

# DM-6120

Serial Number

30000001-30999999

Last updated date

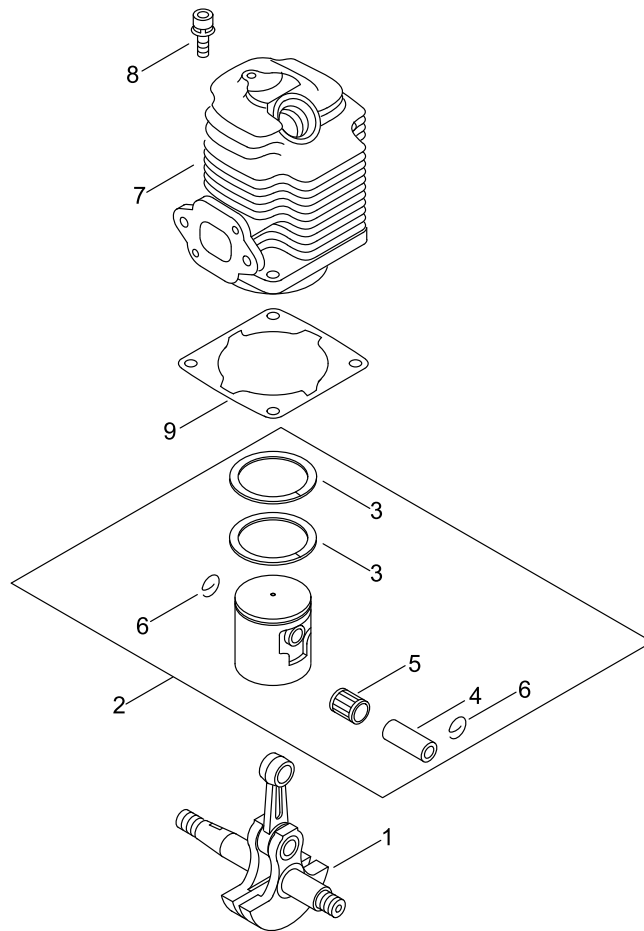
27/Nov/2020

## TABLE OF CONTENTS

---

CYLINDER, PISTON, CRANKSHAFT .....	1
CRANKCASE .....	3
MAGNETO.....	5
AIR CLEANER, CARBURETOR.....	7
CARBURETOR.....	9
FUEL TANK .....	11
MUFFLER.....	13
RECOIL STARTER, PULLY .....	15
FAN CASE .....	17
CHEMICAL TANK .....	19
BACKPACK HARNESS.....	21
THROTTLE LEVER .....	23
PIPE.....	25
ACCESSORIES .....	27
MIST UNIT .....	29

# CYLINDER, PISTON, CRANKSHAFT



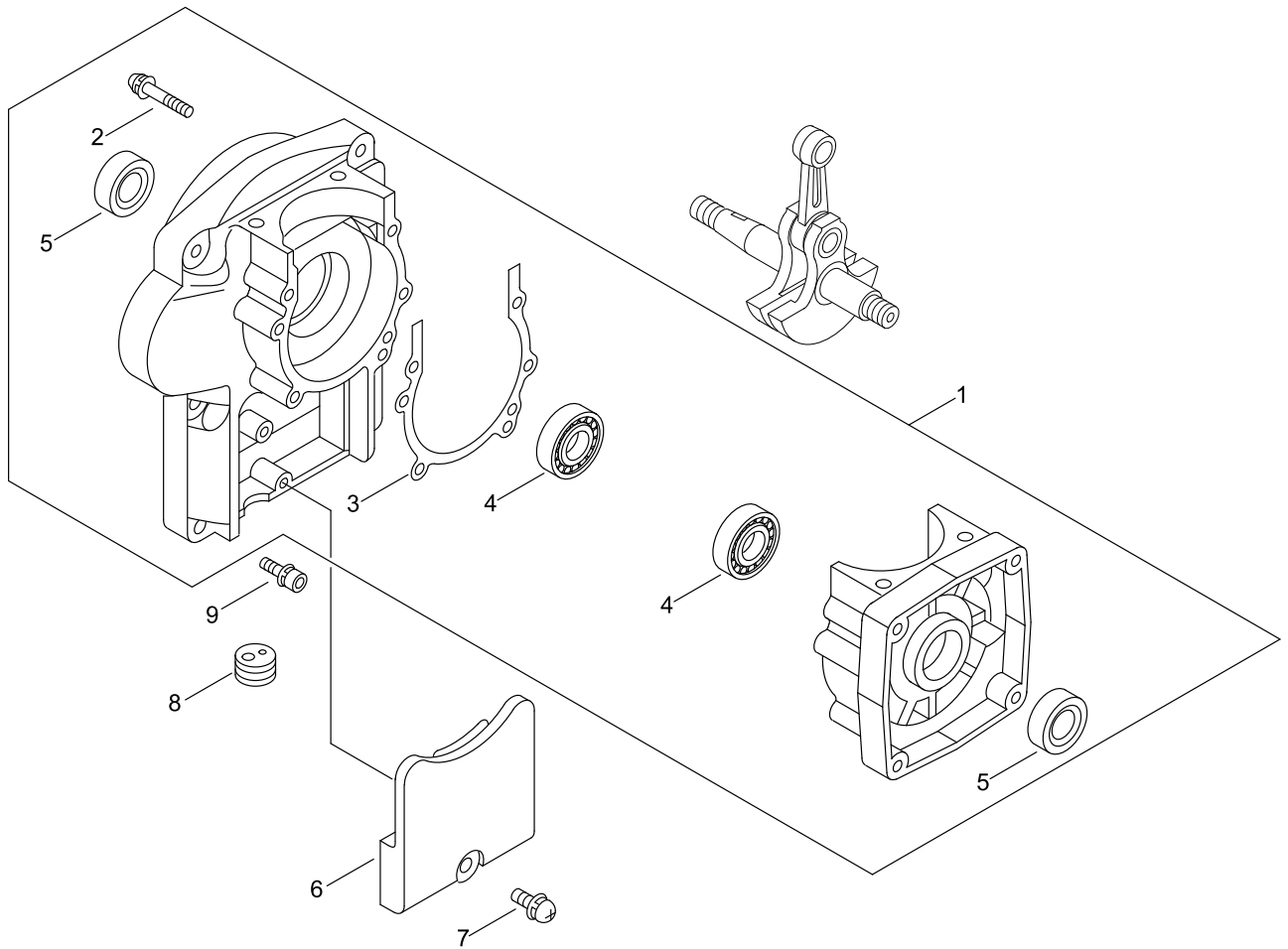
## CYLINDER, PISTON, CRANKSHAFT

Key No.	LV (+)	Parts Number	Parts Description	Qty	Standard	Class
1		100100-06210	CRANKSHAFT ASSY	1		D
2		P021-051580	PISTON KIT	1		
3	+	100011-08360	RING, PISTON	2		B
4	+	100013-06210	PIN, PISTON	1		D
5	+	100012-12330	BEARING, NEEDLE	1		B
6	+	V580-000010	RING,END	2	10	C
7		A130-000310	CYLINDER	1		D
8		900162-05022	BOLT HSH	4	5*22	
9		101010-06211	GASKET, CYL. BASE	1		B

Class : Consumable class

A:Fast moving parts B:Semi-fast moving parts C:Slow moving parts D:Order only as needed

# CRANKCASE



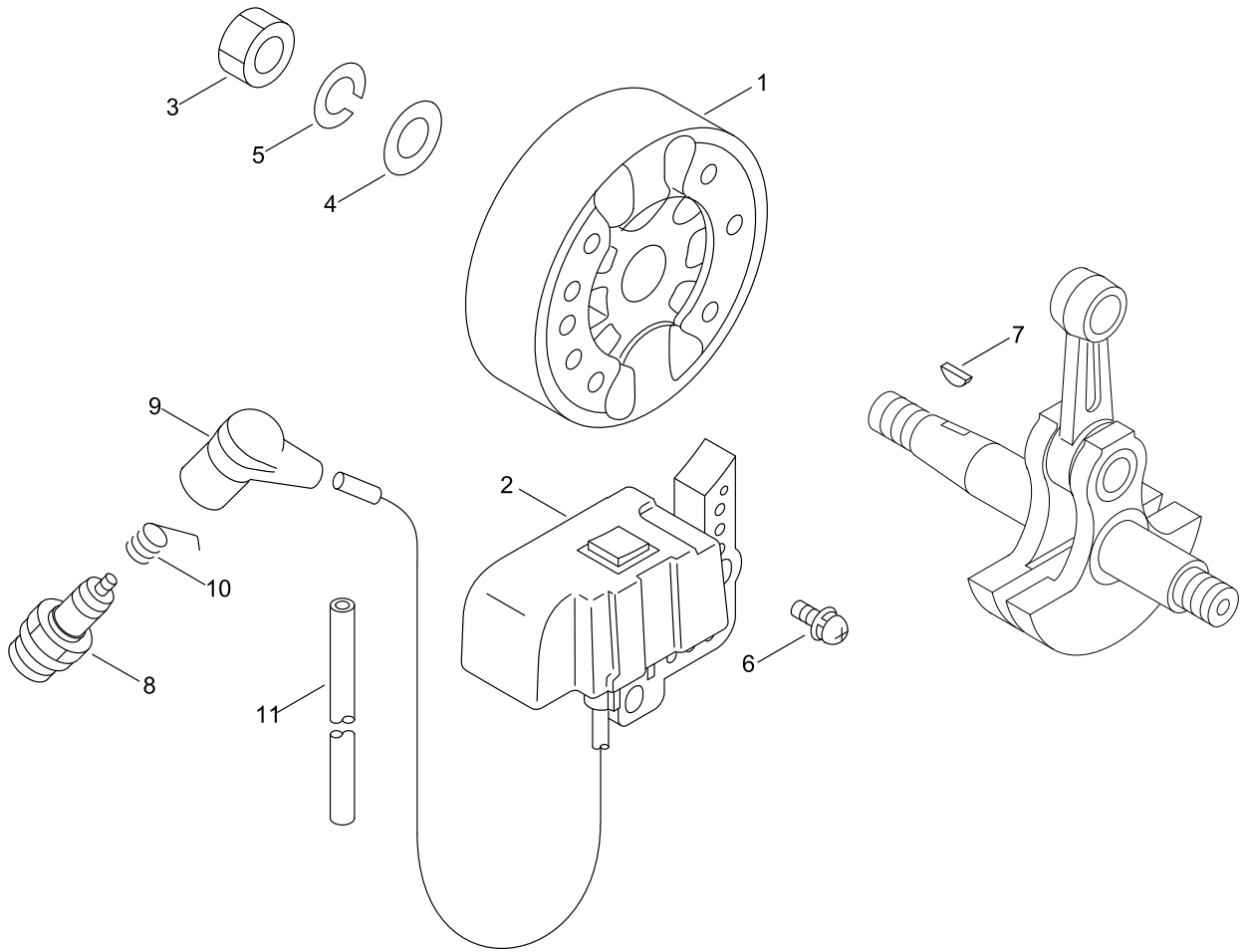
## CRANKCASE

Key No.	LV (+)	Parts Number	Parts Description	Qty	Standard	Class
1		P021-010100	CRANKCASE KIT	1		
2	+	900242-05040	SCREW	4	5*40	
3	+	100242-10721	GASKET, CRANKCASE	1		B
4	+	900810-36202	BEARING, BALL	2	6202	
5	+	100213-00310	OILSEAL	2	ISCD 15 25 7	C
6		159129-08261	COVER, DUST	1		C
7		900238-05018	SCREW	1	5*18	
8		150112-00310	BUSHING	1		C
9		91127-05035	BOLT HSH	6	5*35	

Class : Consumable class

A:Fast moving parts B:Semi-fast moving parts C:Slow moving parts D:Order only as needed

# MAGNETO



## MAGNETO

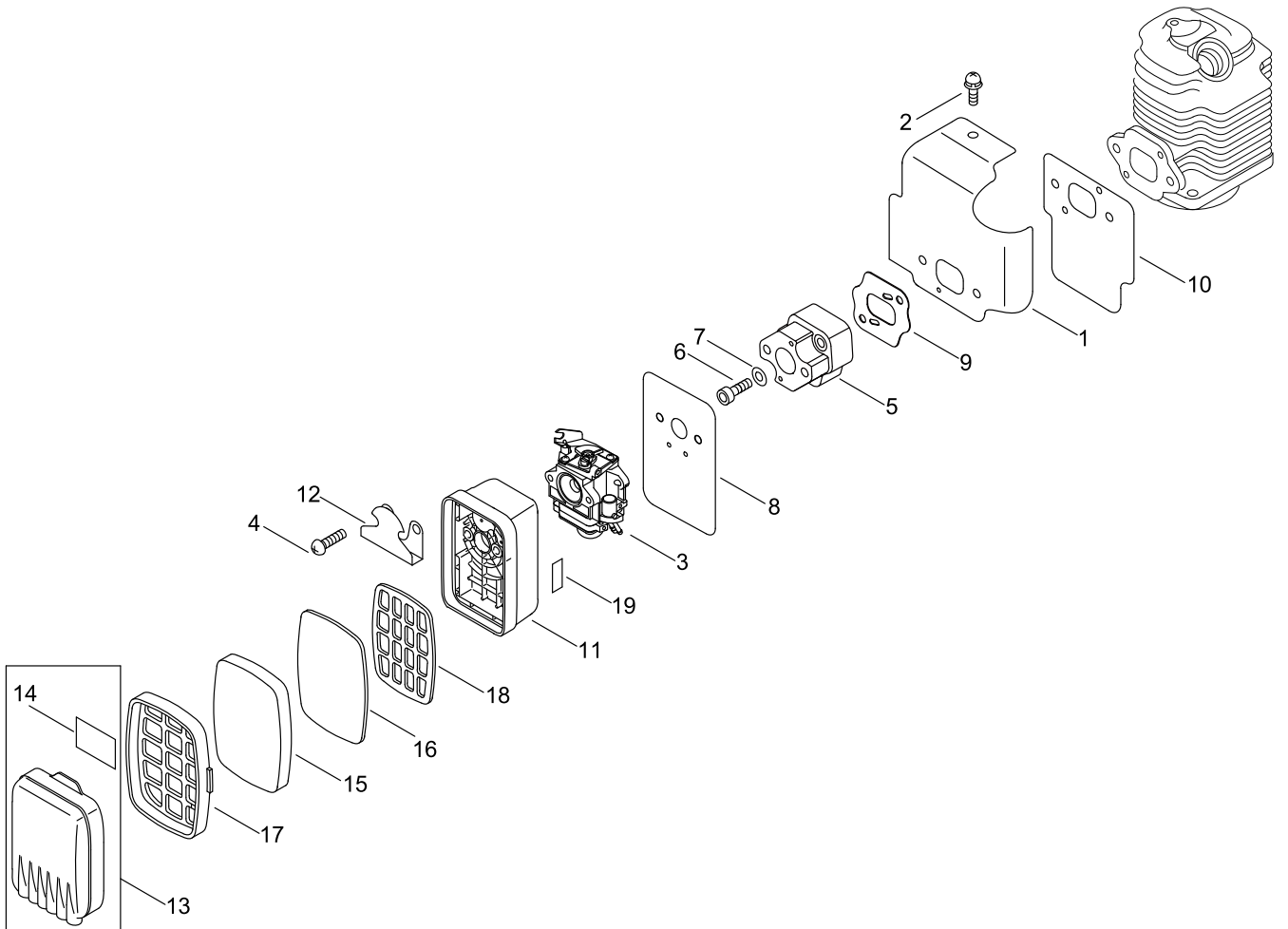
Key No.	LV (+)	Parts Number	Parts Description	Qty	Standard	Class
1		156800-06161	ROTOR, MAGNETO	1		C
2		156601-06212	C.D. IGNITION MODULE	1		C
3		900501-00010	NUT	1	10 P1.25	
4		900602-00010	WASHER	1	10	
5		900605-00010	WASHER, SPRING	1	10	
6		900238-05018	SCREW	2	5*18	
7		900323-03014	KEY, WOODRUFF	1	3*14	
8		159010-19630	PLUG, SPARK (BPM-7Y)	1	BPM-7Y	A
9		159012-03433	CAP, SPARK PLUG	1		C
10		159011-03432	COIL, SPARK PLUG	1		C
11		156611-04260	TUBE	1	6*8*340	C

Class : Consumable class

A:Fast moving parts B:Semi-fast moving parts C:Slow moving parts D:Order only as needed



# AIR CLEANER, CARBURETOR



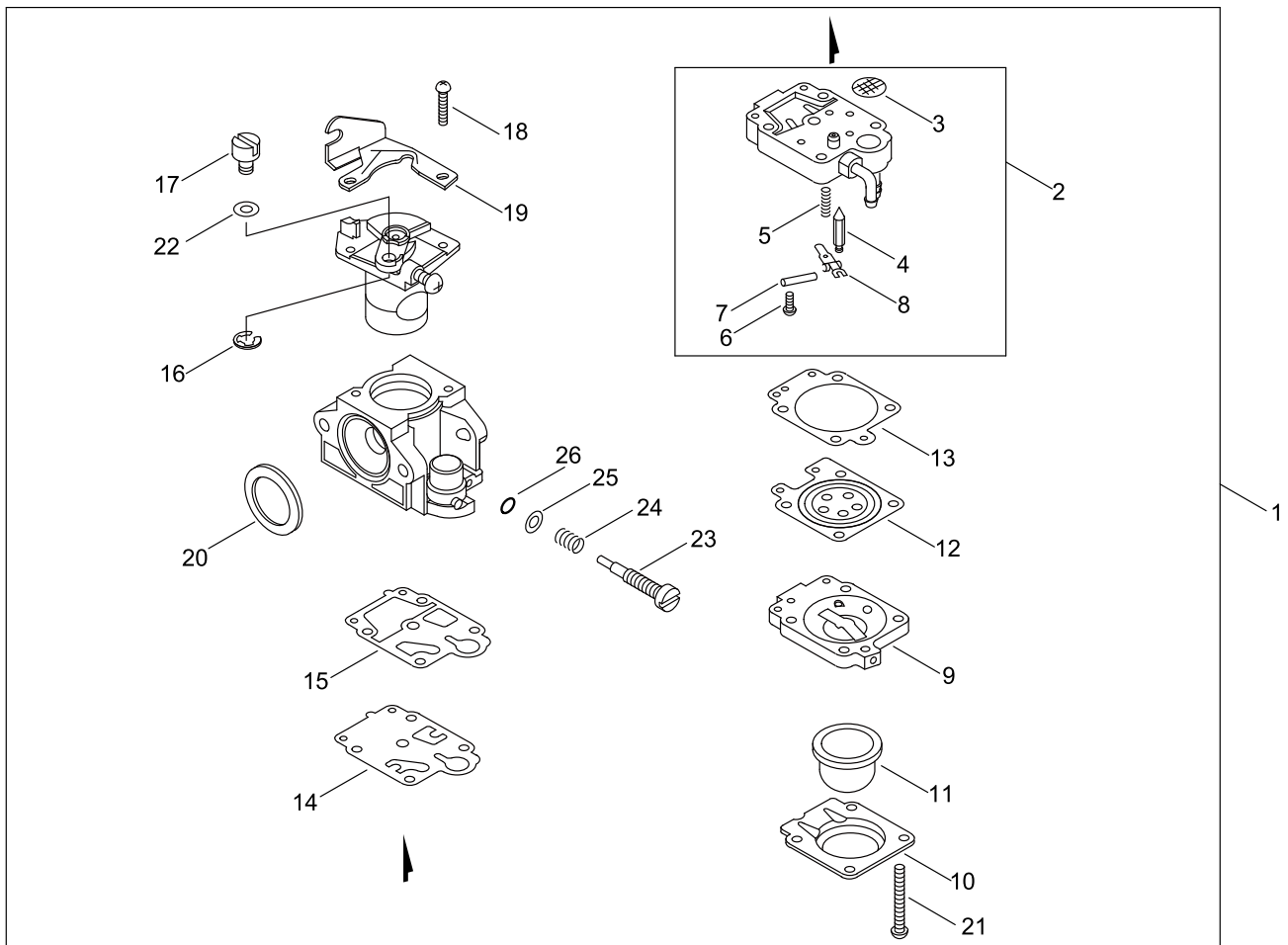
## AIR CLEANER, CARBURETOR

Key No.	LV (+)	Parts Number	Parts Description	Qty	Standard	Class
1		A160-000680	COVER,CYLINDER	1		C
2		900242-05010	SCREW	1	5*10	
3		A021-004620	CARBURETOR,DIAPHRAGM	1	WYK-496	B
4		91331-05060	SCREW	2	5*60	
5		A200-001170	INSULATOR, INTAKE	1		C
6		900105-05030	BOLT HSH	2	5*30	
7		145712-14730	WASHER	2		C
8		V103-001530	GASKET,INTAKE	1		A
9		V103-001520	GASKET,INTAKE	1		A
10		V103-001540	GASKET,INTAKE	1		A
11		P021-038090	CLEANER CASE ASY	1		
12		A244-000020	PLATE,PREVENT	1		C
13		P100-009480	CLEANER COVER ASY	1		
14	+	890187-03710	LABEL, CLEANER	1		D
15		130310-02910	FILTER, AIR	1		A
16		130317-03710	FILTER, AIR	1		A
17		130311-03710	GRID, AIR CLEANER	1		D
18		130319-03710	GRID, AIR CLEANER	1		D
19		890121-65830	LABEL, CHOKE	1		D

Class : Consumable class

A:Fast moving parts B:Semi-fast moving parts C:Slow moving parts D:Order only as needed

# CARBURETOR



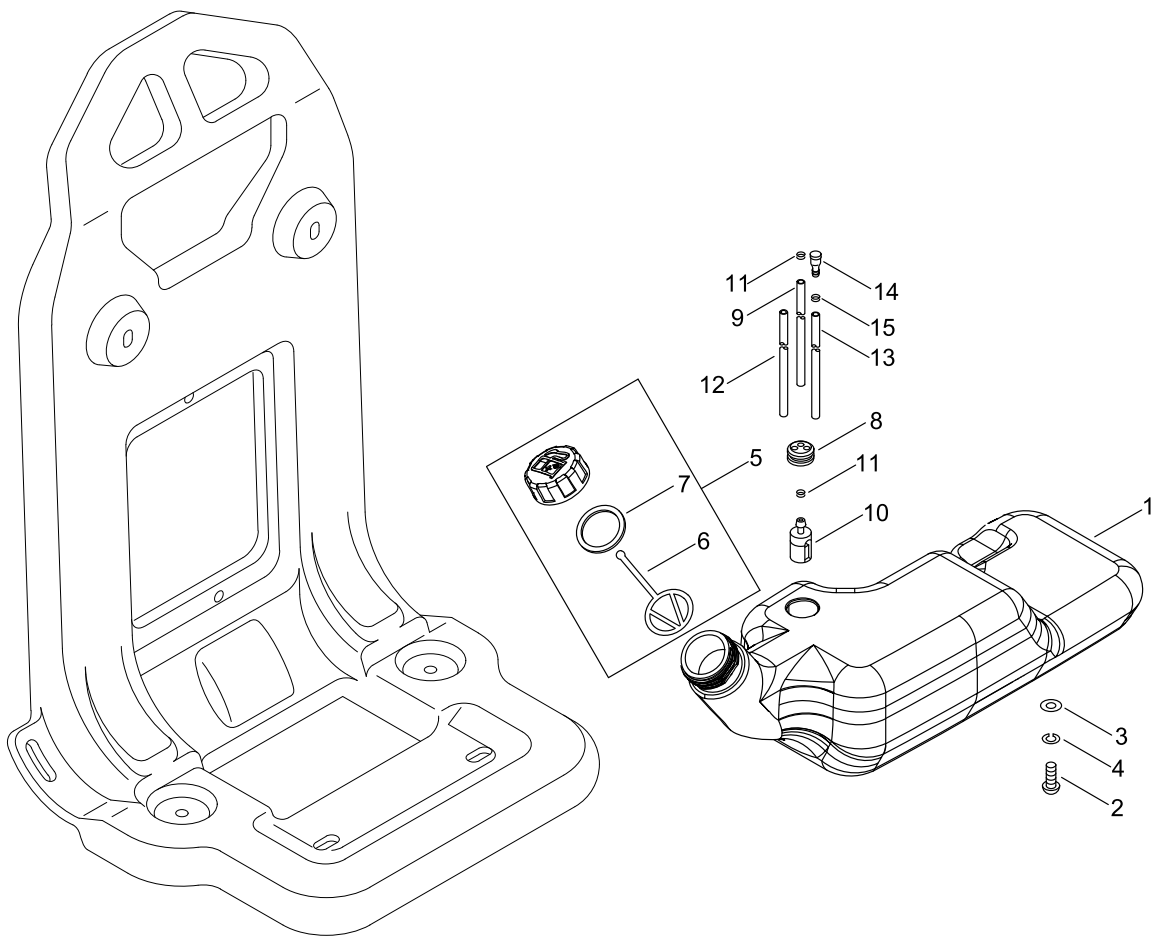
## CARBURETOR

Key No.	LV (+)	Parts Number	Parts Description	Qty	Standard	Class
1		A021-004620	CARBURETOR,DIAPHRAGM	1	WYK-496	B
2	+	P003-005910	BODY ASSEMBLY, PUMP	1		
3	++	123126-10631	SCREEN, INLET	1		
4	++	123137-19830	VALVE, INLET NEEDLE	1		
5	++	123122-05560	SPRING, METER. LEVER	1		
6	++	P003-005510	SCREW	1		
7	++	123138-03930	PIN, METERING LEVER	1		
8	++	123123-03930	LEVER, METERING	1		
9	+	123180-05560	BODY, AIR PURGE	1		
10	+	123142-05560	COVER, PRIMER PUMP	1		
11	+	123181-40630	PUMP, PRIMER	1		
12	+	P003-001850	DIAPHRAGM, METERING	1		
13	+	123140-05560	GASKET, M. DIAPHRAGM	1		
14	+	123112-40630	DIAPHRAGM, PUMP	1		
15	+	P003-000100	GASKET, PUMP	1		
16	+	123173-07930	CLIP	1		
17	+	123172-45130	SWIVEL	1		C
18	+	123114-40630	SCREW	2		
19	+	P003-000180	BRACKET CABLE	1		
20	+	123143-12110	RING, PACKING	1		
21	+	123110-05560	SCREW, PUMP COVER	4		
22	+	123149-54230	WASHER	1		C
23	+	P003-005930	NEEDLE	1		D
24	+	123121-22130	SPRING, NEEDLE	1		
25	+	123174-54230	WASHER, CHECK VALVE	1		
26	+	123183-54230	O-RING	1		

Class : Consumable class

A:Fast moving parts B:Semi-fast moving parts C:Slow moving parts D:Order only as needed

# FUEL TANK



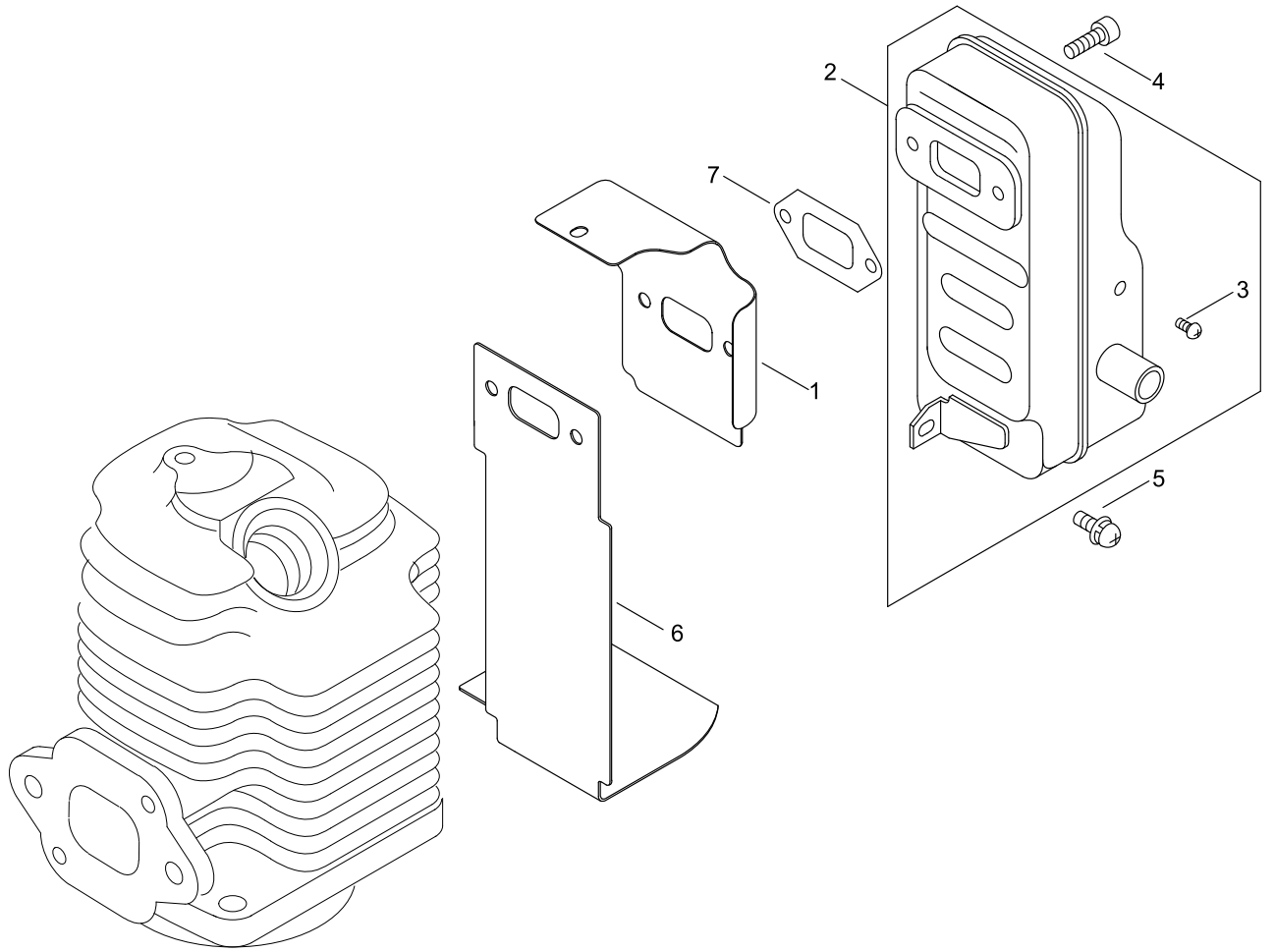
## FUEL TANK

Key No.	LV (+)	Parts Number	Parts Description	Qty	Standard	Class
1		A350-001910	TANK, FUEL	1		C
2		900220-06014	SCREW	2	6*14	
3		145642-00760	WASHER 6.5*18*1.6	2	6.5*18*1.6	C
4		900605-00006	WASHER, SPRING	2	6	
5		P021-014061	CAP,FUER ASSY	1		
6	+	131051-56030	CLIP, FUEL CAP	1	100L	B
7	+	V107-000190	GASKET,FUEL CAP	1	37.9* T 2.2	A
8		132115-55931	GROMMET, FUEL	1	3 φ5	C
9		V471-000771	PIPE	1	3X6X280	C
10		A369-000440	STRAINER, FUEL	1	125-952	A
11		V490-001230	CLIP	2		C
12		V471-000550	PIPE	1	3*6*145	C
13		132010-56031	PIPE	1	3*6*110	C
14		A356-000031	VALVE,CHECK	1		B
15		132013-05060	CLIP, PIPE	1		C

Class : Consumable class

A:Fast moving parts B:Semi-fast moving parts C:Slow moving parts D:Order only as needed

# MUFFLER



## MUFFLER

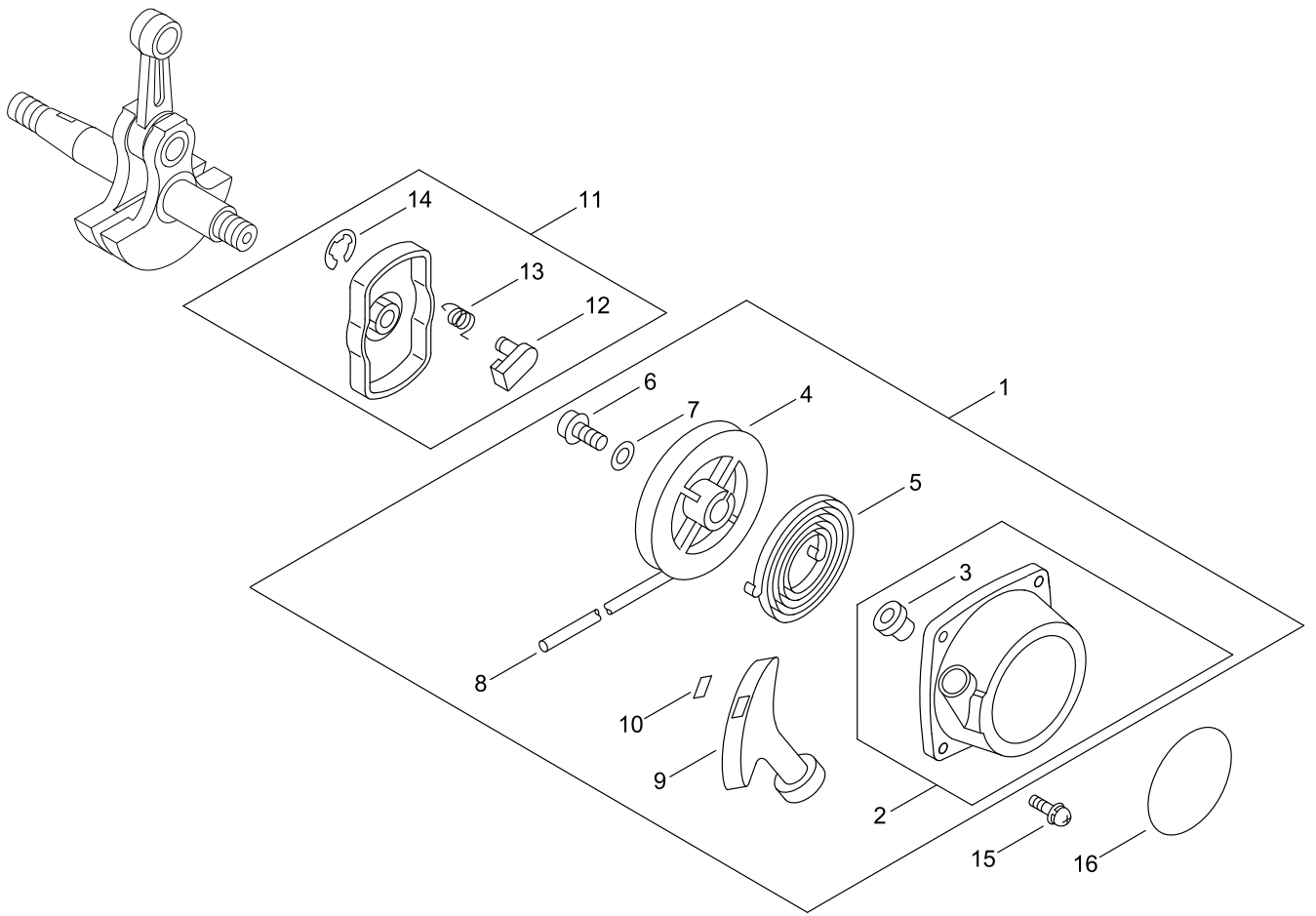
Key No.	LV (+)	Parts Number	Parts Description	Qty	Standard	Class
1		101514-06210	COVER, CYLINDER	1		C
2		P021-051590	MUFFLER ASY	1		
3	+	900220-04006	SCREW	1	4*6	
4		900105-06020	BOLT HSH	2	6*20	
5		900242-05014	SCREW	1	5*14	
6		V104-002320	GASKET,EXHAUST	1	NP9800	A
7		145510-06211	GASKET, MUFFLER	1		A

Class : Consumable class

A:Fast moving parts B:Semi-fast moving parts C:Slow moving parts D:Order only as needed



# RECOIL STARTER, PULLY



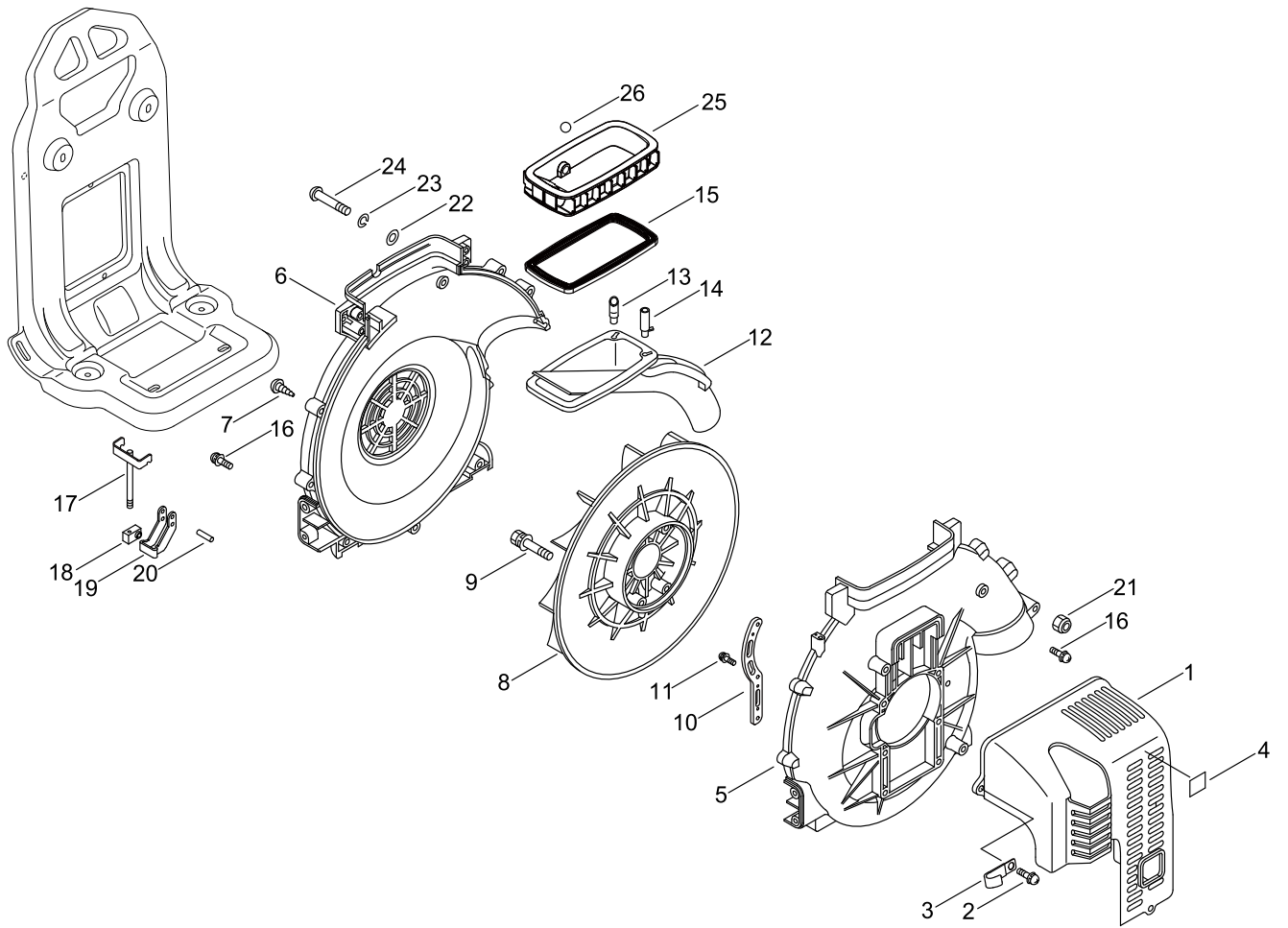
## RECOIL STARTER, PULLY

Key No.	LV (+)	Parts Number	Parts Description	Qty	Standard	Class
1		177200-06210	STARTER ASSY	1		B
2	+	P022-043970	CASE, STARTER	1		
3	++	177227-42030	GUIDE, ROPE	1		C
4	+	177215-11120	DRUM, STARTER	1		
5	+	177220-11120	REWIND SPRING	1		
6	+	177236-40630	SCREW	1		
7	+	P022-022280	WASHER	1		
8	+	177226-11120	ROPE, STARTER	1	3.8*1400	
9	+	177228-11120	GRIP, STARTER	1	3フィセット	
10	+	P022-037670	STOPPER, ROPE	1		
11		177202-06210	PAWL ASSY, STARTER	1		C
12	+	A514-000120	RACHET	1		C
13	+	177234-40630	SPRING, RETURN	1		
14	+	P022-002100	E-RING	1	4	
15		900292-04018	SCREW	4	4*18	
16		X502-000780	LABEL,ECHO	1		D

Class : Consumable class

A:Fast moving parts B:Semi-fast moving parts C:Slow moving parts D:Order only as needed

# FAN CASE



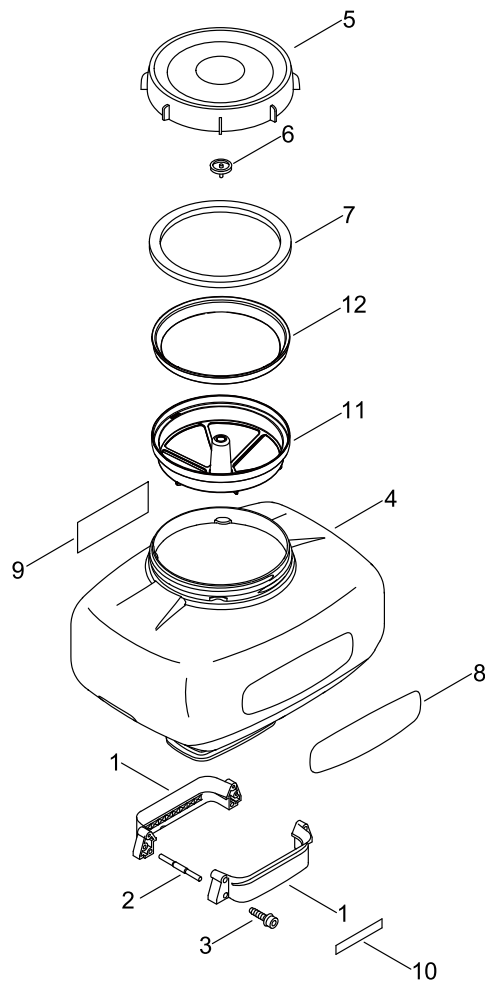
## FAN CASE

Key No.	LV (+)	Parts Number	Parts Description	Qty	Standard	Class
1		A190-000500	COVER,ENGINE	1		C
2		900292-05020	SCREW	3	5*20	
3		159116-21231	CLAMP	1		C
4		X505-002310	LABEL,CAUTION	1	HOT CAUTION	D
5		E103-001430	CASE,FAN	1		C
6		E103-001420	CASE,FAN	1	CASE,FAN	C
7		900286-05025	SCREW, TAPPING	11	5*25	
8		200005-06210	FAN	1		C
9		900148-05035	BOLT	4	5*35	
10		C632-000240	PLATE, ENG	2		C
11		900238-04010	SCREW	2	4*10	
12		P100-008110	PIPE, DUSTER	1		
13		370321-06210	GUIDE,AIR	1		C
14		370316-06210	GUIDE, AIR	1		C
15		270018-06210	PACKING	1		A
16		900292-05014	SCREW	4	5*14	
17		250915-06310	BOLT, TANK HOLDER	2		C
18		250930-06210	CONNECTOR, BRACKET	2		C
19		250932-06210	BRACKET, TANK	2		C
20		V625-000010	PIN,STRAIGHT 7	2	7*37	C
21		900562-50005	NUT, LOCK	2	5	
22		900604-00005	WASHER	2	5	
23		900609-00005	WASHER, SPRING	2	5	
24		210425-04110	BOLT	2		C
25		270010-06212	TANK, LOWER	1		C
26		V162-000720	PLUG	1		C

Class : Consumable class

A:Fast moving parts B:Semi-fast moving parts C:Slow moving parts D:Order only as needed

# CHEMICAL TANK



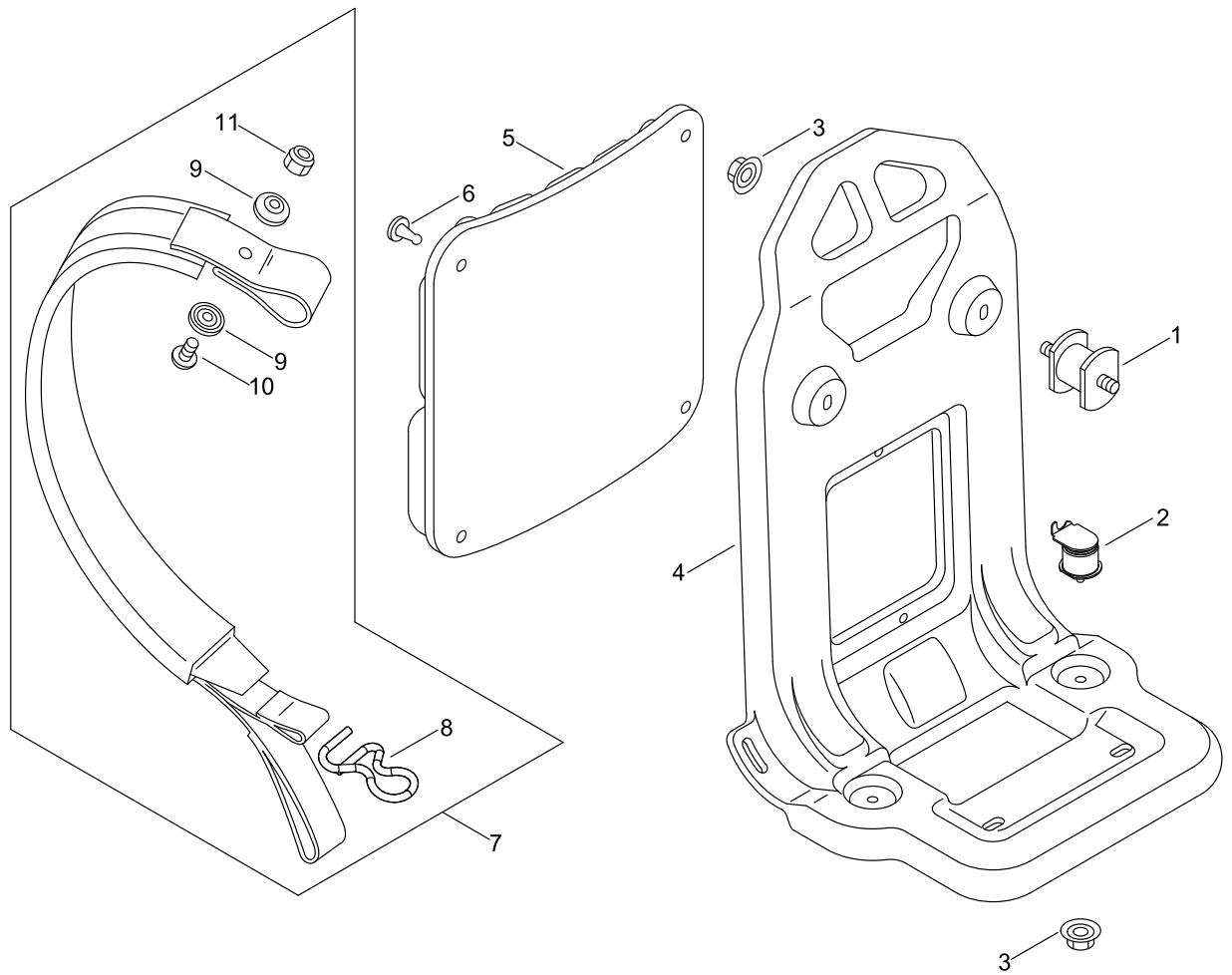
## CHEMICAL TANK

Key No.	LV (+)	Parts Number	Parts Description	Qty	Standard	Class
1		E115-000060	FIXTURE,TANK	2		C
2		250914-06210	PIN, TANK HOLDER	2		C
3		91148-05035	BOLT, TAPPING	4	5*35	
4		250017-08013	TANK, CHEMICAL	1	23 L	C
5		250012-05610	CAP, CHEMICAL TANK	1		B
6		250013-00310	CAP, INSIDE	1		C
7		250011-02011	PACKING	1		B
8		X502-000440	LABEL,ECHO	1		D
9		890160-09461	LABEL, CAUTION	1		D
10		X503-013870	LABEL,MODEL	1	DM-6120 LA	D
11		E220-000030	FILTER,TANK	1		C
12		E220-000040	FILTER,TANK	1		C

Class : Consumable class

A:Fast moving parts B:Semi-fast moving parts C:Slow moving parts D:Order only as needed

# BACKPACK HARNESS



## BACKPACK HARNESS

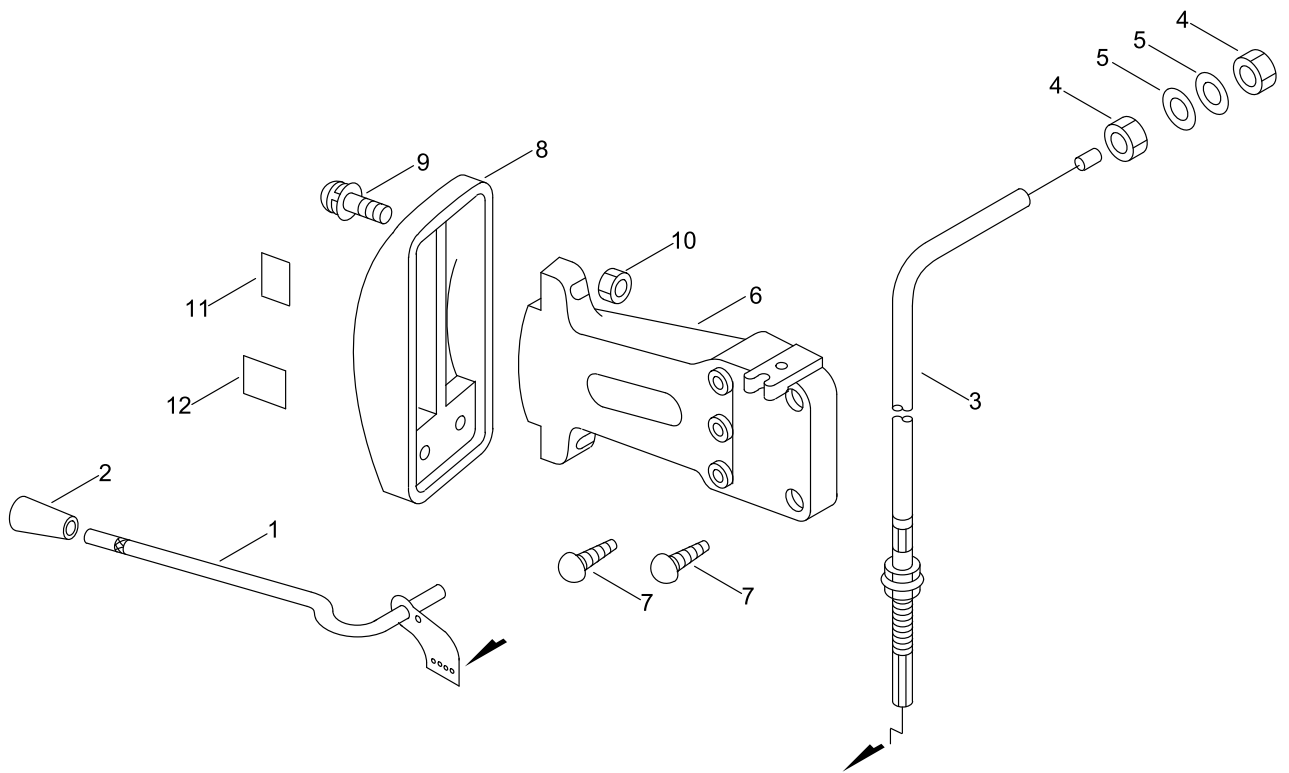
Key No.	LV (+)	Parts Number	Parts Description	Qty	Standard	Class
1		200910-06210	CUSHION	2		B
2		V402-000100	CUSHION,6	2		B
3		250916-06210	NUT	4		C
4		C620-000500	FRAME, BACKPACK	1		C
5		300111-14010	CUSHION, KNAPSACK	1		C
6		300333-06160	CLIP	4		C
7		P021-041100	HARNESS,ASM BACKPACK	2		
8	+	C646-000120	RING, HARNESS	2		C
9	+	300328-03210	WASHER, HARNESS	4		C
10	+	900216-05016	SCREW	2	5*16	
11		900560-00005	NUT, LOCK	2	5	

Class : Consumable class

A:Fast moving parts B:Semi-fast moving parts C:Slow moving parts D:Order only as needed



# THROTTLE LEVER



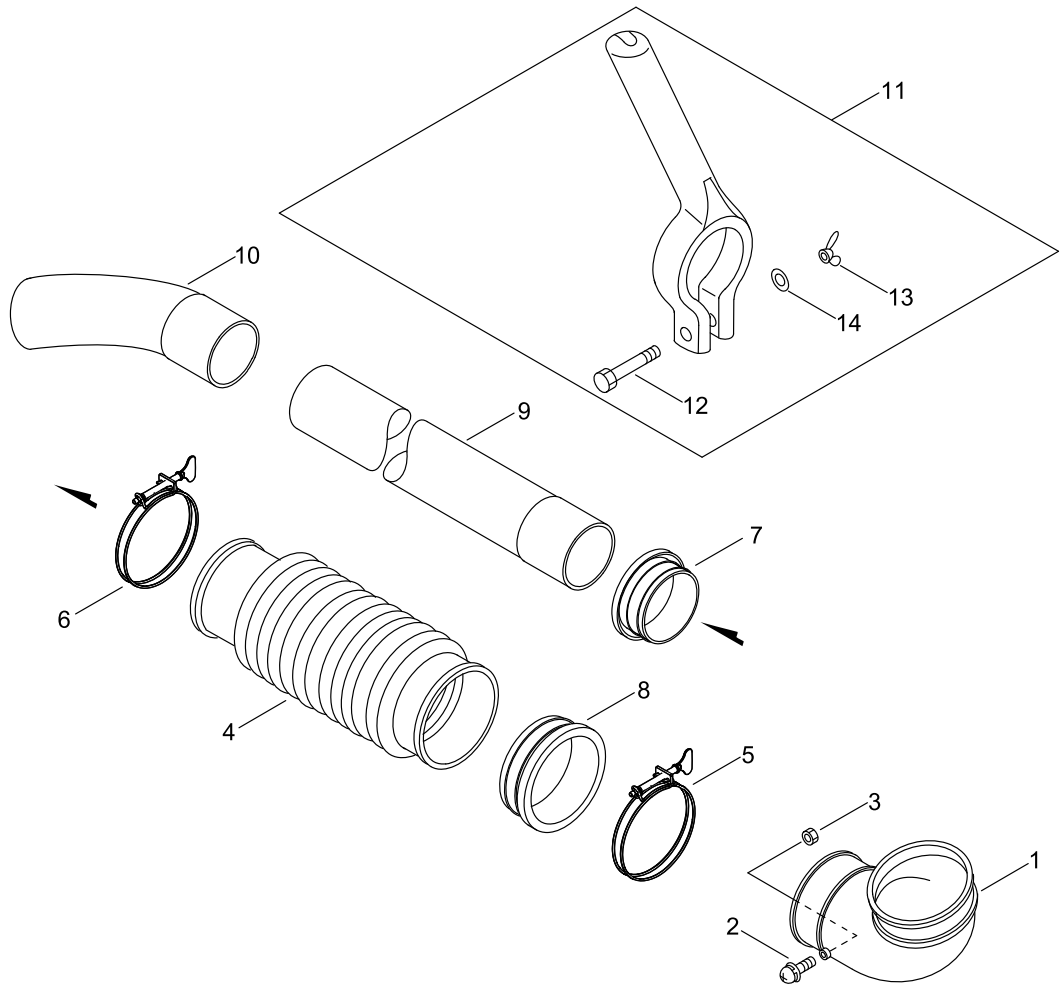
## THROTTLE LEVER

Key No.	LV (+)	Parts Number	Parts Description	Qty	Standard	Class
1		C453-000131	LEVER,THROTTLE	1		C
2		E151-000010	KNOB,LEVER	1		C
3		V430-001330	CABLE,BOWDEN	1		B
4		900503-00006	NUT	2	6 P0.75	
5		900600-00006	WASHER	2	6	
6		701112-06414	BRACKET, DIAL	1		C
7		900286-05025	SCREW, TAPPING	4	5*25	
8		E150-000041	DIAL,METERING	1		C
9		900292-05025	SCREW	2	5*25	
10		900504-00005	NUT	2	5	
11		890348-05060	LABEL, SPEED	1		D
12		890157-39131	LABEL, SWITCH	1		D

Class : Consumable class

A:Fast moving parts B:Semi-fast moving parts C:Slow moving parts D:Order only as needed

# PIPE



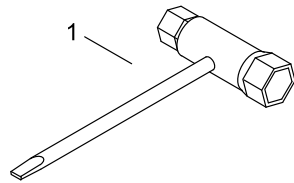
## PIPE

Key No.	LV (+)	Parts Number	Parts Description	Qty	Standard	Class
1		210011-05510	ELBOW, BLOWING	1		B
2		900242-05014	SCREW	1	5*14	
3		900500-00005	NUT	1	5	
4		210013-04112	PIPE, FLEXIBLE	1		B
5		V495-001201	BAND	1		C
6		V495-001171	BAND	1		C
7		210032-04110	PACKING, FLX. PIPE	1		B
8		210036-04110	GASKET, FLX. PIPE	1		B
9		E165-000600	PIPE,BLOWER	1		B
10		210023-01060	PIPE, CURVED (BL)	1		B
11		C040-000020	HANDLE,FRONT	1		C
12	+	900100-06045	BOLT	1	6*45	
13	+	900525-00006	NUT, WING	1	6	
14	+	900600-00006	WASHER	1	6	

Class : Consumable class

A:Fast moving parts B:Semi-fast moving parts C:Slow moving parts D:Order only as needed

# ACCESSORIES



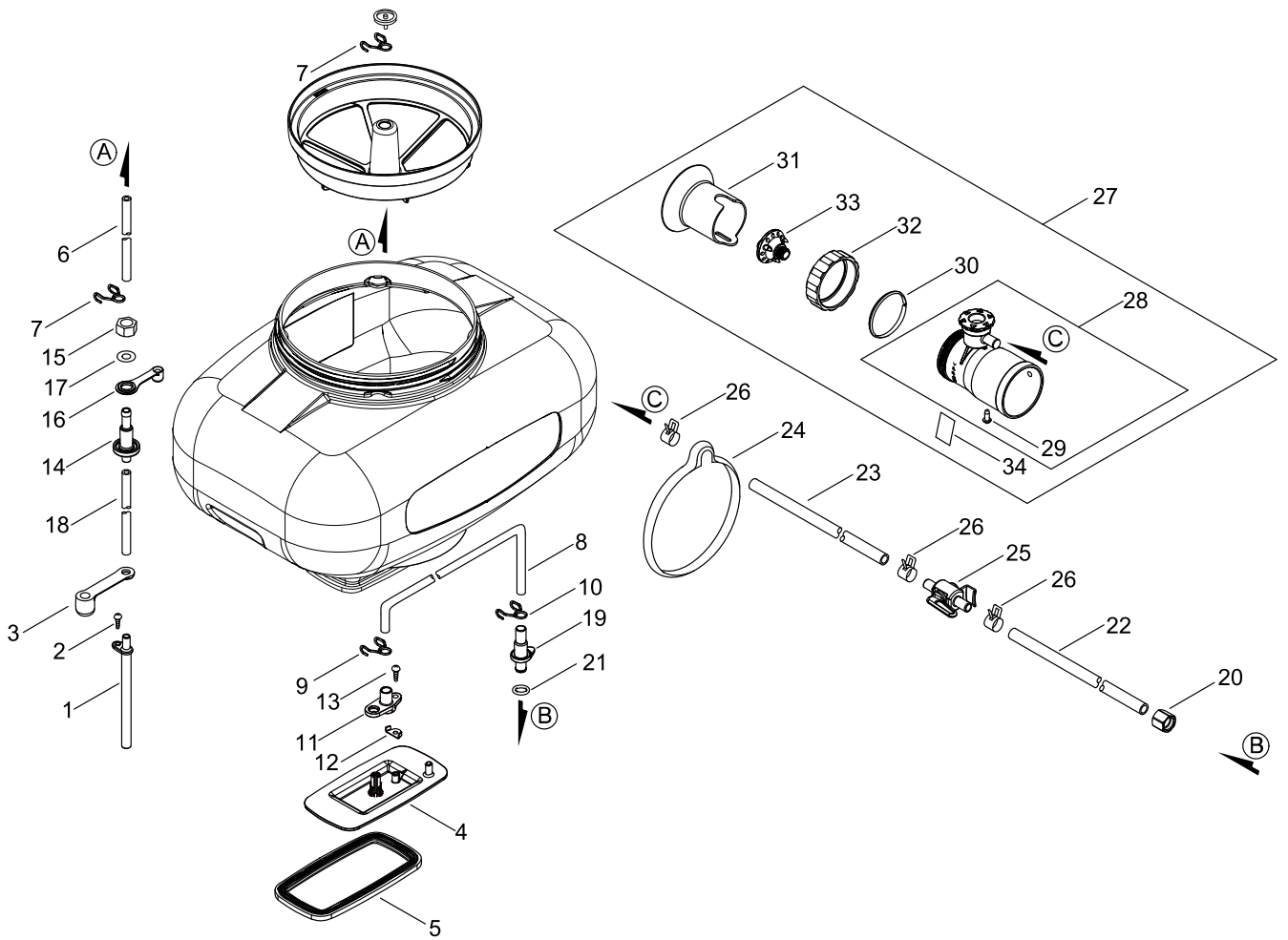
## ACCESSORIES

Key No.	LV (+)	Parts Number	Parts Description	Qty	Standard	Class
1		X602-000020	TOOL,WRENCH	1	17*19 L200	D

Class : Consumable class

A:Fast moving parts B:Semi-fast moving parts C:Slow moving parts D:Order only as needed

# MIST UNIT



## MIST UNIT

Key No.	LV (+)	Parts Number	Parts Description	Qty	Standard	Class
1		E105-000001	PIPE,AIR	1		B
2		900286-05016	SCREW, TAPPING	1	5*16	
3		363021-01110	PLUG	1		B
4		253010-08013	PLATE, TANK BOTTOM	1		C
5		E137-000021	PACKING,SHUTTER	1		B
6		363014-03210	PIPE (INNER)	1	7*11*500BL	C
7		V490-001410	CLIP	2	10.5	C
8		V471-005130	PIPE	1	10*15.0*350	C
9		V490-001540	CLIP	1	15.8	C
10		V490-001550	CLIP	1	14.5	C
11		E230-000190	NIPPLE,HOSE	1		C
12		V150-004300	PLATE,EYE	1		C
13		91428-05015	SCREW, TAPPING	1	5*15	
14		363017-00310	CONNECTOR, PIPE	1		C
15		363019-00310	NUT, CONNECTOR	1		C
16		363022-00510	PLUG	1		B
17		V309-000170	WASHER,CIRCULAR 12	1	12.5X18X1.0	C
18		363011-00210	PIPE, AIR (OUTER)	1		C
19		357010-01110	NIPPLE, OUTLET	1		C
20		357015-01110	NUT, HOLLOW	1		C
21		357014-01110	O-RING	1	3*13	A
22		357032-01110	PIPE (L-720)	1	9*13*720	C
23		V471-005050	PIPE	1		C
24		357911-00111	CLIP, PIPE	1		C
25		358100-01113	COCK,LIQUID	1	リキット`コック ASSY	C
26		V495-000310	BAND	3		C
27		E024-000020	HEAD,BLOW	1		C
28	+	P100-001820	HEAD,BLOW	1		
29	++	900246-05012	SCREW, TAPPING	1	5*12	
30	+	212513-01110	RING, MISTING NOZZLE	1		C
31	+	212515-01110	COLLAR, NOZZLE	1		C
32	+	212514-01110	NUT, MISTING NOZZLE	1		C
33	+	P021-051600	NOZZLE	1		
34	+	890031-01110	LABEL, MIST	1		D

Class : Consumable class

A:Fast moving parts B:Semi-fast moving parts C:Slow moving parts D:Order only as needed



# NUMERICAL PARTS INDEX

Part No	Part description	Page	Part No	Part description	Page	Part No	Part description	Page
100011-08360	RING, PISTON	2	159116-21231	CLAMP	18	363017-00310	CONNECTOR, PIPE	30
100012-12330	BEARING, NEEDLE	2	159129-08261	COVER, DUST	4	363019-00310	NUT, CONNECTOR	30
100013-06210	PIN, PISTON	2	177200-06210	STARTER ASSY	16	363021-01110	PLUG	30
100100-06210	CRANKSHAFT ASSY	2	177202-06210	PAWL ASSY, STARTER	16	363022-00510	PLUG	30
100213-00310	OILSEAL	4	177215-11120	DRUM, STARTER	16	370316-06210	GUIDE, AIR	18
100242-10721	GASKET, CRANKCASE	4	177220-11120	REWIND SPRING	16	370321-06210	GUIDE,AIR	18
101010-06211	GASKET, CYL. BASE	2	177226-11120	ROPE, STARTER	16	701112-06414	BRACKET, DIAL	24
101514-06210	COVER, CYLINDER	14	177227-42030	GUIDE, ROPE	16	890031-01110	LABEL, MIST	30
123110-05560	SCREW, PUMP COVER	10	177228-11120	GRIP, STARTER	16	890121-65830	LABEL, CHOKE	8
123112-40630	DIAPHRAGM, PUMP	10	177234-40630	SPRING, RETURN	16	890157-39131	LABEL, SWITCH	24
123114-40630	SCREW	10	177236-40630	SCREW	16	890160-09461	LABEL, CAUTION	20
123121-22130	SPRING, NEEDLE	10	200005-06210	FAN	18	890187-03710	LABEL, CLEANER	8
123122-05560	SPRING, METER. LEVER	10	200910-06210	CUSHION	22	890348-05060	LABEL, SPEED	24
123123-03930	LEVER, METERING	10	210011-05510	ELBOW, BLOWING	26	900100-06045	BOLT	26
123126-10631	SCREEN, INLET	10	210013-04112	PIPE, FLEXIBLE	26	900105-05030	BOLT HSH	8
123137-19830	VALVE, INLET NEEDLE	10	210023-01060	PIPE, CURVED (BL)	26	900105-06020	BOLT HSH	14
123138-03930	PIN, METERING LEVER	10	210032-04110	PACKING, FLX. PIPE	26	900148-05035	BOLT	18
123140-05560	GASKET, M. DIAPHRAGM	10	210036-04110	GASKET, FLX. PIPE	26	900162-05022	BOLT HSH	2
123142-05560	COVER, PRIMER PUMP	10	210425-04110	BOLT	18	900216-05016	SCREW	22
123143-12110	RING, PACKING	10	212513-01110	RING, MISTING NOZZLE	30	900220-04006	SCREW	14
123149-54230	WASHER	10	212514-01110	NUT, MISTING NOZZLE	30	900220-06014	SCREW	12
123172-45130	SWIVEL	10	212515-01110	COLLAR, NOZZLE	30	900238-04010	SCREW	18
123173-07930	CLIP	10	250011-02011	PACKING	20	900238-05018	SCREW	4
123174-54230	WASHER, CHECK VALVE	10	250012-05610	CAP, CHEMICAL TANK	20	900238-05018	SCREW	6
123180-05560	BODY, AIR PURGE	10	250013-00310	CAP, INSIDE	20	900242-05010	SCREW	8
123181-40630	PUMP, PRIMER	10	250017-08013	TANK, CHEMICAL	20	900242-05014	SCREW	14
123183-54230	O-RING	10	250914-06210	PIN, TANK HOLDER	20	900242-05014	SCREW	26
130310-02910	FILTER, AIR	8	250915-06310	BOLT, TANK HOLDER	18	900242-05040	SCREW	4
130311-03710	GRID, AIR CLEANER	8	250916-06210	NUT	22	900246-05012	SCREW, TAPPING	30
130317-03710	FILTER, AIR	8	250930-06210	CONNECTOR, BRACKET	18	900286-05016	SCREW, TAPPING	30
130319-03710	GRID, AIR CLEANER	8	250932-06210	BRACKET, TANK	18	900286-05025	SCREW, TAPPING	18
131051-56030	CLIP, FUEL CAP	12	253010-08013	PLATE, TANK BOTTOM	30	900286-05025	SCREW, TAPPING	24
132010-56031	PIPE	12	270010-06212	TANK, LOWER	18	900292-04018	SCREW	16
132013-05060	CLIP, PIPE	12	270018-06210	PACKING	18	900292-05014	SCREW	18
132115-55931	GROMMET, FUEL	12	300111-14010	CUSHION, KNAPSACK	22	900292-05020	SCREW	18
145510-06211	GASKET, MUFFLER	14	300328-03210	WASHER, HARNESS	22	900292-05025	SCREW	24
145642-00760	WASHER 6.5*18*1.6	12	300333-06160	CLIP	22	900323-03014	KEY, WOODRUFF	6
145712-14730	WASHER	8	357010-01110	NIPPLE, OUTLET	30	900500-00005	NUT	26
150112-00310	BUSHING	4	357014-01110	O-RING	30	900501-00010	NUT	6
156601-06212	C.D. IGNITION MODULE	6	357015-01110	NUT, HOLLOW	30	900503-00006	NUT	24
156611-04260	TUBE	6	357032-01110	PIPE (L-720)	30	900504-00005	NUT	24
156800-06161	ROTOR, MAGNETO	6	357911-00111	CLIP, PIPE	30	900525-00006	NUT, WING	26
159010-19630	PLUG, SPARK (BPM-7Y)	6	358100-01113	COCK,LIQUID	30	900560-00005	NUT, LOCK	22
159011-03432	COIL, SPARK PLUG	6	363011-00210	PIPE, AIR (OUTER)	30	900562-50005	NUT, LOCK	18
159012-03433	CAP, SPARK PLUG	6	363014-03210	PIPE (INNER)	30	900600-00006	WASHER	24

# NUMERICAL PARTS INDEX

Part No	Part description	Page	Part No	Part description	Page
900600-00006	WASHER	26	P003-005930	NEEDLE	10
900602-00010	WASHER	6	P021-010100	CRANKCASE KIT	4
900604-00005	WASHER	18	P021-014061	CAP,FUER ASSY	12
900605-00006	WASHER, SPRING	12	P021-038090	CLEANER CASE ASY	8
900605-00010	WASHER, SPRING	6	P021-041100	HARNESS,ASM BACKPACK	22
900609-00005	WASHER, SPRING	18	P021-051580	PISTON KIT	2
900810-36202	BEARING, BALL	4	P021-051590	MUFFLER ASY	14
91127-05035	BOLT HSH	4	P021-051600	NOZZLE	30
91148-05035	BOLT, TAPPING	20	P022-002100	E-RING	16
91331-05060	SCREW	8	P022-022280	WASHER	16
91428-05015	SCREW, TAPPING	30	P022-037670	STOPPER, ROPE	16
A021-004620	CARBURETOR, DIAPHRAGM	8	P022-043970	CASE, STARTER	16
A021-004620	CARBURETOR, DIAPHRAGM	10	P100-001820	HEAD,BLOW	30
A130-000310	CYLINDER	2	P100-008110	PIPE, DUSTER	18
A160-000680	COVER,CYLINDER	8	P100-009480	CLEANER COVER ASY	8
A190-000500	COVER,ENGINE	18	V103-001520	GASKET,INTAKE	8
A200-001170	INSULATOR, INTAKE	8	V103-001530	GASKET,INTAKE	8
A244-000020	PLATE,PREVENT	8	V103-001540	GASKET,INTAKE	8
A350-001910	TANK, FUEL	12	V104-002320	GASKET,EXHAUST	14
A356-000031	VALVE,CHECK	12	V107-000190	GASKET,FUEL CAP	12
A369-000440	STRAINER, FUEL	12	V150-004300	PLATE,EYE	30
A514-000120	RACHET	16	V162-000720	PLUG	18
C040-000020	HANDLE,FRONT	26	V309-000170	WASHER,CIRCULAR 12	30
C453-000131	LEVER,THROTTLE	24	V402-000100	CUSHION,6	22
C620-000500	FRAME, BACKPACK	22	V430-001330	CABLE,BOWDEN	24
C632-000240	PLATE, ENG	18	V471-000550	PIPE	12
C646-000120	RING, HARNESS	22	V471-000771	PIPE	12
E024-000020	HEAD,BLOW	30	V471-005050	PIPE	30
E103-001420	CASE,FAN	18	V471-005130	PIPE	30
E103-001430	CASE,FAN	18	V490-001230	CLIP	12
E105-000001	PIPE,AIR	30	V490-001410	CLIP	30
E115-000060	FIXTURE,TANK	20	V490-001540	CLIP	30
E137-000021	PACKING,SHUTTER	30	V490-001550	CLIP	30
E150-000041	DIAL,METERING	24	V495-000310	BAND	30
E151-000010	KNOB,LEVER	24	V495-001171	BAND	26
E165-000600	PIPE,BLOWER	26	V495-001201	BAND	26
E220-000030	FILTER,TANK	20	V580-000010	RING,END	2
E220-000040	FILTER,TANK	20	V625-000010	PIN,STRAIGHT 7	18
E230-000190	NIPPLE,HOSE	30	X502-000440	LABEL,ECHO	20
P003-000100	GASKET, PUMP	10	X502-000780	LABEL,ECHO	16
P003-000180	BRACKET CABLE	10	X503-013870	LABEL,MODEL	20
P003-001850	DIAPHRAGM, METERING	10	X505-002310	LABEL,CAUTION	18
P003-005510	SCREW	10	X602-000020	TOOL,WRENCH	28
P003-005910	BODY ASSEMBLY, PUMP	10			