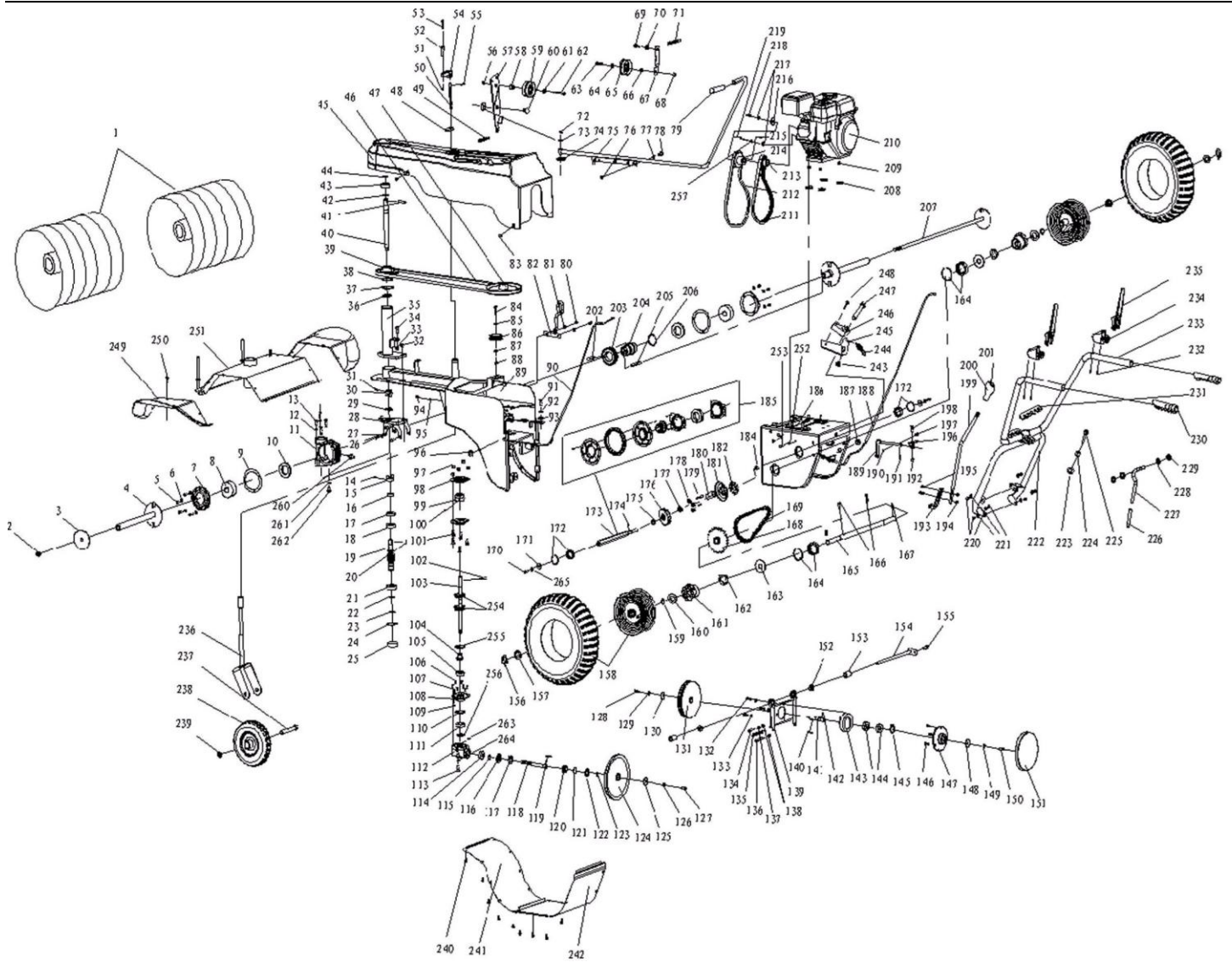
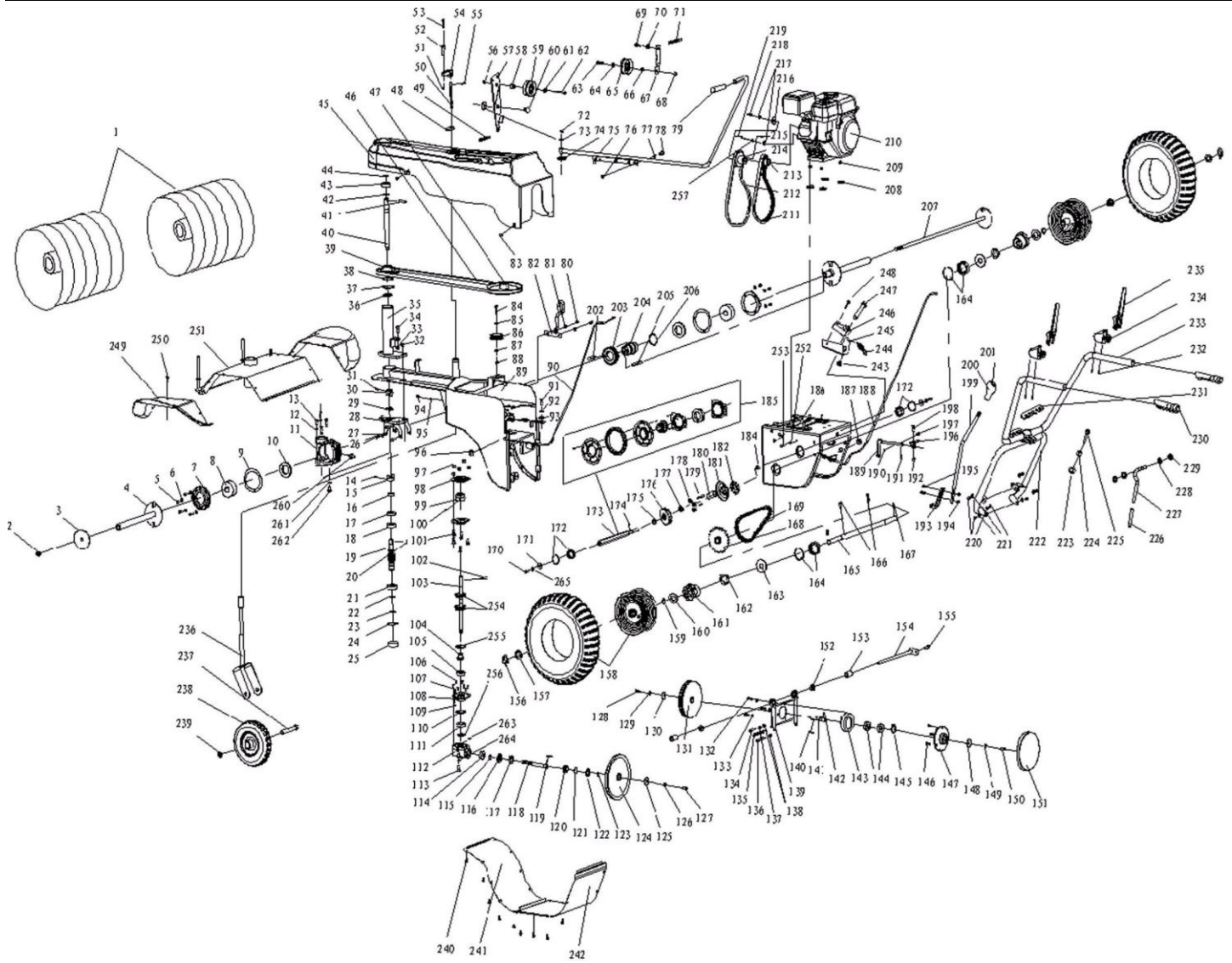


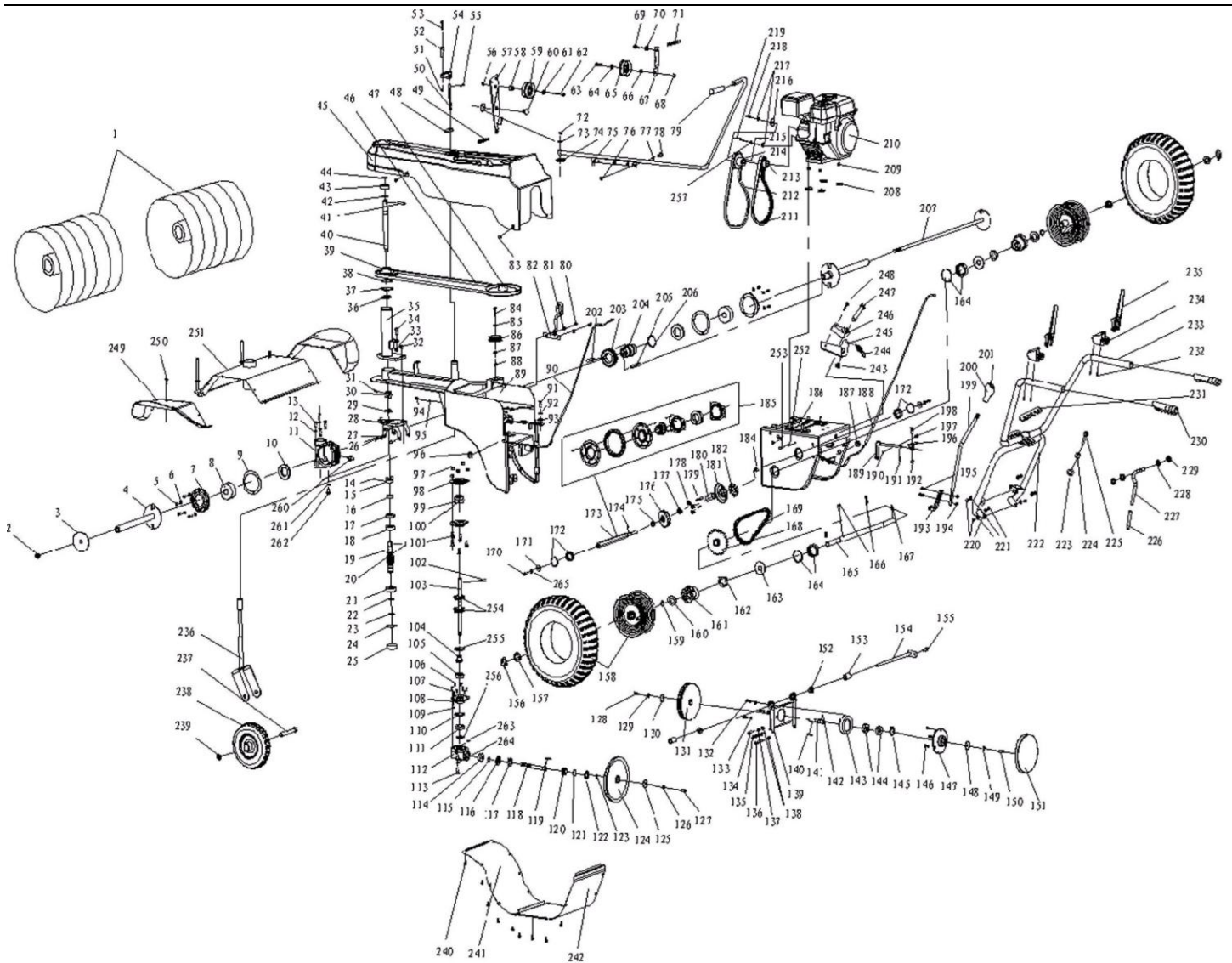
№	Артикул	Наименование	К-во	№	Артикул	Наименование	К-во
1	GS5580-1	column brush assembly	2	27	GS5580-27	spring washer	6
2	GS5580-2	nylon locked nut	1	28	GS5580-28	support frame weldment, box	1
3	GS5580-3	fixed board	1	29	GS5580-29	bumper	1
4	GS5580-4	column brush connecting rod	2	30	GS5580-30	coupler 2	1
5	GS5580-5	bolt	6	31	GS5580-31	spring column pin	1
6	GS5580-6	spring washer	6	32	GS5580-32	nylon locked nut	3
7	GS5580-7	end cover	2	33	GS5580-33	nylon locked nut	3
8	GS5580-8	bearing	2	34	GS5580-34	bolt	11
9	GS5580-9	seal	2	36	GS5580-36	circlip for bore	1
10	GS5580-10	head oil seal	2	37	GS5580-37	circlip for shaft	1
11	GS5580-11	worm wheel box	1	38	GS5580-38	front-end absorber cushion	1
12	GS5580-12	spring washer	4	39	GS5580-39	small pulley weldment	1
13	GS5580-13	inner-hexagonal socket set screws	4	40	GS5580-40	front transmission shaft	1
14	GS5580-14	inner-hexagonal socket set screws	1	41	GS5580-41	spring column pin	1
15	GS5580-15	coupler 1	1	42	GS5580-42	circlip for shaft	1
16	GS5580-16	casing	1	43	GS5580-43	bearing	1
17	GS5580-17	head oil seal	1	44	GS5580-44	circlip for shaft	1
18	GS5580-18	bearing	1	45	GS5580-45	upper cover	1
19	GS5580-19	wrom	1	46	GS5580-46	belt	1
20	GS5580-20	key	1	47	GS5580-47	big pulley weldment	1
21	GS5580-21	bearing	1	48	GS5580-48	lock lever	1
22	GS5580-22	adjustable washer	1	49	GS5580-49	Spring 5	1
23	GS5580-23	circlip for shaft	1	50	GS5580-50	rocker shaft	1
24	GS5580-24	circlip for bore	1	51	GS5580-51	Nylon lock nut	3
25	GS5580-25	seal framework end cap	1	52	GS5580-52	rocker handle	1
26	GS5580-26	blot	6				



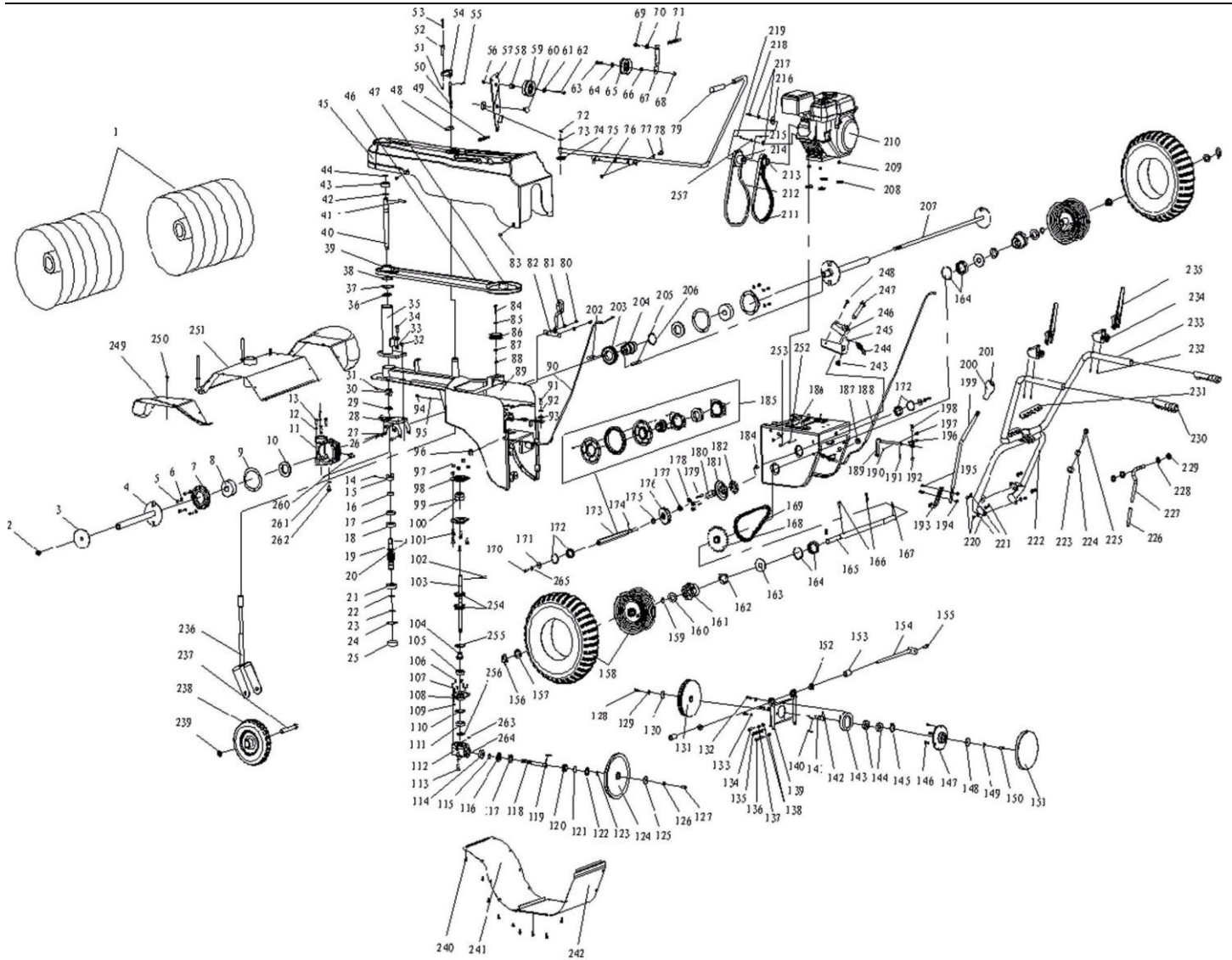
№	Артикул	Наименование	К-во	№	Артикул	Наименование	К-во
53	GS5580-53	inner-hexagonal socket set screws	1	78	GS5580-78	Bolt	1
54	GS5580-54	rocker assembly	1	79	GS5580-79	control lever sheath	1
55	GS5580-55	spring-type straight pin	1	80	GS5580-80	hexagon head screw	1
56	GS5580-56	Nylon lock nut	1	81	GS5580-81	spring washer	6
57	GS5580-57	SJ fixation plate	1	82	GS5580-82	rocker support pedestal weldment	1
58	GS5580-58	SJ washer	1	83	GS5580-83	self process lock screw	4
59	GS5580-59	big tension pulley with bearing	1	84	GS5580-84	hexagon head screw	1
60	GS5580-60	SJ hexagon head screw	1	85	GS5580-85	small tension convex washer	1
61	GS5580-61	SJ gasket	1	86	GS5580-86	small tension pulley with bearing	1
62	GS5580-62	hexagon head screw	1	87	GS5580-87	small tension convex washer	1
63	GS5580-63	hexagon head screw	1	88	GS5580-88	Nylon lock nut	1
64	GS5580-64	SJ washer	1	89	GS5580-89	front box weldment	1
65	GS5580-65	small tension pulley with bearing	1	90	GS5580-90	sweep wire assembly	1
66	GS5580-66	SJ washer 2	1	91	GS5580-91	hexagon head screw	2
67	GS5580-67	SJ small tension plate	1	92	GS5580-92	spring washer	2
68	GS5580-68	Nylon lock nut	1	93	GS5580-93	plain cushion	2
69	GS5580-69	hexagon head screw	1	94	GS5580-94	fixing bolt	1
70	GS5580-70	small tension convex washer	1	95	GS5580-95	fixing bolt lee spring	1
71	GS5580-71	SJ spring 3	1	96	GS5580-96	wire jacket	1
72	GS5580-72	Nylon lock nut	1	97	GS5580-97	nylon lock nut	5
73	GS5580-73	Mat	1	98	GS5580-98	SJ round bottom lid	2
74	GS5580-74	shock absorber cushion	1	99	GS5580-99	outer spherical bearing	1
75	GS5580-75	rocker control plate	1	100	GS5580-100	bearing lock bolt	2
76	GS5580-76	Nylon lock nut	1	101	GS5580-101	hexagon head screw	5
77	GS5580-77	Nut	1	102	GS5580-102	spring column pin	1



№	Артикул	Наименование	К-во	№	Артикул	Наименование	К-во
103	GS5580-103	intermediate shaft	1	128	GS5580-128	Hexagonal bolt	4
104	GS5580-104	bevel gear 2	1	129	GS5580-129	spring cushion	4
105	GS5580-105	head oil seal	1	130	GS5580-130	plain cushion	1
106	GS5580-106	hexagon head screw	7	131	GS5580-131	synchronization belt wheel	1
107	GS5580-107	hexagon head screw	4	132	GS5580-132	hexagonal bolt	3
108	GS5580-108	gear box cover	1	133	GS5580-133	spring cushion	3
109	GS5580-109	nylon lock nut	1	134	GS5580-134	hexagonal bolt	1
110	GS5580-110	adjustment mat	1	135	GS5580-135	SJ spring 3	1
111	GS5580-111	bearing	1	136	GS5580-136	hexagonal bolt	1
112	GS5580-112	gear box	1	137	GS5580-137	nut	1
113	GS5580-113	hexagon head screw	7	138	GS5580-138	nylon lock nut	2
114	GS5580-114	bearing	1	139	GS5580-139	pulley support bracket	1
115	GS5580-115	circlip for shaft	1	140	GS5580-140	plain key	1
116	GS5580-116	bevel gear 1	1	141	GS5580-141	stepless variable shift shaft	1
117	GS5580-117	bearing	1	142	GS5580-142	plain key	1
118	GS5580-118	input shaft	1	143	GS5580-143	fixation pedestal	1
119	GS5580-119	plain key	1	144	GS5580-144	bearing	2
120	GS5580-120	seal circle	1	145	GS5580-145	circlip for bore	1
121	GS5580-121	O type circle	1	146	GS5580-146	hexagon socket countersunk head	3
122	GS5580-122	lock nut	1	147	GS5580-147	fixation board	1
123	GS5580-123	circlip for shaft	1	148	GS5580-148	plain cushion	1
124	GS5580-124	SJ big pulley	1	149	GS5580-149	spring cushion	1
125	GS5580-125	plain cushion	1	150	GS5580-150	hexagonal bolt	1
126	GS5580-126	spring cushion	4	151	GS5580-151	friction disk	1
127	GS5580-127	hexagonal bolt	4	152	GS5580-152	friction disk shock absorber sack	2



№	Артикул	Наименование	К-во	№	Артикул	Наименование	К-во
153	GS5580-153	sperating sleeve	2	177	GS5580-177	clutch2-2	1
154	GS5580-154	shift bracket shaft weldment	1	179	GS5580-179	clutch2-7	3
155	GS5580-155	self process lock screw	1	180	GS5580-180	bush	1
156	GS5580-156	spring pin	2	181	GS5580-181	clutch2-6	1
157	GS5580-157	plain cushion	2	182	GS5580-182	clutch2-8	1
无	GS5580-158-1	rear wheel hub weldment	2	184	GS5580-184	bearing sleeve	1
无	GS5580-158-2	wheel hub	2	185	GS5580-185	shift wheel assy.	2
159	GS5580-159	circlip for shaft	2	186	GS5580-186	rear box weldment	1
160	GS5580-160	adjusting mat	4	187	GS5580-187	wire jacket	1
161	GS5580-161	dirction cover, rear wheel	2	188	GS5580-188	stepped wire assy.	1
162	GS5580-162	dirction ring	2	189	GS5580-189	shift weldment	1
163	GS5580-163	plastic mat	2	190	GS5580-190	nylon lock nut	1
164	GS5580-164	deep groove ball bearing with snap	2	191	GS5580-191	hexagonal bolt	1
165	GS5580-165	rear wheel axis	1	192	GS5580-192	nylon lock nut	2
166	GS5580-166	direction key, rear wheel	2	193	GS5580-193	SJ control arm steel sheet	1
167	GS5580-167	column pin, spring	1	194	GS5580-194	nylon lock nut	2
168	GS5580-168	sprocket	1	195	GS5580-195	hexagonal bolt	1
169	GS5580-169	chain	1	196	GS5580-196	shift fork retainer	1
170	GS5580-170	hexagonal bolt	2	197	GS5580-197	hexagonal bolt	1
171	GS5580-171	plain cushion	2	198	GS5580-198	hexagonal bolt	2
172	GS5580-172	deep groove ball bearing with snap	2	199	GS5580-199	SJ control arm	1
173	GS5580-173	hexagonal shaft	1	200	GS5580-200	gear handle cover	1
174	GS5580-174	semicircular key	1	202	GS5580-202	Pin key	1
175	GS5580-175	clutch2-5	1	203	GS5580-203	Worm Wheel	1
176	GS5580-176	clutch2-4	1	204	GS5580-204	Worm wheel shaft	1



№	Артикул	Наименование	К-во	№	Артикул	Наименование	К-во
205	GS5580-205	Pin key	1	230	GS5580-230	handle	2
206	GS5580-206	Circlip for shaft	1	231	GS5580-231	gear shock absorber cushion	1
207	GS5580-207	brush push/pull rod weldment	1	232	GS5580-232	self-process screw	4
208	GS5580-208	shock absorber cushion	4	234	GS5580-234	clutch handle stand	2
209	GS5580-209	nylon lock nut	4	235	GS5580-235	clutch handle	2
210	GS5580-210	Engine	1	236	GS5580-236	front wheel bracket weldment	1
211	GS5580-211	Synchro-belt	1	237	GS5580-237	hexagonal bolt	1
212	GS5580-212	V belt	1	238	GS5580-238	front wheel assy	1
213	GS5580-213	SJ Main synchromesh pulley	1	239	GS5580-239	nylon lock nut	1
214	GS5580-214	SJ Main pulley	1	240	GS5580-240	self process lock screw	20
215	GS5580-215	Pin key	1	243	GS5580-243	nut	1
216	GS5580-216	hexagonal bolt	1	244	GS5580-244	SJ spring 3	1
217	GS5580-217	spring cushion	1	245	GS5580-245	claw3	1
218	GS5580-218	plain cushion	1	246	GS5580-246	claw	1
219	GS5580-219	belt pressure rod	1	247	GS5580-247	hexagonal screw	1
220	GS5580-220	hexagonal bolt	2	248	GS5580-248	bolt	1
221	GS5580-221	spring cushion	4	249	GS5580-249	plastic upper cover - brush	2
222	GS5580-222	below handle weldment	1	250	GS5580-250	self process lock screw	12
223	GS5580-223	nylon lock nut	1	251	GS5580-251	upper cover weldment - brush	1
224	GS5580-224	handle elastic cover	1				
225	GS5580-225	heterogeneous screw	1				
226	GS5580-226	lock lever cover	1				
227	GS5580-227	handle lock lever	1				
228	GS5580-228	plain cushion	2				
229	GS5580-229	lock washer	2				