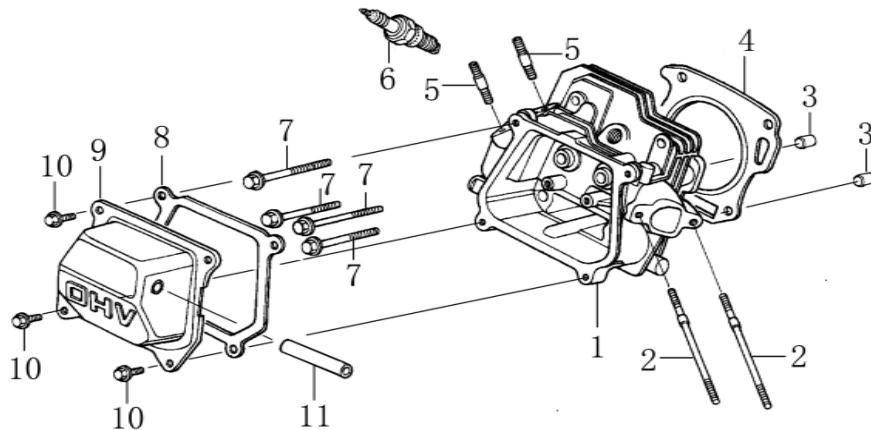
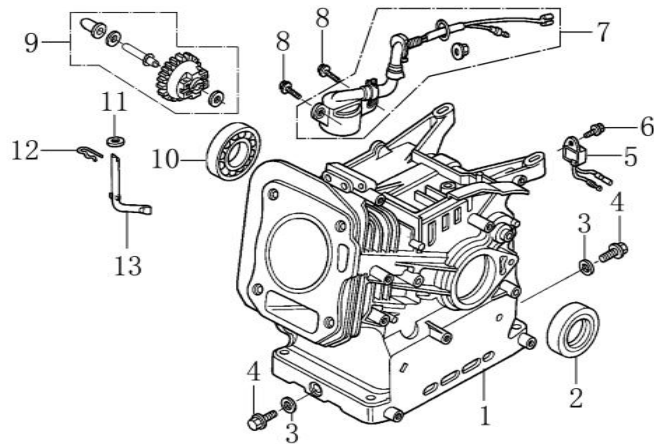


GP51



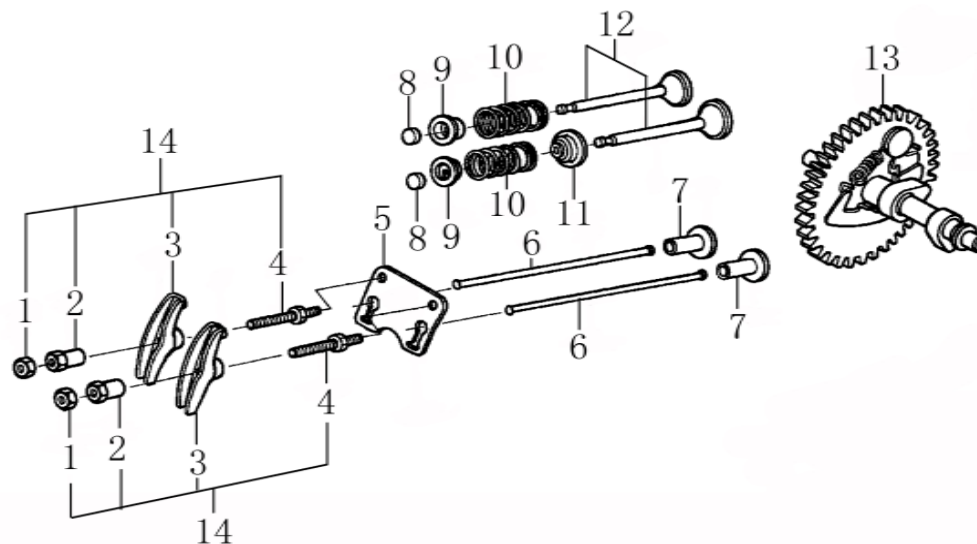
(CYLINDER HEAD)

No.	Part No.	Description		Reqd. QTY	UNIT	CONSUMABLE GRADE
1	120080275-0001	HEAD COMP .,CYLINDER	T040;	1	件/PIECES	B
2	380180093-0001	BOLT , STUD , IN.	T040_M6_L=113.5;镀蓝白锌Q16	2	件/PIECES	C
3	380600117-0001	PIN , DOWEL	T040_d=10_L=14;	2	件/PIECES	C
4	120150144-0001	GASKET , CYLINDER	T040_石墨_厚1.2;	1	件/PIECES	A
5	380180098-0001	BOLT , STUD , EX.	T040_M8_L=34;镀蓝白锌Q16	2	件/PIECES	C
6	270960014-0002	PLUG , SPARK	F7RTC_无干扰;带NHSP标识	1	件/PIECES	A
7	380140336-0001	BOLT , FLANGE	T040_M8_L=60;镀蓝白锌Q16	4	件/PIECES	C
8	120250013-0001	PACKING , HEAD COVER	T040_软木橡胶板;	1	件/PIECES	A
9	120220008-0001	COVER COMP ., HEAD	T040_横式;OHV凸字_镀蓝白锌Q16	1	件/PIECES	C
10	380140215-0003	BOLT , FLANGE	GB/T 16674.1_M6_L=14;镀蓝白锌Q16	4	件/PIECES	C



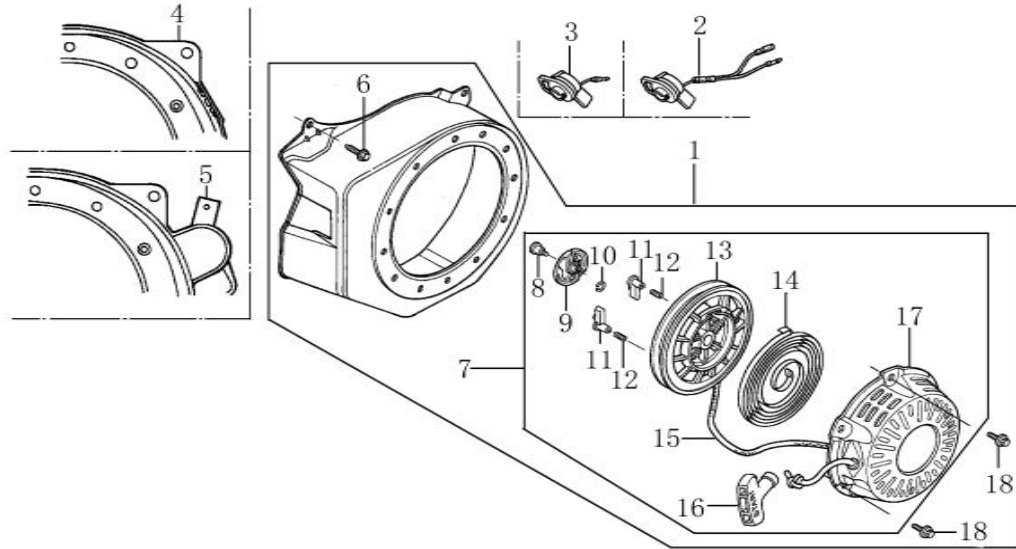
(CRANK CASE)

No.	Part No.	Description	Reqd. QTY	UNIT	CONSUMABLE GRADE
1	110810004-0001	CRANK CASE	1	件/PIECES	B
2	380650334-0001	OIL SEAL	1	件/PIECES	A
3	380450514-0001	WASHER , DRAIN PLUG	2	件/PIECES	C
4	110260025-0001	BOLT , DRAIN PLUG	2	件/PIECES	C
5	281890001-0001	ALART UNIT ,OIL	1	件/PIECES	A
6	380140011-0004	BOLT , FLANGE	1	件/PIECES	C
7	281850150-0001	OIL LEVEL SWITCH	1	套/SETS	A
8	380140215-0003	BOLT , FLANGE	2	件/PIECES	C
9	171750002-0001	GOVERNOR GEAR ASSY.	1	套/SETS	B
10	380630137-0002	BEARING , RADIAL BALL	1	件/PIECES	B
11	380450531-0001	WASHER , PLAIN	1	件/PIECES	C
12	381350004-0001	PIN , LOCK	1	件/PIECES	B
13	171630001-0001	SHAFT , GOVERNOR ARM	1	件/PIECES	B



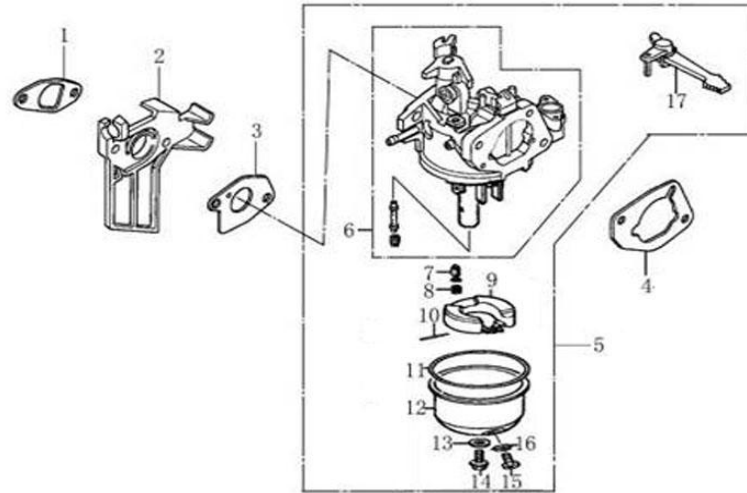
(GAS DISTRIBUTION ADJUSTMENT)

No.	Part No.	Description	Reqd. QTY	UNIT	CONSUMABLE GRADE
1	140470001-0001	NUT , PIVOT ADJUSTING	2	件/PIECES	B
2	140490012-0001	PIVOT , ROCKER ARM	2	件/PIECES	B
3	140460030-0001	ARM , VALVE ROCKER	2	件/PIECES	B
4	140480012-0001	BOLT , PIVOT ARM	2	件/PIECES	B
5	140710001-0001	PLATE , PUSH ROD GUIDE	1	件/PIECES	B
6	140670004-0001	ROD , PUSH	2	件/PIECES	B
7	140690002-0001	LIFTER , VALVE	2	件/PIECES	B
8	140320001-0001	RATATOR , VALVE	2	件/PIECES	B
9	140380017-0001	RETAINER , VALVE SPRING	2	件/PIECES	B
10	140340022-0001	SPRING , VALVE	2	件/PIECES	B
11	140400011-0001	SEAL , GUIDE	1	件/PIECES	A
12	500550024-0001	VALVE COMP.	1	套/SETS	B
13	140020044-0001	CAMSHAFT ASSY.	1	件/PIECES	B
14	140450022-0001	ARM COMP.	2	套/SETS	B



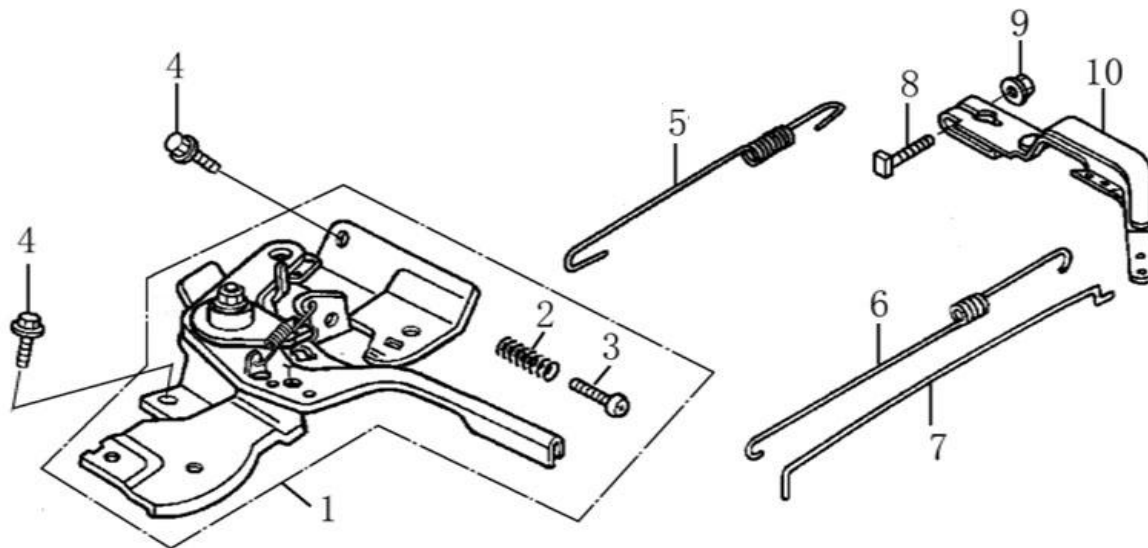
(STARTER SUBASSEMBLY)

No.	Part No.	Description		Reqd. QTY	UNIT	CONSUMABLE GRAD
1	193490016-0025	RECOIL STARTER COMP.	T040_十点钟_2#_铁棘爪_C款_C款;16#黄色Y1C_16	1	套/SETS	B
2	271660028-0001	SWITCH ASSY., ENGINE STOP	T040_长线;	1	件/PIECES	A
4	160210006-T040	COVER COMP ., FAN	T040_C款;16#黄色Y1C	1	件/PIECES	C
6	380140011-0004	BOLT , FLANGE	GB/T 16674.1_M6_L=10;镀蓝白锌Q16	4	件/PIECES	C
7	193500011-T040	STARTER ASSY.	T040_2#_铁棘爪_C款_16#黄色Y1C	1	套/SETS	B
8	380020067-0001	SCREW , SETTING	T040;镀白锌Q08_手起部件压板位置	1	件/PIECES	C
9	193550003-0001	GUIDE , RATCHET	T040;	1	件/PIECES	C
10	381150342-0001	SPRING , FRICTION	T040_起动机内导向板分离弹簧;	1	件/PIECES	B
11	193540003-0001	RATCHET , STARTER	T040;	2	件/PIECES	C
12	381160090-0001	SPRING , RETURN	T040_驱动凸轮扭簧;	2	件/PIECES	B
13	193520003-0001	REEL , RECOIL STARTER	T040;	1	件/PIECES	B
14	193340018-0001	SPRING , RECOIL STARTER	T040;	1	件/PIECES	B
15	193530004-0001	ROPE	T040_白色尼龙;	1	件/PIECES	A
16	193560004-0001	KNOB , RECOIL STARTER	T040_2#;	1	件/PIECES	B



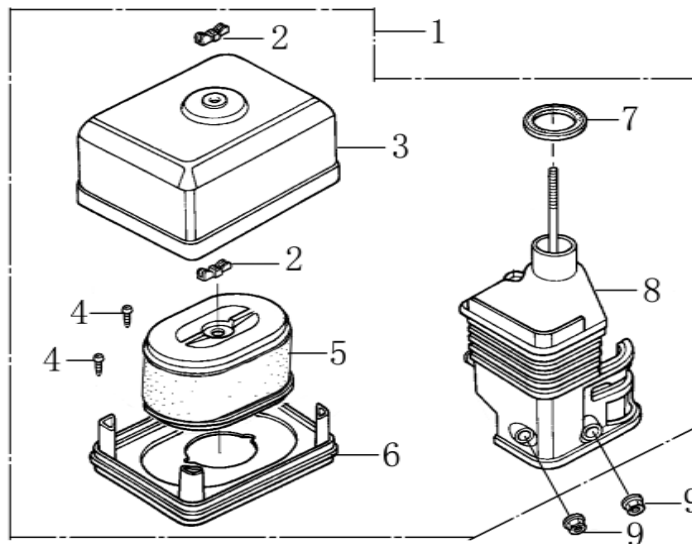
(CARBURETOR)

No.	Part No.	Description	Reqd. QTY	UNIT	CONSUMABLE GRADE
1	170430060-0001	PACKING , INSULATOR	1	件/PIECES	A
2	170440038-0001	INSULATOR , CARBURETOR	1	件/PIECES	B
3	170430048-0001	PACKING ., CARBURETOR	1	件/PIECES	A
4	170430065-0001	SPACER COMP ., AIR CLEANER	1	件/PIECES	A
5	170020405-0001	CARBURETOR	1	套/SETS	B
6	170160029-0001	CARBURETOR'S NOUMENON	1	件/PIECES	C
7	170180024-0001	VALVE , FLOAT	1	件/PIECES	B
8	381150336-0001	SPRING , VALVE SET	1	件/PIECES	B
9	170280019-0001	FLOAT	1	件/PIECES	B
10	170290017-0001	PIN , FLOAT	1	件/PIECES	C
11	380840455-0001	GASKET , OIL CUP	1	件/PIECES	A
12	170250021-0001	OIL CUP	1	件/PIECES	C
13	380450539-0001	GASKET , OIL CUP BOLT	1	件/PIECES	B
14	380140353-0001	BOLT , OIL CUP	1	件/PIECES	C



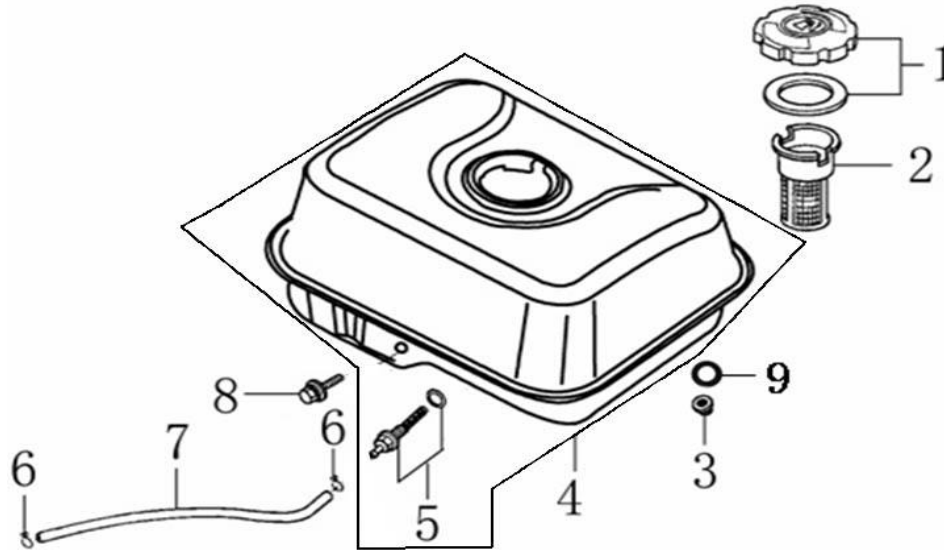
(CONTROL SYSTEM)

No.	Part No.	Description		Reqd. QTY	UNIT	CONSUMABLE GRADE
1	171680006-0001	CONTROL ASSY.	T040;镀蓝白锌 Q16	1	套/SETS	B
2	171660001-0001	SPRING	T040;镀蓝白锌 Q16	1	件/PIECES	A
3	380200017-0005	SCREW	GB/T 818_M5_L=35;镀蓝白锌Q16	1	件/PIECES	C
4	380140011-0004	BOLT, FLANGE	GB/T 16674.1_M6_L=10;镀蓝白锌Q16	2	件/PIECES	C
5	171600036-0001	SPRING, GOVERNOR	T040_16圈,长120_单机用;镀蓝白锌Q16	1	件/PIECES	A
6	171610002-0001	SPRING, THROTTLE RETURN	T040_35.5圈,长117_单机用;	1	件/PIECES	A
7	171590002-0001	ROD, GOVERNOR	T040_单机用;	1	件/PIECES	B
8	380250002-0001	BOLT, QUADRATE HEAD	T040_M6_L=21(13mm);调速支架固定	1	件/PIECES	C
9	380370048-0001	NUT, FLANGE	GB/T 6177.1_M6;镀蓝白锌Q16	1	件/PIECES	C
10	171620001-0001	ARM, GOVERNOR	T040;镀蓝白锌 Q16	1	件/PIECES	B



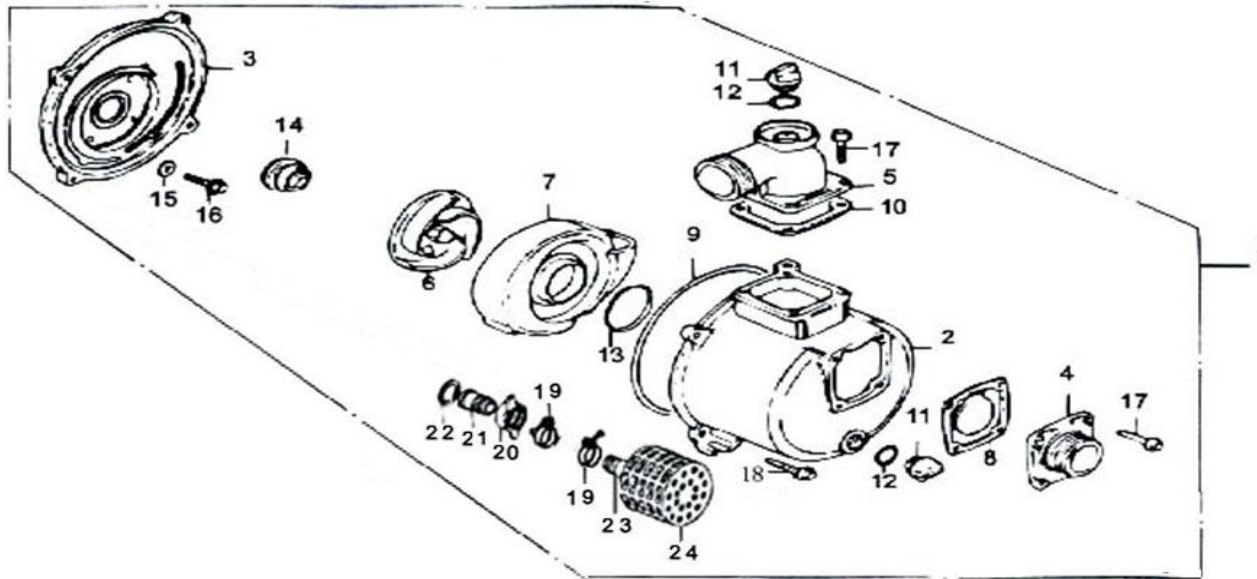
(AIR CLEANER)

No.	Part No.	Description	Reqd. QTY	UNIT	CONSUMABLE GRADE
1	180020313-0001	AIR CLEANER ASSY	1	套/SETS	B
2	380440002-0001	NUT , TOOL BOX SETTING	2	件/PIECES	C
3	180070087-0001	COVER , AIR CLEANER	1	件/PIECES	B
4	380310015-0005	SCREW	2	件/PIECES	C
5	180100034-0001	ELEMENT ASSY. , AIR CLEANER	1	件/PIECES	A
6	180330018-0001	NOSE , SILENCER	1	件/PIECES	B
7	380840437-0001	PACKING , ELBOW	1	件/PIECES	B
8	180280001-0001	ELBOW COMP., AIR CLEANER	1	件/PIECES	B
9	380370048-0001	NUT , FLANGE	2	件/PIECES	C



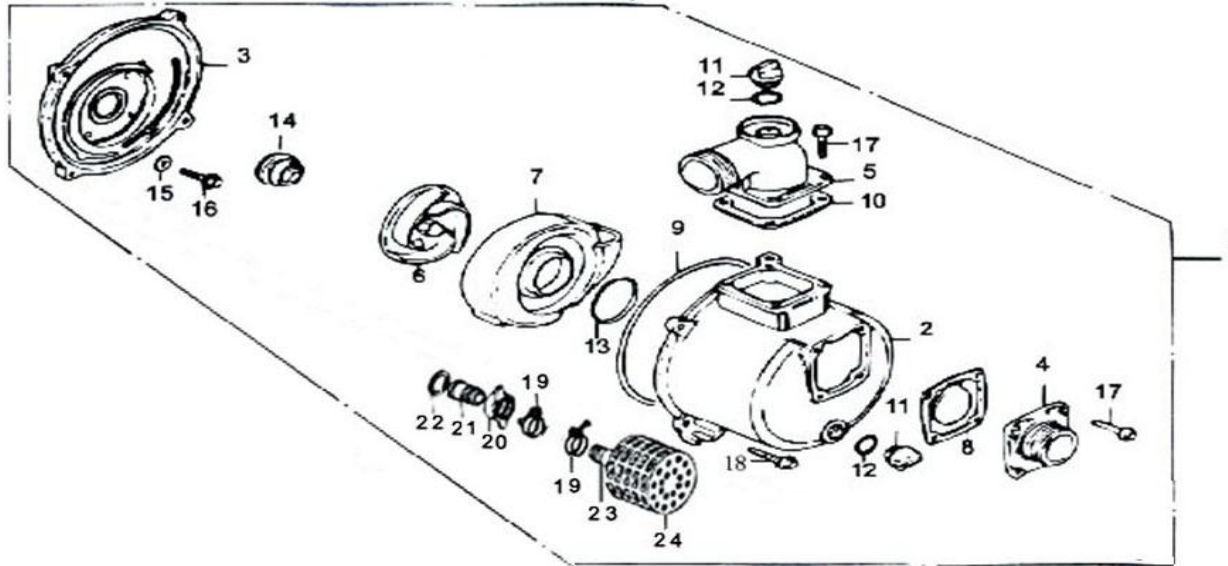
(FUEL TANK)

No.	Part No.	Description	Reqd. QTY	UNIT	CONSUMABLE GRADE	
1	170870039-0001	CAP COMP ., FUEL FILLER	T040_A款_塑料;油壶标识_亚光黑(塑料)	1	套/SETS	B
2	170720001-0001	FILTER , FUEL	T040;	1	件/PIECES	B
3	380370048-0001	NUT , FLANGE	GB/T 6177.1_M6;镀蓝白锌Q16	2	件/PIECES	C
4	170500508-0026 170660077-0001	TANK COMP ., FUEL	T046_金属_B款_加厚;16#黄色Y1C T040;	1	套/SETS	B
5	170660077-0001	JOINT ASSY ., FUEL TANK	T040;	1	套/SETS	A
6	380950188-0001	CLIP , TUBE	T040_油管卡圈;	2	件/PIECES	B
7	380750180-0001	TUBE , FUEL	T040_内径4_外径8_长155;	1	件/PIECES	A
8	380140102-0004	BOLT , FLANGE	GB/T 16674.1_M6_L=25;镀蓝白锌Q16	1	件/PIECES	C
9	380920086-0001	WASHER,RUBBER	T040_内径8.5_外径17_厚度2.5_出油嘴胶圈;	2	件/PIECES	A



(2" PUMP)

No.	Part No.	Description		Reqd. QTY	UNIT	CONSUMABLE GRADE
1	660180002-0001	PUMP COMP.	T810;抛丸Q05	1	套/SETS	B
2	660220002-0001	HOUSING OF PUMP	T810;抛丸Q05	1	件/PIECES	C
3	660190002-0001	PUMP COVER	T810;	1	件/PIECES	C
4	660230001-0001	FLANGE , ENDURE PRESS	T810;	1	件/PIECES	C
5	660250001-0001	FLANGE , OUTPUT	T810;	1	件/PIECES	C
6	660200001-0001	WATER PUMP IMPELLER	T810;	1	件/PIECES	C
7	660210001-0001	VOLUTE CASING	T810;	1	件/PIECES	C
8	660320001-0001	CHECK VALVE	T810;	1	件/PIECES	C
9	380840459-0001	O-RING	Q/LX G 8.22_泵体_D=196_d=4;	1	件/PIECES	A
10	660260002-0001	SEAL , OUTPUT	T810;	1	件/PIECES	A
11	660240001-0001	PLUG	T810;	2	件/PIECES	B
12	380840501-0001	O-RING	T810_螺塞密封圈_D=25_d=5;	2	件/PIECES	A
13	380840460-0001	O-RING	Q/LX G 8.22_涡壳_D=56_d=5;	1	件/PIECES	A
14	660350001-0001	MACHINERY SEAL	T810;	1	件/PIECES	A



(2" PUMP)

No.	Part No.	Description	Reqd. QTY	UNIT	CONSUMABLE GRADE
15	660830001-0001	WASHER T810;	4	件/PIECES	C
16	380140091-0005	BOLT,FLANGE GB/T 16674.1_M8_L=25;镀蓝白锌Q16	4	件/PIECES	C
17	380140070-0004	BOLT,FLANGE GB/T 5789_M8_L=20;镀蓝白锌Q16	8	件/PIECES	C
18	380140091-0005	BOLT,FLANGE GB/T 16674.1_M8_L=25;镀蓝白锌Q16	4	件/PIECES	C
19	380960127-0001	LOOP , TUBE T810_Φ64_水泵软管_钢丝截面;	3	件/PIECES	C
20	660270011-0001	LINKER , TUBE T810_ZL102材质;	2	件/PIECES	C
21	660280010-0001	TIE-IN , TUBE T810_ZL102材质;	2	件/PIECES	C
22	380840439-0001	SEAL , LINKER T810_水泵软接头_D=45_外径57_厚度4;	2	件/PIECES	A
23	660290011-0001	COVER , FILTER T810_圆柱形;	1	件/PIECES	B
24	660300011-0001	FILTER T810_圆柱形;	1	件/PIECES	B

