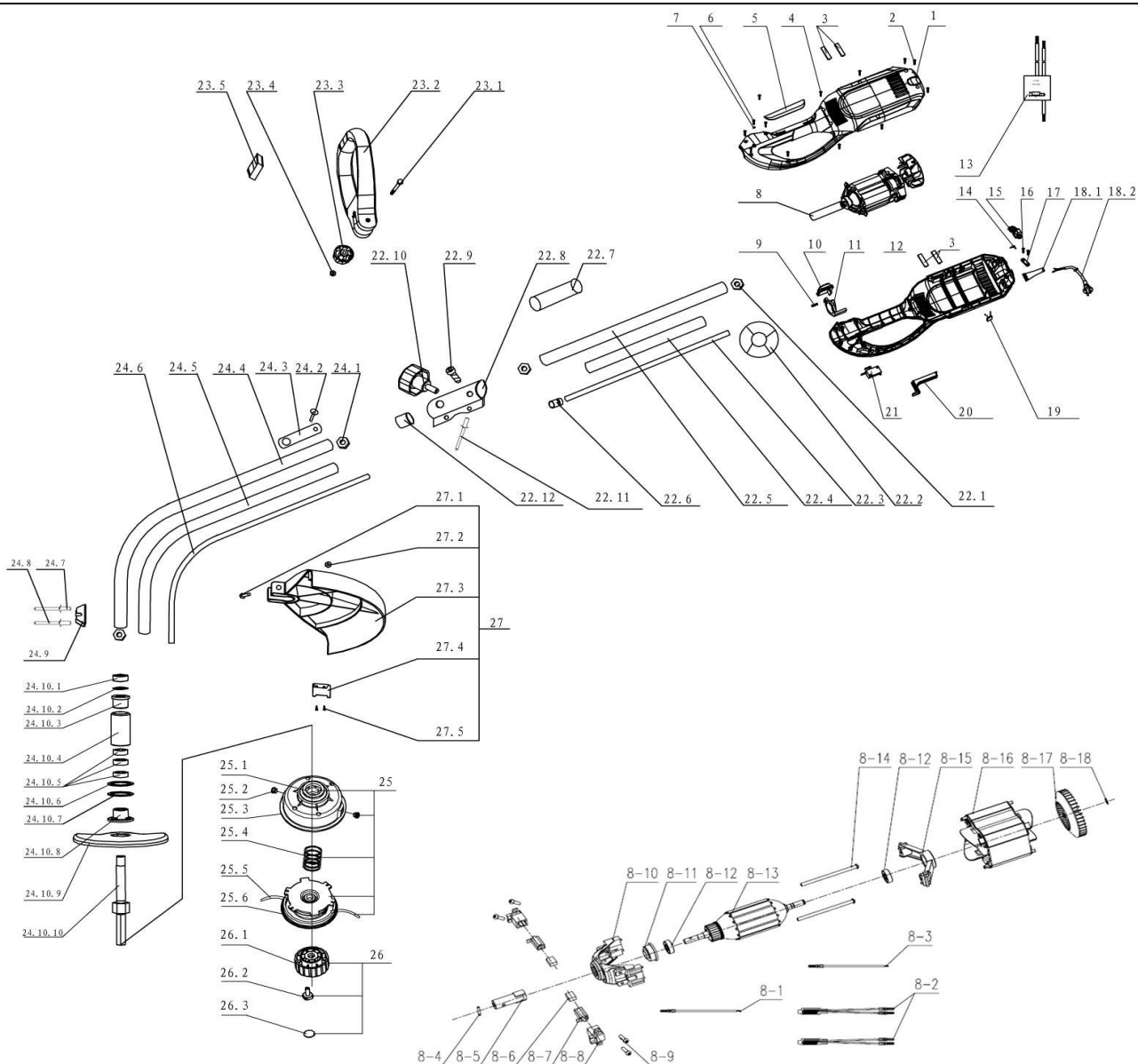


№	Артикул	Наименование	К-во	№	Артикул	Наименование	К-во
1	PR8006-691502-01ZU	right housing	1	9	R8342-533603	compression spring	1
2	R8SJAB30-14B	self-tapping screw	1	10	R8312-691501RI	push button	1
3	R8341-691101	shock pad	4	11	R8204-691501	limited block	1
4	R8SJAB30-14B	self-tapping screw	10	12	PR8006-691501-01ZU	left housing	1
5	R8005-691501	soft grip	1	13	R8414-691501-01	PCB board	1
6	R8SJAB30-14B	self-tapping screw	1	14	R8342-691104	torsion spring	1
8	PR8401-691507	motor module	1	15	R8343-691101	wire holder	1
8-1	PR8413-691501	Connecting wire 1	1	16	R8SJAB30-14B	self-tapping screw	2
8-2	PR8413-691505	Connecting wire 5	2	17	R8184-302201	cable pressboard	1
8-3	PR8413-691502	Connecting wire 2	1	18	R8440-691502	power wire module	1
8-4	R9PB30-18B	Pin	1	18-1	R8332-532401	cable sheath	1
8-5	PR8081-691103WA	Connecting shaft	1	18-2	R8422-691501	power wire	1
8-6	R8406-691503	Carbon brush	2	19	R8416-691501	capacitance	1
8-7	R8409-692202	Brush holder	2	20	R8044-691501RI	switch trigger	1
8-8	PR8409-692201-01SB	Brush frame	2	21	R8042-522501	microswitch	1
8-9	R8SJGN04-12B	Combination screw 4*12	4	22	R8440-691504	rear connection pipe module	1
8-10	R8021-691503	Front support	1	22-1	R8201-691101	retaining ring	2
8-11	PR8333-691501	Bearing sleeve	1	22-2	R9325-903102	orientation block	1
8-12	RBC-220807-ST03	608 Bearing	2	22-3	R9089-691506	flexible shaft	1
8-13	R8402-691508	Rotor	1	22-4	R8061-691203	limited block (ascending pipe)	1
8-14	R8SJAD05-80D	Machine screw 5*80	2	22-5	8061-691201	rear connection pipe	1
8-15	R8021-691502	Rear support	1	22-6	R8065-691201	connection	1
8-16	R8405-691501	Stator	1	22-7	R8331-691502	handle sheath	1
8-17	PR8403-691501	Wind wheel	1	22-8	R8440-691202-02	pipe joint	1
8-18	R8CC-60B	Cotter	1	22-9	R8SACD06-12B	screw	1



№	Артикул	Наименование	К-во	№	Артикул	Наименование	К-во
22-10	R8313-691501	knob	1	24-10-	R8321-691502	backup plate	1
22-11	R8RE03-04N	rivet	1	24-10-	R9211-691502	oil bearing	1
22-12	R8204-691201	hoop	1	24-10-	R8185-691502	assist protecting cover	1
23	R8440-691104	handle module	1	24-10-	9085-923101	shaft connection	1
23-1	R8SFDD06-65B	screw		25	R9440-691510	spool unit assemblage	1
23-2	R8003-522202	assist handle	1	25-1	9331-923101	cutting head cap	1
23-3	R8313-691501	knob	1	25-2	R8RE03-04N	rivet	2
23-4	R8NA-06B-1005	nut	1	25-3	R9140-923101-01	cutting head hub	1
23-5	R8020-522201	assist handle cover	1	25-4	R8342-533603	spring	1
24	R8440-691505	front connection pipe module	1	25-5	R8370-691501Lx	nylon wire	
24-1	R8201-691101	retaining ring	2	25-6	R9440-923108	bump spool	1
24-2	R8RE03-04N	rivet	1	26	C5088	knob unit assemblage	1
24-3	R8324-691201	reed	1	26-1	R8313-923101	knob	1
24-4	8061-691202	front connection pipe	1	26-2	R9206-923101-01	screw	1
24-5	8061-691204	limited block (return bend)	1	26-3	R9025-923101	knob cover	1
24-6	R8081-691202	front flexible shaft	1	27	R8440-691106	protecting cover module	1
24-7	R8RE03-04N	rivet	2	27-1	R8SACD06-12B	hex screw	1
24-9	R8291-691501	fix shelf	1	27-2	R8NG-06B-1005	nut	1
24-10	R9440-691501	shaft connection module	1	27-3	R8185-691101	protecting cover	1
24-10-	R9334-923103	axle bumper	1	27-4	R8231-691101	blade	1
24-10-	R9202-923101	friction plate	1	27-5	R8SJAB30-14B	self-tapping screw	2
24-10-	R9211-691502	oil bearing	1				
24-10-	R9334-691501	sleeve	1				
24-10-	R9208-923101	wool washer	3				
24-10-	R8321-691502	backup plate	1				