



# PARTS CATALOG

Published 2011/7 (Jul.)

0CR10-G55100

# L70AE

# CONTENTS

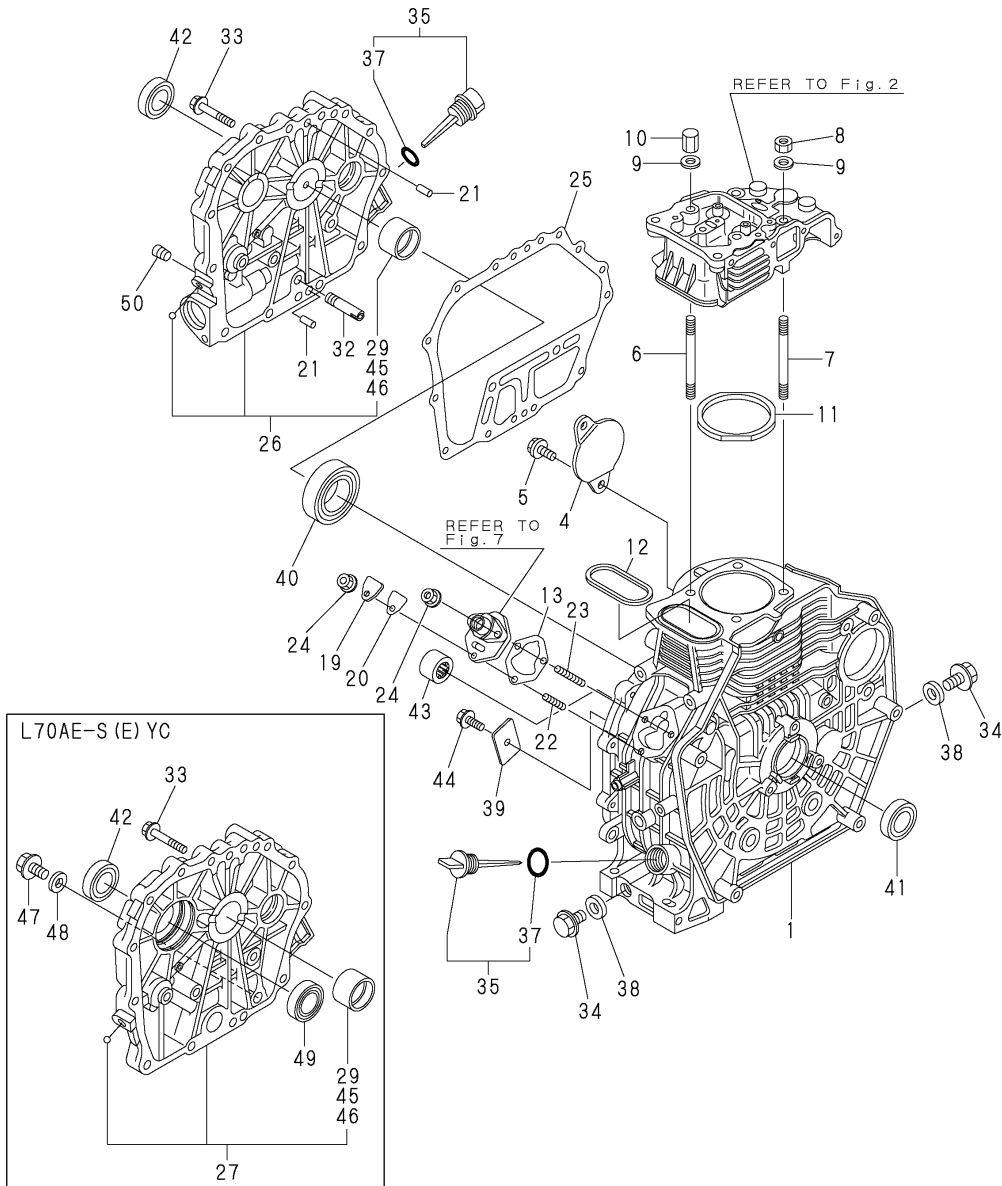
MODEL : L70AE -  
PC NO : 0CR10-G55100

Fig.No. GROUP NAME  
L70AE SERIES

Fig.No. GROUP NAME

1. CYLINDER BLOCK
2. CYLINDER HEAD & BONNET
3. AIR CLEANER & MUFFLER
4. CRANKSHAFT,PISTON & CAMSHAFT
5. LUB.OIL PUMP & GOVERNOR
6. COOLING & STARTING DEVICE
7. FUEL INJECTION PUMP & FUEL INJECTION VALVE
8. FUEL TANK & FUEL PIPE
9. STARTING MOTOR
10. TOOL,LABEL & GASKET SET

Fig.1. CYLINDER BLOCK



OCR10-G55100 1. CYLINDER BLOCK

(A)=L70AE-DYC  
(B)=L70AE-DEYC  
(C)=L70AE-DEGYC

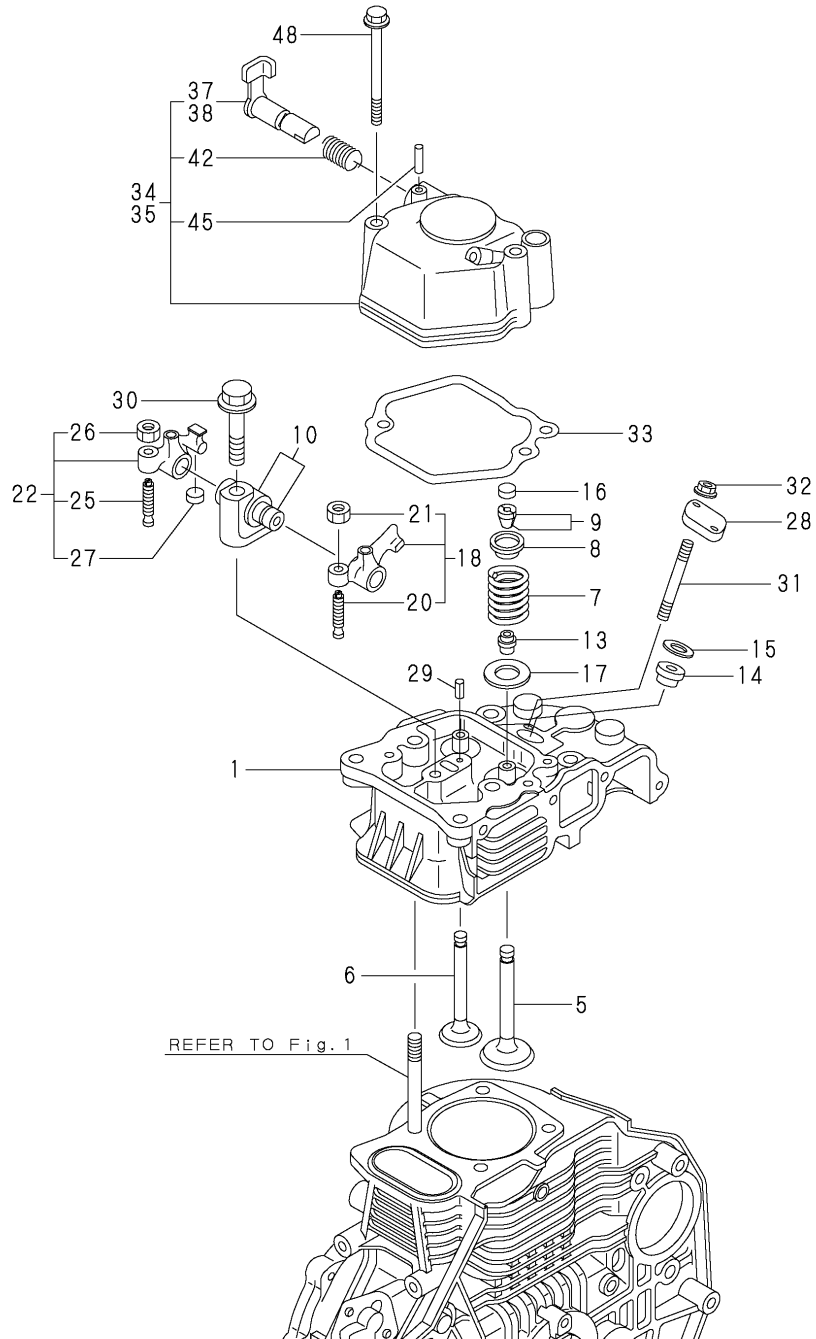
(D)=L70AE-DGYC  
(E)=L70AE-DVYC  
(F)=L70AE-S(E)YC

| REF. | LEV. | PARTS NO.    | DESCRIPTION          | QTY |     |     |     |     |     | I | R  |
|------|------|--------------|----------------------|-----|-----|-----|-----|-----|-----|---|----|
|      |      |              |                      | (A) | (B) | (C) | (D) | (E) | (F) |   |    |
| 1    | 1    | 114399-01050 | BLOCK ASSY, CYLINDER | 1   | 1   | 1   | 1   | 1   | 1   |   |    |
| 4    | 1    | 114399-01700 | COVER, STARTER       | 1   |     |     | 1   | 1   | 1   |   | 4  |
| 5    | 1    | 26106-100122 | BOLT M10X 12 PLATED  | 2   |     |     | 2   | 2   | 2   |   | 4  |
| 6    | 1    | 114399-01200 | STUD, CYL. HEAD      | 2   | 2   | 2   | 2   | 2   | 2   |   |    |
| 7    | 1    | 114399-01210 | STUD, CYL. HEAD      | 2   | 2   | 2   | 2   | 2   | 2   |   |    |
| 8    | 1    | 114399-01220 | NUT, CYLINDER HEAD A | 2   | 2   | 2   | 2   | 2   | 2   |   |    |
| 9    | 1    | 114399-01250 | WASHER               | 4   | 4   | 4   | 4   | 4   | 4   |   |    |
| 10   | 1    | 114399-01230 | HEAD NUT(B)          | 2   | 2   | 2   | 2   | 2   | 2   |   |    |
| 11   | 1    | 114399-01330 | GASKET, CYL. HEAD    | 1   | 1   | 1   | 1   | 1   | 1   |   |    |
| 12   | 1    | 114399-01380 | O-RING               | 1   | 1   | 1   | 1   | 1   | 1   |   |    |
| 13   | 1    | 114299-01800 | SHIM SET             | 1   | 1   | 1   | 1   | 1   | 1   |   |    |
| 19   | 1    | 114299-01830 | COVER,(FO PUMP)      | 1   | 1   | 1   | 1   | 1   | 1   |   |    |
| 20   | 1    | 114299-01840 | GASKET               | 1   | 1   | 1   | 1   | 1   | 1   |   |    |
| 21   | 1    | 114270-01600 | PARALLEL PIN 8X12    | 2   | 2   | 2   | 2   | 2   | 2   |   |    |
| 22   | 1    | 26226-060182 | STUD M 6X 18 PLATED  | 1   | 1   | 1   | 1   | 1   | 1   |   |    |
| 23   | 1    | 26226-060222 | STUD M 6X 22 PLATED  | 2   | 2   | 2   | 2   | 2   | 2   |   |    |
| 24   | 1    | 26366-060002 | NUT M 6              | 3   | 3   | 3   | 3   | 3   | 3   |   |    |
| 25   | 1    | 114399-01410 | GASKET, CRANK CASE   | 1   | 1   | 1   | 1   | 1   | 1   |   |    |
| 26   | 1    | 114399-01461 | COVER,CRANK CASE E-D | 1   | 1   | 1   | 1   | 1   | 1   |   |    |
| 27   | 1    | 114350-01452 | COVER (S),CRANK CASE |     |     |     |     |     |     |   | 1  |
| 29   | 2    | 114350-02100 | BEARING, MAIN        | 1   | 1   | 1   | 1   | 1   | 1   |   | 1  |
| 32   | 1    | 114299-35150 | PIPE, L.O. INLET     | 1   | 1   | 1   | 1   | 1   | 1   |   |    |
| 33   | 1    | 26106-080352 | BOLT M 8X 35 PLATED  | 15  | 15  | 15  | 15  | 15  | 15  |   | 15 |
| 34   | 1    | 105425-01690 | PLUG M16             | 2   | 2   | 2   | 2   | 2   | 2   |   |    |
| 35   | 1    | 114699-01760 | CAP, W/LUB.OIL GAUGE | 2   | 2   | 2   | 2   | 2   | 2   |   |    |
| 37   | 2    | 114299-01950 | O-RING               | 2   | 2   | 2   | 2   | 2   | 2   |   |    |
| 38   | 1    | 22190-160002 | SEAL WASHER 16S      | 2   | 2   | 2   | 2   | 2   | 2   |   |    |
| 39   | 1    | 114299-02030 | RETAINER             | 1   | 1   | 1   | 1   | 1   | 1   |   |    |
| 40   | 1    | 114350-02113 | BALL BEARING         | 1   | 1   | 1   | 1   | 1   | 1   |   |    |
| 41   | 1    | 114299-02220 | SEAL, OIL            | 1   | 1   | 1   | 1   | 1   | 1   |   |    |
| 42   | 1    | 114299-02220 | SEAL, OIL            | 1   | 1   | 1   | 1   | 1   | 1   |   |    |
| 43   | 1    | 24162-152112 | NEEDLE BEARING       | 1   | 1   | 1   | 1   | 1   | 1   |   |    |
| 44   | 1    | 26106-080122 | BOLT M 8X 12 PLATED  | 1   | 1   | 1   | 1   | 1   | 1   |   |    |
| 45   | 1    | 114350-02200 | MAIN BEARING US=0.25 | 1   | 1   | 1   | 1   | 1   | 1   |   | 2  |
| 46   | 1    | 114350-02210 | MAIN BEARING US=0.50 | 1   | 1   | 1   | 1   | 1   | 1   |   | 3  |
| 47   | 1    | 105425-01690 | PLUG M16             |     |     |     |     |     |     |   | 1  |
| 48   | 1    | 22190-160002 | SEAL WASHER 16S      |     |     |     |     |     |     |   | 1  |
| 49   | 1    | 24101-062060 | BALL BEARING         |     |     |     |     |     |     |   | 1  |
| 50   | 1    | 23876-010000 | PLUG PT1/8,SCREW     | 1   | 1   | 1   | 1   | 1   | 1   |   |    |

Remarks

- (1)REPAIR PART.
- (2)UNDER SIZED(U.S.=0.25)PART.
- (3)UNDER SIZED(U.S.=0.50)PART.
- (4)IT IS NOT USED FOR L70AE-SEYC.

Fig.2. CYLINDER HEAD & BONNET

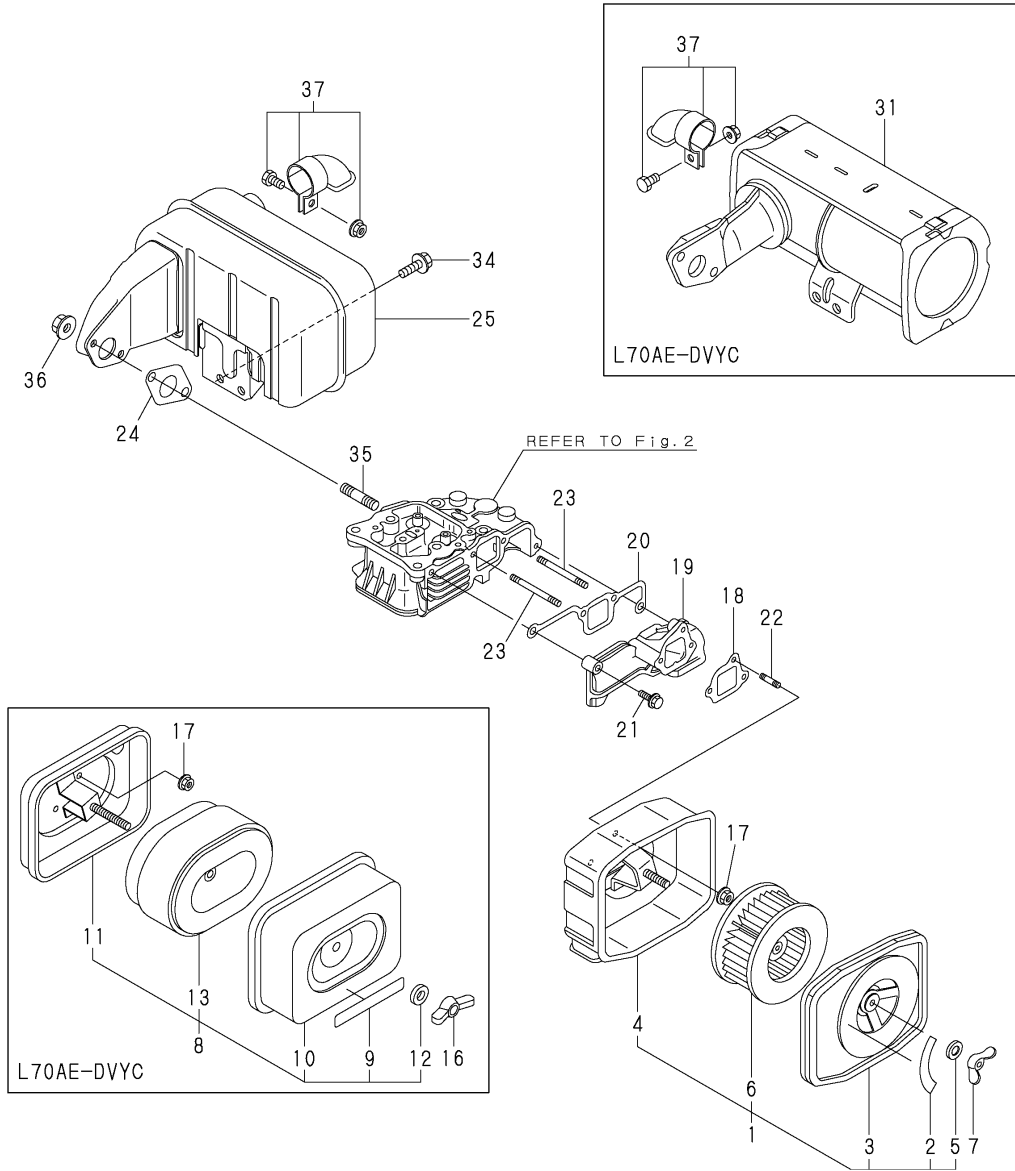


OCR10-G55100 2. CYLINDER HEAD & BONNET

(A)=L70AE-DYC (D)=L70AE-DGYC  
 (B)=L70AE-DEYC (E)=L70AE-DVYC  
 (C)=L70AE-DEGYC (F)=L70AE-S(E)YC

| REF. | LEV. | PARTS NO.    | DESCRIPTION          | QTY |     |     |     |     |     | I | R |
|------|------|--------------|----------------------|-----|-----|-----|-----|-----|-----|---|---|
|      |      |              |                      | (A) | (B) | (C) | (D) | (E) | (F) |   |   |
| 1    | 1    | 114870-11021 | HEAD ASSY, CYLINDER  | 1   | 1   | 1   | 1   | 1   | 1   |   |   |
| 5    | 1    | 114350-11101 | VALVE, SUCTION       | 1   | 1   | 1   | 1   | 1   | 1   |   |   |
| 6    | 1    | 114350-11113 | VALVE, EXHAUST       | 1   | 1   | 1   | 1   | 1   | 1   |   |   |
| 7    | 1    | 114399-11120 | SPRING, VALVE        | 2   | 2   | 2   | 2   | 2   | 2   |   |   |
| 8    | 1    | 101158-11180 | RETAINER, SPRING     | 2   | 2   | 2   | 2   | 2   | 2   |   |   |
| 9    | 1    | 27310-060001 | COTTER ASSY          | 2   | 2   | 2   | 2   | 2   | 2   |   |   |
| 10   | 1    | 114250-11290 | SUPPORT, ROCKER ARM  | 1   | 1   | 1   | 1   | 1   | 1   |   |   |
| 13   | 1    | 114350-11340 | SEAL, VALVE STEM     | 2   | 2   | 2   | 2   | 2   | 2   |   |   |
| 14   | 1    | 114250-11460 | GASKET, NOZZLE       | 1   | 1   | 1   | 1   | 1   | 1   |   |   |
| 15   | 1    | 114350-11470 | SPACER, NOZZLE       | 1   | 1   | 1   | 1   | 1   | 1   |   |   |
| 16   | 1    | 105010-11490 | CAP, VALVE           | 1   | 1   | 1   | 1   | 1   | 1   |   |   |
| 17   | 1    | 114250-11600 | WASHER               | 2   | 2   | 2   | 2   | 2   | 2   |   |   |
| 18   | 1    | 114250-11651 | ARM ASSY, INTAKE     | 1   | 1   | 1   | 1   | 1   | 1   |   |   |
| 20   | 2    | 114250-11240 | SCREW, VALVE ADJUST. | 1   | 1   | 1   | 1   | 1   | 1   |   |   |
| 21   | 2    | 26856-060002 | LOCK NUT 6           | 1   | 1   | 1   | 1   | 1   | 1   |   |   |
| 22   | 1    | 714370-11660 | ARM ASSY, EXHAUST    | 1   | 1   | 1   | 1   | 1   | 1   |   |   |
| 25   | 3    | 114250-11240 | SCREW, VALVE ADJUST. | 1   | 1   | 1   | 1   | 1   | 1   |   |   |
| 26   | 3    | 26856-060002 | LOCK NUT 6           | 1   | 1   | 1   | 1   | 1   | 1   |   |   |
| 27   | 2    | 105010-11490 | CAP, VALVE           | 1   | 1   | 1   | 1   | 1   | 1   |   |   |
| 28   | 1    | 114299-11901 | RETAINER, NOZZLE     | 1   | 1   | 1   | 1   | 1   | 1   |   |   |
| 29   | 1    | 22351-040008 | SPRING PIN 4X 8      | 1   | 1   | 1   | 1   | 1   | 1   |   |   |
| 30   | 1    | 26106-080452 | BOLT M 8X 45 PLATED  | 1   | 1   | 1   | 1   | 1   | 1   |   |   |
| 31   | 1    | 26226-060502 | STUD M 6X 50         | 2   | 2   | 2   | 2   | 2   | 2   |   |   |
| 32   | 1    | 26366-060002 | NUT M 6              | 2   | 2   | 2   | 2   | 2   | 2   |   |   |
| 33   | 1    | 114250-11311 | GASKET, BONNET       | 1   | 1   | 1   | 1   | 1   | 1   |   |   |
| 34   | 1    | 114299-11950 | BONNET ASSY, HEAD    | 1   | 1   | 1   | 1   |     |     |   |   |
| 35   | 1    | 114288-11950 | BONNET ASSY, HEAD    |     |     |     |     | 1   |     |   |   |
| 37   | 2    | 114250-03591 | SHAFT ASSY, DECOMP.  | 1   | 1   | 1   | 1   |     |     | 1 |   |
| 38   | 2    | 114288-03590 | DECOMPRESSION ASSY   |     |     |     |     | 1   |     |   |   |
| 42   | 2    | 114250-03640 | SPRING               | 1   | 1   | 1   | 1   | 1   | 1   |   |   |
| 45   | 2    | 22312-030160 | PARALLEL PIN 3X16    | 1   | 1   | 1   | 1   | 1   | 1   |   |   |
| 48   | 1    | 26106-060552 | BOLT M 6X 55 PLATED  | 2   | 2   | 2   | 2   | 2   | 2   |   |   |

Fig.3. AIR CLEANER & MUFFLER

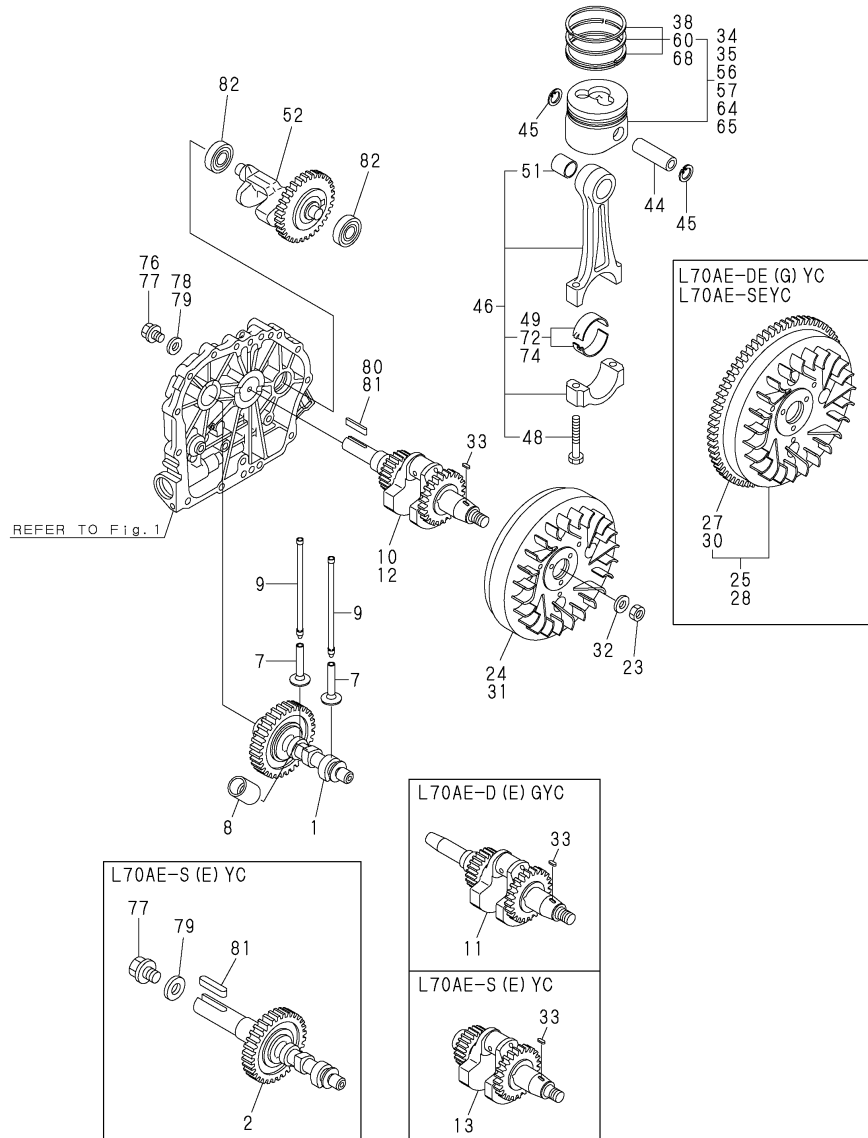


OCR10-G55100 3. AIR CLEANER & MUFFLER

(A)=L70AE-DYC (D)=L70AE-DGYC  
 (B)=L70AE-DEYC (E)=L70AE-DVYC  
 (C)=L70AE-DEGYC (F)=L70AE-S(E)YIC

| REF. | LEV. | PARTS NO.    | DESCRIPTION         | Q'TY |     |     |     |     |     | I | R |
|------|------|--------------|---------------------|------|-----|-----|-----|-----|-----|---|---|
|      |      |              |                     | (A)  | (B) | (C) | (D) | (E) | (F) |   |   |
| 1    | 1    | 114250-12570 | CLEANER, AIR        | 1    | 1   | 1   | 1   |     |     | 1 |   |
| 2    | 2    | 114770-07450 | LABEL, AIR CLEANER  | 1    | 1   | 1   | 1   |     |     | 1 |   |
| 3    | 2    | 114250-12520 | COVER, AIR CLEANER  | 1    | 1   | 1   | 1   |     |     | 1 |   |
| 4    | 2    | 114250-12530 | CASE, AIR CLEANER   | 1    | 1   | 1   | 1   |     |     | 1 |   |
| 5    | 2    | 114250-12560 | WASHER M 6, SEAL    | 1    | 1   | 1   | 1   |     |     | 1 |   |
| 6    | 2    | 114250-12581 | ELEMENT, WET AIR    | 1    | 1   | 1   | 1   |     |     | 1 |   |
| 7    | 1    | 114250-12550 | WING-NUT, M 6       | 1    | 1   | 1   | 1   |     |     | 1 |   |
| 8    | 1    | 114288-12511 | CLEANER, AIR        |      |     |     |     |     |     | 1 |   |
| 9    | 2    | 114650-07450 | LABEL, AIR CLEANER  |      |     |     |     |     |     | 1 |   |
| 10   | 2    | 114288-12520 | COVER COMPL.        |      |     |     |     |     |     | 1 |   |
| 11   | 2    | 114288-12531 | CASE, AIR CLEANER   |      |     |     |     |     |     | 1 |   |
| 12   | 2    | 114252-12560 | WASHER M 8, SEAL    |      |     |     |     |     |     | 1 |   |
| 13   | 2    | 114650-12591 | ELEMENT ASSY        |      |     |     |     |     |     | 1 |   |
| 16   | 1    | 114252-12550 | WING-NUT, M 8       |      |     |     |     |     |     | 1 |   |
| 17   | 1    | 114250-12300 | U-NUT               | 3    | 3   | 3   | 3   | 3   | 3   | 3 |   |
| 18   | 1    | 114299-12210 | GASKET, AIR CLEANER | 1    | 1   | 1   | 1   | 1   | 1   | 1 |   |
| 19   | 1    | 114399-12010 | PIPE, AIR INTAKE    | 1    | 1   | 1   | 1   | 1   | 1   | 1 |   |
| 20   | 1    | 114399-12200 | GASKET, INTAKE      | 1    | 1   | 1   | 1   | 1   | 1   | 1 |   |
| 21   | 1    | 26106-060252 | BOLT M 6X 25 PLATED | 2    | 2   | 2   | 2   | 2   | 2   | 2 |   |
| 22   | 1    | 26226-060142 | STUD M 6X 14 PLATED | 1    | 1   | 1   | 1   | 1   | 1   | 1 |   |
| 23   | 1    | 26226-060552 | STUD M6X 55 PLATED  | 2    | 2   | 2   | 2   | 2   | 2   | 2 |   |
| 24   | 1    | 114299-13200 | GASKET, MUFFLER     | 1    | 1   | 1   | 1   | 1   | 1   | 1 |   |
| 25   | 1    | 114870-13551 | MUFFLER ASSY        | 1    | 1   | 1   | 1   | 1   | 1   | 1 |   |
| 31   | 1    | 114388-13600 | EXHAUST, MUFFLER    |      |     |     |     |     |     | 1 |   |
| 34   | 1    | 26106-060122 | BOLT M 6X 12 PLATED | 2    | 2   | 2   | 2   | 2   | 2   | 2 |   |
| 35   | 1    | 26216-080182 | STUD M 8X 18 PLATED | 2    | 2   | 2   | 2   | 2   | 2   | 2 |   |
| 36   | 1    | 26306-080002 | NUT                 | 2    | 2   | 2   | 2   | 2   | 2   | 2 |   |
| 37   | 1    | 114299-13800 | DEFLECTOR, (EXH)    | 1    | 1   | 1   | 1   | 1   | 1   | 1 |   |

Fig.4. CRANKSHAFT,PISTON & CAMSHAFT



OCR10-G55100 4. CRANKSHAFT,PISTON & CAMSHAFT

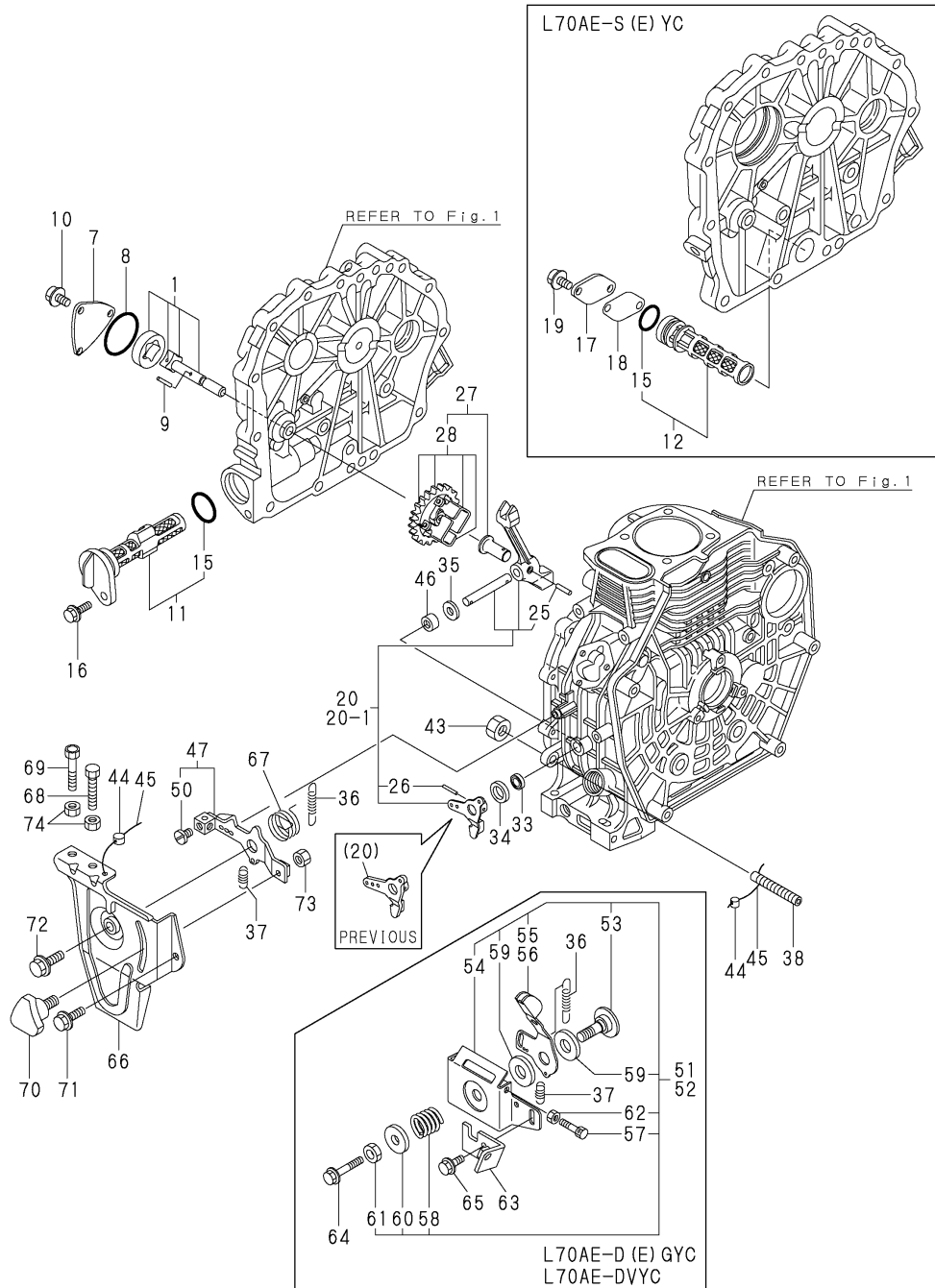
(A)=L70AE-DYC (D)=L70AE-DGYC  
 (B)=L70AE-DEYC (E)=L70AE-DVYC  
 (C)=L70AE-DEGYC (F)=L70AE-S(E)YC

| REF. | LEV. | PARTS NO.    | DESCRIPTION           | QTY |     |     |     |     |     | I | R |
|------|------|--------------|-----------------------|-----|-----|-----|-----|-----|-----|---|---|
|      |      |              |                       | (A) | (B) | (C) | (D) | (E) | (F) |   |   |
| 1    | 1    | 714399-14580 | CAMSHAFT (D) ASSY     | 1   | 1   | 1   | 1   | 1   |     |   |   |
| 2    | 1    | 714870-14670 | CAMSHAFT (S) ASSY     |     |     |     |     |     |     |   | 1 |
| 7    | 1    | 114250-14200 | TAPPET                | 2   | 2   | 2   | 2   | 2   | 2   |   |   |
| 8    | 1    | 114771-14260 | TAPPET,F.O.           | 1   | 1   | 1   | 1   | 1   | 1   |   |   |
| 9    | 1    | 114350-14451 | ROD, PUSH             | 2   | 2   | 2   | 2   | 2   | 2   |   |   |
| 10   | 1    | 714368-21701 | CRANKSHAFT ASSY       | 1   | 1   |     |     |     |     |   |   |
| 11   | 1    | 714368-21741 | CRANKSHAFT ASSY (DG   |     |     | 1   | 1   |     |     |   |   |
| 12   | 1    | 714360-21740 | CRANKSHAFT ASSY, D    |     |     |     |     |     | 1   |   |   |
| 13   | 1    | 714350-21730 | CRANKSHAFT ASSY, S    |     |     |     |     |     |     |   | 1 |
| 23   | 1    | 114299-21220 | NUT                   | 1   | 1   | 1   | 1   | 1   | 1   |   |   |
| 24   | 1    | 114399-21400 | FLYWHEEL, (D          | 1   |     |     | 1   | 1   |     |   |   |
| 25   | 1    | 114399-21590 | FLYWHEEL ASSY, DE     |     | 1   | 1   |     |     |     |   |   |
| 27   | 2    | 114362-21600 | GEAR, RING            |     | 1   | 1   |     |     |     |   |   |
| 28   | 1    | 114399-21570 | FLYWHEEL ASSY, SE     |     |     |     |     |     |     |   | 1 |
| 30   | 2    | 114351-21600 | GEAR, RING            |     |     |     |     |     |     |   | 5 |
| 31   | 1    | 114399-21440 | FLYWHEEL, S           |     |     |     |     |     |     |   | 6 |
| 32   | 1    | 114299-21550 | WASHER, FLYWHEEL      | 1   | 1   | 1   | 1   | 1   | 1   |   |   |
| 33   | 1    | 22512-040120 | KEY 4X 12             | 1   | 1   | 1   | 1   | 1   | 1   |   |   |
| 34   | 1    | 714880-22722 | PISTON W/RINGS        | 1   | 1   | 1   | 1   | 1   |     |   |   |
| 35   | 1    | 714870-22721 | PISTON W/RINGS        |     |     |     |     |     |     |   | 1 |
| 38   | 2    | 714870-22502 | RING SET, PISTON      | 1   | 1   | 1   | 1   | 1   | 1   |   |   |
| 44   | 1    | 114399-22300 | PISTON PIN            | 1   | 1   | 1   | 1   | 1   | 1   |   |   |
| 45   | 1    | 22252-000210 | CIRCLIP 21            | 2   | 2   | 2   | 2   | 2   | 2   |   |   |
| 46   | 1    | 71438G-23700 | ROD ASSY, CONNECTING  | 1   | 1   | 1   | 1   | 1   | 1   |   |   |
| 48   | 2    | 118200-23200 | BOLT,ROD              | 2   | 2   | 2   | 2   | 2   | 2   |   |   |
| 49   | 2    | 714380-23600 | BEARING, CRANK PIN    | 1   | 1   | 1   | 1   | 1   | 1   |   |   |
| 51   | 2    | 114380-23100 | BUSH, PISTON PIN      | 1   | 1   | 1   | 1   | 1   | 1   |   |   |
| 52   | 1    | 714870-28511 | SHAFT ASSY,BALANCER   | 1   | 1   | 1   | 1   | 1   | 1   |   |   |
| 56   | 1    | 714880-22622 | PISTON W/RING OS=.25  | 1   | 1   | 1   | 1   | 1   |     |   | 1 |
| 57   | 1    | 714870-22621 | PISTON W/RING OS=.25  |     |     |     |     |     |     |   | 1 |
| 60   | 2    | 714870-22542 | RING SET O.S=.0.25    | 1   | 1   | 1   | 1   | 1   | 1   |   | 1 |
| 64   | 1    | 714880-22582 | PISTON W/RING OS=0.5  | 1   | 1   | 1   | 1   | 1   |     |   | 2 |
| 65   | 1    | 714870-22581 | PISTON W/RING OS=0.5  |     |     |     |     |     |     |   | 2 |
| 68   | 2    | 714870-22552 | RING SET O.S=0.50     | 1   | 1   | 1   | 1   | 1   | 1   |   | 2 |
| 72   | 1    | 714380-23610 | BEARING,PIN(U.S.=0.25 | 1   | 1   | 1   | 1   | 1   | 1   |   | 3 |
| 74   | 1    | 714380-23620 | BEARING,PIN(U.S.=0.50 | 1   | 1   | 1   | 1   | 1   | 1   |   | 4 |
| 76   | 1    | 160842-21250 | BOLT 7/16-20UNF       | 1   | 1   |     |     |     |     |   |   |
| 77   | 1    | 26106-080202 | BOLT M 8X 20 PLATED   |     |     |     |     |     |     | 1 | 1 |
| 78   | 1    | 160842-21260 | WASHER                | 1   | 1   |     |     |     |     |   |   |
| 79   | 1    | 160310-14550 | WASHER                |     |     |     |     |     |     | 1 | 1 |
| 80   | 1    | 160842-21150 | KEY 6.3X50            | 1   | 1   |     |     |     |     |   |   |
| 81   | 1    | 22512-070360 | KEY 7X 36             |     |     |     |     |     |     | 1 | 1 |
| 82   | 1    | 24101-062020 | BALL BEARING          | 2   | 2   | 2   | 2   | 2   | 2   |   |   |

Remarks

- (1)OVER SIZED(O.S.=0.25)PART.
- (2)OVER SIZED(O.S.=0.50)PART.
- (3)UNDER SIZED(U.S.=0.25)PART.
- (4)UNDER SIZED(U.S.=0.50)PART.
- (5)FOR L70AE-SEYC.
- (6)FOR L70AE-SYC.

Fig.5. LUB.OIL PUMP & GOVERNOR



OCR10-G55100 5. LUB.OIL PUMP & GOVERNOR

(A)=L70AE-DYC  
(B)=L70AE-DEYC  
(C)=L70AE-DEGYC

(D)=L70AE-DGYC  
(E)=L70AE-DVYC  
(F)=L70AE-S(E)YC

| REF. | LEV. | PARTS NO.    | DESCRIPTION          | QTY          |              |              |              |     |     | I | R |
|------|------|--------------|----------------------|--------------|--------------|--------------|--------------|-----|-----|---|---|
|      |      |              |                      | (A)          | (B)          | (C)          | (D)          | (E) | (F) |   |   |
| 1    | 1    | 114250-32010 | PUMP ASSY, LUB.OIL   | 1            | 1            | 1            | 1            | 1   | 1   |   |   |
| 7    | 1    | 114299-32070 | COVER, LUB. OIL PUMP | 1            | 1            | 1            | 1            | 1   | 1   |   |   |
| 8    | 1    | 114299-32570 | O-RING, COVER        | 1            | 1            | 1            | 1            | 1   | 1   |   |   |
| 9    | 1    | 22312-030160 | PARALLEL PIN 3X16    | 1            | 1            | 1            | 1            | 1   | 1   |   |   |
| 10   | 1    | 26476-060142 | BOLT M 6X 14,TAPPING | 3            | 3            | 3            | 3            | 3   | 3   |   |   |
| 11   | 1    | 114299-35110 | FILTER CMP, LUB.OIL  | 1            | 1            | 1            | 1            | 1   | 1   |   |   |
| 12   | 1    | 114299-35100 | FILTER ASSY, LUB.OIL |              |              |              |              |     |     |   | 1 |
| 15   | 2    | 24341-000224 | O-RING 1A S-22.4     | 1            | 1            | 1            | 1            | 1   | 1   |   |   |
| 16   | 1    | 26106-060162 | BOLT M 6X 16 PLATED  | 1            | 1            | 1            | 1            | 1   | 1   |   |   |
| 17   | 1    | 114250-35250 | COVER                |              |              |              |              |     |     |   | 1 |
| 18   | 1    | 114250-35271 | GASKET, STRAINER     |              |              |              |              |     |     |   | 1 |
| 19   | 1    | 26106-060122 | BOLT M 6X 12 PLATED  |              |              |              |              |     |     |   | 2 |
| 20   | 1    | 714350-61500 | LEVER ASSY, GOVERNOR | 1            | 1            | 1            | 1            | 1   | 1   |   |   |
| 20-1 | 1    | 714350-61501 | LEVER ASSY, GOVERNOR | 1            | 1            | 1            | 1            | 1   | 1   |   | S |
|      |      | (A=*2001.08) | (B=*2001.08)         | (C=*2001.08) | (D=*2001.08) | (E=*2001.08) | (F=*2001.08) |     |     |   |   |
| 25   | 3    | 22322-030200 | TAPER PIN 3X20       | 1            | 1            | 1            | 1            | 1   | 1   |   |   |
| 26   | 2    | 22322-030200 | TAPER PIN 3X20       | 1            | 1            | 1            | 1            | 1   | 1   |   |   |
| 27   | 1    | 714299-61700 | GOVERNOR ASSY        | 1            | 1            | 1            | 1            | 1   | 1   |   |   |
| 28   | 2    | 114299-61210 | WEIGHT ASSY,GOVERNOR | 1            | 1            | 1            | 1            | 1   | 1   |   |   |
| 33   | 1    | 114299-61600 | SEAL, OIL            | 1            | 1            | 1            | 1            | 1   | 1   |   |   |
| 34   | 1    | 114770-61610 | WASHER, THRUST       | 1            | 1            | 1            | 1            | 1   | 1   |   |   |
| 35   | 1    | 114299-61190 | WASHER, GOVERNOR     | 1            | 1            | 1            | 1            | 1   | 1   |   |   |
| 36   | 1    | 114399-66010 | SPRING, REGULATOR    | 1            | 1            | 1            | 1            | 1   | 1   |   |   |
| 37   | 1    | 114299-66200 | SPRING, RETURN       | 1            | 1            | 1            | 1            | 1   | 1   |   |   |
| 38   | 1    | 114250-66550 | TORQUE SPRING ASSY   | 1            | 1            | 1            | 1            | 1   | 1   |   |   |
| 43   | 1    | 26776-100002 | LOCK NUT M10 PLATED  | 1            | 1            | 1            | 1            | 1   | 1   |   |   |
| 44   | 1    | 135210-61090 | LEAD                 | 2            | 2            | 2            | 2            | 2   | 2   |   |   |
| 45   | 1    | 22451-060000 | WIRE 0.6             | 2            | 2            | 2            | 2            | 2   | 2   |   |   |
| 46   | 1    | 114770-61520 | BEARING,NEEDLE       | 2            | 2            | 2            | 2            | 2   | 2   |   |   |
| 47   | 1    | 114299-66060 | HANDLE CMP(REGULATOR | 1            | 1            |              |              |     |     |   | 1 |
| 50   | 2    | 26117-050089 | BOLT M 5X 8 PLATED   | 1            | 1            |              |              |     |     |   | 1 |
| 51   | 1    | 183250-66500 | BRACKET ASSY,REGULAT |              |              | 1            | 1            |     |     |   |   |
| 52   | 1    | 114254-66200 | BRACKET ASSY,REGULAT |              |              |              |              |     |     |   | 1 |
| 53   | 2    | 183250-66070 | SHAFT, HANDLE        |              |              | 1            | 1            | 1   |     |   |   |
| 54   | 2    | 183250-66100 | BRACKET, REGULATOR   |              |              | 1            | 1            | 1   |     |   |   |
| 55   | 2    | 183250-66050 | HANDLE, REGULATOR    |              |              | 1            | 1            |     |     |   |   |
| 56   | 2    | 114254-66210 | HANDLE, REGULATOR    |              |              |              |              |     |     |   | 1 |
| 57   | 2    | 114250-66440 | BOLT, ADJUSTING      |              |              | 1            | 1            | 1   |     |   |   |
| 58   | 2    | 104200-66820 | SPRING               |              |              | 1            | 1            | 1   |     |   |   |
| 59   | 2    | 104200-66831 | PLATE, FRICTION      |              |              | 2            | 2            | 2   |     |   |   |
| 60   | 2    | 104200-66850 | WASHER (B)           |              |              | 1            | 1            | 1   |     |   |   |
| 61   | 2    | 26696-100002 | LOCK NUT M10         |              |              | 1            | 1            | 1   |     |   |   |
| 62   | 2    | 26757-060002 | NUT M 6              |              |              | 1            | 1            | 1   |     |   |   |
| 63   | 1    | 114254-66220 | SUPPORT              |              |              |              |              |     |     |   | 1 |
| 64   | 1    | 26106-060452 | BOLT M 6X 45 PLATED  |              |              | 1            | 1            | 1   |     |   |   |
| 65   | 1    | 26476-060142 | BOLT M 6X 14,TAPPING |              |              | 1            | 1            | 1   |     |   |   |
| 66   | 1    | 114299-66101 | STAY, HANDLE         | 1            | 1            |              |              |     |     |   | 1 |
| 67   | 1    | 114252-66252 | SPRING, RETURN       | 1            | 1            |              |              |     |     |   | 1 |
| 68   | 1    | 114299-66440 | BOLT, ADJUSTING      | 1            | 1            |              |              |     |     |   | 1 |
| 69   | 1    | 102100-67080 | BOLT, ADJUSTING      | 1            | 1            |              |              |     |     |   | 1 |
| 70   | 1    | 160725-78350 | KNOB (W/M6X15)       | 1            | 1            |              |              |     |     |   | 1 |

N:Old  $\begin{matrix} \leftarrow \text{Yes} \\ \text{No} \end{matrix}$  New, Q:Old  $\begin{matrix} \leftarrow \text{No} \\ \text{Yes} \end{matrix}$  New, R:Old  $\begin{matrix} \leftarrow \text{Yes} \\ \text{No} \end{matrix}$  New, S:Old  $\begin{matrix} \leftarrow \text{No} \\ \text{Yes} \end{matrix}$  New, W:Add, Z:Discontinued, F:Interchangeable by set, K:Q'ty Change  
++ CONTINUE ++

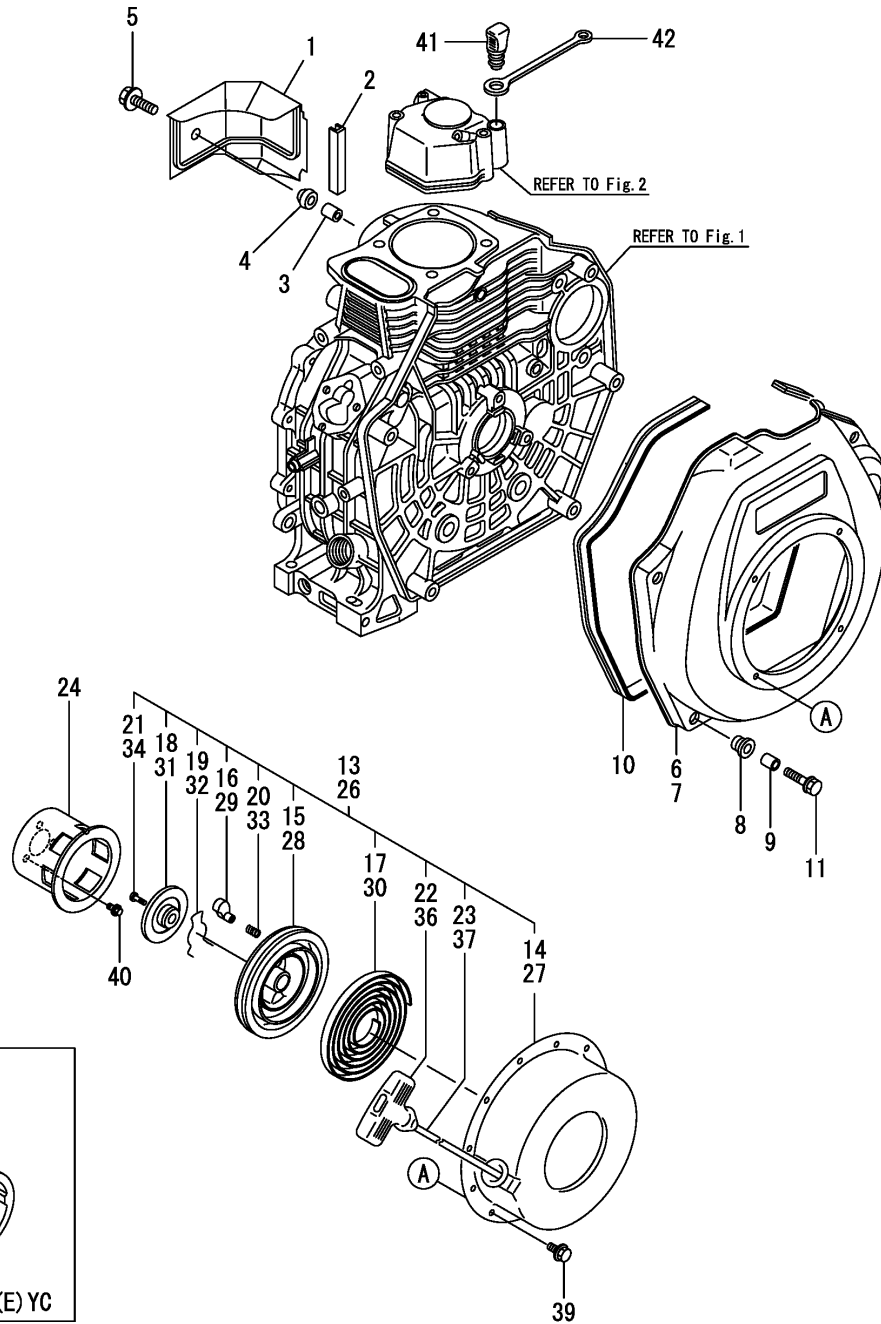




Fig.6. COOLING & STARTING DEVICE

(A)=L70AE-DYC  
(B)=L70AE-DEYC  
(C)=L70AE-DEGYC

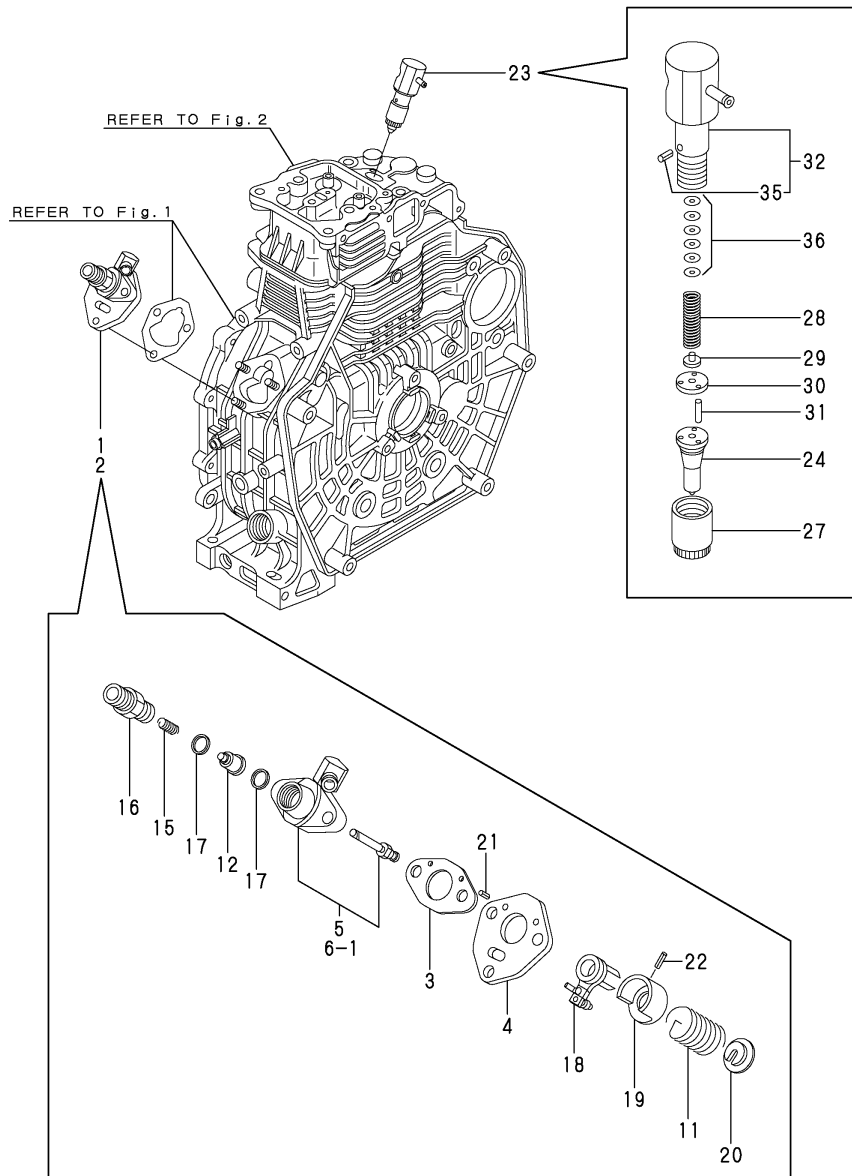
(D)=L70AE-DGYC  
(E)=L70AE-DVYC  
(F)=L70AE-S(E)YC



| REF. | LEV. | PARTS NO.    | DESCRIPTION          | Q'TY |     |     |     |     |     | I | R |
|------|------|--------------|----------------------|------|-----|-----|-----|-----|-----|---|---|
|      |      |              |                      | (A)  | (B) | (C) | (D) | (E) | (F) |   |   |
| 1    | 1    | 114399-45210 | COVER, SYLINDER      | 1    | 1   | 1   | 1   | 1   | 1   |   |   |
| 2    | 1    | 114350-45320 | RUBBER, SEAL         | 1    | 1   | 1   | 1   | 1   | 1   |   |   |
| 3    | 1    | 114399-45340 | COLLAR, CYL.COVER    | 1    | 1   | 1   | 1   | 1   | 1   |   |   |
| 4    | 1    | 183720-55210 | GROMMET              | 1    | 1   | 1   | 1   | 1   | 1   |   |   |
| 5    | 1    | 26106-060202 | BOLT M 6X 20 PLATED  | 1    | 1   | 1   | 1   | 1   | 1   |   |   |
| 6    | 1    | 114399-45100 | CASE D, COOLING FAN  | 1    | 1   | 1   | 1   | 1   | 1   |   |   |
| 7    | 1    | 114870-45100 | CASE,FAN(SILVER)(17) |      |     |     |     |     |     |   | 1 |
| 8    | 1    | 114250-45301 | RUBBER, CUSHION      | 4    | 4   | 4   | 4   | 4   | 4   |   | 4 |
| 9    | 1    | 114299-45310 | COLLAR, FAN CASE     | 4    | 4   | 4   | 4   | 4   | 4   |   | 4 |
| 10   | 1    | 114250-45330 | SEAL, FAN CASE       | 1    | 1   | 1   | 1   | 1   | 1   |   | 1 |
| 11   | 1    | 114370-45351 | BOLT, FAN CASE       | 4    | 4   | 4   | 4   | 4   | 4   |   | 4 |
| 13   | 1    | 114399-76250 | RECOIL STARTER(D)ASY | 1    | 1   | 1   | 1   | 1   | 1   |   |   |
| 14   | 2    | 114399-76510 | CASE, STARTER        | 1    | 1   | 1   | 1   | 1   | 1   |   |   |
| 15   | 2    | 114399-76520 | REEL, RECOIL         | 1    | 1   | 1   | 1   | 1   | 1   |   |   |
| 16   | 2    | 114399-76530 | RATCHET              | 1    | 1   | 1   | 1   | 1   | 1   |   |   |
| 17   | 2    | 114399-76540 | SPRING, SPIRAL       | 1    | 1   | 1   | 1   | 1   | 1   |   |   |
| 18   | 2    | 114399-76550 | COVER, RATCHET       | 1    | 1   | 1   | 1   | 1   | 1   |   |   |
| 19   | 2    | 114399-76560 | SPRING               | 1    | 1   | 1   | 1   | 1   | 1   |   |   |
| 20   | 2    | 114399-76570 | SPRING, RETURN       | 1    | 1   | 1   | 1   | 1   | 1   |   |   |
| 21   | 2    | 114399-76580 | SCREW                | 1    | 1   | 1   | 1   | 1   | 1   |   |   |
| 22   | 2    | 114399-76620 | KNOB, STARTER        | 1    | 1   | 1   | 1   | 1   | 1   |   |   |
| 23   | 2    | 114399-76630 | ROPE, STARTER        | 1    | 1   | 1   | 1   | 1   | 1   |   |   |
| 24   | 1    | 114399-76590 | PULLEY, STARTER      | 1    | 1   | 1   | 1   | 1   | 1   |   |   |
| 26   | 1    | 114870-76251 | STARTER ASSY, RECOIL |      |     |     |     |     |     |   | 1 |
| 27   | 2    | 114870-76511 | CASE, STARTER        |      |     |     |     |     |     |   | 1 |
| 28   | 2    | 114880-76520 | REEL, RECOIL         |      |     |     |     |     |     |   | 1 |
| 29   | 2    | 114870-76530 | RATCHET              |      |     |     |     |     |     |   | 2 |
| 30   | 2    | 114870-76540 | SPRING, SPIRAL       |      |     |     |     |     |     |   | 1 |
| 31   | 2    | 114870-76550 | GUIDE, RATCHET       |      |     |     |     |     |     |   | 1 |
| 32   | 2    | 114870-76560 | SPRING, FRICTION     |      |     |     |     |     |     |   | 1 |
| 33   | 2    | 114870-76570 | SPRING, RETURN       |      |     |     |     |     |     |   | 2 |
| 34   | 2    | 114870-76580 | SET SCREW            |      |     |     |     |     |     |   | 1 |
| 36   | 2    | 114870-76620 | KNOB, STARTER        |      |     |     |     |     |     |   | 1 |
| 37   | 2    | 114870-76630 | ROPE, STARTER        |      |     |     |     |     |     |   | 1 |
| 38   | 1    | 114350-76591 | PULLEY, STARTER      |      |     |     |     |     |     |   | 1 |
| 39   | 1    | 26106-060082 | BOLT M 6X 8 PLATED   | 4    | 4   | 4   | 4   | 4   | 4   |   | 4 |
| 40   | 1    | 26106-060122 | BOLT M 6X 12 PLATED  | 3    | 3   | 3   | 3   | 3   | 3   |   | 3 |
| 41   | 1    | 114299-76600 | PLUNGER              | 1    | 1   | 1   | 1   | 1   | 1   |   | 1 |
| 42   | 1    | 114299-76610 | HOLDER, PLUNGER      | 1    | 1   | 1   | 1   | 1   | 1   |   | 1 |

# Fig.7. FUEL INJECTION PUMP & FUEL INJECTION VALVE

P/C NEWS No:Y00R5510-1  
PUBLISHED:2005/11



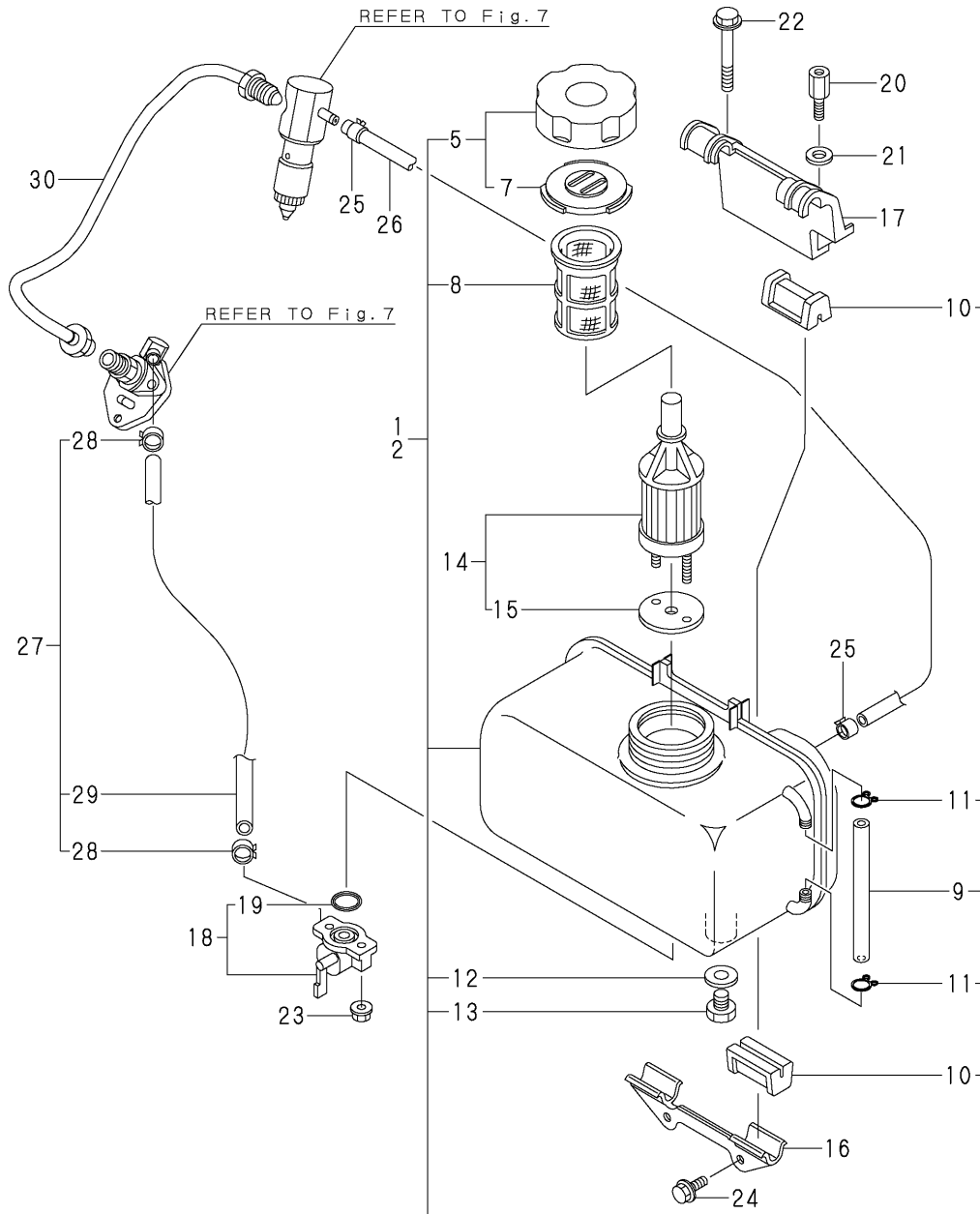
## OCR10-G55100 7. FUEL INJECTION PUMP & FUEL INJECTION VALVE

(A)=L70AE-DYC  
(B)=L70AE-DEYC  
(C)=L70AE-DEGYC

(D)=L70AE-DGYC  
(E)=L70AE-DVYC  
(F)=L70AE-S(E)YC

| REF. | LEV. | PARTS NO.    | DESCRIPTION          | QTY                  |     |     |     |     |     | I | R |  |
|------|------|--------------|----------------------|----------------------|-----|-----|-----|-----|-----|---|---|--|
|      |      |              |                      | (A)                  | (B) | (C) | (D) | (E) | (F) |   |   |  |
| 1    | 1    | 714870-51100 | PUMP ASSY, F.INJECT. | 1                    | 1   |     |     |     | 1   | 1 |   |  |
| 2    | 1    | 714882-51100 | PUMP ASSY, F.INJECT  |                      |     |     | 1   | 1   |     |   |   |  |
| 3    | 2    | 105546-51020 | GASKET               | 1                    | 1   | 1   | 1   | 1   | 1   | 1 |   |  |
| 4    | 2    | 114250-51080 | PLATE                | 1                    | 1   | 1   | 1   | 1   | 1   | 1 |   |  |
| 5    | 2    | 114350-51200 | BODY, F.I. PUMP      | 1                    | 1   |     |     |     | 1   | 1 |   |  |
| I    | 6-1  | 2            | 114350-51200         | BODY ASSY, F.I. PUMP |     |     |     | 1   | 1   |   |   |  |
| 11   | 2    | 114250-51160 | SPRING               | 1                    | 1   | 1   | 1   | 1   | 1   | 1 |   |  |
| 12   | 2    | 114250-51300 | VALVE ASSY, DELIVERY | 1                    | 1   | 1   | 1   | 1   | 1   | 1 |   |  |
| 15   | 2    | 105546-51330 | SPRING, DELIV. VALVE | 1                    | 1   | 1   | 1   | 1   | 1   | 1 |   |  |
| 16   | 2    | 114250-51340 | HOLDER, F.I.P.DELIVE | 1                    | 1   | 1   | 1   | 1   | 1   | 1 |   |  |
| 17   | 2    | 124550-51350 | GASKET, DELIVERY     | 2                    | 2   | 2   | 2   | 2   | 2   | 2 |   |  |
| 18   | 2    | 114250-51600 | LEVER ASSY, CONTROL  | 1                    | 1   | 1   | 1   | 1   | 1   | 1 |   |  |
| 19   | 2    | 114250-51640 | SEAT (A), SPRING     | 1                    | 1   | 1   | 1   | 1   | 1   | 1 |   |  |
| 20   | 2    | 114250-51650 | SEAT (B), SPRING     | 1                    | 1   | 1   | 1   | 1   | 1   | 1 |   |  |
| 21   | 2    | 22351-020006 | SPRING PIN 2X 6      | 2                    | 2   | 2   | 2   | 2   | 2   | 2 |   |  |
| 22   | 2    | 22351-030008 | SPRING PIN 3X 8      | 1                    | 1   | 1   | 1   | 1   | 1   | 1 |   |  |
| 23   | 1    | 714870-53200 | VALVE ASSY, F.INJECT | 1                    | 1   | 1   | 1   | 1   | 1   | 1 |   |  |
| 24   | 2    | 114870-53100 | NOZZLE ASSY,F.INJECT | 1                    | 1   | 1   | 1   | 1   | 1   | 1 |   |  |
| 27   | 2    | 114250-53080 | NUT, NOZZLE CASE     | 1                    | 1   | 1   | 1   | 1   | 1   | 1 |   |  |
| 28   | 2    | 114250-53120 | SPRING, NOZZLE       | 1                    | 1   | 1   | 1   | 1   | 1   | 1 |   |  |
| 29   | 2    | 114250-53130 | SEAT, NOZZLE SPRING  | 1                    | 1   | 1   | 1   | 1   | 1   | 1 |   |  |
| 30   | 2    | 114250-53140 | PLATE, STOP          | 1                    | 1   | 1   | 1   | 1   | 1   | 1 |   |  |
| 31   | 2    | 114250-53210 | PIN                  | 2                    | 2   | 2   | 2   | 2   | 2   | 2 |   |  |
| 32   | 2    | 114250-53300 | HOLDER ASSY, NOZZLE  | 1                    | 1   | 1   | 1   | 1   | 1   | 1 |   |  |
| 35   | 3    | 114250-53331 | PIN, SPRING          | 1                    | 1   | 1   | 1   | 1   | 1   | 1 |   |  |
| 36   | 2    | 114250-53400 | SHIM PACK            | 1                    | 1   | 1   | 1   | 1   | 1   | 1 |   |  |

Fig.8. FUEL TANK & FUEL PIPE

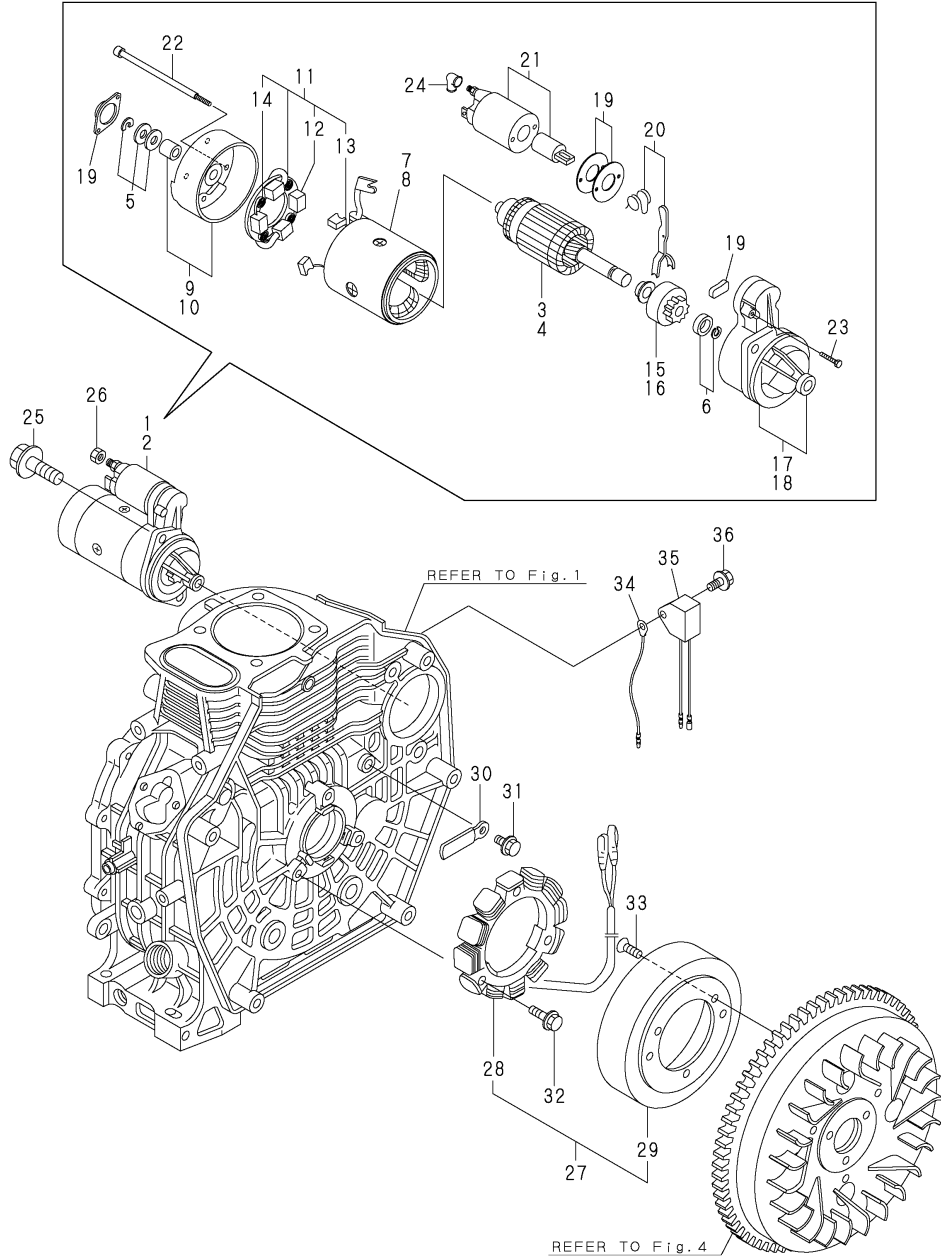


(A)=L70AE-DYC  
(B)=L70AE-DEYC  
(C)=L70AE-DEGYC

(D)=L70AE-DGYC  
(E)=L70AE-DVYC  
(F)=L70AE-S(E)YC

| REF. | LEV. | PARTS NO.    | DESCRIPTION          | QTY |     |     |     |     |     | I | R |
|------|------|--------------|----------------------|-----|-----|-----|-----|-----|-----|---|---|
|      |      |              |                      | (A) | (B) | (C) | (D) | (E) | (F) |   |   |
| 1    | 1    | 714350-55711 | TANK,FUEL (RED)(50)  | 1   | 1   | 1   | 1   |     |     | 1 |   |
| 2    | 1    | 714354-55710 | TANK,FUEL (RED)(50)  |     |     |     |     |     | 1   |   |   |
| 5    | 2    | 114288-55041 | CAP ASSY, FUEL TANK  | 1   | 1   | 1   | 1   | 1   | 1   | 1 |   |
| 7    | 3    | 114288-55081 | VALVE                | 1   | 1   | 1   | 1   | 1   | 1   | 1 |   |
| 8    | 2    | 114250-55100 | FILTER, FUEL         | 1   | 1   | 1   | 1   | 1   | 1   | 1 |   |
| 9    | 2    | 114350-55150 | PIPE, GAUGE          | 1   | 1   | 1   | 1   |     |     | 1 |   |
| 10   | 2    | 114250-55201 | DAMPER, FUEL TANK    | 4   | 4   | 4   | 4   | 4   | 4   | 4 |   |
| 11   | 2    | 103854-55220 | CLAMP                | 2   | 2   | 2   | 2   | 2   | 2   | 2 |   |
| 12   | 2    | 23414-080000 | GASKET 8, ROUND      | 1   | 1   | 1   | 1   | 1   | 1   | 1 |   |
| 13   | 2    | 105300-55080 | PLUG, DRAIN          | 1   | 1   | 1   | 1   | 1   | 1   | 1 |   |
| 14   | 1    | 114250-55121 | FILTER, FUEL OIL     | 1   | 1   | 1   | 1   | 1   | 1   | 1 |   |
| 15   | 2    | 114250-55130 | GASKET               | 1   | 1   | 1   | 1   | 1   | 1   | 1 |   |
| 16   | 1    | 114299-55210 | STAY                 | 1   | 1   | 1   | 1   | 1   | 1   | 1 |   |
| 17   | 1    | 114399-55230 | STAY (B)             | 1   | 1   | 1   | 1   | 1   | 1   | 1 |   |
| 18   | 1    | 114250-55301 | COCK                 | 1   | 1   | 1   | 1   | 1   | 1   | 1 |   |
| 19   | 2    | 24341-000150 | O-RING 1A S-15.0     | 1   | 1   | 1   | 1   | 1   | 1   | 1 |   |
| 20   | 1    | 114650-55810 | BOLT, LIFTING        | 1   | 1   | 1   | 1   | 1   | 1   | 1 |   |
| 21   | 1    | 22117-080000 | WASHER 8             | 1   | 1   | 1   | 1   | 1   | 1   | 1 |   |
| 22   | 1    | 26106-080452 | BOLT M 8X 45 PLATED  | 1   | 1   | 1   | 1   | 1   | 1   | 1 |   |
| 23   | 1    | 26366-060002 | NUT M 6              | 2   | 2   | 2   | 2   | 2   | 2   | 2 |   |
| 24   | 1    | 26476-060142 | BOLT M 6X 14,TAPPING | 2   | 2   | 2   | 2   | 2   | 2   | 2 |   |
| 25   | 1    | 124722-59050 | CLAMP 9              | 2   | 2   | 2   | 2   | 2   | 2   | 2 |   |
| 26   | 1    | 114250-59060 | PIPE, FUEL RETURN    | 1   | 1   | 1   | 1   | 1   | 1   | 1 |   |
| 27   | 1    | 114770-59030 | PIPE ASSY, FUEL OIL  | 1   | 1   | 1   | 1   | 1   | 1   | 1 |   |
| 28   | 2    | 114270-59010 | CLIP,HOSE            | 2   | 2   | 2   | 2   | 2   | 2   | 2 |   |
| 29   | 2    | 114268-59061 | PIPE, FUEL OIL       | 1   | 1   | 1   | 1   | 1   | 1   | 1 |   |
| 30   | 1    | 114350-59800 | PIPE, FUEL INJECTION | 1   | 1   | 1   | 1   | 1   | 1   | 1 |   |

Fig.9. STARTING MOTOR



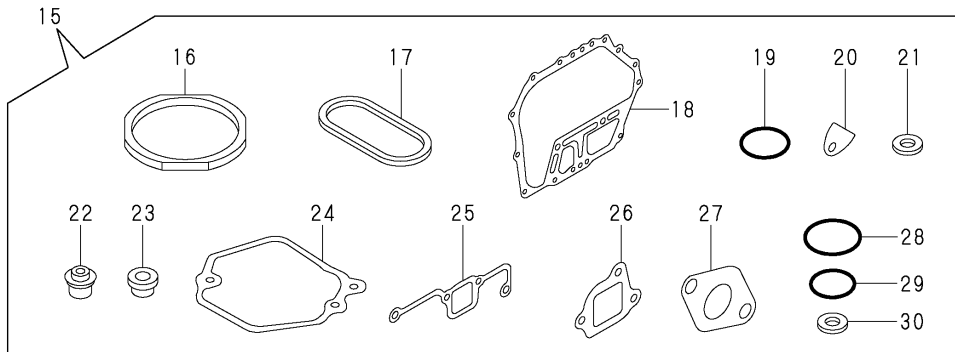
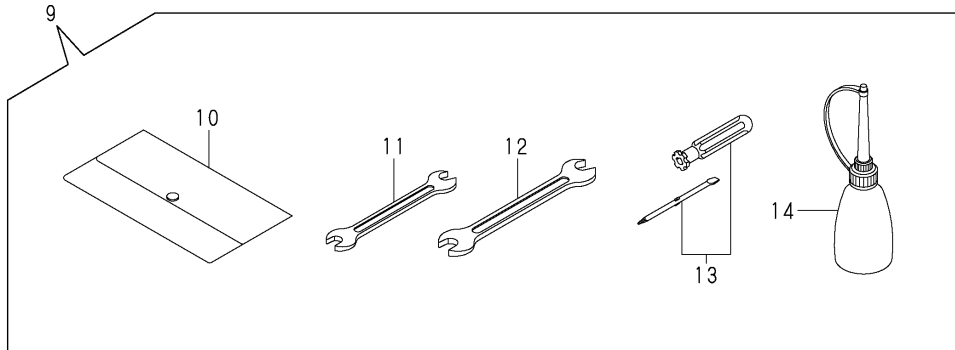
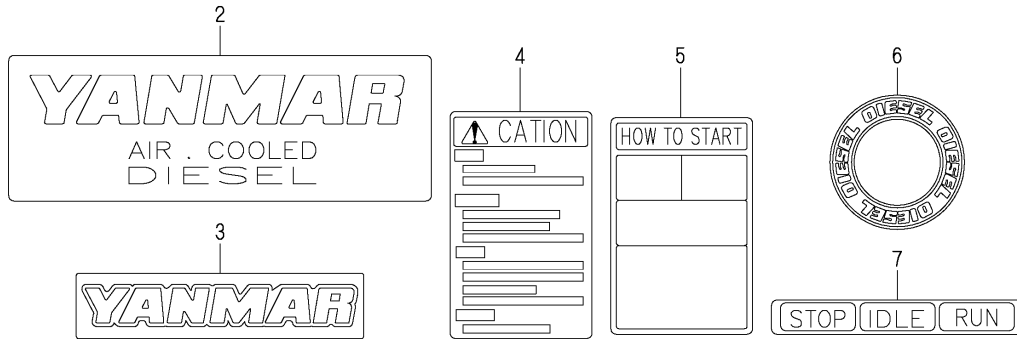
OCR10-G55100 9. STARTING MOTOR

(A)=L70AE-DYC (D)=L70AE-DGYC  
 (B)=L70AE-DEYC (E)=L70AE-DVYC  
 (C)=L70AE-DEGYC (F)=L70AE-S(E)YC

| REF. | LEV. | PARTS NO.    | DESCRIPTION         | Q'TY |     |     |     |     |     | I | R |
|------|------|--------------|---------------------|------|-----|-----|-----|-----|-----|---|---|
|      |      |              |                     | (A)  | (B) | (C) | (D) | (E) | (F) |   |   |
| 1    | 1    | 114362-77011 | STARTER(S114-651A)  | 1    | 1   |     |     |     |     |   |   |
| 2    | 1    | 114351-77011 | STARTER (S114-413A) |      |     |     |     |     | 1   |   | 1 |
| 3    | 2    | 114381-77110 | ARMATURE            | 1    | 1   |     |     |     |     |   |   |
| 4    | 2    | 114371-77110 | ARMATURE            |      |     |     |     |     | 1   |   | 1 |
| 5    | 2    | X2114811000  | WASHER KIT, THRUST  | 1    | 1   |     |     |     | 1   |   | 1 |
| 6    | 2    | X2114715500  | STOPPER SET, PINION | 1    | 1   |     |     |     | 1   |   | 1 |
| 7    | 2    | 114381-77130 | COIL ASSY, FIELD    | 1    | 1   |     |     |     |     |   |   |
| 8    | 2    | 114371-77130 | COIL ASSY, FIELD    |      |     |     |     |     | 1   |   | 1 |
| 9    | 2    | 114381-77140 | COVER, REAR         | 1    | 1   |     |     |     |     |   |   |
| 10   | 2    | 114371-77140 | COVER ASSY, REAR    |      |     |     |     |     | 1   |   | 1 |
| 11   | 2    | 114371-77160 | HOLDER ASSY, BRUSH  | 1    | 1   |     |     |     | 1   |   | 1 |
| 12   | 3    | 114371-79040 | BRUSH (-)           | 2    | 2   |     |     |     | 2   |   | 1 |
| 13   | 3    | 114371-79050 | BRUSH (+)           | 1    | 1   |     |     |     | 1   |   | 1 |
| 14   | 3    | 114371-79060 | SPRING, BRUSH       | 4    | 4   |     |     |     | 4   |   | 1 |
| 15   | 2    | X211485016   | PINION ASSY         | 1    | 1   |     |     |     |     |   |   |
| 16   | 2    | 119226-77650 | PINION ASSY         |      |     |     |     |     | 1   |   | 1 |
| 17   | 2    | 114381-77151 | HOUSING ASSY, GEAR  | 1    | 1   |     |     |     |     |   |   |
| 18   | 2    | 114371-77151 | CASE ASSY, GEAR     |      |     |     |     |     | 1   |   | 1 |
| 19   | 2    | 114371-77170 | COVER KIT, DUST     | 1    | 1   |     |     |     | 1   |   | 1 |
| 20   | 2    | 114371-77180 | SHIFT LEVER KIT     | 1    | 1   |     |     |     | 1   |   | 1 |
| 21   | 2    | 124298-77020 | SWITCH, MAGNET      | 1    | 1   |     |     |     | 1   |   | 1 |
| 22   | 2    | 124195-77770 | THROUGH BOLT        | 2    | 2   |     |     |     | 2   |   | 1 |
| 23   | 2    | 114371-79070 | BOLT M 6X 37        | 2    | 2   |     |     |     | 2   |   | 1 |
| 24   | 2    | X2114274200  | COVER, TERMINAL     | 1    | 1   |     |     |     | 1   |   | 1 |
| 25   | 1    | 26106-100302 | BOLT M10X 30 PLATED | 2    | 2   |     |     |     | 2   |   | 1 |
| 26   | 1    | 26716-080002 | NUT M 8             | 1    | 1   |     |     |     | 1   |   | 1 |
| 27   | 1    | 114399-78250 | DYNAMO ASSY, 1A     | 1    | 1   |     |     |     | 1   |   | 1 |
| 28   | 2    | 114399-78710 | STATOR ASSY         | 1    | 1   |     |     |     | 1   |   | 1 |
| 29   | 2    | 114399-78720 | WHEEL, DYNAMO       | 1    | 1   |     |     |     | 1   |   | 1 |
| 30   | 1    | 160710-78710 | CLAMP, CORD         | 1    | 1   |     |     |     | 1   |   | 1 |
| 31   | 1    | 26106-060122 | BOLT M 6X 12 PLATED | 1    | 1   |     |     |     | 1   |   | 1 |
| 32   | 1    | 26106-060202 | BOLT M 6X 20 PLATED | 3    | 3   |     |     |     | 3   |   | 1 |
| 33   | 1    | 26577-060142 | SCREW M 6X 14       | 3    | 3   |     |     |     | 3   |   | 1 |
| 34   | 1    | 183350-77400 | WIRE, LEAD          | 1    | 1   |     |     |     | 1   |   | 1 |
| 35   | 1    | 160970-77350 | RECTIFIER           | 1    | 1   |     |     |     | 1   |   | 1 |
| 36   | 1    | 26106-060122 | BOLT M 6X 12 PLATED | 1    | 1   |     |     |     | 1   |   | 1 |

Remarks  
 (1)IT IS NOT USED FOR L70AE-SYC.

Fig.10. TOOL,LABEL & GASKET SET



(A)=L70AE-DYC  
(B)=L70AE-DEYC  
(C)=L70AE-DEGYC

(D)=L70AE-DGYC  
(E)=L70AE-DVYC  
(F)=L70AE-S(E)YC

| REF. | LEV. | PARTS NO.    | DESCRIPTION         | Q'TY |     |     |     |     |     | I | R |
|------|------|--------------|---------------------|------|-----|-----|-----|-----|-----|---|---|
|      |      |              |                     | (A)  | (B) | (C) | (D) | (E) | (F) |   |   |
| 2    | 1    | 114299-07100 | LABEL, AIR COOLED   | 1    | 1   | 1   | 1   | 1   | 1   |   |   |
| 3    | 1    | 114299-07110 | LABEL, YANMAR       | 1    | 1   | 1   | 1   | 1   | 1   |   |   |
| 4    | 1    | 114299-07120 | LABEL, CAUTION      | 1    | 1   | 1   | 1   | 1   | 1   |   |   |
| 5    | 1    | 114299-07140 | LABEL, HOW TO START | 1    | 1   | 1   | 1   | 1   | 1   |   |   |
| 6    | 1    | 114299-07160 | LABEL, DIESEL       | 1    | 1   | 1   | 1   | 1   | 1   |   |   |
| 7    | 1    | 183250-07230 | LABEL, OPERATION    |      |     | 1   | 1   | 1   |     |   |   |
| 9    | 1    | 114299-92590 | TOOL ASSY           | 1    | 1   | 1   | 1   | 1   | 1   |   |   |
| 10   | 2    | 114299-92600 | TOOL BAG            | 1    | 1   | 1   | 1   | 1   | 1   |   |   |
| 11   | 2    | 114299-92710 | SPANNA              | 1    | 1   | 1   | 1   | 1   | 1   |   |   |
| 12   | 2    | 114299-92720 | SPANNA              | 1    | 1   | 1   | 1   | 1   | 1   |   |   |
| 13   | 2    | 114299-92730 | DRIVER              | 1    | 1   | 1   | 1   | 1   | 1   |   |   |
| 14   | 2    | 114299-92740 | FITTING, FUEL       | 1    | 1   | 1   | 1   | 1   | 1   |   |   |
| 15   | 1    | 714399-92630 | GASKET SET          | 1    | 1   | 1   | 1   | 1   | 1   |   | 1 |
| 16   | 2    | 114399-01330 | GASKET, CYL. HEAD   | 1    | 1   | 1   | 1   | 1   | 1   |   |   |
| 17   | 2    | 114399-01380 | O-RING              | 1    | 1   | 1   | 1   | 1   | 1   |   |   |
| 18   | 2    | 114399-01410 | GASKET, CRANK CASE  | 1    | 1   | 1   | 1   | 1   | 1   |   |   |
| 19   | 2    | 114299-01950 | O-RING              | 1    | 1   | 1   | 1   | 1   | 1   |   |   |
| 20   | 2    | 114299-01840 | GASKET              | 1    | 1   | 1   | 1   | 1   | 1   |   |   |
| 21   | 2    | 22190-160002 | SEAL WASHER 16S     | 2    | 2   | 2   | 2   | 2   | 2   |   |   |
| 22   | 2    | 114350-11340 | SEAL, VALVE STEM    | 2    | 2   | 2   | 2   | 2   | 2   |   |   |
| 23   | 2    | 114250-11460 | GASKET, NOZZLE      | 1    | 1   | 1   | 1   | 1   | 1   |   |   |
| 24   | 2    | 114250-11311 | GASKET, BONNET      | 1    | 1   | 1   | 1   | 1   | 1   |   |   |
| 25   | 2    | 114399-12200 | GASKET, INTAKE      | 1    | 1   | 1   | 1   | 1   | 1   |   |   |
| 26   | 2    | 114299-12210 | GASKET, AIR CLEANER | 1    | 1   | 1   | 1   | 1   | 1   |   |   |
| 27   | 2    | 114299-13200 | GASKET, MUFFLER     | 1    | 1   | 1   | 1   | 1   | 1   |   |   |
| 28   | 2    | 114299-32570 | O-RING, COVER       | 1    | 1   | 1   | 1   | 1   | 1   |   |   |
| 29   | 2    | 24341-000150 | O-RING 1A S-15.0    | 1    | 1   | 1   | 1   | 1   | 1   |   |   |
| 30   | 2    | 23414-080000 | GASKET 8, ROUND     | 1    | 1   | 1   | 1   | 1   | 1   |   |   |

Remarks  
(1)OPTIONAL

## Part Number Index

All parts are stipulated in the order of part numbers.

(Depending on the area in which the part is used.)

This index will display the location of the part according to each part number.

## PARTS No. INDEX

| PARTS No.    | Fig. | Ref.No. |
|--------------|------|---------|
| 101158-11180 | 2    | 8       |
| 102100-67080 | 5    | 69      |
| 103854-55220 | 8    | 11      |
| 104200-66820 | 5    | 58      |
| 104200-66831 | 5    | 59      |
| 104200-66850 | 5    | 60      |
| 105010-11490 | 2    | 16      |
|              |      | 27      |
| 105300-55080 | 8    | 13      |
| 105425-01690 | 1    | 34      |
|              |      | 47      |
| 105546-51020 | 7    | 3       |
| 105546-51330 | 7    | 15      |
| 114250-03591 | 2    | 37      |
| 114250-03640 | 2    | 42      |
| 114250-11240 | 2    | 20      |
|              |      | 25      |
| 114250-11290 | 2    | 10      |
| 114250-11311 | 2    | 33      |
|              | 10   | 24      |
| 114250-11460 | 2    | 14      |
|              | 10   | 23      |
| 114250-11600 | 2    | 17      |
| 114250-11651 | 2    | 18      |
| 114250-12300 | 3    | 17      |
| 114250-12520 | 3    | 3       |
| 114250-12530 | 3    | 4       |
| 114250-12550 | 3    | 7       |
| 114250-12560 | 3    | 5       |
| 114250-12570 | 3    | 1       |
| 114250-12581 | 3    | 6       |
| 114250-14200 | 4    | 7       |
| 114250-32010 | 5    | 1       |
| 114250-35250 | 5    | 17      |
| 114250-35271 | 5    | 18      |
| 114250-45301 | 6    | 8       |
| 114250-45330 | 6    | 10      |
| 114250-51080 | 7    | 4       |
| 114250-51160 | 7    | 11      |
| 114250-51300 | 7    | 12      |
| 114250-51340 | 7    | 16      |
| 114250-51600 | 7    | 18      |
| 114250-51640 | 7    | 19      |
| 114250-51650 | 7    | 20      |
| 114250-53080 | 7    | 27      |
| 114250-53120 | 7    | 28      |
| 114250-53130 | 7    | 29      |
| 114250-53140 | 7    | 30      |
| 114250-53210 | 7    | 31      |
| 114250-53300 | 7    | 32      |

| PARTS No.    | Fig. | Ref.No. |
|--------------|------|---------|
| 114250-53331 | 7    | 35      |
| 114250-53400 | 7    | 36      |
| 114250-55100 | 8    | 8       |
| 114250-55121 | 8    | 14      |
| 114250-55130 | 8    | 15      |
| 114250-55201 | 8    | 10      |
| 114250-55301 | 8    | 18      |
| 114250-59060 | 8    | 26      |
| 114250-66440 | 5    | 57      |
| 114250-66550 | 5    | 38      |
| 114252-12550 | 3    | 16      |
| 114252-12560 | 3    | 12      |
| 114252-66252 | 5    | 67      |
| 114254-66200 | 5    | 52      |
| 114254-66210 | 5    | 56      |
| 114254-66220 | 5    | 63      |
| 114268-59061 | 8    | 29      |
| 114270-01600 | 1    | 21      |
| 114270-59010 | 8    | 28      |
| 114288-03590 | 2    | 38      |
| 114288-11950 | 2    | 35      |
| 114288-12511 | 3    | 8       |
| 114288-12520 | 3    | 10      |
| 114288-12531 | 3    | 11      |
| 114288-55041 | 8    | 5       |
| 114288-55081 | 8    | 7       |
| 114299-01800 | 1    | 13      |
| 114299-01830 | 1    | 19      |
| 114299-01840 | 1    | 20      |
|              | 10   | 20      |
| 114299-01950 | 1    | 37      |
|              | 10   | 19      |
| 114299-02030 | 1    | 39      |
| 114299-02220 | 1    | 41      |
|              |      | 42      |
| 114299-07100 | 10   | 2       |
| 114299-07110 | 10   | 3       |
| 114299-07120 | 10   | 4       |
| 114299-07140 | 10   | 5       |
| 114299-07160 | 10   | 6       |
| 114299-11901 | 2    | 28      |
| 114299-11950 | 2    | 34      |
| 114299-12210 | 3    | 18      |
|              | 10   | 26      |
| 114299-13200 | 3    | 24      |
|              | 10   | 27      |
| 114299-13800 | 3    | 37      |
| 114299-21220 | 4    | 23      |
| 114299-21550 | 4    | 32      |
| 114299-32070 | 5    | 7       |

| PARTS No.    | Fig. | Ref.No. |
|--------------|------|---------|
| 114299-32570 | 5    | 8       |
|              | 10   | 28      |
| 114299-35100 | 5    | 12      |
| 114299-35110 | 5    | 11      |
| 114299-35150 | 1    | 32      |
| 114299-45310 | 6    | 9       |
| 114299-55210 | 8    | 16      |
| 114299-61190 | 5    | 35      |
| 114299-61210 | 5    | 28      |
| 114299-61600 | 5    | 33      |
| 114299-66060 | 5    | 47      |
| 114299-66101 | 5    | 66      |
| 114299-66200 | 5    | 37      |
| 114299-66440 | 5    | 68      |
| 114299-76600 | 6    | 41      |
| 114299-76610 | 6    | 42      |
| 114299-92590 | 10   | 9       |
| 114299-92600 | 10   | 10      |
| 114299-92710 | 10   | 11      |
| 114299-92720 | 10   | 12      |
| 114299-92730 | 10   | 13      |
| 114299-92740 | 10   | 14      |
| 114350-01452 | 1    | 27      |
| 114350-02100 | 1    | 29      |
| 114350-02113 | 1    | 40      |
| 114350-02200 | 1    | 45      |
| 114350-02210 | 1    | 46      |
| 114350-11101 | 2    | 5       |
| 114350-11113 | 2    | 6       |
| 114350-11340 | 2    | 13      |
|              | 10   | 22      |
| 114350-11470 | 2    | 15      |
| 114350-14451 | 4    | 9       |
| 114350-45320 | 6    | 2       |
| 114350-51200 | 7    | 5       |
|              |      | 6 -1    |
| 114350-55150 | 8    | 9       |
| 114350-59800 | 8    | 30      |
| 114350-76591 | 6    | 38      |
| 114351-21600 | 4    | 30      |
| 114351-77011 | 9    | 2       |
| 114362-21600 | 4    | 27      |
| 114362-77011 | 9    | 1       |
| 114370-45351 | 6    | 11      |
| 114371-77110 | 9    | 4       |
| 114371-77130 | 9    | 8       |
| 114371-77140 | 9    | 10      |
| 114371-77151 | 9    | 18      |
| 114371-77160 | 9    | 11      |
| 114371-77170 | 9    | 19      |

| PARTS No.    | Fig. | Ref.No. |
|--------------|------|---------|
| 114371-77180 | 9    | 20      |
| 114371-79040 | 9    | 12      |
| 114371-79050 | 9    | 13      |
| 114371-79060 | 9    | 14      |
| 114371-79070 | 9    | 23      |
| 114380-23100 | 4    | 51      |
| 114381-77110 | 9    | 3       |
| 114381-77130 | 9    | 7       |
| 114381-77140 | 9    | 9       |
| 114381-77151 | 9    | 17      |
| 114388-13600 | 3    | 31      |
| 114399-01050 | 1    | 1       |
| 114399-01200 | 1    | 6       |
| 114399-01210 | 1    | 7       |
| 114399-01220 | 1    | 8       |
| 114399-01230 | 1    | 10      |
| 114399-01250 | 1    | 9       |
| 114399-01330 | 1    | 11      |
|              | 10   | 16      |
| 114399-01380 | 1    | 12      |
|              | 10   | 17      |
| 114399-01410 | 1    | 25      |
|              | 10   | 18      |
| 114399-01461 | 1    | 26      |
| 114399-01700 | 1    | 4       |
| 114399-11120 | 2    | 7       |
| 114399-12010 | 3    | 19      |
| 114399-12200 | 3    | 20      |
|              | 10   | 25      |
| 114399-21400 | 4    | 24      |
| 114399-21440 | 4    | 31      |
| 114399-21570 | 4    | 28      |
| 114399-21590 | 4    | 25      |
| 114399-22300 | 4    | 44      |
| 114399-45100 | 6    | 6       |
| 114399-45210 | 6    | 1       |
| 114399-45340 | 6    | 3       |
| 114399-55230 | 8    | 17      |
| 114399-66010 | 5    | 36      |
| 114399-76250 | 6    | 13      |
| 114399-76510 | 6    | 14      |
| 114399-76520 | 6    | 15      |
| 114399-76530 | 6    | 16      |
| 114399-76540 | 6    | 17      |
| 114399-76550 | 6    | 18      |
| 114399-76560 | 6    | 19      |
| 114399-76570 | 6    | 20      |
| 114399-76580 | 6    | 21      |
| 114399-76590 | 6    | 24      |
| 114399-76620 | 6    | 22      |

## PARTS No. INDEX

| PARTS No.    | Fig. | Ref.No. |
|--------------|------|---------|
| 114399-76630 | 6    | 23      |
| 114399-78250 | 9    | 27      |
| 114399-78710 | 9    | 28      |
| 114399-78720 | 9    | 29      |
| 114650-07450 | 3    | 9       |
| 114650-12591 | 3    | 13      |
| 114650-55810 | 8    | 20      |
| 114699-01760 | 1    | 35      |
| 114770-07450 | 3    | 2       |
| 114770-59030 | 8    | 27      |
| 114770-61520 | 5    | 46      |
| 114770-61610 | 5    | 34      |
| 114771-14260 | 4    | 8       |
| 114870-11021 | 2    | 1       |
| 114870-13551 | 3    | 25      |
| 114870-45100 | 6    | 7       |
| 114870-53100 | 7    | 24      |
| 114870-76251 | 6    | 26      |
| 114870-76511 | 6    | 27      |
| 114870-76530 | 6    | 29      |
| 114870-76540 | 6    | 30      |
| 114870-76550 | 6    | 31      |
| 114870-76560 | 6    | 32      |
| 114870-76570 | 6    | 33      |
| 114870-76580 | 6    | 34      |
| 114870-76620 | 6    | 36      |
| 114870-76630 | 6    | 37      |
| 114880-76520 | 6    | 28      |
| 118200-23200 | 4    | 48      |
| 119226-77650 | 9    | 16      |
| 124195-77770 | 9    | 22      |
| 124298-77020 | 9    | 21      |
| 124550-51350 | 7    | 17      |
| 124722-59050 | 8    | 25      |
| 135210-61090 | 5    | 44      |
| 160310-14550 | 4    | 79      |
| 160710-78710 | 9    | 30      |
| 160725-78350 | 5    | 70      |
| 160842-21150 | 4    | 80      |
| 160842-21250 | 4    | 76      |
| 160842-21260 | 4    | 78      |
| 160970-77350 | 9    | 35      |
| 183250-07230 | 10   | 7       |
| 183250-66050 | 5    | 55      |
| 183250-66070 | 5    | 53      |
| 183250-66100 | 5    | 54      |
| 183250-66500 | 5    | 51      |
| 183350-77400 | 9    | 34      |
| 183720-55210 | 6    | 4       |
| 714299-61700 | 5    | 27      |

| PARTS No.    | Fig. | Ref.No. |
|--------------|------|---------|
| 714350-21730 | 4    | 13      |
| 714350-55711 | 8    | 1       |
| 714350-61500 | 5    | 20      |
| 714350-61501 | 5    | 20 -1   |
| 714354-55710 | 8    | 2       |
| 714360-21740 | 4    | 12      |
| 714368-21701 | 4    | 10      |
| 714368-21741 | 4    | 11      |
| 714370-11660 | 2    | 22      |
| 714380-23600 | 4    | 49      |
| 714380-23610 | 4    | 72      |
| 714380-23620 | 4    | 74      |
| 71438G-23700 | 4    | 46      |
| 714399-14580 | 4    | 1       |
| 714399-92630 | 10   | 15      |
| 714870-14670 | 4    | 2       |
| 714870-22502 | 4    | 38      |
| 714870-22542 | 4    | 60      |
| 714870-22552 | 4    | 68      |
| 714870-22581 | 4    | 65      |
| 714870-22621 | 4    | 57      |
| 714870-22721 | 4    | 35      |
| 714870-28511 | 4    | 52      |
| 714870-51100 | 7    | 1       |
| 714870-53200 | 7    | 23      |
| 714880-22582 | 4    | 64      |
| 714880-22622 | 4    | 56      |
| 714880-22722 | 4    | 34      |
| 714882-51100 | 7    | 2       |
| X2114274200  | 9    | 24      |
| X2114715500  | 9    | 6       |
| X2114811000  | 9    | 5       |
| X211485016   | 9    | 15      |

| PARTS No. | Fig. | Ref.No. |
|-----------|------|---------|
|-----------|------|---------|

| PARTS No. | Fig. | Ref.No. |
|-----------|------|---------|
|-----------|------|---------|