

# ***GENERAL PURPOSE ENGINE***

GX610  
GX610K1  
GX610  
[PROPANE ENGINE]

**PARTS CATALOGUE**

**2**



GX610

---

FOREWORD INDEX

**1**

---

ENGINE GROUP

**2**

---

PART NUMBER INDEX

**3**

---

PART NAME INDEX

**4**

---



**Instruction for use of parts catalogue**

- **This parts catalogue was prepared based on the latest information available as of January 10, 2006.**
- See the parts catalogue news for any revision that is made after January 10, 2006.
- **Always specify the part number when ordering a part.**
  - Check the model, type, serial numbers, color, maker, and the size as needed before ordering a part.
  - Note that the illustrations (part drawings) can differ from the actual parts in shape. They are given just to help you to refer to the parts.
- **When modifications or additions to this parts catalogue are made, a revised edition will be issued at an appropriate time, with successively progressing revision numbers on the cover. We recommend obtaining such revisions in order to keep your parts catalogue up-to-date at all times. To check whether a parts catalogue revision has been issued, please contact your Honda distributor.**

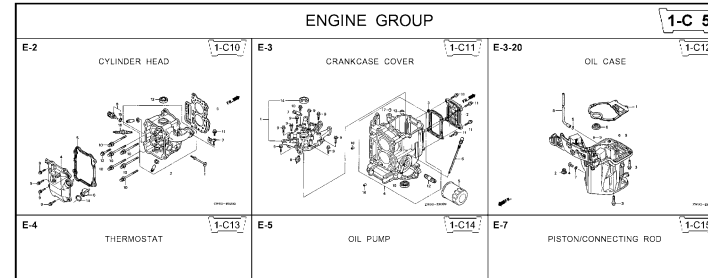
Initial version issue date **October 10, 2001**  
**Honda Motor Co., Ltd.**

**CONTENTS**

	Page	Address No.	
● Instruction for use of parts catalogue .....	1	B 1	<b>1</b>
● How to refer to the part information .....	2	B 2	
● Part catalogue structure .....	3	B 3	
● When the parts were revised.....	4	B 4	
● Abbreviations used in the parts catalogue.....	4	B 4	
● How to check the part block and serial numbers.....	5	B 5	
● Models, parts catalogue codes and applicable serial numbers .....	6	B 6	
● Features of each type.....	12	B12	
● Fuel hose, general purpose hoses and vinyl hose.....	15	B15	
● FLAT RATE SERVICE TIME .....	16	B16	
● Illustrated index .....	21	C 5	
● ENGINE GROUP.....	27	D 1	<b>2</b>
● PART NO. INDEX.....	155	L 1	<b>3</b>
● PART NAME INDEX.....	160	M 1	<b>4</b>

How to refer to the part information

A Reference with "Illustrated index"



B Reference with "Part number index"

PART NO. INDEX

Part Number	Address	Page	Rel.	Part Number	Address	Page
06000				15212-ZW9-000	1-C14	3C
06316-ZW9-000	1-69	88	1	15220-ZW9-003	1-C14	3C
11000				15332-ZW9-000	1-E8	55
11300-ZW9-405	1-C11	27	1	15352-ZW9-A30	1-E11	5E
11300-ZW9-406	1-C11	27	1	15400-PFB-004	1-C11	27
11340-ZW9-000	1-C11	27	2	15422-ZW9-000	1-C14	3C
11342-ZW9-000	1-C11	27	3	15473-881-000	1-C14	3C
11381-ZW9-003	1-C12	28	1	15474-ZW9-000	1-C14	3C
				15611-921-000	1-C10	2E
				15655-ZW9-000	1-C11	27
				16000		
12000				16010-ZV4-005	1-D4	3E
12000-ZW9-405ZA	1-C11	27	4	16011-ZV4-005	1-D4	3E
12155-ZV4-A00	1-C13	29	1	16013-ZW9-003	1-D4	3E
12166-ZW9-000	1-C10	26	1	16016-ZW9-003	1-D4	3E
12209-GB4-681	1-C16	32	1	16016-ZW9-721	1-D4	3E
12210-ZW9-405ZA	1-C10	26	2	16023-ZW9-003	1-D4	3E
12216-ZE2-300	1-E8	55	1	16024-ZV4-650	1-D4	3E
	1-E11	58	1	16028-ZV4-650	1-D4	3E

C Reference with "Part name index"

PART NAME INDEX

Part name	Address	Page	Ref.
[ A ]			
ABSORBER , FUEL	1-E15	62	5
ARMATURE COMP.	1-D11	43	7
ARM COMP. , LINK JOINT	1-G6	85	18
ARM COMP. , SHIFT LINK	1-G6	85	14
ARM COMP. , TILT	1-F15	79	20
ARM , FUEL PUMP ROCKER	1-C16	32	4
ARM , REVERSE LOCK	1-F15	79	18
ARM , SHIFT LINK	1-F11	74	7
ARM , STOPPER	1-D1	33	12
ARM , THROTTLE REMOTE	1-F11	74	6
ARM , VALVE ROCKER	1-C16	32	3
[ B ]			
BAG , TOOL , 160MM	1-G5	84	10
BAND	1-G6	86	37
BAND B1 , WIRE	1-F6	69	1
BAND , CORD	1-F3	67	18
BAND , TUBE CLIP , 11MM	1-E15	63	20
BAND , TUBE CLIP , 12.5MM	1-E15	63	19

Address No. 1-C10

E-2 CYLINDER HEAD

Block No.

Ref No.

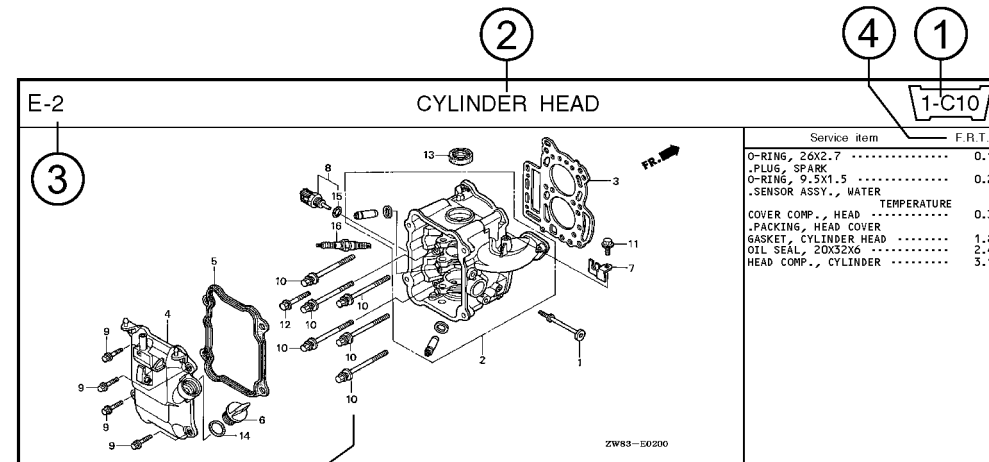
Ref. No.	Part No.	Description	Reqd. QTY						Serial No.	Parts catalogue code
			99D1	99D1	10D1	10D1	10B1	10B1		
1	12166-ZW9-000	STOPPER, ENGINE SIDE	2	2	2	2	2	2		
2	12210-ZW9-000ZA	HEAD COMP., CYLINDER	1	1	1	1	1	1		
3	12251-ZW9-003	GASKET, CYLINDER HEAD	1	1	1	1	1	1		
4	12310-ZW9-000	COVER COMP., HEAD	1	1	1	1	1	1		
5	12312-ZW9-000	PACKING, HEAD COVER	1	1	1	1	1	1		
6	15611-921-000	CAP, OIL (NO GAUGE)	1	1	1	1	1	1		
7	16617-ZW9-000	HOLDER, CABLE	1	1	1	1	1	1	SC,SG	
	16617-ZW9-010		1	1	1	1	1	1	1001800 LHC,LHD	
			1	1	1	1	1	1	1001801 LHC,LHD	
8	35673-ZW5-003	SENSOR ASSY., WATER	1	1	1	1	1	1		
9	90003-ZW9-000	BOLT, FLANGE, 6X22	4	4	4	4	4	4		
10	90007-ZW9-003	BOLT, FLANGE, 8X83	6	6	6	6	6	6		
11	90011-ZW9-000	BOLT, FLANGE, 6X14 (CT200)	1	1	1	1	1	1		
12	90020-ZW9-000	BOLT, FLANGE, 8X40	2	2	2	2	2	2		
13	91202-KJ9-003	OIL SEAL, 20X32X6	1	1	1	1	1	1		
14	91301-805-000	O-RING, 26X2.7	1	1	1	1	1	1		
15	91307-PK2-005	O-RING, 9.5X1.5 (HONDA KIKAKI)	1	1	1	1	1	1		
16	98059-55916	PLUG, SPARK (CR5EH-9)	2	2	2	2	2	2		
	98059-55926	PLUG, SPARK (U16FER9)	2	2	2	2	2	2		

ZW83-80200

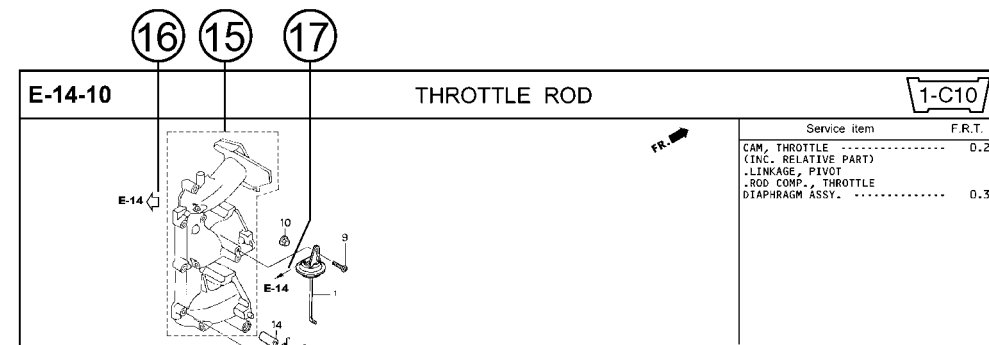
2006.09.20 E

Page No.

**Part catalogue structure**



Ref. No.	Part No.	Description	Reqd. QTY						Serial No.	Parts catalogue code
			BF 9/901	BFP 9/901	BF 1001	BFP 1001	BF 1081	BFP 1081		
1	12166-zw9-000	STOPPER, ENGINE SIDE	2	2	2	2	2	2		
2	12210-zw9-000ZA	HEAD COMP., CYLINDER *NH8* ..... DARK GRAY	1	1	1	1	1	1		
3	12251-zw9-003	GASKET, CYLINDER HEAD	1	1	1	1	1	1		
4	12310-zw9-000	COVER COMP., HEAD	1	1	1	1	1	1		
5	12312-zw9-000	PACKING, HEAD COVER	1	1	1	1	1	1		
6	15611-921-000	CAP, OIL (NO GAUGE)	1	1	1	1	1	1		
7	16617-zw9-000	HOLDER, CABLE	1	1	1	1	1	1	SC,S6	
	16617-zw9-010		1	1	1	1	1	1	1001800 LHC,LHD	



**① Address number**

- Address No. is provided (in place of the page No.) to help you refer to the part with the part No. or part name.

**② Block title ③ Block number**

**④ Service item/Flat rate time**

**⑤ Reference number**

- Title number marked with the parenthesis or parentheses indicates that it continues from the previous page.

**⑥ Part number ⑦ Honda color code**

**⑧ Description**

**⑨ Assemblies**

- Sections framed with broken lines in the exploded view drawings are available as complete assemblies. (Their individual parts can also be obtained.)

**⑩ Color description**

**⑪ Note**

- Notes are shown with the parentheses in the part name column.

**⑫ Required quantity**

- Required QTY shown in the parenthesis or parentheses indicates the optional part.
- Required QTY marked with "N" Indicates the optional part that should be selected as needed.
- Required QTY indicates the number of the part used in the block.

**⑬ Serial number**

**⑭ Type**

- When the type column is blank, it indicates that the part is applicable to all types.
- As the type of the actual unit may differ from the "parts catalogue, type" please refer to "Models, types and applicable serial numbers" for confirmation.

**⑮**

- Parts enclosed within a dotted line are covered in a different block.

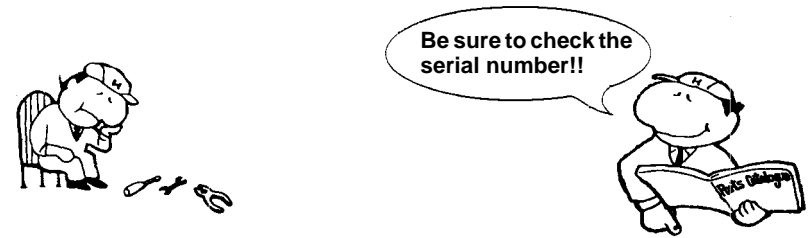
**⑯**

- A hollow arrow indicates the block No. for the parts enclosed within a dotted line .

**⑰**

- A solid arrow indicates the block No. the part in question is connected to.

**When the parts were revised**



Ref. No.	Part No.	Description	Reqd. QTY						Serial No.
			BF 99D1	BFP 9.9D1	BF 10D1	BFP 10D1	BF 10B1	BFP 10B1	
1	12166-ZW9-000	STOPPER, ENGINE SIDE .....	2	2	2	2	2	2	
2	12210-ZW9-000ZA	HEAD COMP., CYLINDER *NH8*.....DARK GRAY	1	1	1	1	1	1	
3	12251-ZW9-003	GASKET, CYLINDER HEAD .....	1	1	1	1	1	1	
4	12310-ZW9-000	COVER COMP., HEAD .....	1	1	1	1	1	1	
5	12312-ZW9-000	PACKING, HEAD COVER .....	1	1	1	1	1	1	
6	15611-921-000	CAP, OIL (NO GAUGE) .....	1	1	1	1	1	1	
7	16617-ZW9-000	HOLDER, CABLE (###).....	1	1	1	1	1	1	SC, SG LHC, LHD LHC, LHD
	16617-ZW9-010	.....	1	1	1	1	1	1	

The number has been used from the initial model without revision.

When shown at the left side, it is applicable to the models of No.1001801 and the subsequent numbers.

When shown at the right side, it is applicable to the models up to No.1001800.

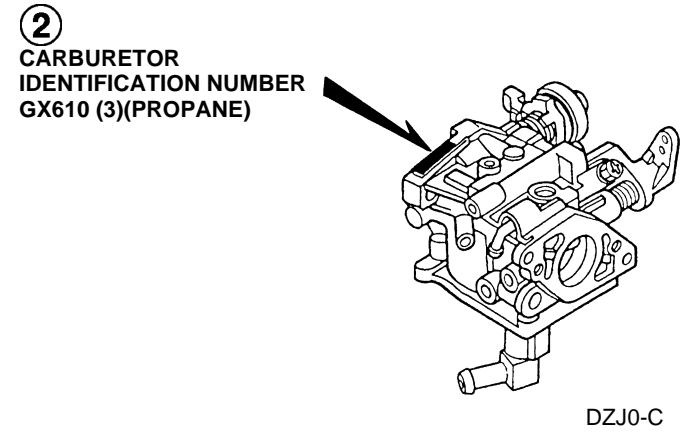
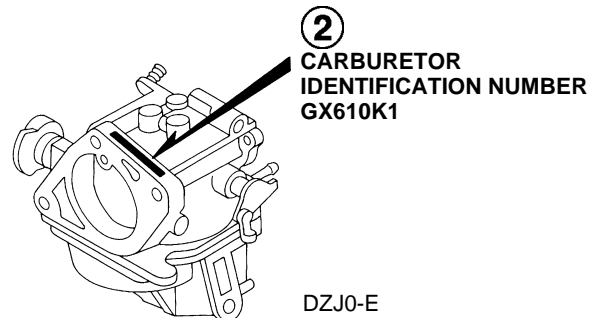
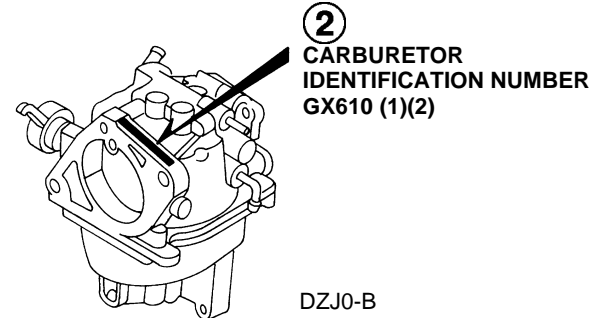
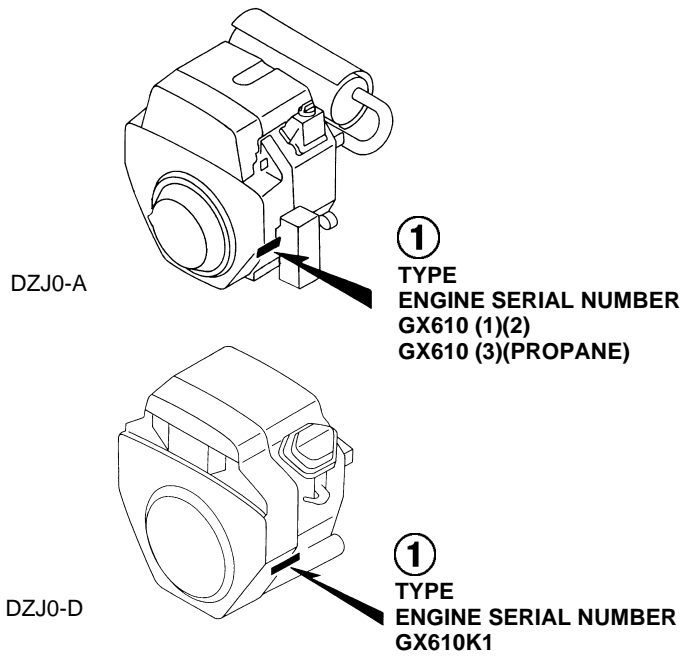
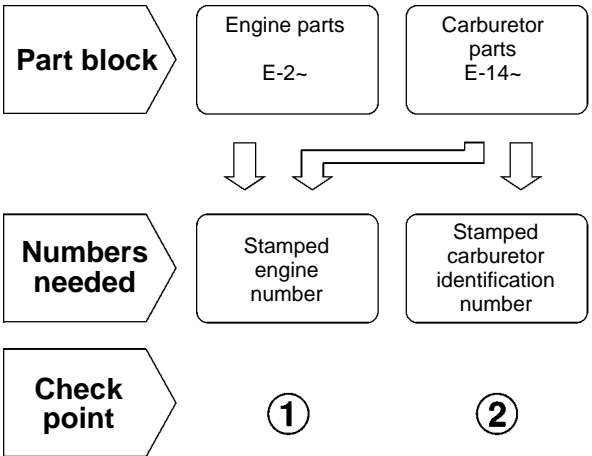
• The parts listed with "###" at the end of the parts name have limited supply period (parts not for sale).

**Abbreviations used in the parts catalogue**

• The following abbreviations are used in the parts name column.

- A ..... Ampere
- A.C. .... Alternating current
- ASSY. .... Assembly
- AT. .... Automatic transmission
- C.D.I. .... Capacitive discharge ignition
- COMP. ... Complete
- D.C. .... Direct current
- EX. .... Exhaust
- G.F.C.I ... Ground fault circuit interruptor
- HEX. .... Hexagonal
- H.S.T. .... Hydrostatic transmission
- FR. ....Front
- IN. ....Inlet
- L (100L) .Link (100 Links)
- L. ....Left
- MM .....Millimeter
- MT. ....Manual Transmission
- P.T.O. ....Power take off
- R. ....Right
- RR. ....Rear
- STD. ....Standard
- T (22T) ...Tooth (22 Teeth)
- V .....Volt
- W .....Watt

How to check the part block and serial numbers





### Models, parts catalogue codes and applicable serial numbers

- Models, parts catalogue codes and applicable serial Nos. given in this parts catalogue can be identified as follows.

Model	Type	Parts catalogue type	Applicable engine serial No.	Applicable carburetor identification No.	
GX610 (1)	PZE	PZE	GCAC-1000001~1999999	BG21A A/B/C	
	QAC6	QAC6	GCAC-1000001~1040471		
	QAF	QAF	GCAC-1000001~1999999		BG21F A/B
	QAF2	QAF2			
	QDA1	QDA1	GCAC-1000001~1040471	BG21A A/B/C	
	QDE	QDE	GCAC-1000001~1999999		
	QDE1	QDE1			
	QDE6	QDE6	GCAC-1000001~1040471		
	QDF	QDF	GCAC-1000001~1999999		BG21A C
	QDF2	QDF2			
	QDF6	QDF6	GCAC-1000001~1040471	BG21A A/B/C	
	QDW	QDW	GCAC-1000001~1999999	BG21A A/B/C, BG21F B	
	QXE4	QXE4			
	QXF6	QXF6			
	QYF	QYF			
	QZA	QZA			
	QZA1	QZA1			
	QZA6	QZA6			
	QZB	QZB			
	QZD	QZD			
QZD1	QZD1				

Model	Type	Parts catalogue type	Applicable engine serial No.	Applicable carburetor identification No.
GX610 (1)	QZE	QZE	GCAC-1000001~1999999	BG21A A/B/C
	QZE4	QZE4		
	QZE6	QZE6		
	QZF	QZF		
	QZF1	QZF1		
	QZF6	QZF6	GCAC-1000001~1040471	BG21A A/B/C
	QZX4	QZX4	GCAC-1000001~1999999	BG21B A/B
	TXF2	TXF2		BG21A A/B, BG21C A/B
	VD	VD		BG21E B
	VXA3	VXA3	GCAC-1000001~1040471	BG21E A/B
	VXD	VXD	GCAC-1000001~1999999	BG21E B
	VXE	VXE		BG21E A/B
	VXE1	VXE1		BG21E B
	VXE3	VXE3		BG21E A/B
	VXE4	VXE4		BG21E B
	VZA	VZA		BG21E A/B
	VZA1	VZA1		BG21E B
VZA4	VZA4	BG21E A/B		
GX610 (2)	Q1	Q1	GCAC-1000001~1040471	BG21A A/B
	S1	S1		
	V1	V1		

Model	Type	Parts catalogue type	Applicable engine serial No.	Applicable carburetor identification No.
GX610K1	PZE	PZE	GCAC-2000001~2059999	BG21H A
		PZE/A	GCAC-2060001~	
	QAD2	QAD2	GCAC-2000001~2059999	
		QAD2/A	GCAC-2060001~	
	QAF	QAF	GCAC-2000001~2059999	
		QAF/A	GCAC-2060001~	
	QAF2	QAF2	GCAC-2000001~2059999	BG21M A
		QAF2/A	GCAC-2060001~	
	QDE	QDE	GCAC-2000001~2059999	BG21H A
		QDE/A	GCAC-2060001~	
	QDF	QDF	GCAC-2000001~2059999	
		QDF/A	GCAC-2060001~	
	QDF2	QDF2	GCAC-2000001~2059999	
		QDF2/A	GCAC-2060001~	
	QDF6	QDF6	GCAC-2000001~2059999	
		QDF6/A	GCAC-2060001~	
QDW	QDW	GCAC-2000001~2059999		
	QDW/A	GCAC-2060001~		
QDX2	QDX2	GCAC-2000001~2059999		
	QDX2/A	GCAC-2060001~		
QWF	QWF	GCAC-2000001~2059999		
	QWF/A	GCAC-2060001~		

Model	Type	Parts catalogue type	Applicable engine serial No.	Applicable carburetor identification No.
GX610K1	QYF	QYF	GCAC-2000001~2059999	BG21H A
		QYF/A	GCAC-2060001~	
	QZA	QZA	GCAC-2000001~2059999	
		QZA/A	GCAC-2060001~	
	QZA6	QZA6	GCAC-2000001~2059999	
		QZA6/A	GCAC-2060001~	
	QZB	QZB	GCAC-2000001~2059999	
		QZB/A	GCAC-2060001~	
	QZB2	QZB2	GCAC-2000001~2059999	
		QZB2/A	GCAC-2060001~	
	QZE	QZE	GCAC-2000001~2059999	
		QZE/A	GCAC-2060001~	
	QZE3	QZE3	GCAC-2000001~2059999	
		QZE3/A	GCAC-2060001~	
	QZE4	QZE4	GCAC-2000001~2059999	
		QZE4/A	GCAC-2060001~	
	QZE6	QZE6	GCAC-2000001~2059999	
		QZE6/A	GCAC-2060001~	
QZF	QZF	GCAC-2000001~2059999		
	QZF/A	GCAC-2060001~		

Model	Type	Parts catalogue type	Applicable engine serial No.	Applicable carburetor identification No.
GX610K1	QZF1	QZF1	GCAC-2000001~2059999	BG21H A
		QZF1/A	GCAC-2060001~	
	QZF8	QZF8	GCAC-2000001~2059999	
		QZF8/A	GCAC-2060001~	
	QZX5	QZX5	GCAC-2000001~2059999	BG21R A
		QZX5/A	GCAC-2060001~	
	SWD	SWD	GCAC-2000001~2059999	BG21J B
		SWD/A	GCAC-2060001~	
	TXF2	TXF2	GCAC-2000001~2059999	BG21M A
		TXF2/A	GCAC-2060001~	
	VD	VD	GCAC-2000001~2059999	BG21N A, BG21Q A
		VD/A	GCAC-2060001~	BG21Q A
	VDF2	VDF2	GCAC-2000001~2059999	BG21H A
		VDF2/A	GCAC-2060001~	
	VEP4	VEP4	GCAC-2000001~2059999	BG21H A
		VEP4/A	GCAC-2060001~	
	VXD	VXD	GCAC-2000001~2059999	BG21N A
		VXD/A	GCAC-2060001~	
VXE	VXE	GCAC-2000001~2059999	BG21H A	
	VXE/A	GCAC-2060001~		
VXE1	VXE1	GCAC-2000001~2059999		
	VXE1/A	GCAC-2060001~		

Model	Type	Parts catalogue type	Applicable engine serial No.	Applicable carburetor identification No.
GX610K1	VXE3	VXE3	GCAC-2000001~2059999	BG21H A
		VXE3/A	GCAC-2060001~	
	VXE4	VXE4	GCAC-2000001~2059999	
		VXE4/A	GCAC-2060001~	
	VZA	VZA	GCAC-2000001~2059999	
		VZA/A	GCAC-2060001~	
	VZA1	VZA1	GCAC-2000001~2059999	BG21P A
		VZA1/A	GCAC-2060001~	
	VZA2	VZA2	GCAC-2000001~2059999	BG21H A
		VZA2/A	GCAC-2060001~	
VZE1	VZE1	GCAC-2000001~2059999	BG21H A	
	VZE1/A	GCAC-2060001~		
GX610 (3) (PROPANE)	QAFP	QAFP	GDAG-1000001~9999999	BGL0A A
	QAFU	QAFU	GDAG-1000001~1000083	
	VXEP	VXEP	GDAG-1000001~9999999	

\* Of carburetor identification numbers, only the portions underlined in the example below are used for registration.

BG21A A KC ナ

Features of each type

- See the following table for the features of each type. (Items in brackets are optional)

Specifications \ Model		GX610															
		Standard equipment (1)															
Type		PZE	QAC6	QAF	QAF2	QDA1	QDE	QDE1	QDE6	QDF	QDF2	QDF6	QDW	QXE4	QXF6	QYF	QZA
Crankshaft	25mm Ø Straight																
	25.4mm Ø Straight	●	●	●	●	●	●	●	●	●	●	●	●	●	●	●	●
	28.575mm Ø Straight																
	5/16" Tapered																
	M10 Tapered																
Charge coil	12V/3A	●				●	●	●	●					●			●
	12V/20A		●	●	●					●	●	●	●		●	●	
Oil alert																	
Fuel tank					●									●			
Recoil starter		●													●		●
Control box		●				●		●							●		●

Specifications \ Model		GX610															
		Standard equipment (1)															
Type		QZA1	QZA6	QZB	QZD	QZD1	QZE	QZE4	QZE6	QZF	QZF1	QZF6	QZX4	TXF2	VD	VXA3	VXD
Crankshaft	25mm Ø Straight																
	25.4mm Ø Straight	●	●	●	●	●	●	●	●	●	●	●	●				
	28.575mm Ø Straight													●			
	5/16" Tapered															●	
	M10 Tapered															●	●
Charge coil	12V/3A	●	●				●	●	●						●	●	●
	12V/20A			●						●	●	●		●			
Oil alert																	
Fuel tank						●											
Recoil starter		●	●	●	●	●	●	●	●	●	●	●	●		●	●	
Control box		●	●				●	●	●					●			

		GX610									
		Standard equipment (1)						Selective equipment(2)			
Specifications	Model	VXE	VXE1	VXE3	VXE4	VZA	VZA1	VZA4	Q1	S1	V1
	Type										
Crankshaft	25mm Ø Straight									●	
	25.4mm Ø Straight								●		
	28.575mm Ø Straight										
	5/16" Tapered	●	●	●	●	●	●	●			●
	M10 Tapered										
Charge coil	12V/3A	●	●	●	●	●	●	●	(●)	(●)	(●)
	12V/20A								(●)	(●)	(●)
Oil alert											
Fuel tank											
Recoil starter						●	●	●	(●)	(●)	(●)
Control box		●	●		●	●	●	●	(●)	(●)	(●)

		GX610K1															
		Standard equipment															
Specifications	Model	PZE	QAD2	QAF	QAF2	QDE	QDF	QDF2	QDF6	QDW	QDX2	QWF	QYF	QZA	QZA6	QZB	QZB2
	Type																
Crankshaft	25mm Ø Straight																
	25.4mm Ø Straight	●	●	●	●	●	●	●	●	●	●	●	●	●	●	●	●
	28.575mm Ø Straight																
	5/16" Tapered																
	M10 Tapered																
Charge coil	12V/3A	●				●								●	●		
	12V/20A		●	●	●		●	●	●	●	●	●	●			●	●
Oil alert		●												●	●	●	●
Fuel tank																	
Recoil starter		●												●	●	●	●
Control box		●												●	●	●	●



Specifications		Model	GX610K1														
			Standard equipment														
Type		QZE	QZE3	QZE4	QZE6	QZF	QZF1	QZF8	QZX5	SWD	TXF2	VD	VDF2	VEP4	VXD	VXE	VXE1
Crankshaft	25mm Ø Straight									•							
	25.4mm Ø Straight	•	•	•	•	•	•	•	•								
	28.575mm Ø Straight										•						
	5/16" Tapered													•		•	•
	M10 Tapered											•	•		•		
Charge coil	12V/3A	•	•	•	•						•	•		•	•	•	•
	12V/20A					•	•	•		•	•		•				
Oil alert		•	•	•	•		•	•	•		•	•		•	•	•	•
Fuel tank																	
Recoil starter		•	•	•	•	•	•	•	•		•						
Control box		•	•	•	•		•	•			•			•		•	•

Specifications		Model	GX610K1					GX610		
			Standard equipment					Propane (3)		
Type		VXE3	VXE4	VZA	VZA1	VZA2	VZE1	QAFP	QAFU	VXEP
Crankshaft	25mm Ø Straight									
	25.4mm Ø Straight							•	•	
	28.575mm Ø Straight									
	5/16" Tapered	•	•	•	•	•	•			•
	M10 Tapered									
Charge coil	12V/3A	•	•	•	•		•			•
	12V/20A							•	•	
Oil alert		•	•	•	•	•	•			
Fuel tank										
Recoil starter				•	•		•			
Control box			•	•	•		•			•

## Fuel hose, general purpose hoses and vinyl hose

- The standard part fuel hose, general purpose hose and vinyl hose may be substituted by the coiled bulk part.
- When ordering the standard part fuel hose, general purpose hose and vinyl hose use the bulk part number written in the parts catalog in brackets ( ) underneath the part name.
- When exchanging the hose, cut and use at the specified length as mentioned in the part name.  
(For the method of cutting the bulk part, and method of filling out orders etc., please refer to the instructions issued with the bulk part.)

### Bulk part number of fuel hose, general purpose hose and vinyl hose.

Example: 9 5 0 0 1 - 7 5 0 0 1 - 5 0 M

**Bulk part number:**  
Refers to the bulk part.

**Marking code (fuel hose and general purpose hose)**

**Change code (Vinyl hose)**

Indicates number mark or change sequence, however, the code for the bulk part must be strictly 0 (zero).

**Types of code:**

- |             |  |                |             |              |               |
|-------------|--|----------------|-------------|--------------|---------------|
| • Fuel hose | 2: Red outside braid<br>(3 mm inside dia. only)        | • General hose | 1: Ash gray | • Vinyl hose | 1: Clear      |
|             | 5: Black inside braid                                  |                | 2: Ash gray |              | 2: Black      |
|             | 3: Red (3 mm inside dia. only)                         |                | 3: Black    |              | 3: Light red  |
|             | 4: Ash gray with red stripe<br>(3 mm inside dia. only) |                | 5: Black    |              | 6: Light red  |
|             | 6: Black   |                |             |              | 7: Pale black |

**Lengths:**

- 001: 1 m (standard)  
003: 3 m  
008: 8 m } Application or specification of some parts is not settled.

**I.D code: (fuel hose and general purpose hose)**

- |            |                    |                    |                             |                             |
|------------|--------------------|--------------------|-----------------------------|-----------------------------|
| 30: 3.0 mm | 50: 5.0 mm         | 70: 7.0 mm         | 11: 11 mm                   | 12: 12 (outside dia. 17) mm |
| 35: 3.5 mm | 55: 5.3 mm, 5.5 mm | 75: 7.3 mm, 7.5 mm | 91: 12 (outside dia. 15) mm | 14: 14 mm                   |
| 45: 4.5 mm | 65: 6.5 mm         | 80: 8.0 mm         | 92: 12 (outside dia. 16) mm | 17: 17 mm                   |

**ID./OD. code: (vinyl hose)**

- |                         |                          |                           |                           |                           |
|-------------------------|--------------------------|---------------------------|---------------------------|---------------------------|
| 01: ID. 2.9, OD. 6.8 mm | 12: ID. 5.0, OD. 7.0 mm  | 21: ID. 8.0, OD. 9.0 mm   | 37: ID. 11.0, OD. 15.0 mm | 50: ID. 16.0, OD. 19.0 mm |
| 03: ID. 3.0, OD. 6.0 mm | 10: ID. 5.0, OD. 8.0 mm  | 23: ID. 8.0, OD. 12.0 mm  | 38: ID. 12.0, OD. 13.0 mm | 55: ID. 17.5, OD. 20.5 mm |
| 05: ID. 3.5, OD. 6.5 mm | 11: ID. 5.0, OD. 9.0 mm  | 25: ID. 9.0, OD. 11.0 mm  | 39: ID. 12.0, OD. 14.0 mm | 60: ID. 22.0, OD. 27.0 mm |
| 07: ID. 4.0, OD. 7.0 mm | 14: ID. 6.0, OD. 9.0 mm  | 27: ID. 9.0, OD. 13.0 mm  | 40: ID. 12.0, OD. 16.0 mm |                           |
| 08: ID. 4.5, OD. 6.5 mm | 17: ID. 7.0, OD. 9.0 mm  | 33: ID. 10.0, OD. 14.0 mm | 43: ID. 13.0, OD. 15.0 mm |                           |
| 09: ID. 4.5, OD. 8.0 mm | 19: ID. 7.0, OD. 11.0 mm | 36: ID. 11.0, OD. 13.0 mm | 45: ID. 14.0, OD. 18.0 mm |                           |

**Hose type:**

- 1: Fuel hose  
3: Vinyl hose  
5: General hose

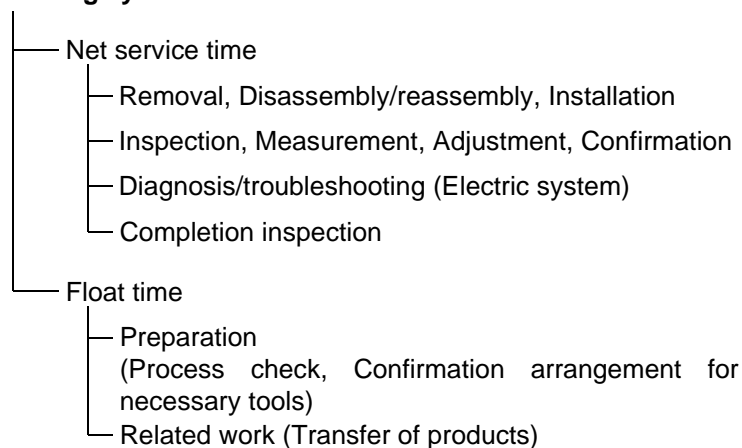
⊙ **CAUTION: It is DANGEROUS to confuse the fuel hose with the general purpose hose or vinyl hose.**

Never use a general purpose hose or vinyl hose in place of a fuel hose or vice versa. Always use the correct bulk part in the parts catalogue, according to the service manual or the instructions issued with the bulk part.

## FLAT RATE SERVICE TIME

Flat rate service time (FRT) means the standard time required to service a product, which is listed in this manual to help the dealers control the actual working process and calculate the service charge by using it as a guide.

### FRT setting system



\* Float time is set by multiplying the net service time by a given coefficient.

### Editorial style

The service items shown in the text are listed with the exchange work time for the repair sales parts as the subject. Other representative service items not using repair parts (removal/installation, adjustment, inspection/measuring, and other work) are listed collectively in the list in the preface, classified according to the work.

### FRT setting standard

- Decimal system (in unit of 0.1) is adopted to set FRT as it is convenient to calculate the wage.  
Example: (0.1) → 6 minutes, (0.2) → 12 minutes  
[Labor cost per hour] x [FRT] = [Wage]
- FRT is set with a hand tool.
- Service items and FRT can be subject to change depending on development of tools and service equipment and improvement in service procedure.

**Work procedure**

- As the work procedure is set with the work time according to the method in the separate Service Manual, refer to this Manual as required.
- Work methods permitting servicing in the shortest time still permitting assurance of safe work and product warranty are used for the setting of service items not listed in the Service Manual.
- Work basically is to be performed by one person, and when two or more people are required, setting is done as the total time for the number of people.
- The set value for the technological level of the workers uses a person with three years of experience in the repair of Honda products as the standard.
- Special tools and service equipment used to set FRT are those specified or recommended in Service Manual.

**Service item whose FRT is not presented**

- Accessories and service parts that are not listed to use in this manual.
  - Locations with little aging deterioration or breakage during normal use.
  - Service work that can be finished by one touch.
  - Service work that is seldom done (i.e. extremely small causes of trouble and service frequency).
  - Products and parts whose location for installation differs according to its status of use and application.
- \* When FRT is not presented, please calculate wages based on appropriate actual work time.

**Operation not included of FRT**

- Oil and coolant water draining, Waiting time for warming up operation and etc..
- Additional operation that involves removal/installation of standard exterior equipment.
- Indirect time spent for service by visiting the customer, trade-in, and delivery.
- Indirect time required for ordering and delivery of parts.
- Cost for grease, adhesive agent, etc. used for service work.

**Explanation of FRT by using an example  
(The example may differ from the actual presented items)**

Ref. No.	L.O.N.	(Relative ref. Number) Description	F.R.T.
①	1111L1	(1, 3, 4, 7) VALVE, INTAKE .....4.1	②
③	1111L1A	• NOTE: OHV type	⑦
		• Includes: Engine removal and installation	
		One head (intake all) add .....1.4	⑤

- ① Reference No. of the illustration of part that shows location of the replacement work.
- ② FRT is an abbreviation of Flat Rate Time indicating the standard service time required for the replacement.
- ③ LON is an abbreviation of Labor Operation Number, and it is a classification of the service items by the work unit code.

The same operation code is used regardless of the models.

Standard operation is indicated with 6 digits code, and additional operation is indicated with 7 digits code.

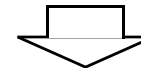
- ④ Indicating the intake valve replacement and FRT4.1.
- ⑤ Indicating FRT1.4 that will be added when additional operation (whole intake side of one cylinder head) is done in association with intake valve replacement.

- ⑥ Indicating work condition or application condition of the service item.
- ⑦ Indicating work contents that are included in the service item.
- ⑧ Indicating a reference No. whose operation and time are the same as FRT4.1 for the intake valve.

(The application range is limited to the service items without an LON setting within a same block.)

**How to refer to the service item by using the sample  
(intake valve replacement)**

Open to the page of the block where the intake valve's spare part illustration is shown.



Look for the intake valve illustration, and refer to the service item and FRT that agree with the reference No.

Indication mark for the listing of service items that continues to the following page

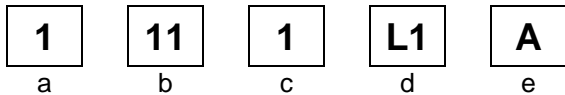
Ref. No.	L.O.N.	(Relative ref. Number) Description	F.R.T.
2	1111L1	VALVE, INTAKE .....	4.1
	.	.	.
	.	.	.

+  
Mark indicated at the last line.

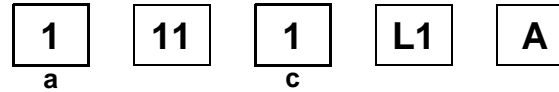
Indication of the block with no setting of FRT

Ref. No.	L.O.N.	(Relative ref. Number) Description	F.R.T.
NO INFORMATION .....			

• LON code system



- a) Category code..... Engine
- b) Location/function code ..... Engine upper
- c) Operation code..... Replace
- d) Operation sequence number (Unit code can be shown with alphabet)  
..... Intake valve  
(No regular rule of code)
- e) Additional code ..... One head (intake all)  
(No regular rule of code)



a) Category codes and classification

Code	Category
1	Engine
2	Power drive
3	Fuel & Exhaust
4	Frame & Body
5	Steering
6	Electrical
7	Axle & Brake
8	Control system
9	-
0	Attachments

c) Operation codes and classification

Code	Operation category
1	Replace, Removal/Installation, Change
2	Overhaul
3	Adjust, Rotation
4	(Paint-related work: Top-coat)
5	Test, Inspect/diagnose, Measurement
6	(Overhaul-related work: Rebore)
7	(Overhaul-related work: Reseal)
8	(Resurface)
9	(Paint-related work: Refinish)
0	Repair, Cleaning, Air bleeding

Major service items without using spare parts

(1) Removal/Installation, (2) Adjustment, (3) Inspection/Measurement, (4) Overhaul, (5) Other work

E: Engine, T: Transmission, D: Drive system, B: Body and related parts

1

### (1) Removal/Installation

Set with the parts configuration in the status of being removed from the product.

	LON	DESCRIPTION	FRT
E	1111N0	<b>CYLINDER HEAD ASSEMBLY-REMOVAL/INSTALLATION</b>	
	1111N1	LEFT	1.2
	1111N2	RIGHT	1.2
	1111N2	BOTH	1.6

### (2) Adjustment

	LON	DESCRIPTION	FRT
E	1113A1	<b>VALVE CLEARANCE-ADJUSTMENT</b> NOTE: For 1 product	0.4
	1163A0	<b>CONTROL, THROTTLE/GOVERNOR-ADJUSTMENT</b>	0.3
	3113A2	<b>CARBURETOR IDLE-ADJUSTMENT</b>	0.2

### (3) Inspection, Measurement, Cleaning

	LON	DESCRIPTION	FRT
E	1105A0	<b>ENGINE OIL-INSPECTION</b>	0.1
	3120A0	<b>AIR CLEANER-CLEANING</b> INCLUDES: Air cleaner-inspection	0.2
	3130A0	<b>SPARK ARRESTER-CLEANING</b>	0.2
	6140A0	<b>SPARK PLUG-ADJUSTMENT/CLEANING</b> NOTE: For 1 product	0.1

### (4) Overhaul

Work condition: The required Measurements, inspections, adjustments, and cleaning/washing of each part are performed, including the main body removal/installation work and the replacement of defective parts.

	LON	DESCRIPTION	FRT
E	3112A0	<b>CARBURETOR-OVERHAUL</b> INCLUDES: All necessary adjustment	0.6

### (5) Other work

	LON	DESCRIPTION	FRT
E	1101E1	<b>ENGINE OIL-CHANGE</b> INCLUDES: Engine oil-inspection	0.1

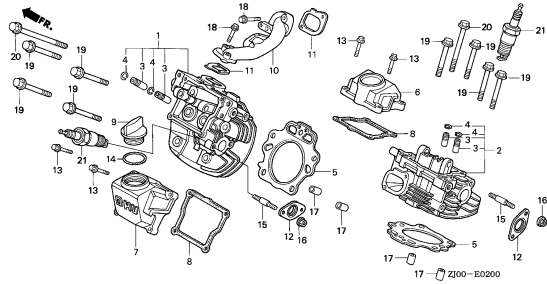
# ENGINE GROUP

C 5

E-2

CYLINDER HEAD(1)

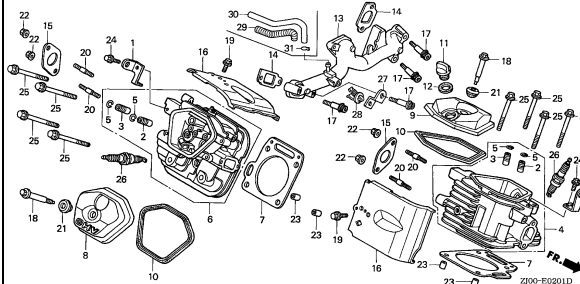
D 1



E-2-1

CYLINDER HEAD(2)

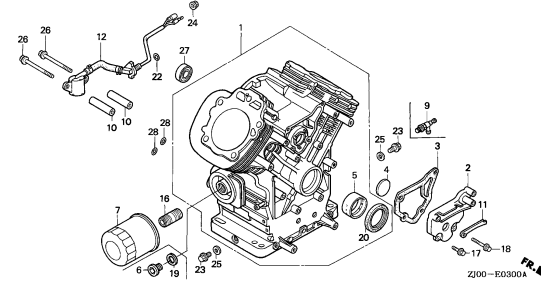
D 3



E-3

CYLINDER BARREL(1)

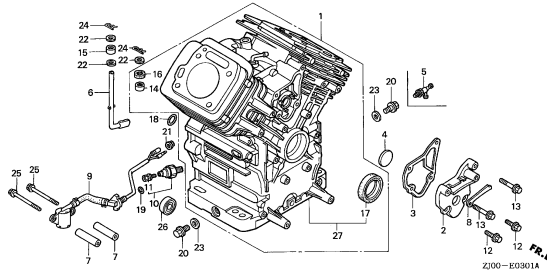
D 6



E-3-1

CYLINDER BARREL(2)

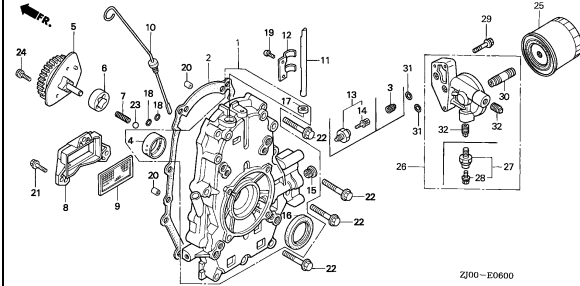
D 8



E-6

CRANKCASE COVER(1)

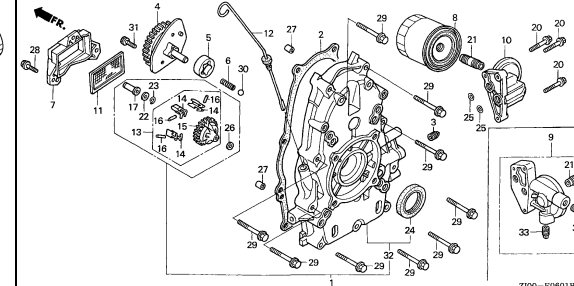
D11



E-6-1

CRANKCASE COVER(2)

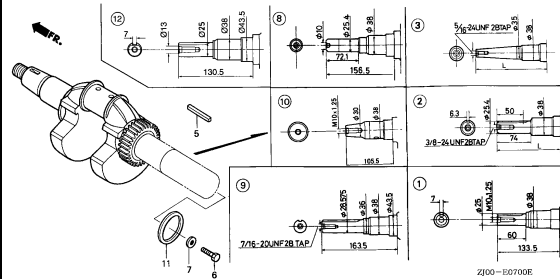
D14



E-7

CRANKSHAFT (1)

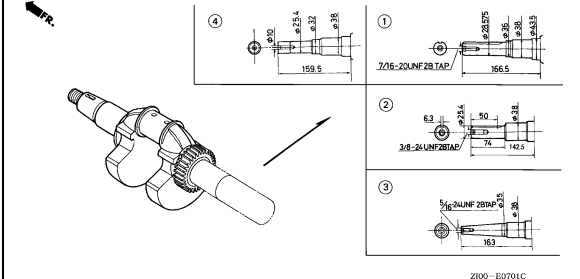
E 2



E-7-1

CRANKSHAFT (2)

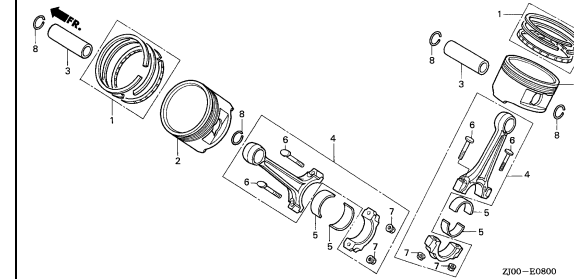
E 4



E-8

PISTON(1)

E 5



2



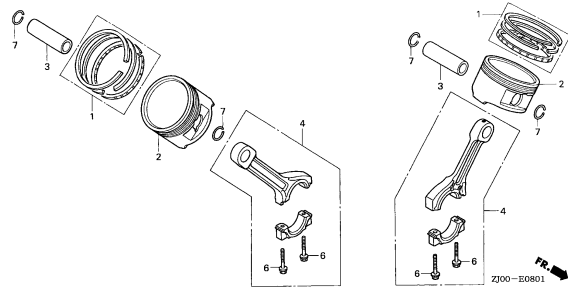
# ENGINE GROUP

C 6

E-8-1

PISTON(2)

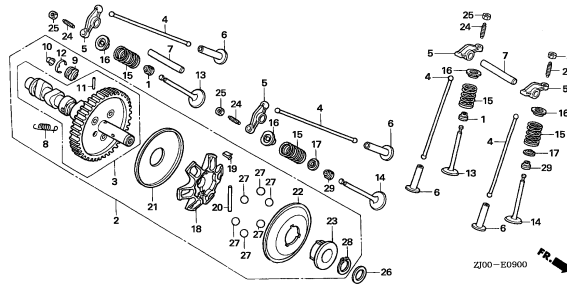
E 7



E-9

CAMSHAFT(1)

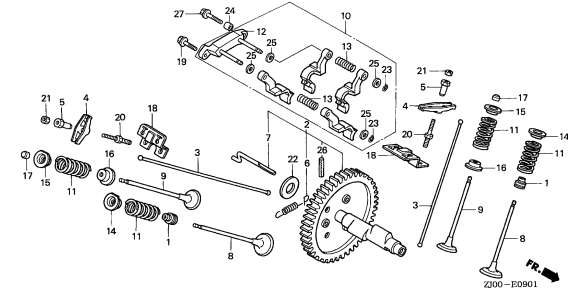
E 8



E-9-1

CAMSHAFT(2)

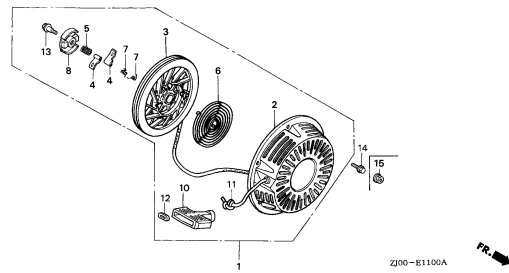
E15



E-11

RECOIL STARTER

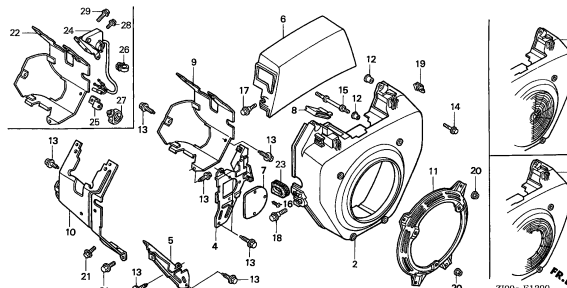
F 5



E-12

FAN COVER(1)

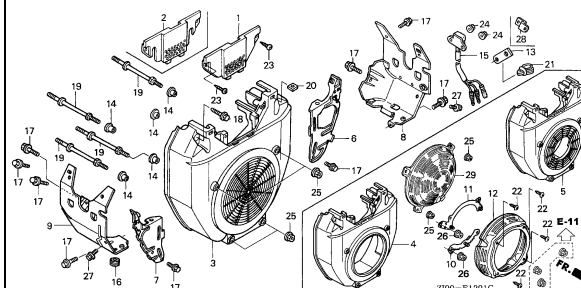
F 8



E-12-1

FAN COVER(2)

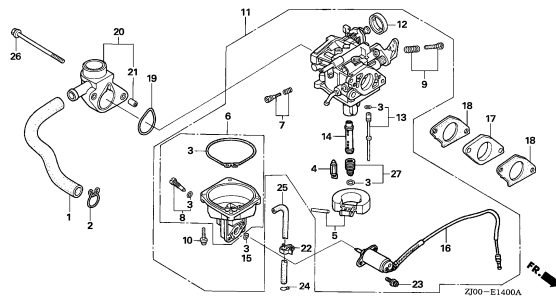
F10



E-14

CARBURETOR(1)

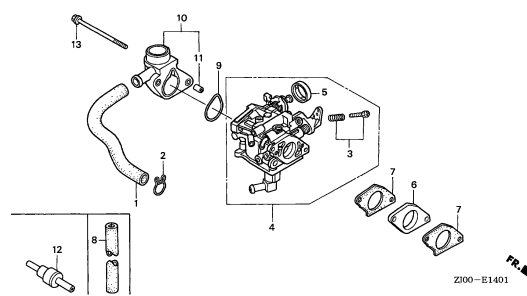
F14



E-14-1

CARBURETOR(2)

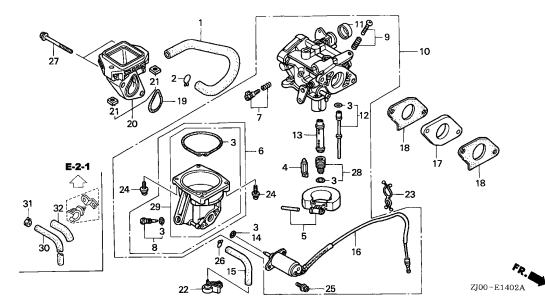
G 2



E-14-2

CARBURETOR(3)

G 3



2

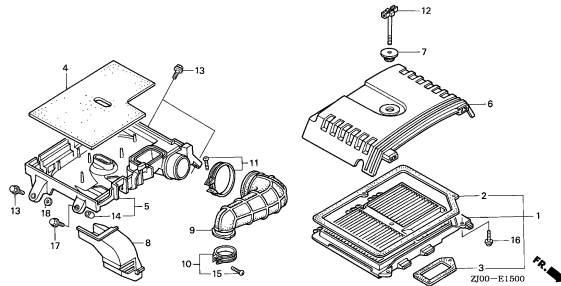
# ENGINE GROUP

C 7

E-15

AIR CLEANER(1)

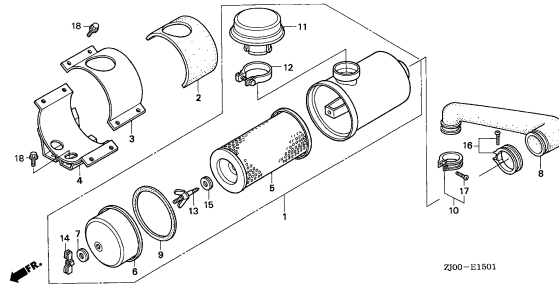
G 8



E-15-1

AIR CLEANER(2)

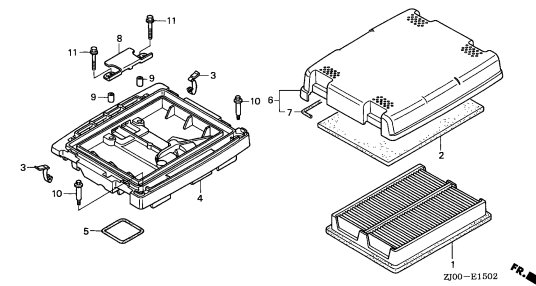
G11



E-15-2

AIR CLEANER(3)

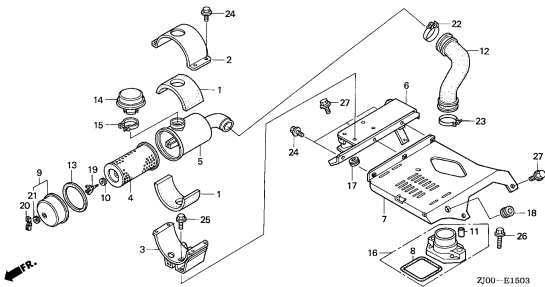
G13



E-15-3

AIR CLEANER(4)

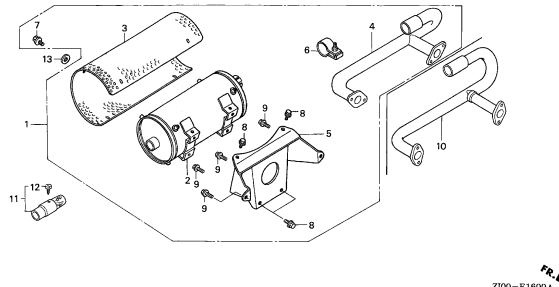
G16



E-16

MUFFLER(1)

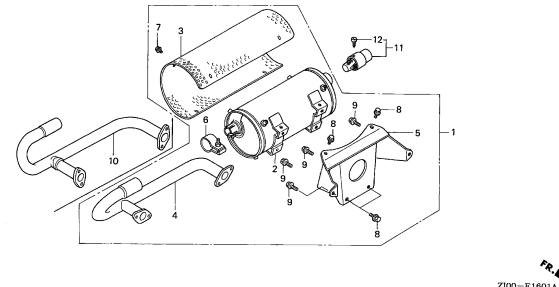
H 2



E-16-1

MUFFLER(2)

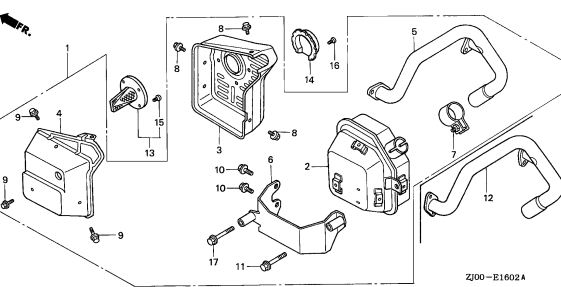
H 4



E-16-2

MUFFLER(3)

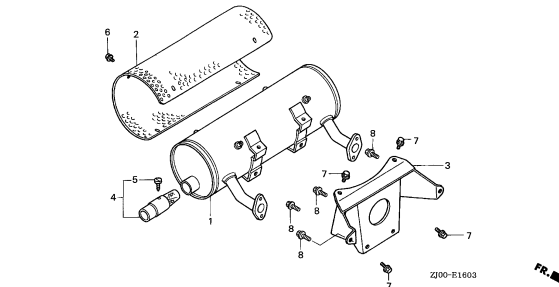
H 6



E-16-3

MUFFLER(4)

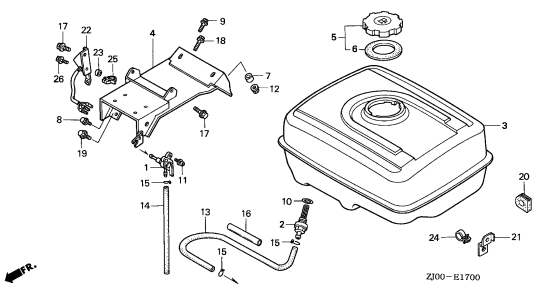
H 8



E-17

FUEL TANK

H 9



2

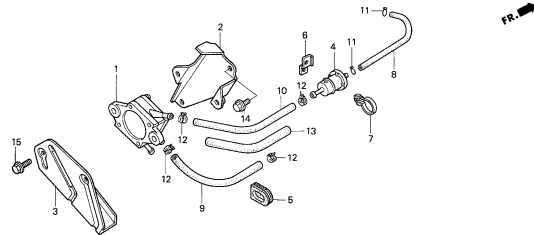
# ENGINE GROUP

**C 8**

**E-18**

FUEL PUMP(1)

**H12**

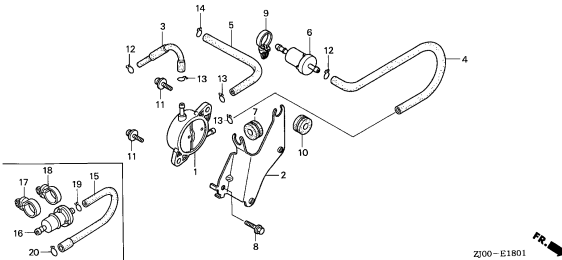


ZJ00-E1800A

**E-18-1**

FUEL PUMP(2)

**H14**

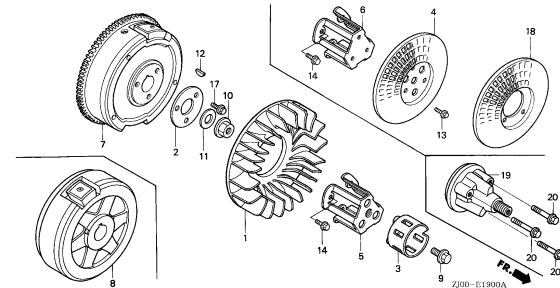


ZJ00-E1801

**E-19**

FLYWHEEL

**I 2**

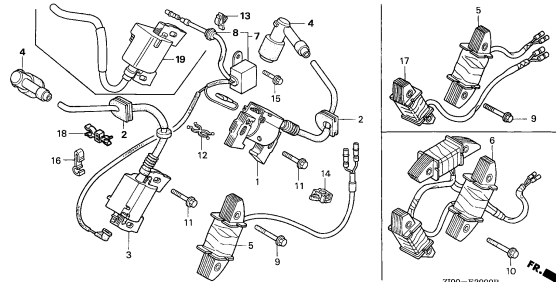


ZJ00-E1900A

**E-20**

IGNITION COIL

**I 5**

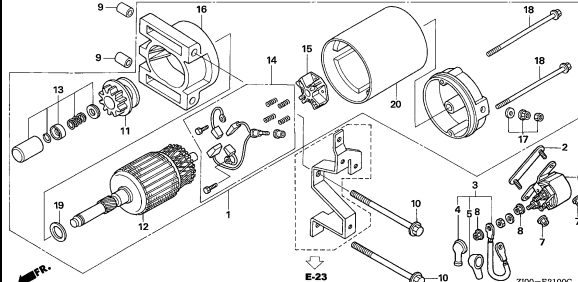


ZJ00-E2000B

**E-21**

STARTER MOTOR(1)

**I10**

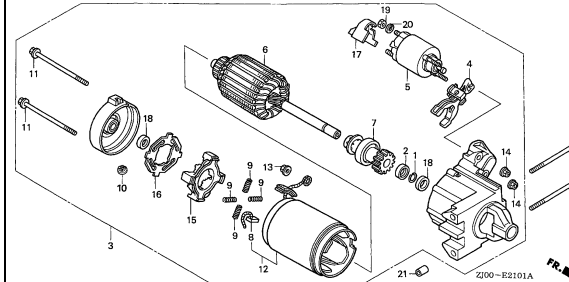


ZJ00-E2100C

**E-21-1**

STARTER MOTOR(2)

**I12**

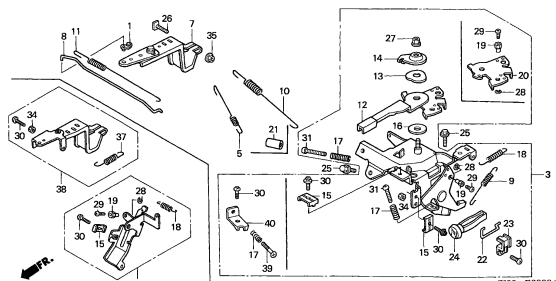


ZJ00-E2101A

**E-22**

CONTROL(1)

**I16**

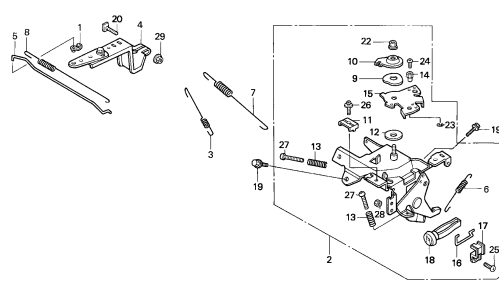


ZJ00-E2200A

**E-22-1**

CONTROL(2)

**J 4**

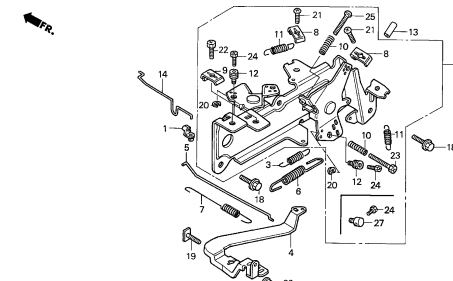


ZJ00-E2201

**E-22-2**

CONTROL(3)

**J 6**



ZJ00-E2202B

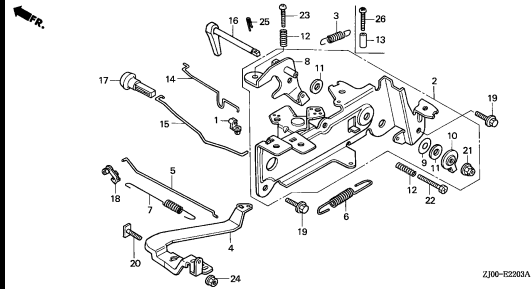
# ENGINE GROUP

**C 9**

**E-22-3**

CONTROL(4)

**J 8**

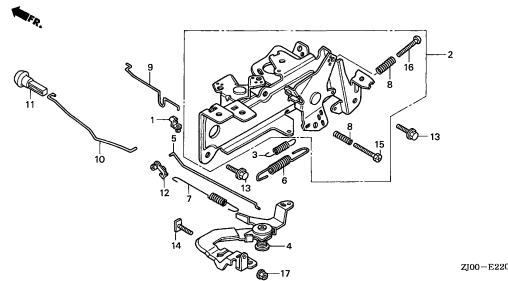


ZJ00-E2203A

**E-22-4**

CONTROL(5)

**J12**

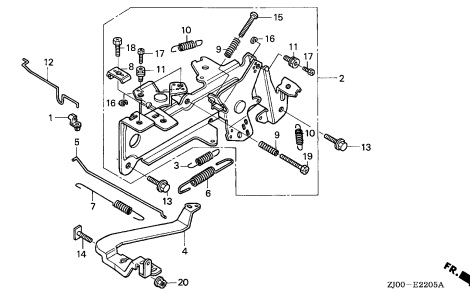


ZJ00-E2204

**E-22-5**

CONTROL(6)

**J13**

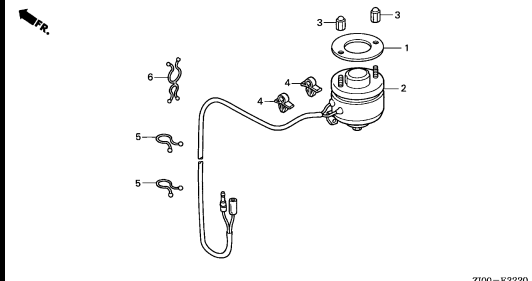


ZJ00-E2205A

**E-22-20**

AUTO THROTTLE

**J14**

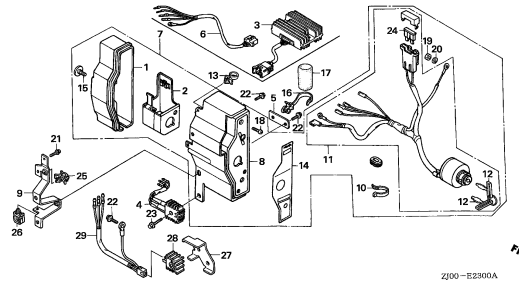


ZJ00-E2220

**E-23**

CONTROL BOX

**J15**

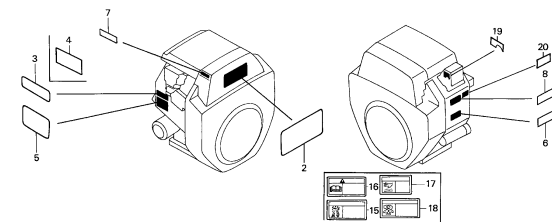


ZJ00-E2300A

**E-28**

LABEL(1)

**K 5**

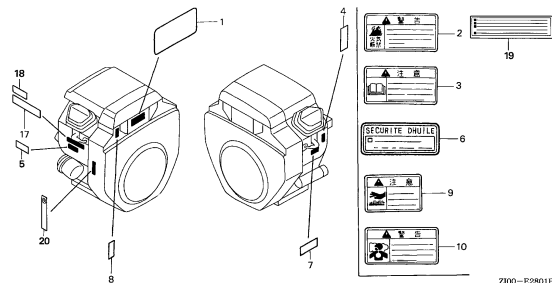


ZJ00-E2800

**E-28-1**

LABEL(2)

**K 7**

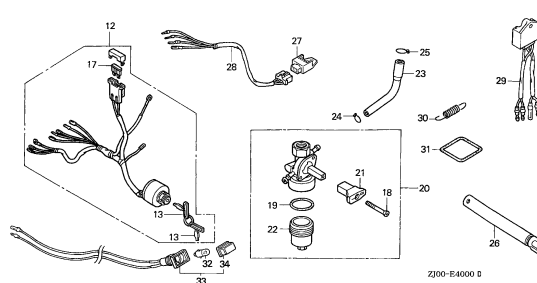


ZJ00-E2801B

**E-40**

OTHER PARTS(1)

**K10**

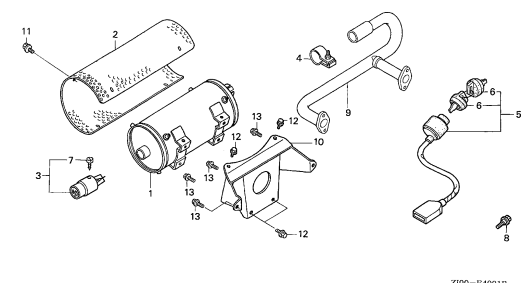


ZJ00-E4000 0

**E-40-1**

OTHER PARTS(2)

**K12**



ZJ00-E4001B

**2**

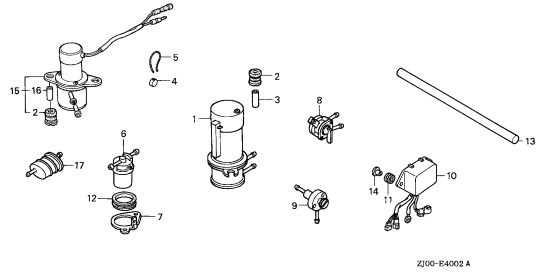
# ENGINE GROUP

**C10**

**E-40-2**

OTHER PARTS(3)

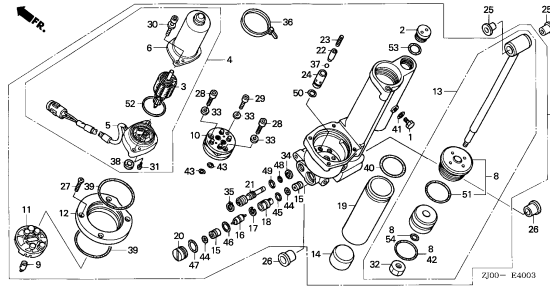
**K13**



**E-40-3**

OTHER PARTS(4)

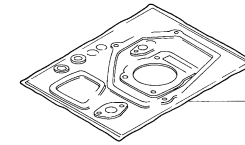
**K14**



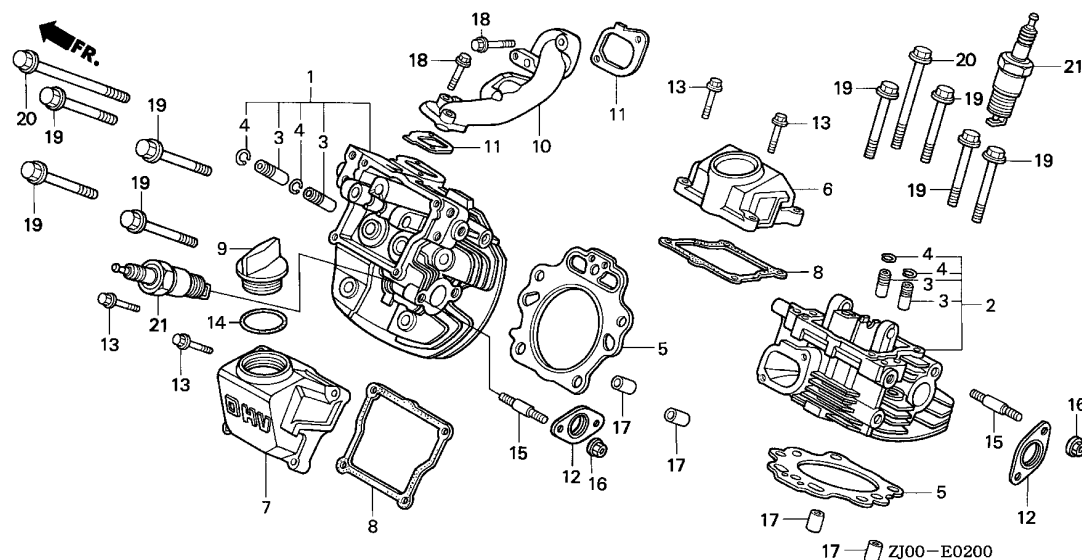
**EOP-1**

GASKET KIT

**K16**



**2**



Ref. No.	L.O.N.	(Relative ref. Number) Description	F.R.T.
1	1111F2	HEAD, CYLINDER :LEFT BANK .... .INCLUDES: Valve clearance adjustment and reface	1.6
	1111L4	HEAD, CYLINDER :BOTH BANKS ... .INCLUDES: Valve clearance adjustment and reface	2.4
2	1111F3	HEAD, CYLINDER :RIGHT BANK ... .INCLUDES: Valve clearance adjustment and reface	1.6
	1111L4	HEAD, CYLINDER :BOTH BANKS ... .INCLUDES: Valve clearance adjustment and reface	2.4
5	1111M4	GASKET, CYLINDER HEAD :LEFT ..	1.2
	1111M5	GASKET, CYLINDER HEAD :RIGHT ..	1.2
	1111M6	GASKET, CYLINDER HEAD :BOTH ..	1.6
6	1111D4	COVER, CYLINDER HEAD AND/OR PACKING, HEAD COVER :RIGHT ..	0.2
	1111L5	COVER, CYLINDER HEAD AND/OR PACKING, HEAD COVER :BOTH ...	0.3
7	1111D3	COVER, CYLINDER HEAD AND/OR PACKING, HEAD COVER :LEFT ...	0.2
	1111L5	COVER, CYLINDER HEAD AND/OR PACKING, HEAD COVER :BOTH ...	0.3

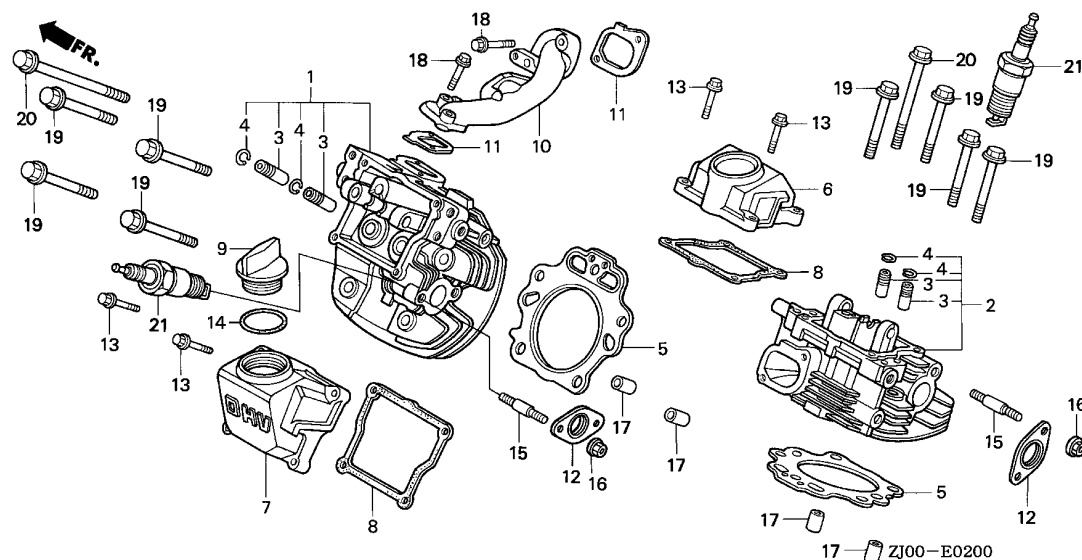
Ref. No.	Part No.	Description	Reqd. QTY				Serial No.	Parts catalogue code
			GX 610	GX 610	GX 610 K1	GX 610		
1	12210-ZJ1-000	HEAD COMP., R. CYLINDER .....	1	1	-	-		
	12210-ZJ1-800	HEAD COMP., CYLINDER (#1) ...	-	-	-	1		
2	12220-ZJ1-U80	HEAD COMP., CYLINDER (#2) ...	1	-	-	-		
	12220-ZJ1-000	HEAD COMP., L. CYLINDER .....	1	-	-	-	VD,VXA3,VXD PZE,QAC6,QAF,QAF2,QDA1,QDE,QDE1,QDE6,QDF,QDF2,QDF6,QDW,QXE4 QXF6,QYF,QZA,QZA1,QZA6,QZB,QZD,QZD1,QZE,QZE4,QZE6,QZF,QZF1 QZF6,QZX4,TFX2,VXE,VXE1,VXE3,VXE4,VZA,VZA1,VZA4	
	12220-ZJ1-800	HEAD COMP., CYLINDER (#2) ...	-	1	-	-		
3	12205-ZE2-305	GUIDE, EX. VALVE (O.S.) .....	(4)	(4)	-	(4)		
4	12216-ZE2-300	CLIP, VALVE GUIDE .....	4	4	-	4		
5	12251-ZJ1-003	GASKET, CYLINDER HEAD .....	2	2	-	2		
6	12311-ZJ1-000	COVER, HEAD .....	1	1	-	1		
7	12314-ZJ1-000	COVER, HEAD FILLER .....	1	1	-	1		
8	12391-ZJ1-000	PACKING, HEAD COVER .....	2	2	-	2		
9	15611-921-000	CAP, OIL (YELLOW) .....	1	1	-	1		
10	17101-ZJ1-000	MANIFOLD, INTAKE .....	1	1	-	1		
11	17151-ZJ1-003	GASKET, INTAKE MANIFOLD .....	2	2	-	2		
12	18333-ZJ1-000	GASKET, EX. PIPE .....	2	2	-	2		
13	90121-ZJ1-000	BOLT, FLANGE, 6X25(CT200) ...	8	8	-	8		
14	91301-805-000	O-RING, 26X2.7 .....	1	1	-	1		
15	92900-08025-0B	BOLT, STUD, 8X25 .....	4	4	-	4		
16	94050-08000	NUT, FLANGE, 8MM .....	4	4	-	4		
17	94301-12200	DOWEL PIN, 12X20 .....	4	4	-	4		
18	95701-06032-00	BOLT, FLANGE, 6X32 .....	4	4	-	4		
19	95701-10075-00	BOLT, FLANGE, 10X75 .....	8	8	-	8		



E-2

CYLINDER HEAD(1)

D 2



Ref. No.	L.O.N.	(Relative ref. Number) Description	F.R.T.
10	3111C4	MANIFOLD, INTAKE .....	0.4
11	3111M6	PACKING, INTAKE MANIFOLD :LEFT	0.4
		.NOTE: Same time for two units	
	3111M7	PACKING, INTAKE MANIFOLD :RIGHT .....	0.4
		.NOTE: Same time for two units	
12	3131J1	GASKET, EXHAUST PIPE :LEFT ...	0.4
	3131J2	GASKET, EXHAUST PIPE :RIGHT ..	0.4
21	6141E6	PLUG, SPARK :LEFT BANK .....	0.1
		.INCLUDES: Spark plug check	
	6141E7	PLUG, SPARK :RIGHT BANK .....	0.1
		.INCLUDES: Spark plug check	
	6141E8	PLUG, SPARK :BOTH BANKS .....	0.2
		.INCLUDES: All spark plug check	

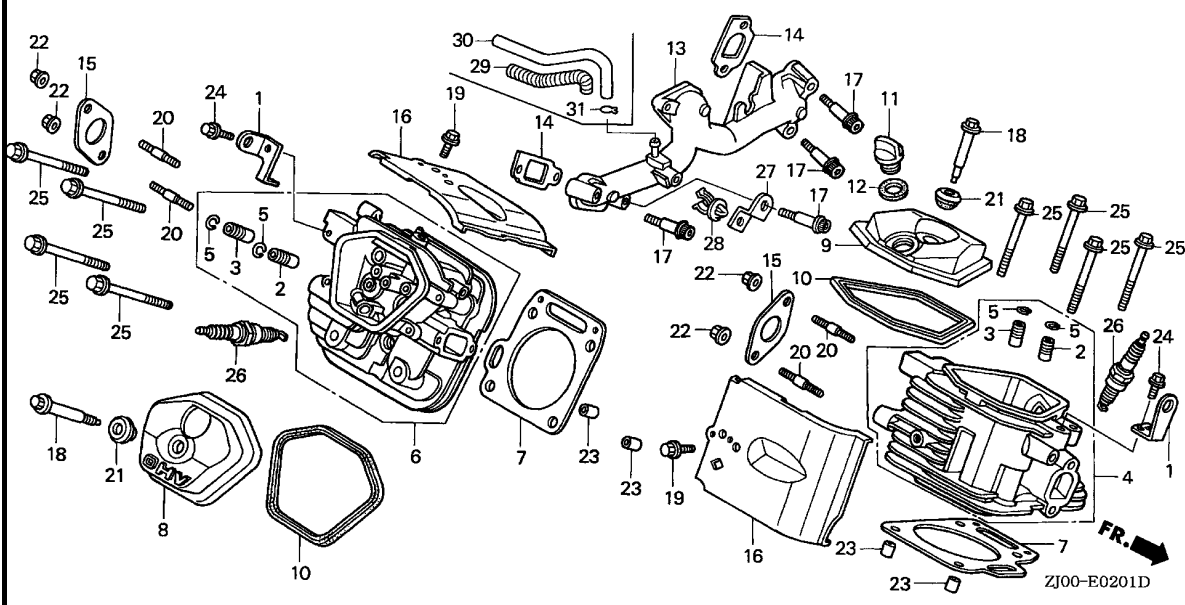
2

Ref. No.	Part No.	Description	Reqd. QTY				Serial No.	Parts catalogue code
			GX 610	GX 610	GX 610 K1	GX 610		
20	95701-10130-00	BOLT, FLANGE, 10X130 .....	2	2	-	2		
21	98079-52876	PLUG, SPARK (BPR2ES) (NGK) ...	(2)	-	-	-	PZE,QAF,QAF2,QDE,QDE1,QDF,QDF2,QDW,QXE4,QXF6,QYF,QZA,QZA1,QZA6 QZB,QZD,QZD1,QZE,QZE4,QZE6,QZF,QZF1,QZX4,TXF2,VD,VXD,VXE,VXE1 VXE3,VXE4,VZA,VZA1,VZA4	
	98079-54846	PLUG, SPARK (BPR4ES) (NGK) ...	(2)	-	-	-	PZE,QAF,QAF2,QDE,QDE1,QDF,QDF2,QDW,QXE4,QXF6,QYF,QZA,QZA1,QZA6 QZB,QZD,QZD1,QZE,QZE4,QZE6,QZF,QZF1,QZX4,TXF2,VD,VXD,VXE,VXE1 VXE3,VXE4,VZA,VZA1,VZA4	
	98079-54855	PLUG, SPARK (W14EPR-U) (DENSO)	(2)	-	-	-	PZE,QAF,QAF2,QDE,QDE1,QDF,QDF2,QDW,QXE4,QXF6,QYF,QZA,QZA1,QZA6 QZB,QZD,QZD1,QZE,QZE4,QZE6,QZF,QZF1,QZX4,TXF2,VD,VXD,VXE,VXE1 VXE3,VXE4,VZA,VZA1,VZA4	
	98079-56846	PLUG, SPARK (BPR6ES) (NGK) ...	2	2	-	2		

E-2-1

CYLINDER HEAD(2)

D 3



Ref. No.	L.O.N.	(Relative ref. Number) Description	F.R.T.
4	1111F2	HEAD, CYLINDER :LEFT BANK .... .INCLUDES: Valve clearance adjustment and reface	1.6
	1111L4	HEAD, CYLINDER :BOTH BANKS ... .INCLUDES: Valve clearance adjustment and reface	2.4
6	1111F3	HEAD, CYLINDER :RIGHT BANK ... .INCLUDES: Valve clearance adjustment and reface	1.6
	1111L4	HEAD, CYLINDER :BOTH BANKS ... .INCLUDES: Valve clearance adjustment and reface	2.4
7	1111M4	GASKET, CYLINDER HEAD :LEFT ..	1.2
	1111M5	GASKET, CYLINDER HEAD :RIGHT ..	1.2
	1111M6	GASKET, CYLINDER HEAD :BOTH ..	2.0
8	1111D4	COVER, CYLINDER HEAD AND/OR PACKING, HEAD COVER :RIGHT ..	0.2
	1111L5	COVER, CYLINDER HEAD AND/OR PACKING, HEAD COVER :BOTH ...	0.3
9	1111D3	COVER, CYLINDER HEAD AND/OR PACKING, HEAD COVER :LEFT ...	0.2
	1111L5	COVER, CYLINDER HEAD AND/OR PACKING, HEAD COVER :BOTH ...	0.3

Ref. No.	Part No.	Description	Reqd. QTY				Serial No.	Parts catalogue code
			GX 610	GX 610	GX 610 K1	GX 610 (3)		
1	11911-ZJ1-840	HANGER, ENGINE .....	-	-	1	-	QAF2/A, TXF2/A PZE, PZE/A, QAD2, QAD2/A, QAF, QAF/A, QAF2, QDE, QDE/A, QDF, QDF/A, QDF2, QDF2/A, QDF6, QDF6/A, QDW, QDW/A, QDX2, QDX2/A, QWF, QWF/A, QYF, QYF/A QZA, QZA/A, QZA6, QZA6/A, QZB, QZB/A, QZB2, QZB2/A, QZE, QZE/A, QZE3, QZE3/A, QZE4, QZE4/A, QZE6, QZE6/A, QZF, QZF/A, QZF1, QZF1/A, QZF8, QZF8/A, QZX5, QZX5/A, SWD, SWD/A, TXF2, VD, VD/A, VDF2, VDF2/A, VEP4, VEP4/A, VXD, VXD/A, VXE, VXE/A, VXE1, VXE1/A, VXE3, VXE3/A, VXE4, VXE4/A, VZA, VZA/A, VZA1, VZA1/A, VZA2, VZA2/A, VZE1, VZE1/A	
2	12204-ZE2-306	GUIDE, IN. VALVE (O.S.) .....	-	-	(2)	-		
3	12205-ZJ1-405	GUIDE, EX. VALVE (O.S.) .....	-	-	(2)	-		
4	12210-ZJ1-406	HEAD COMP., CYLINDER (#1) ...	-	-	1	-		
5	12216-ZE2-300	CLIP, VALVE GUIDE .....	-	-	4	-		
6	12220-ZJ1-405	HEAD COMP., CYLINDER (#2) ...	-	-	1	-		
7	12251-ZJ1-841	GASKET, CYLINDER HEAD .....	-	-	2	-		
8	12311-ZJ1-840	COVER, HEAD .....	-	-	1	-		
9	12314-ZJ1-840	COVER, HEAD FILLER .....	-	-	1	-		
10	12391-ZE2-020	PACKING, HEAD COVER .....	-	-	2	-		
11	15611-MB0-000	CAP, OIL FILLER .....	-	-	1	-		
12	15625-ZJ1-840	PACKING, OIL FILLER CAP .....	-	-	1	-		
13	17101-ZJ1-840	MANIFOLD, INTAKE .....	-	-	1	-	PZE, PZE/A, QAF, QAF/A, QAF2, QAF2/A, QDE, QDE/A, QDF, QDF/A, QDF2, QDF2/A, QDF6, QDF6/A, QDW, QDW/A, QDX2, QDX2/A, QWF, QWF/A, QYF, QYF/A QZA, QZA/A, QZA6, QZA6/A, QZB, QZB/A, QZB2, QZB2/A, QZE, QZE/A, QZE3, QZE3/A, QZE4, QZE4/A, QZE6, QZE6/A, QZF, QZF/A, QZF1, QZF1/A, QZF8, QZF8/A, QZX5, QZX5/A, SWD, SWD/A, TXF2, TXF2/A, VD, VD/A, VDF2, VDF2/A, VEP4, VEP4/A, VXD, VXD/A, VXE, VXE/A, VXE1, VXE1/A, VXE3, VXE3/A, VXE4, VXE4/A, VZA, VZA/A, VZA1, VZA1/A, VZA2, VZA2/A, VZE1, VZE1/A	

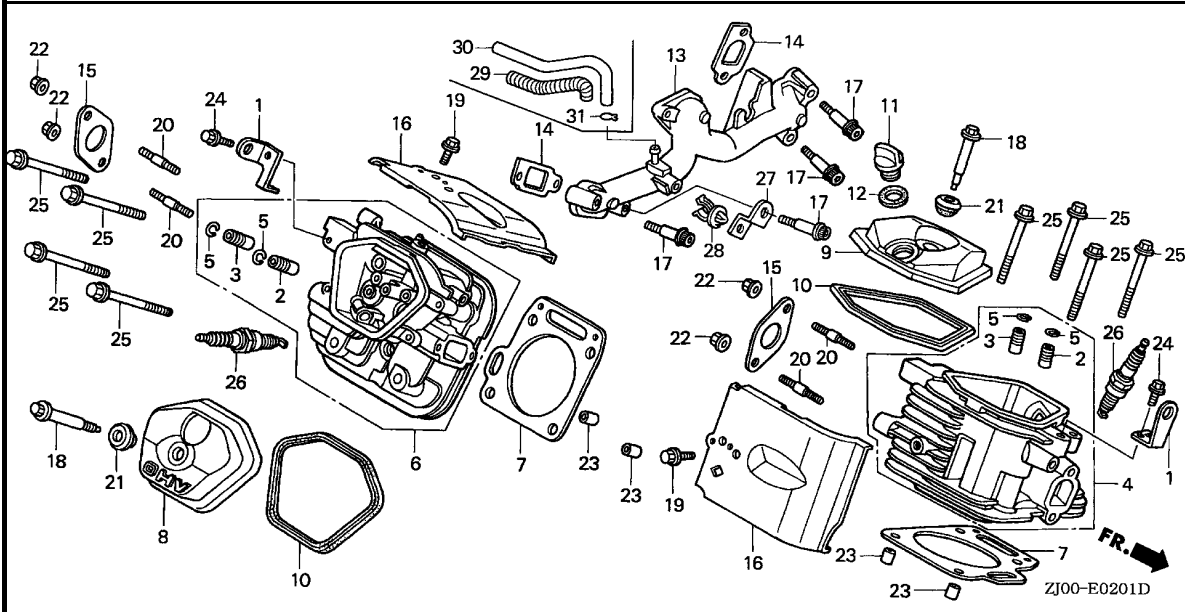
2



E-2-1

CYLINDER HEAD(2)

D 4



Ref. No.	L.O.N.	(Relative ref. Number) Description	F.R.T.
13	3111C4	MANIFOLD, INTAKE .....	0.6
14	3111M6	PACKING, INTAKE MANIFOLD :LEFT .NOTE: Same time for two units	0.6
	3111M7	PACKING, INTAKE MANIFOLD :RIGHT .NOTE: Same time for two units	0.6
15	3131J1	GASKET, EXHAUST PIPE :LEFT ...	0.4
	3131J2	GASKET, EXHAUST PIPE :RIGHT ..	0.4
16	4141J8	SHROUD, CYLINDER HEAD :LEFT ..	0.4
	4141J9	SHROUD, CYLINDER HEAD :RIGHT ..	0.4
26	6141E6	PLUG, SPARK :LEFT BANK .....	0.1
	6141E7	PLUG, SPARK :RIGHT BANK .....	0.1
	6141E8	PLUG, SPARK :BOTH BANKS .....	0.2

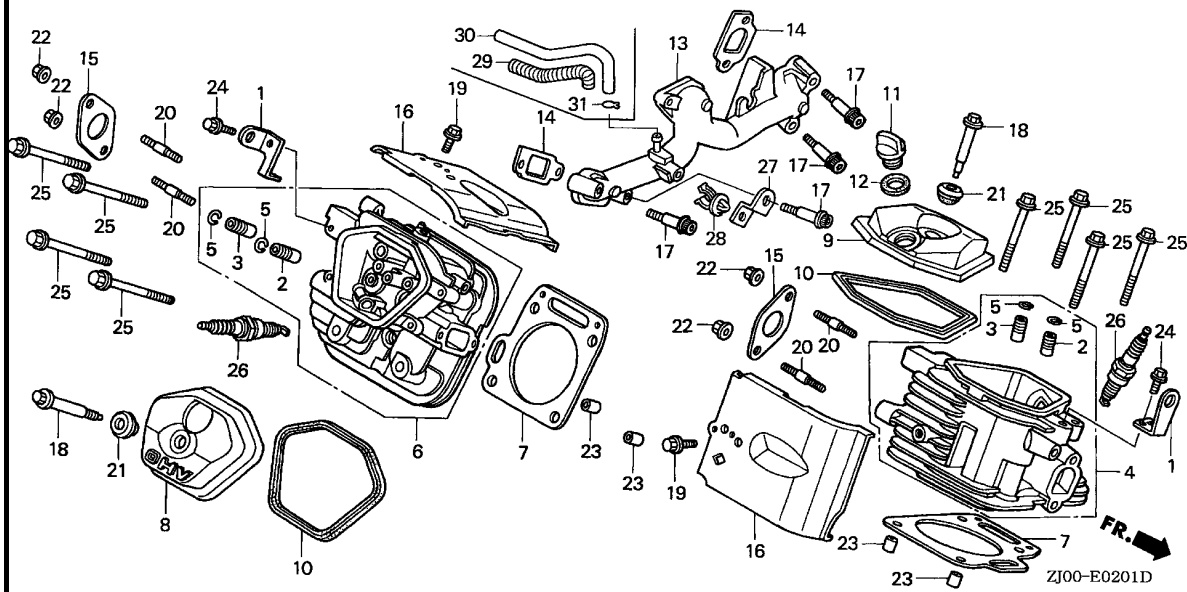
Ref. No.	Part No.	Description	Reqd. QTY				Serial No.	Parts catalogue code
			GX 610	GX 610	GX 610	GX 610		
13)	17110-ZJ0-T30	MANIFOLD COMP., INTAKE .....	-	-	1	-	QAD2,QAD2/A	
14	17151-ZJ1-841	GASKET, INTAKE MANIFOLD .....	-	-	2	-		
15	18333-ZE3-800	GASKET, EX. PIPE .....	-	-	2	-	PZE,PZE/A,QAD2,QAD2/A,QAF,QAF/A,QAF2,QAF2/A,QDE,QDE/A,QDF,QDF/A,QDF2,QDF2/A,QDF6,QDF6/A,QDW,QDW/A,QDX2,QDX2/A,QWF,QWF/A,QYF,QYF/A,QZA,QZA/A,QZA6,QZA6/A,QZB,QZB/A,QZB2,QZB2/A,QZE,QZE/A,QZE3,QZE3/A,QZE4,QZE4/A,QZE6,QZE6/A,QZF,QZF/A,QZF1,QZF1/A,QZF8,QZF8/A,QZX5,QZX5/A,TFX2,TFX2/A,VD,VD/A,VDF2,VDF2/A,VEP4,VEP4/A,VXD,VXD/A,VXE,VXE/A,VXE1,VXE1/A,VXE3,VXE3/A,VXE4,VXE4/A,VZA,VZA/A,VZA1,VZA1/A,VZA2,VZA2/A,VZE1,VZE1/A,SWD,SWD/A	
	18333-ZJ1-000	.....	-	-	2	-		
16	19682-ZJ1-840	SHROUD, HEAD .....	-	-	2	-		
17	90011-ZJ1-841	BOLT, SOCKET, 8X45 .....	-	-	4	-		
18	90014-ZE2-000	BOLT, HEAD COVER .....	-	-	2	-		
19	90014-952-000	BOLT, FLANGE, 6X14(CT200) .....	-	-	2	-		
20	90018-ZJ1-840	BOLT, STUD, 8X22 .....	-	-	4	-		
21	90441-ZE2-010	WASHER COMP., HEAD COVER ....	-	-	2	-		
22	94050-08000	NUT, FLANGE, 8MM .....	-	-	4	-		
23	94301-12200	DOWEL PIN, 12X20 .....	-	-	4	-		
24	95701-08020-00	BOLT, FLANGE, 8X20 .....	-	-	2	-		
25	95701-10080-00	BOLT, FLANGE, 10X80 .....	-	-	8	-		
26	98079-52876	PLUG, SPARK (BPR2ES)(NGK) ...	-	-	(2)	-		
	98079-5485V	PLUG, SPARK (J14CR-U)(DENSO)	-	-	(2)	-		
	98079-5487V	PLUG, SPARK (ZGR4A) .....	-	-	(2)	-		
	98079-5585V	PLUG, SPARK (J16CR-U)(DENSO)	-	-	2	-		
	98079-5587V	PLUG, SPARK (ZGR5A) .....	-	-	2	-		

2

# E-2-1

# CYLINDER HEAD(2)

D 5



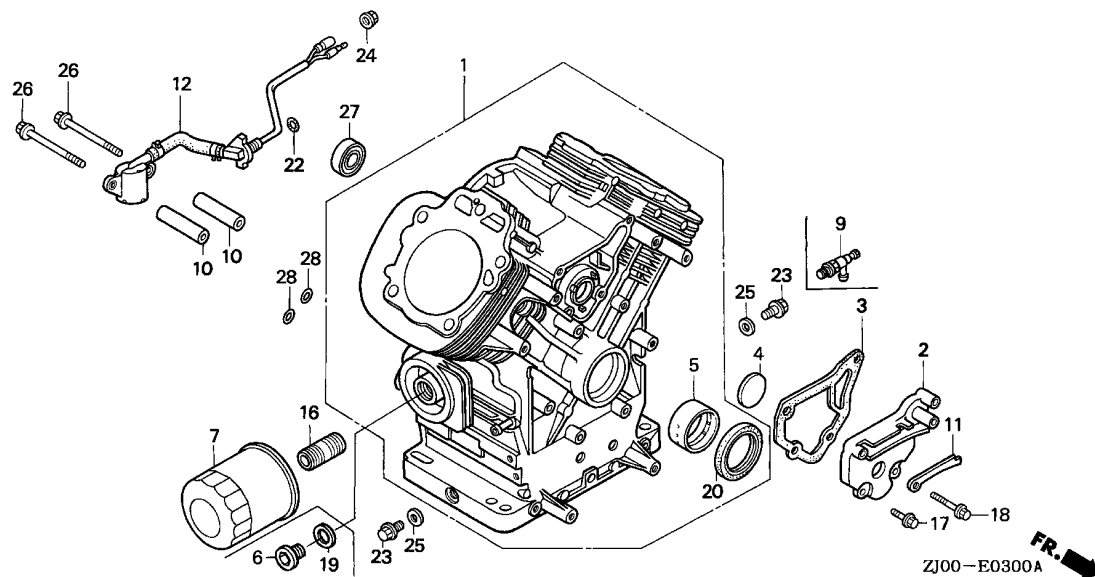
Ref. No.	Part No.	Description	Reqd. QTY				Serial No.	Parts catalogue code
			GX 610	GX 610	GX 610 K1	GX 610 (3)		
27	32112-735-A10	BRACKET, HARNESS CLIP (A) ...	-	-	1	-	----- SWD,SWD/A	
28	90601-ZJ1-851	CLIP, TUBE .....	-	-	1	-	----- SWD,SWD/A	
29	17735-ZJ0-T30	TUBE, CORRUGATE .....	-	-	1	-	----- QAD2,QAD2/A	
30	95001-55220-40	TUBE, FUEL, 5.3X220 (95001-55001-60M)	-	-	1	-	----- QAD2,QAD2/A	
31	95002-02100	CLIP, TUBE (B10) .....	-	-	1	-	----- 2046869 QAD2	
	95002-41050-08	CLAMP, TUBE (D10.5) .....	-	-	1	-	----- QAD2/A	
			-	-	1	-	----- 2046870 QAD2	

2

E-3

CYLINDER BARREL(1)

D 6



Ref. No.	L.O.N.	(Relative ref. Number) Description	F.R.T.
1	1101A0	BARREL, CYLINDER .....	4.0
2		(3)	
	1111D1	COVER, BREATHER AND/OR PACKING, BREATHER COVER .....	0.9
4	1111K9	VALVE, BREATHER .....	0.9
5	1101A4	BEARING, CRANKSHAFT :FRONT ...	3.6
7	110175	CARTRIDGE, OIL FILTER .....	0.2
9	1171A9	VALVE, OIL SHUT-OFF .....	0.1
12		(22)	
	6151E8	SWITCH, OIL LEVEL .....	1.2
20	1101E4	OIL SEAL, CRANKSHAFT :FRONT ..	3.5
27	1111A9	BEARING, CAMSHAFT .....	2.0

Ref. No.	Part No.	Description	Reqd. QTY				Serial No.	Parts catalogue code
			GX 610	GX 610	GX 610 K1	GX 610		
1	12000-ZJ1-000	BARREL ASSY., CYLINDER .....	1	-	-	(3)	----- QAC6,QAF,QDA1,QDE,QDE1,QDE6,QDF,QDF2,QDF6,QDW,QYF,QZB,QZF,QZF1,QZF6	
	12000-ZJ1-810	.....	-	(1)	-	-	----- PZE,QXF6,QZA,QZA1,QZA6,QZD,QZE,QZE4,QZE6,QZX4,TFX2,VD,VXA3,VXD,VXE,VXE1,VXE3,VXE4,VZA,VZA1,VZA4	
			1	-	-	-	----- 1017229 QXE4	
			-	(1)	-	-		
	12000-ZJ1-820	BARREL ASSY., CYLINDER (W/O-PUMP)	1	-	-	1	----- QAFP,QAFU,QAF2	
	12000-ZJ1-830	BARREL ASSY., CYLINDER (OIL ALERT W/O-PUMP)	1	-	-	1	----- QZD1,VXEP	
			1	-	-	-	----- 1017230 QXE4	
2	12356-ZJ1-000	COVER, BREATHER .....	1	1	-	1		
3	12358-ZJ1-000	PACKING, BREATHER COVER .....	1	1	-	1		
4	12372-ZE2-300	VALVE, BREATHER .....	1	1	-	1		
5	13321-ZJ1-000	BEARING A, MAIN (BLUE) .....	1	1	-	1		
	13322-ZJ1-000	BEARING B, MAIN (BLACK) .....	1	1	-	1		
	13323-ZJ1-000	BEARING C, MAIN (BROWN) .....	1	1	-	1		
6	15233-PK1-000	BOLT, SEALING, 20MM .....	1	-	-	-	----- QDA1,QZA,QZA1,QZA6,QZB,QZD,VXA3,VZA,VZA1,VZA4	
			-	(1)	-	-		
7	15400-ZJ1-004	CARTRIDGE, OIL FILTER (TOYO ROKI)	1	-	-	-	----- PZE,QAC6,QAF,QAF2,QDE,QDE1,QDE6,QDF,QDF2,QDF6,QDW,QXE4,QXF6,QYF,QZD1,QZE,QZE4,QZE6,QZF,QZF1,QZF6,QZX4,TFX2,VD,VXD,VXE,VXE1,VXE3,VXE4	
9	15558-ZJ1-003	VALVE, OIL SHUT-OFF .....	(1)	(1)	-	(1)		

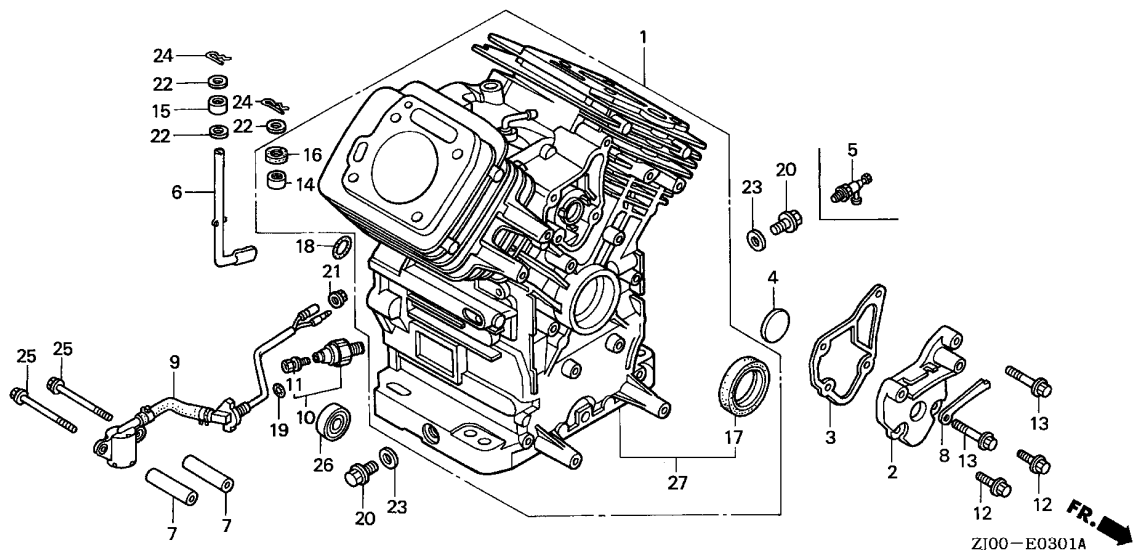
E-3

CYLINDER BARREL(1)

D 7

Ref. No.	Part No.	Description	Reqd. QTY				Serial No.	Parts catalogue code
			GX 610	GX 610	GX 610 K1	GX 610		
			(1)	(2)	(3)			
10	25523-VD6-010	COLLAR, FILTER SETTING .....	2	-	-	2	-----	PZE,QXE4,QXF6,QZA,QZA1,QZA6,QZD,QZD1,QZE,QZE4,QZE6,QZX4,TXF2 VD,VXA3,VXD,VXE,VXEP,VXE1,VXE3,VXE4,VZA,VZA1,VZA4
			-	(2)	-	-		
11	31511-ZJ1-000	CLAMPER, CORD .....	1	1	-	1		
12	35480-ZJ1-812	SWITCH ASSY., OIL LEVEL .....	1	-	-	1	-----	PZE,QXE4,QXF6,QZA,QZA1,QZA6,QZD,QZD1,QZE,QZE4,QZE6,QZX4,TXF2 VD,VXA3,VXD,VXE,VXEP,VXE1,VXE3,VXE4,VZA,VZA1,VZA4
			-	(1)	-	-		
16	90018-PN3-000	HOLDER, OIL FILTER .....	1	-	-	-	-----	PZE,QAC6,QAF,QAF2,QDE,QDE1,QDE6,QDF,QDF2,QDF6,QDW,QXE4,QXF6 QYF,QZD1,QZE,QZE4,QZE6,QZF,QZF1,QZF6,QZX4,TXF2,VD,VXD,VXE,VXE1 VXE3,VXE4
			-	-	-	1		
17	90029-888-000	BOLT, FLANGE, 6X16(CT200) ...	2	2	-	2		
18	90031-ZE1-000	BOLT, FLANGE, 6X32 .....	2	2	-	2		
19	90442-ME5-000	WASHER, SEALING, 20MM .....	1	-	-	-	-----	QDA1,QZA,QZA1,QZA6,QZB,QZD,VXA3,VZA,VZA1,VZA4
			-	(1)	-	-		
20	91201-ZJ1-003	OIL SEAL, 38X58X11 .....	1	1	-	1		
22	91353-671-004	O-RING, 14MM(NOK) .....	1	-	-	1	-----	PZE,QXE4,QXF6,QZA,QZA1,QZA6,QZD,QZD1,QZE,QZE4,QZE6,QZX4,TXF2 VD,VXA3,VXD,VXE,VXEP,VXE1,VXE3,VXE4,VZA,VZA1,VZA4
			-	(1)	-	-		
23	92800-14000	BOLT, DRAIN PLUG, 14MM .....	2	2	-	2		
24	94050-10000	NUT, FLANGE, 10MM .....	1	-	-	1	-----	PZE,QXE4,QXF6,QZA,QZA1,QZA6,QZD,QZD1,QZE,QZE4,QZE6,QZX4,TXF2 VD,VXA3,VXD,VXE,VXEP,VXE1,VXE3,VXE4,VZA,VZA1,VZA4
			-	(1)	-	-		
25	94109-14000	WASHER, DRAIN PLUG, 14MM ....	2	2	-	2		
26	95701-06075-09	BOLT, FLANGE, 6X75 .....	2	-	-	2	-----	PZE,QXE4,QXF6,QZA,QZA1,QZA6,QZD,QZD1,QZE,QZE4,QZE6,QZX4,TXF2 VD,VXA3,VXD,VXE,VXEP,VXE1,VXE3,VXE4,VZA,VZA1,VZA4
			-	(2)	-	-		
27	96140-60030-10	BEARING, RADIAL BALL, 6003 ..	1	1	-	1		
28	91302-MB6-830	O-RING, 13X3.0 .....	2	-	-	-	-----	QAC6,QAF,QDA1,QDE,QDE1,QDE6,QDF,QDF6,QXE4,QXF6,QYF,QZA,QZA1 QZA6,QZB,QZE,QZE4,QZE6,QZF,QZF1,QZF6,QZX4,VXE,VXE1,VXE3,VXE4 VZA,VZA1,VZA4
			-	2	-	2		

2

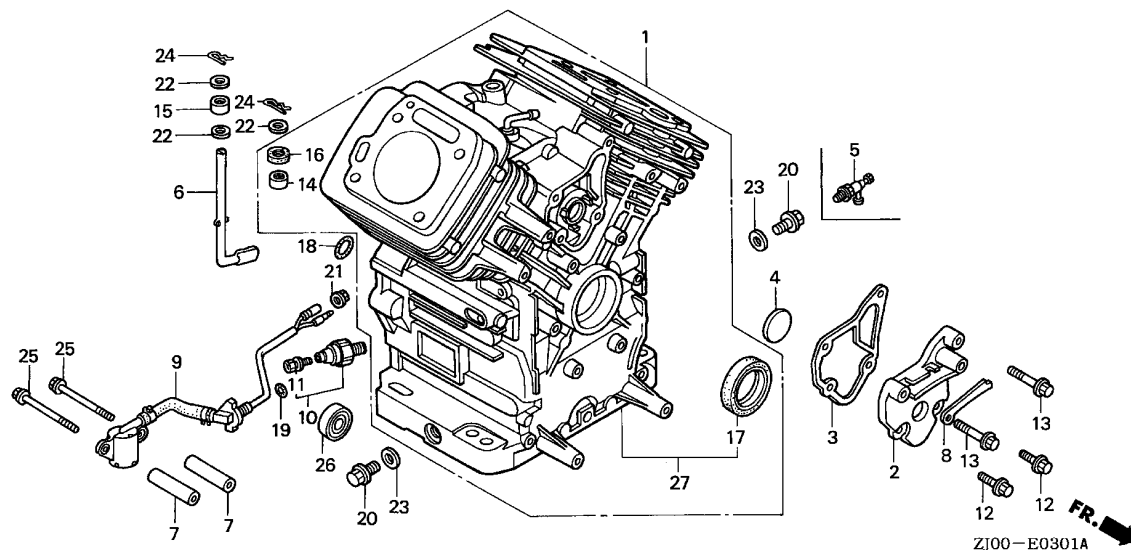


Ref. No.	L.O.N.	(Relative ref. Number) Description	F.R.T.
1	1101A0	BARREL, CYLINDER .....	4.0
2		(3)	
	1111D1	COVER, BREATHER AND/OR PACKING, BREATHER COVER .....	0.9
4	1111K9	VALVE, BREATHER .....	0.9
5	1171A9	VALVE, OIL SHUT-OFF .....	0.1
6	1161B4	SHAFT, GOVERNOR ARM .....	1.3
9		(19)	
	6151E8	SWITCH, OIL LEVEL .....	1.2
10	6151E4	SWITCH, OIL PRESSURE .....	0.2
16	1101C4	OIL SEAL, GOVERNOR ARM SHAFT ..	1.3
17	1101E4	OIL SEAL, CRANKSHAFT :FRONT ..	3.5
26	1111A9	BEARING, CAMSHAFT .....	2.0

Ref. No.	Part No.	Description	Reqd. QTY				Serial No.	Parts catalogue code
			GX 610	GX 610	GX 610	GX 610		
1	12000-ZJ1-840	BARREL ASSY., CYLINDER .....	-	-	1	-	2012042 QAF,QAF2,QDE,QDF,QDF2,QDF6,QDW,QYF,QZF	
	12000-ZJ1-850	BARREL ASSY., CYLINDER (OIL ALERT)	-	-	1	-	2011641 PZE,QZA,QZA6,QZB,QZB2,QZE,QZE3,QZE4,QZE6,QZF1,TFX2,VXE,VXE1,VXE3,VXE4,VZA,VZA1,VZE1	
	12000-ZJ1-405	BARREL ASSY., CYLINDER .....	-	-	1	-	----- QAD2/A,QAF/A,QAF2/A,QDE/A,QDF/A,QDF2/A,QDF6/A,QDW/A,QWF,QWF/A,QYF/A,QZF/A	
	12000-ZJ1-406	.....	-	-	1	2012043	----- QAD2,QAF,QAF2,QDE,QDF,QDF2,QDF6,QDW,QYF,QZF PZE/A,QZA/A,QZA6/A,QZB/A,QZB2/A,QZE/A,QZE3/A,QZE4/A,QZE6/A,QZF1/A,QZF8,QZF8/A,QZX5,QZX5/A,TFX2/A,VD,VD/A,VEP4,VEP4/A,VXD,VXD/A,VXE/A,VXE1/A,VXE3/A,VXE4/A,VZA/A,VZA1/A,VZA2/VZA2/A,VZE1/A	
	12000-ZJ1-408	.....	-	-	1	2011642	----- PZE,QZA,QZA6,QZB,QZB2,QZE,QZE3,QZE4,QZE6,QZF1,TFX2,VXE,VXE1,VXE3,VXE4,VZA,VZA1,VZE1 QDX2,QDX2/A,SWD,SWD/A	
2	12356-ZJ1-000	COVER, BREATHER .....	-	-	1	-	-----	
3	12358-ZJ1-000	PACKING, BREATHER COVER .....	-	-	1	-	-----	
4	12372-ZE2-300	VALVE, BREATHER .....	-	-	1	-	-----	
5	15558-ZJ1-003	VALVE, OIL SHUT-OFF .....	-	-	(1)	-	-----	
6	16541-ZJ1-840	SHAFT, GOVERNOR ARM .....	-	-	1	-	----- PZE,PZE/A,QAD2,QAD2/A,QAF,QAF/A,QAF2,QAF2/A,QDE,QDE/A,QDF,QDF/A,QDF2,QDF2/A,QDF6,QDF6/A,QDW,QDW/A,QDX2,QDX2/A,QWF,QWF/A,QYF,QYF/A,QZA,QZA/A,QZA6,QZA6/A,QZB,QZB/A,QZB2,QZB2/A,QZE,QZE/A,QZE3,QZE3/A,QZE4,QZE4/A,QZE6,QZE6/A,QZF,QZF/A,QZF1,QZF1/A,QZF8,QZF8/A,QZX5,QZX5/A,SWD,SWD/A,TFX2,TFX2/A,VD,VD/A,VEP4,VEP4/A,VXD,VXD/A,VXE,VXE/A,VXE1,VXE1/A,VXE3,VXE3/A,VXE4,VXE4/A,VZA,VZA/A,VZA1,VZA1/A,VZA2,VZA2/A,VZE1,VZE1/A	

Ref. No.	Part No.	Description	Reqd. QTY				Serial No.	Parts catalogue code
			GX 610	GX 610	GX 610 K1	GX 610		
			(1)	(2)	(3)			
7	25523-VD6-010	COLLAR, FILTER SETTING .....	-	-	2	-	PZE,PZE/A,QZA,QZA/A,QZA6,QZA6/A,QZB,QZB/A,QZB2,QZB2/A,QZE QZE/A,QZE3,QZE3/A,QZE4,QZE4/A,QZE6,QZE6/A,QZF1,QZF1/A,QZF8 QZF8/A,QZX5,QZX5/A,TFX2,TFX2/A,VD,VD/A,VEP4,VEP4/A,VXD,VXD/A VXE,VXE/A,VXE1,VXE1/A,VXE3,VXE3/A,VXE4,VXE4/A,VZA,VZA/A,VZA1 VZA1/A,VZA2,VZA2/A,VZE1,VZE1/A	
8	31511-ZJ1-000	CLAMPER, CORD .....	-	-	1	-		
9	35480-ZJ1-841	SWITCH ASSY., OIL LEVEL .....	-	-	1	-	PZE,PZE/A,QZA,QZA/A,QZA6,QZA6/A,QZB,QZB/A,QZB2,QZB2/A,QZE QZE/A,QZE3,QZE3/A,QZE4,QZE4/A,QZE6,QZE6/A,QZF1,QZF1/A,QZF8 QZF8/A,QZX5,QZX5/A,TFX2,TFX2/A,VD,VD/A,VEP4,VEP4/A,VXD,VXD/A VXE,VXE/A,VXE1,VXE1/A,VXE3,VXE3/A,VXE4,VXE4/A,VZA,VZA/A,VZA1 VZA1/A,VZA2,VZA2/A,VZE1,VZE1/A	
10	37240-ZG3-E01	SWITCH, OIL PRESSURE .....	-	-	1	-	QAD2,QAF,QAF2,QDW,QDX2,QYF,QZF,SWD,VDF2	
	37240-ZG5-004	.....	-	-	1	-	QAD2/A,QAF/A,QAF2/A,QDW/A,QDX2/A,QYF/A,QZF/A,SWD/A,VDF2/A	
11	90002-ZG5-004	SCREW-WASHER, 4X8 .....	-	-	1	-	QAD2,QAD2/A,QAF,QAF/A,QAF2,QAF2/A,QDW,QDW/A,QDX2,QDX2/A,QYF QYF/A,QZF,QZF/A,SWD,SWD/A,VDF2,VDF2/A	
12	90029-888-000	BOLT, FLANGE, 6X16(CT200) ...	-	-	2	-		
13	90031-ZE1-000	BOLT, FLANGE, 6X32 .....	-	-	2	-		
14	91001-ZJ1-841	BEARING, NEEDLE, 8X12.7X11.1	-	-	1	-	PZE,PZE/A,QAD2,QAD2/A,QAF,QAF/A,QAF2,QAF2/A,QDE,QDE/A,QDF QDF/A,QDF2,QDF2/A,QDF6,QDF6/A,QDW,QDW/A,QDX2,QDX2/A,QWF,QWF/A QYF,QYF/A,QZA,QZA/A,QZA6,QZA6/A,QZB,QZB/A,QZB2,QZB2/A,QZE QZE/A,QZE3,QZE3/A,QZE4,QZE4/A,QZE6,QZE6/A,QZF,QZF/A,QZF1 QZF1/A,QZF8,QZF8/A,QZX5,QZX5/A,SWD,SWD/A,TFX2,TFX2/A,VD,VD/A VEP4,VEP4/A,VXD,VXD/A,VXE,VXE/A,VXE1,VXE1/A,VXE3,VXE3/A,VXE4 VXE4/A,VZA,VZA/A,VZA1,VZA1/A,VZA2,VZA2/A,VZE1,VZE1/A	
15	91002-ZJ1-841	BEARING, NEEDLE, 8X12X10 .....	-	-	1	-	PZE,PZE/A,QAD2,QAD2/A,QAF,QAF/A,QAF2,QAF2/A,QDE,QDE/A,QDF QDF/A,QDF2,QDF2/A,QDF6,QDF6/A,QDW,QDW/A,QDX2,QDX2/A,QWF,QWF/A QYF,QYF/A,QZA,QZA/A,QZA6,QZA6/A,QZB,QZB/A,QZB2,QZB2/A,QZE QZE/A,QZE3,QZE3/A,QZE4,QZE4/A,QZE6,QZE6/A,QZF,QZF/A,QZF1 QZF1/A,QZF8,QZF8/A,QZX5,QZX5/A,SWD,SWD/A,TFX2,TFX2/A,VD,VD/A VEP4,VEP4/A,VXD,VXD/A,VXE,VXE/A,VXE1,VXE1/A,VXE3,VXE3/A,VXE4 VXE4/A,VZA,VZA/A,VZA1,VZA1/A,VZA2,VZA2/A,VZE1,VZE1/A	
16	91201-ZE9-003	OIL SEAL, 8X14X5 .....	-	-	1	-	PZE,PZE/A,QAD2,QAD2/A,QAF,QAF/A,QAF2,QAF2/A,QDE,QDE/A,QDF QDF/A,QDF2,QDF2/A,QDF6,QDF6/A,QDW,QDW/A,QDX2,QDX2/A,QWF,QWF/A QYF,QYF/A,QZA,QZA/A,QZA6,QZA6/A,QZB,QZB/A,QZB2,QZB2/A,QZE QZE/A,QZE3,QZE3/A,QZE4,QZE4/A,QZE6,QZE6/A,QZF,QZF/A,QZF1 QZF1/A,QZF8,QZF8/A,QZX5,QZX5/A,SWD,SWD/A,TFX2,TFX2/A,VD,VD/A VEP4,VEP4/A,VXD,VXD/A,VXE,VXE/A,VXE1,VXE1/A,VXE3,VXE3/A,VXE4 VXE4/A,VZA,VZA/A,VZA1,VZA1/A,VZA2,VZA2/A,VZE1,VZE1/A	
17	91201-ZJ1-841	OIL SEAL, 38X58X9 .....	-	-	1	-		
18	91302-MB6-830	O-RING, 13X3.0 .....	-	-	1	-		
19	91353-671-004	O-RING, 14MM(NOK) .....	-	-	1	-	PZE,PZE/A,QZA,QZA/A,QZA6,QZA6/A,QZB,QZB/A,QZB2,QZB2/A,QZE QZE/A,QZE3,QZE3/A,QZE4,QZE4/A,QZE6,QZE6/A,QZF1,QZF1/A,QZF8 QZF8/A,QZX5,QZX5/A,TFX2,TFX2/A,VD,VD/A,VEP4,VEP4/A,VXD,VXD/A VXE,VXE/A,VXE1,VXE1/A,VXE3,VXE3/A,VXE4,VXE4/A,VZA,VZA/A,VZA1 VZA1/A,VZA2,VZA2/A,VZE1,VZE1/A	
20	92800-14000	BOLT, DRAIN PLUG, 14MM .....	-	-	2	-		
21	94050-10000	NUT, FLANGE, 10MM .....	-	-	1	-	PZE,PZE/A,QZA,QZA/A,QZA6,QZA6/A,QZB,QZB/A,QZB2,QZB2/A,QZE QZE/A,QZE3,QZE3/A,QZE4,QZE4/A,QZE6,QZE6/A,QZF1,QZF1/A,QZF8 QZF8/A,QZX5,QZX5/A,TFX2,TFX2/A,VD,VD/A,VEP4,VEP4/A,VXD,VXD/A VXE,VXE/A,VXE1,VXE1/A,VXE3,VXE3/A,VXE4,VXE4/A,VZA,VZA/A,VZA1 VZA1/A,VZA2,VZA2/A,VZE1,VZE1/A	



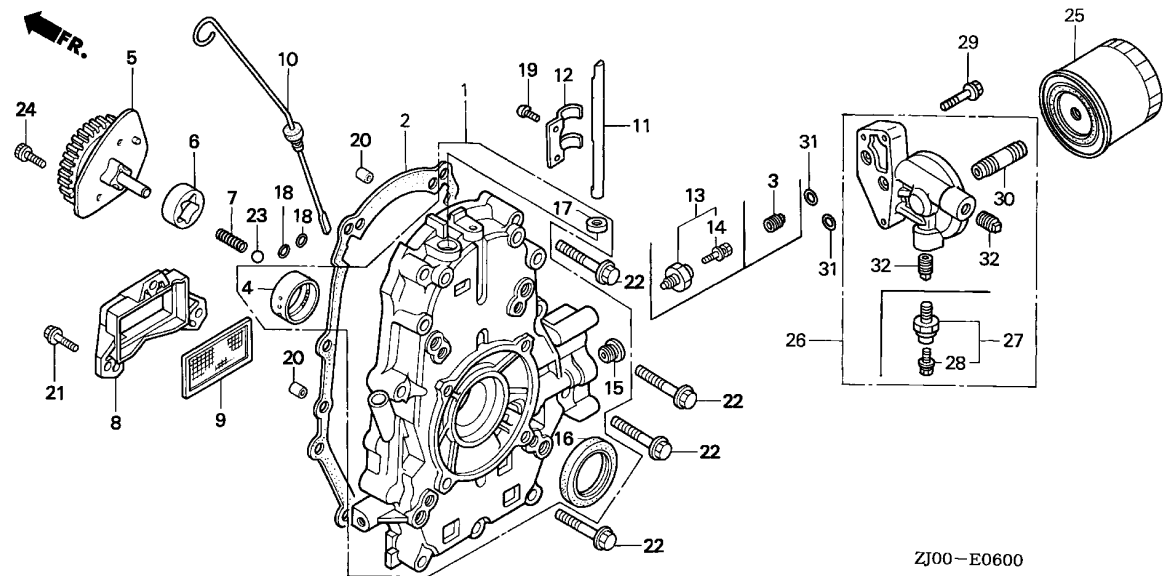


Ref. No.	Part No.	Description	Reqd. QTY				Serial No.	Parts catalogue code
			GX 610	GX 610	GX 610 K1	GX 610 (3)		
22	94102-08800	WASHER, PLAIN, 8MM .....	-	-	3	-	PZE,PZE/A,QAD2,QAD2/A,QAF,QAF/A,QAF2,QAF2/A,QDE,QDE/A,QDF,QDF/A,QDF2,QDF2/A,QDF6,QDF6/A,QDW,QDW/A,QDX2,QDX2/A,QWF,QWF/A,QYF,QYF/A,QZA,QZA/A,QZA6,QZA6/A,QZB,QZB/A,QZB2,QZB2/A,QZE,QZE/A,QZE3,QZE3/A,QZE4,QZE4/A,QZE6,QZE6/A,QZF,QZF/A,QZF1,QZF1/A,QZF8,QZF8/A,QZX5,QZX5/A,SWD,SWD/A,TXF2,TXF2/A,VD,VD/A,VEP4,VEP4/A,VXD,VXD/A,VXE,VXE/A,VXE1,VXE1/A,VXE3,VXE3/A,VXE4,VXE4/A,VZA,VZA/A,VZA1,VZA1/A,VZA2,VZA2/A,VZE1,VZE1/A	
23	94109-14000	WASHER, DRAIN PLUG, 14MM .....	-	-	2	-	PZE,PZE/A,QAD2,QAD2/A,QAF,QAF/A,QAF2,QAF2/A,QDE,QDE/A,QDF,QDF/A,QDF2,QDF2/A,QDF6,QDF6/A,QDW,QDW/A,QDX2,QDX2/A,QWF,QWF/A,QYF,QYF/A,QZA,QZA/A,QZA6,QZA6/A,QZB,QZB/A,QZB2,QZB2/A,QZE,QZE/A,QZE3,QZE3/A,QZE4,QZE4/A,QZE6,QZE6/A,QZF,QZF/A,QZF1,QZF1/A,QZF8,QZF8/A,QZX5,QZX5/A,SWD,SWD/A,TXF2,TXF2/A,VD,VD/A,VEP4,VEP4/A,VXD,VXD/A,VXE,VXE/A,VXE1,VXE1/A,VXE3,VXE3/A,VXE4,VXE4/A,VZA,VZA/A,VZA1,VZA1/A,VZA2,VZA2/A,VZE1,VZE1/A	
24	94251-08000	PIN, LOCK, 8MM .....	-	-	2	-	PZE,PZE/A,QAD2,QAD2/A,QAF,QAF/A,QAF2,QAF2/A,QDE,QDE/A,QDF,QDF/A,QDF2,QDF2/A,QDF6,QDF6/A,QDW,QDW/A,QDX2,QDX2/A,QWF,QWF/A,QYF,QYF/A,QZA,QZA/A,QZA6,QZA6/A,QZB,QZB/A,QZB2,QZB2/A,QZE,QZE/A,QZE3,QZE3/A,QZE4,QZE4/A,QZE6,QZE6/A,QZF,QZF/A,QZF1,QZF1/A,QZF8,QZF8/A,QZX5,QZX5/A,SWD,SWD/A,TXF2,TXF2/A,VD,VD/A,VEP4,VEP4/A,VXD,VXD/A,VXE,VXE/A,VXE1,VXE1/A,VXE3,VXE3/A,VXE4,VXE4/A,VZA,VZA/A,VZA1,VZA1/A,VZA2,VZA2/A,VZE1,VZE1/A	
25	95701-06075-09	BOLT, FLANGE, 6X75 .....	-	-	2	-	PZE,PZE/A,QAD2,QAD2/A,QAF,QAF/A,QAF2,QAF2/A,QDE,QDE/A,QDF,QDF/A,QDF2,QDF2/A,QDF6,QDF6/A,QDW,QDW/A,QDX2,QDX2/A,QWF,QWF/A,QYF,QYF/A,QZA,QZA/A,QZA6,QZA6/A,QZB,QZB/A,QZB2,QZB2/A,QZE,QZE/A,QZE3,QZE3/A,QZE4,QZE4/A,QZE6,QZE6/A,QZF,QZF/A,QZF1,QZF1/A,QZF8,QZF8/A,QZX5,QZX5/A,SWD,SWD/A,TXF2,TXF2/A,VD,VD/A,VEP4,VEP4/A,VXD,VXD/A,VXE,VXE/A,VXE1,VXE1/A,VXE3,VXE3/A,VXE4,VXE4/A,VZA,VZA/A,VZA1,VZA1/A,VZA2,VZA2/A,VZE1,VZE1/A	
26	96140-60030-10	BEARING, RADIAL BALL, 6003 ..	-	-	1	-	VDF2,VDF2/A	
27	12000-ZJ0-405	BARREL ASSY., CYLINDER .....	-	-	1	-	VDF2,VDF2/A	

E-6

CRANKCASE COVER(1)

D11

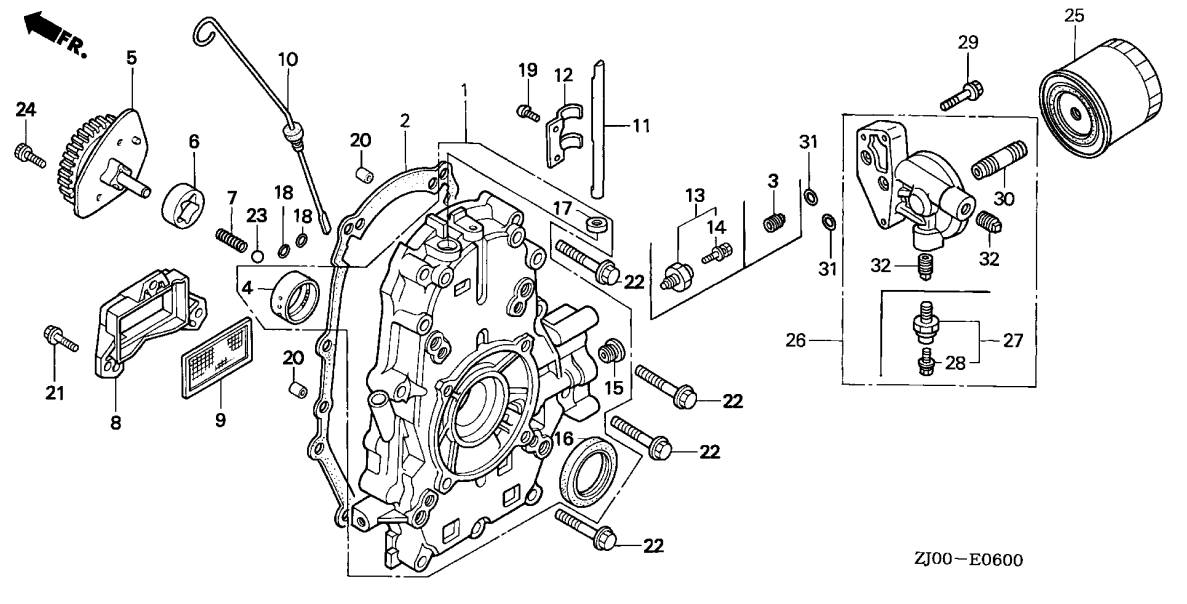


Ref. No.	L.O.N.	(Relative ref. Number) Description	F.R.T.	
1	1101F1	COVER, CRANKCASE .....	1.5	
2	1101E9	PACKING, CRANKCASE COVER .....	0.9	
4	1101A6	BEARING, CRANKSHAFT :REAR .....	1.0	
5	1131A2	COVER, OIL PUMP .....	1.0	
6		(7,23)		
	1131B3	ROTOR, OIL PUMP OUTER .....	1.0	
8	1101B5	COVER, OIL FILTER .....	1.0	
9	1101D2	SCREEN, OIL FILTER .....	1.0	
11	1161B4	SHAFT, GOVERNOR ARM .....	1.0	
13		(27)		
	6151E4	SWITCH, OIL PRESSURE .....	0.2	
16	1101E5	OIL SEAL, CRANKSHAFT :REAR ...	1.0	
17	1101C4	OIL SEAL, GOVERNOR ARM SHAFT -	1.0	
25	110175	CARTRIDGE, OIL FILTER .....	0.2	
		.EXCLUDES: Engine oil-change (31)		
26		1101A2	BASE, OIL FILTER .....	0.3

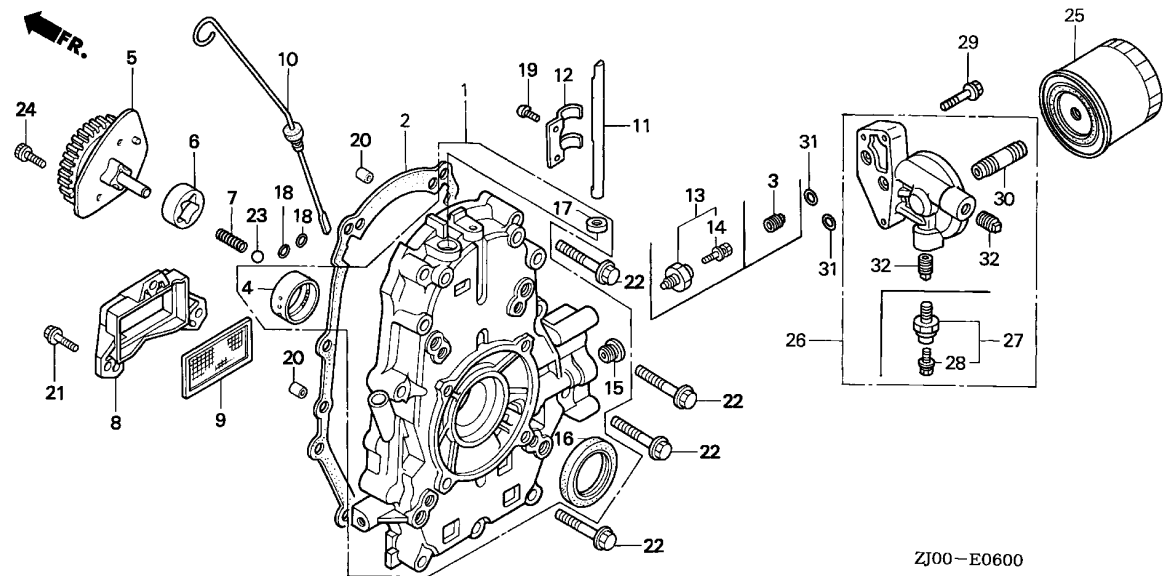
Ref. No.	Part No.	Description	Reqd. QTY				Serial No.	Parts catalogue code
			GX 610	GX 610	GX 610	GX 610		
1	11300-ZJ1-830	COVER ASSY., CRANKCASE (MUFFLER)	1	(1)	-	-	-----	QDA1,QZA,QZA1,QZA6,QZB,QZD,Q1,VXA3,VZA,VZA1,VZA4,V1
	11300-ZJ1-000	COVER ASSY., CRANKCASE .....	1	(1)	-	-	-----	S1,VD,VXD
	11300-ZJ1-600	.....	1	(1)	-	-	-----	PZE,QAC6,QAF,QAF2,QDE,QDE1,QDE6,QDF,QDF2,QDF6,QDW,QXE4,QXF6,QYF,QZD1,QZE,QZE4,QZE6,QZF,QZF1,QZF6,QZX4,Q1,TFX2,VXE,VXE1,VXE3,VXE4,V1
2	11381-ZJ1-000	PACKING, CASE COVER .....	-	-	-	1	-----	
3	12105-ZA0-701	BOLT, SEALING .....	1	-	-	1	-----	PZE,QDE,QDE1,QDE6,QDF,QDF2,QDF6,QXE4,QXF6,QZA1,QZD,QZD1,QZE,QZE4,QZE6,QZX4,TFX2,VD,VXA3,VXD,VXE,VXEP,VXE1,VXE3,VXE4,VZA,VZA1,VZA4
	12105-ZA0-700	.....	1	-	-	-	-----	QDA1,QDE,QDF,QZA,QZB,QZE,VXE
4	13321-ZJ1-000	BEARING A, MAIN (BLUE) .....	1	1	-	1	-----	
	13322-ZJ1-000	BEARING B, MAIN (BLACK) .....	1	1	-	1	-----	
	13323-ZJ1-000	BEARING C, MAIN (BROWN) .....	1	1	-	1	-----	
5	15120-ZJ1-000	COVER ASSY., OIL PUMP .....	1	1	-	1	-----	
6	15124-ZJ1-003	ROTOR, OIL PUMP OUTER .....	1	1	-	1	-----	
7	15232-ZJ1-000	SPRING, RELIEF VALVE .....	1	1	-	1	-----	
8	15348-ZJ1-000	COVER, OIL FILTER .....	1	1	-	1	-----	
9	15427-ZJ1-000	SCREEN, OIL FILTER .....	1	1	-	1	-----	
10	15655-ZJ1-000	GAUGE COMP., OIL LEVEL .....	1	1	-	1	-----	
11	16541-ZJ1-000	SHAFT, GOVERNOR ARM .....	1	1	-	1	-----	
12	16542-ZJ1-000	FORK, GOVERNOR .....	1	1	-	1	-----	
13	37240-ZG3-E01	SWITCH, OIL PRESSURE .....	1	-	-	1	-----	QAC6,QAF,QAFP,QAFU,QAF2,QDW,QYF,QZF,QZF1,QZF6
		.....	-	(1)	-	-	-----	

2





Ref. No.	Part No.	Description	Reqd. QTY				Serial No.	Parts catalogue code
			GX 610	GX 610	GX 610 K1	GX 610		
			(1)	(2)	(3)			
14	90002-ZG5-004	SCREW-WASHER, 4X8 .....	1	-	-	1	-----	QAC6,QAF,QAFP,QAFU,QAF2,QDW,QYF,QZF,QZF1,QZF6
15	90007-ZG8-300	BOLT, SEALING, 12MM .....	1	-	-	-	-----	PZE,QAC6,QAF,QAF2,QDE,QDE1,QDE6,QDF,QDF2,QDF6,QDW,QXE4,QXF6 QYF,QZD1,QZE,QZE4,QZE6,QZF,QZF1,QZF6,QZX4,TFX2,VD,VXD,VXE,VXE1 VXE3,VXE4
			-	(1)	-	1		
16	91201-ZJ1-003	OIL SEAL, 38X58X11 .....	1	1	-	1		
17	91206-333-003	OIL SEAL, 10X16X4.5 .....	1	1	-	1		
18	91302-MB6-830	O-RING, 13X3.0 .....	2	-	-	-		
19	93500-05010-0A	SCREW, PAN, 5X10 .....	2	2	-	2		
20	94301-08140	DOWEL PIN, 8X14 .....	2	2	-	2		
21	95701-06020-00	BOLT, FLANGE, 6X20 .....	3	-	-	-	-----	PZE,QAC6,QAF,QAF2,QDA1,QDE,QDE1,QDE6,QDF,QDF2,QDF6,QDW,QXE4 QXF6,QYF,QZA,QZA1,QZA6,QZB,QZD,QZE,QZE4,QZE6,QZF,QZF1,QZF6 QZX4,VD,VXA3,VXD,VXE,VXE1,VXE3,VXE4,VZA,VZA1,VZA4
			3	-	-	-	-----	1010961 QZD1,TFX2
	90022-888-010	BOLT, FLANGE, 6X20(CT200) ...	3	-	-	3		
22	95701-08050-00	BOLT, FLANGE, 8X50 .....	9	9	-	9	1010962	----- QZD1,TFX2
23	96211-12000	BALL, STEEL, #12 (3/8) .....	1	1	-	1		
24	96600-06016-00	BOLT, SOCKET, 6X16 .....	2	2	-	2		
25	15400-ZJ1-004	CARTRIDGE, OIL FILTER (TOYO ROKI)	1	-	-	-	-----	QDA1,QZA,QZA1,QZA6,QZB,QZD,VXA3,VZA,VZA1,VZA4
			-	(1)	-	-		
26	15410-ZJ1-800	BASE COMP., OIL FILTER (A) ..	1	-	-	-	-----	QDA1,QZA,QZA1,QZA6,QZD,VXA3,VZA,VZA1,VZA4
			-	1	-	-		



ZJ00-E0600

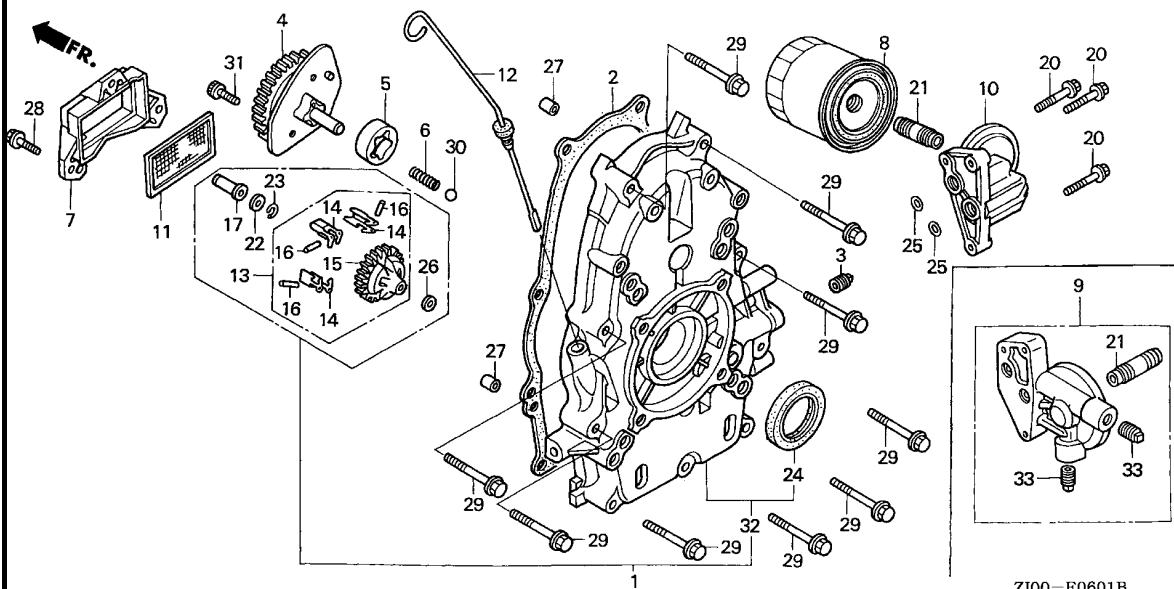
Ref. No.	Part No.	Description	Reqd. QTY				Serial No.	Parts catalogue code
			GX 610 (1)	GX 610 (2)	GX 610 K1 (3)	GX 610 (3)		
26)	15410-ZJ1-820	BASE COMP., OIL FILTER (C) ..	1	-	-	-	----- QZB	
27	37240-ZG3-E01	SWITCH, OIL PRESSURE .....	1	(1)	-	-	----- QZB	
28	90002-ZG5-004	SCREW-WASHER, 4X8 .....	1	-	-	-	----- QZB	
29	90014-ZE6-000	BOLT, FLANGE, 6X35(CT200) ...	3	-	-	-	----- QDA1,QZA,QZA1,QZA6,QZB,QZD,VXA3,VZA,VZA1,VZA4	
30	90018-PN3-000	HOLDER, OIL FILTER .....	1	-	-	-	----- QDA1,QZA,QZA1,QZA6,QZB,QZD,VXA3,VZA,VZA1,VZA4	
31	91302-ZE9-003	O-RING, 11.8X2.4 .....	2	-	-	-	----- QDA1,QZA,QZA1,QZA6,QZB,QZD,VXA3,VZA,VZA1,VZA4	
32	12105-ZA0-701	BOLT, SEALING .....	2	-	-	-	----- QDA1,QZA,QZA1,QZA6,QZD,VXA3,VZA,VZA1,VZA4	
			1	-	-	-	----- QZB	
			-	(1)	-	-		



E-6-1

CRANKCASE COVER(2)

D14



Ref. No.	L.O.N.	(Relative ref. Number) Description	F.R.T.
1	1101F1	COVER, CRANKCASE .....	1.5
2	1101E9	PACKING, CRANKCASE COVER .....	0.9
4	1131A2	COVER, OIL PUMP .....	1.0
5		(6,30)	
	1131B3	ROTOR, OIL PUMP OUTER .....	1.0
7	1101B5	COVER, OIL FILTER .....	1.0
8	110175	CARTRIDGE, OIL FILTER .....	0.2
		.EXCLUDES: Engine oil-change (9,25)	
10	1101A2	BASE, OIL FILTER .....	0.3
11	1101D2	SCREEN, OIL FILTER .....	1.0
15		(14)	
	1161A7	HOLDER, GOVERNOR WEIGHT .....	1.2
17	1161B6	SLIDER, GOVERNOR .....	1.1
24	1101E5	OIL SEAL, CRANKSHAFT :REAR ...	1.0

ZJ00-E0601B

Ref. No.	Part No.	Description	Reqd. QTY				Serial No.	Parts catalogue code
			GX 610	GX 610	GX 610	GX 610		
1	11300-ZJ1-840	COVER ASSY., CRANKCASE .....	-	-	1	-	2017181	PZE,QAF,QAF2,QDE,QDF,QDF2,QDF6,QDW,QWF,QYF,QZA,QZA6,QZB,QZB2,QZE,QZE3,QZE4,QZE6,QZF,QZF1,TXF2,VXE,VXE1,VXE3,VXE4,VZA,VZA1,VZA2,VZE1
	11300-ZJ1-841	.....	-	-	1	-	2017182	QAD2,QDX2,QZF8,QZX5,VEP4
	11300-ZJ1-850	.....	-	-	1	-	2017181	PZE,QAF,QAF2,QDE,QDF,QDF2,QDF6,QDW,QWF,QYF,QZA,QZA6,QZB,QZB2,QZE,QZE3,QZE4,QZE6,QZF,QZF1,TXF2,VXE,VXE1,VXE3,VXE4,VZA,VZA1,VZA2,VZE1
	11300-ZJ1-842	.....	-	-	1	-	2017182	VD,VXD
	11300-ZJ1-851	.....	-	-	1	-	2017182	PZE/A,QAD2/A,QAF/A,QAF2/A,QDE/A,QDF/A,QDF2/A,QDF6/A,QDW/A,QDX2/A,QWF/A,QYF/A,QZA/A,QZA6/A,QZB/A,QZB2/A,QZE/A,QZE3/A,QZE4/A,QZE6/A,QZF/A,QZF1/A,QZF8/A,QZX5/A,TXF2/A,VEP4/A,VXE1/A,VXE3/A,VXE4/A,VZA/A,VZA1/A,VZA2/A,VZE1/A
	11300-ZJ1-852	.....	-	-	1	-		SWD
2	11381-ZJ1-840	GASKET, CASE COVER .....	-	-	1	-		VD,VXD
3	12105-ZA0-701	BOLT, SEALING .....	-	-	1	-		SWD/A,VD/A,VXD/A
	4	15120-ZJ1-000	COVER ASSY., OIL PUMP .....	-	-	1	-	PZE,PZE/A,QDE,QDE/A,QDF,QDF/A,QDF2,QDF2/A,QDF6,QDF6/A,QWF,QWF/A,QZA,QZA/A,QZA6,QZA6/A,QZB,QZB/A,QZB2,QZB2/A,QZE,QZE/A,QZE3,QZE3/A,QZE4,QZE4/A,QZE6,QZE6/A,QZF1,QZF1/A,QZF8,QZF8/A,QZX5,QZX5/A,TXF2,TXF2/A,VD,VD/A,VEP4,VEP4/A,VXD,VXD/A,VXE,VXE/A,VXE1,VXE1/A,VXE3,VXE3/A,VXE4,VXE4/A,VZA,VZA/A,VZA1,VZA1/A,VZA2,VZA2/A,VZE1,VZE1/A
	5	15124-ZJ1-003	ROTOR, OIL PUMP OUTER .....	-	-	1	-	
	6	15232-ZJ1-000	SPRING, RELIEF VALVE .....	-	-	1	-	
	7	15348-ZJ1-840	COVER, OIL FILTER .....	-	-	1	-	

2

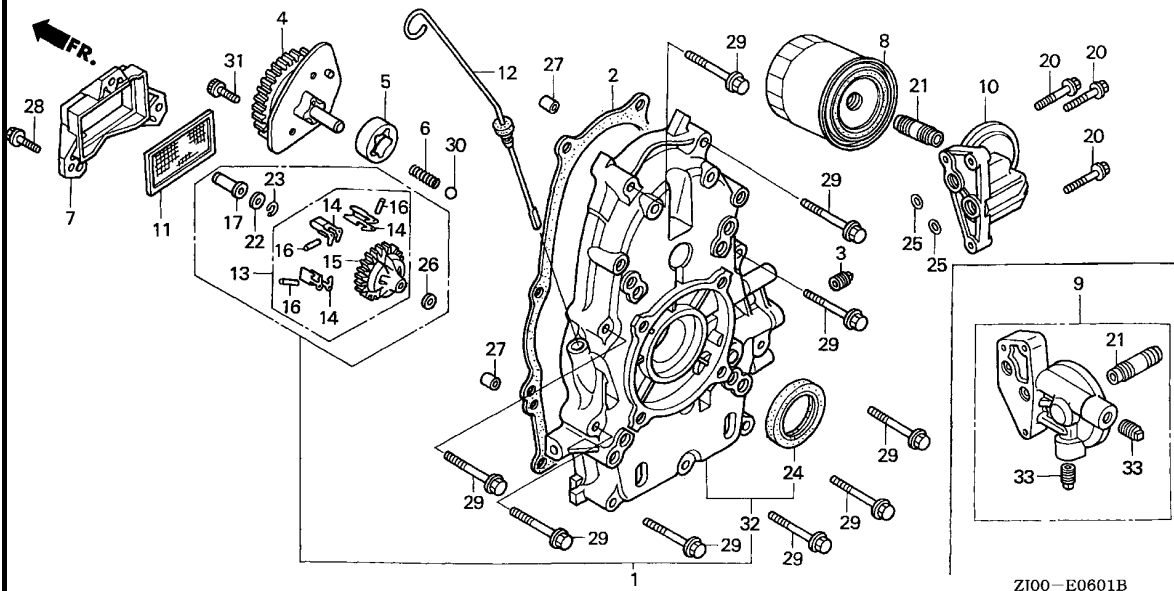
Ref. No.	Part No.	Description	Reqd. QTY				Serial No.	Parts catalogue code
			GX 610	GX 610	GX 610 K1	GX 610		
			(1)	(2)	(3)			
8	15400-ZJ1-004	CARTRIDGE, OIL FILTER (TOYO ROKI)	-	-	1	-		
9	15410-ZJ1-800	BASE COMP., OIL FILTER (A) ..	-	-	1	-	----- QZA/A,QZA6,QZA6/A,QZB,QZB/A,QZB2,QZB2/A,VZA/A,VZA1,VZA1/A,VZA2	
10	15411-ZJ1-840	BASE, OIL FILTER .....	-	-	1	-	----- VZA2/A PZE,PZE/A,QAD2,QAD2/A,QAF,QAF/A,QAF2,QAF2/A,QDE,QDE/A,QDF QDF/A,QDF2,QDF2/A,QDF6,QDF6/A,QDW,QDW/A,QDX2,QDX2/A,QWF,QWF/A QYF,QYF/A,QZE,QZE/A,QZE3,QZE3/A,QZE4,QZE4/A,QZE6,QZE6/A,QZF,QZF/A,QZF1 QZF1/A,QZF8,QZF8/A,QZX5,QZX5/A,SWD,SWD/A,TXF2,TXF2/A,VD,VD/A,VEP4,VEP4/A,VXD,VXD/A,VXE,VXE/A VXE1,VXE1/A,VXE3,VXE3/A,VXE4,VXE4/A,VZE1,VZE1/A	
11	15427-ZJ1-000	SCREEN, OIL FILTER .....	-	-	1	-		
12	15655-ZJ1-861	GAUGE COMP., OIL LEVEL .....	-	-	1	-	----- PZE,PZE/A,QAD2,QAD2/A,QAF,QAF/A,QAF2,QAF2/A,QDE,QDE/A,QDF QDF/A,QDF2,QDF2/A,QDF6,QDF6/A,QDW,QDW/A,QDX2,QDX2/A,QWF,QWF/A QYF,QYF/A,QZA,QZA/A,QZA6,QZA6/A,QZB,QZB/A,QZB2,QZB2/A,QZE QZE/A,QZE3,QZE3/A,QZE4,QZE4/A,QZE6,QZE6/A,QZF,QZF/A,QZF1 QZF1/A,QZF8,QZF8/A,QZX5,QZX5/A,SWD,SWD/A,TXF2,TXF2/A,VD,VD/A,VEP4,VEP4/A,VXD,VXD/A,VXE,VXE/A,VXE1,VXE1/A,VXE3,VXE3/A,VXE4 VXE4/A,VZA,VZA/A,VZA1,VZA1/A,VZA2,VZA2/A,VZE1,VZE1/A	
	15655-ZJ1-851	.....	-	-	1	-	----- SWD,SWD/A	
13	16510-ZJ1-840	GOVERNOR ASSY. ....	-	-	1	-	----- PZE,PZE/A,QAD2,QAD2/A,QAF,QAF/A,QAF2,QAF2/A,QDE,QDE/A,QDF QDF/A,QDF2,QDF2/A,QDF6,QDF6/A,QDW,QDW/A,QDX2,QDX2/A,QWF,QWF/A QYF,QYF/A,QZA,QZA/A,QZA6,QZA6/A,QZB,QZB/A,QZB2,QZB2/A,QZE QZE/A,QZE3,QZE3/A,QZE4,QZE4/A,QZE6,QZE6/A,QZF,QZF/A,QZF1 QZF1/A,QZF8,QZF8/A,QZX5,QZX5/A,SWD,SWD/A,TXF2,TXF2/A,VD,VD/A VEP4,VEP4/A,VXD,VXD/A,VXE,VXE/A,VXE1,VXE1/A,VXE3,VXE3/A,VXE4 VXE4/A,VZA,VZA/A,VZA1,VZA1/A,VZA2,VZA2/A,VZE1,VZE1/A	
14	16511-ZJ1-840	WEIGHT, GOVERNOR .....	-	-	3	-	----- PZE,PZE/A,QAD2,QAD2/A,QAF,QAF/A,QAF2,QAF2/A,QDE,QDE/A,QDF QDF/A,QDF2,QDF2/A,QDF6,QDF6/A,QDW,QDW/A,QDX2,QDX2/A,QWF,QWF/A QYF,QYF/A,QZA,QZA/A,QZA6,QZA6/A,QZB,QZB/A,QZB2,QZB2/A,QZE QZE/A,QZE3,QZE3/A,QZE4,QZE4/A,QZE6,QZE6/A,QZF,QZF/A,QZF1 QZF1/A,QZF8,QZF8/A,QZX5,QZX5/A,SWD,SWD/A,TXF2,TXF2/A,VD,VD/A VEP4,VEP4/A,VXD,VXD/A,VXE,VXE/A,VXE1,VXE1/A,VXE3,VXE3/A,VXE4 VXE4/A,VZA,VZA/A,VZA1,VZA1/A,VZA2,VZA2/A,VZE1,VZE1/A	
15	16512-ZJ1-840	HOLDER, GOVERNOR WEIGHT .....	-	-	1	-	----- PZE,PZE/A,QAD2,QAD2/A,QAF,QAF/A,QAF2,QAF2/A,QDE,QDE/A,QDF QDF/A,QDF2,QDF2/A,QDF6,QDF6/A,QDW,QDW/A,QDX2,QDX2/A,QWF,QWF/A QYF,QYF/A,QZA,QZA/A,QZA6,QZA6/A,QZB,QZB/A,QZB2,QZB2/A,QZE QZE/A,QZE3,QZE3/A,QZE4,QZE4/A,QZE6,QZE6/A,QZF,QZF/A,QZF1 QZF1/A,QZF8,QZF8/A,QZX5,QZX5/A,SWD,SWD/A,TXF2,TXF2/A,VD,VD/A VEP4,VEP4/A,VXD,VXD/A,VXE,VXE/A,VXE1,VXE1/A,VXE3,VXE3/A,VXE4 VXE4/A,VZA,VZA/A,VZA1,VZA1/A,VZA2,VZA2/A,VZE1,VZE1/A	
16	16513-ZE2-000	PIN, GOVERNOR WEIGHT .....	-	-	3	-	----- PZE,PZE/A,QAD2,QAD2/A,QAF,QAF/A,QAF2,QAF2/A,QDE,QDE/A,QDF QDF/A,QDF2,QDF2/A,QDF6,QDF6/A,QDW,QDW/A,QDX2,QDX2/A,QWF,QWF/A QYF,QYF/A,QZA,QZA/A,QZA6,QZA6/A,QZB,QZB/A,QZB2,QZB2/A,QZE QZE/A,QZE3,QZE3/A,QZE4,QZE4/A,QZE6,QZE6/A,QZF,QZF/A,QZF1 QZF1/A,QZF8,QZF8/A,QZX5,QZX5/A,SWD,SWD/A,TXF2,TXF2/A,VD,VD/A VEP4,VEP4/A,VXD,VXD/A,VXE,VXE/A,VXE1,VXE1/A,VXE3,VXE3/A,VXE4 VXE4/A,VZA,VZA/A,VZA1,VZA1/A,VZA2,VZA2/A,VZE1,VZE1/A	
17	16531-ZE2-000	SLIDER, GOVERNOR .....	-	-	1	-	----- 2017181 PZE,QAF,QAF2,QDE,QDF,QDF2,QDF6,QDW,QWF,QYF,QZA,QZA6,QZB,QZB2 QZE,QZE3,QZE4,QZE6,QZF,QZF1,TXF2,VD,VXD,VXE,VXE1,VXE3,VXE4,VZA VZA1,VZA2,VZE1	



E-6-1

CRANKCASE COVER(2)

D16

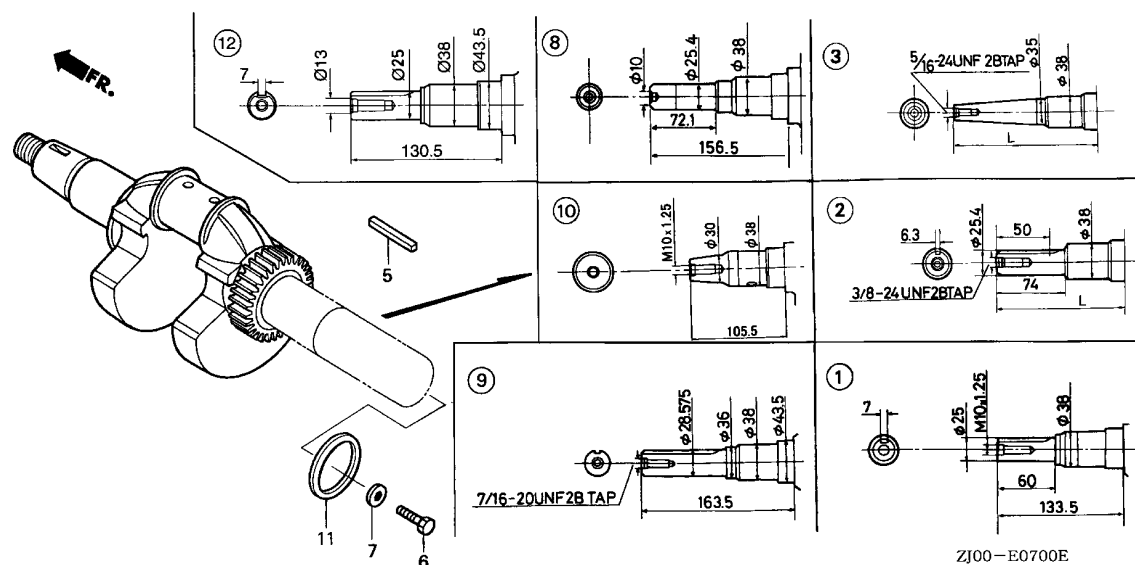


ZJ00-E0601B

Ref. No.	Part No.	Description	Reqd. QTY				Serial No.	Parts catalogue code
			GX 610	GX 610	GX 610	GX 610		
17)	16531-Z0A-000	SLIDER, GOVERNOR .....	-	-	1	-	PZE/A, QAD2, QAD2/A, QAF/A, QAF2/A, QDE/A, QDF/A, QDF2/A, QDF6/A, QDW/A, QDX2, QDX2/A, QWF/A, QYF/A, QZA/A, QZA6/A, QZB/A, QZB2/A, QZE/A, QZE3/A, QZE4/A, QZE6/A, QZF/A, QZF1/A, QZF8, QZF8/A, QZX5, QZX5/A, SWD, SWD/A, TXF2/A, VD/A, VEP4, VEP4/A, VXD/A, VXE/A, VXE1/A, VXE3/A, VXE4/A, VZA/A, VZA1/A, VZA2/A, VZE1/A	
			-	-	1	2017182	PZE, QAF, QAF2, QDE, QDF, QDF2, QDF6, QDW, QWF, QYF, QZA, QZA6, QZB, QZB2, QZE, QZE3, QZE4, QZE6, QZF, QZF1, TXF2, VD, VXD, VXE, VXE1, VXE3, VXE4, VZA, VZA1, VZA2, VZE1	
	90014-ZE6-000	BOLT, FLANGE, 6X35(CT200) ...	-	-	3	-	QZA, QZA/A, QZA6, QZA6/A, QZB, QZB/A, QZB2, QZB2/A, VZA, VZA/A, VZA1, VZA1/A, VZA2, VZA2/A	
	90015-883-000	BOLT, FLANGE, 6X28 .....	-	-	3	-	PZE, PZE/A, QAD2, QAD2/A, QAF, QAF/A, QAF2, QAF2/A, QDE, QDE/A, QDF, QDF/A, QDF2, QDF2/A, QDF6, QDF6/A, QDW, QDW/A, QDX2, QDX2/A, QWF, QWF/A, QYF, QYF/A, QZE, QZE/A, QZE3, QZE3/A, QZE4, QZE4/A, QZE6, QZE6/A, QZF, QZF/A, QZF1, QZF1/A, QZF8, QZF8/A, QZX5, QZX5/A, SWD, SWD/A, TXF2, TXF2/A, VD, VD/A, VDF2, VDF2/A, VEP4, VEP4/A, VXD, VXD/A, VXE, VXE/A, VXE1, VXE1/A, VXE3, VXE3/A, VXE4, VXE4/A, VZE1, VZE1/A	
	21 90018-PN3-000	HOLDER, OIL FILTER .....	-	-	1	-	PZE, PZE/A, QAD2, QAD2/A, QAF, QAF/A, QAF2, QAF2/A, QDE, QDE/A, QDF, QDF/A, QDF2, QDF2/A, QDF6, QDF6/A, QDW, QDW/A, QDX2, QDX2/A, QWF, QWF/A, QYF, QYF/A, QZA, QZA/A, QZA6, QZA6/A, QZB, QZB/A, QZB2, QZB2/A, QZE, QZE/A, QZE3, QZE3/A, QZE4, QZE4/A, QZE6, QZE6/A, QZF, QZF/A, QZF1, QZF1/A, QZF8, QZF8/A, QZX5, QZX5/A, SWD, SWD/A, TXF2, TXF2/A, VD, VD/A, VEP4, VEP4/A, VXD, VXD/A, VXE, VXE/A, VXE1, VXE1/A, VXE3, VXE3/A, VXE4, VXE4/A, VZA, VZA/A, VZA1, VZA1/A, VZA2, VZA2/A, VZE1, VZE1/A	
	22 90473-147-000	WASHER, 6X16 .....	-	-	1	-		

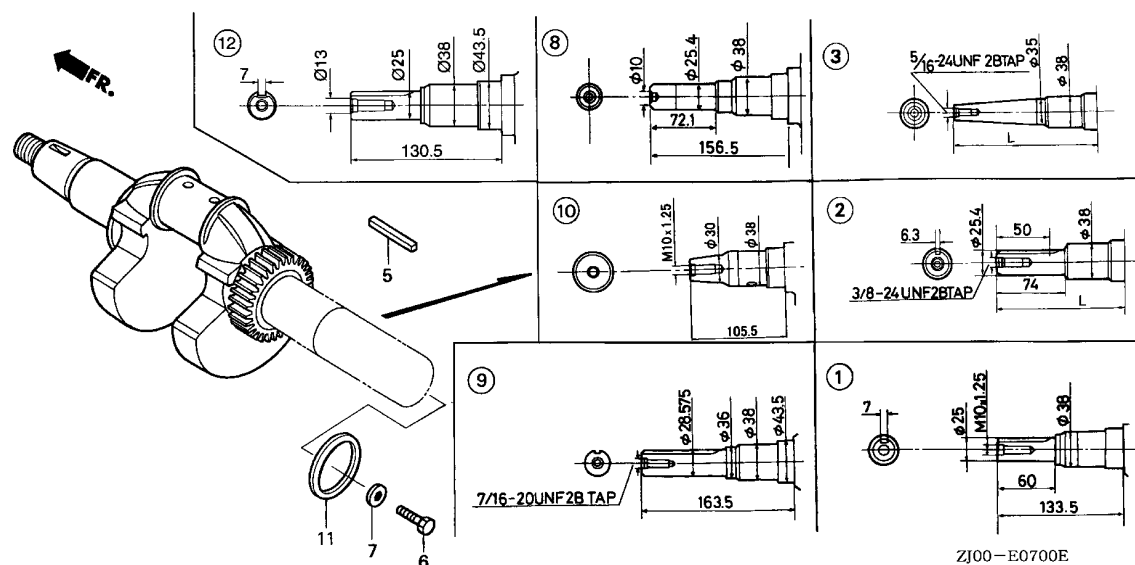
Ref. No.	Part No.	Description	Reqd. QTY				Serial No.	Parts catalogue code
			GX 610	GX 610	GX 610 K1	GX 610		
			(1)	(2)	(3)			
23	90602-ZE1-000	CLIP, GOVERNOR HOLDER .....	-	-	1	-	PZE,PZE/A,QAD2,QAD2/A,QAF,QAF/A,QAF2,QAF2/A,QDE,QDE/A,QDF,QDF/A,QDF2,QDF2/A,QDF6,QDF6/A,QDW,QDW/A,QDX2,QDX2/A,QWF,QWF/A,QYF,QYF/A,QZA,QZA/A,QZA6,QZA6/A,QZB,QZB/A,QZB2,QZB2/A,QZE,QZE/A,QZE3,QZE3/A,QZE4,QZE4/A,QZE6,QZE6/A,QZF,QZF/A,QZF1,QZF1/A,QZF8,QZF8/A,QZX5,QZX5/A,SWD,SWD/A,TXF2,TXF2/A,VD,VD/A,VEP4,VEP4/A,VXD,VXD/A,VXE,VXE/A,VXE1,VXE1/A,VXE3,VXE3/A,VXE4,VXE4/A,VZA,VZA/A,VZA1,VZA1/A,VZA2,VZA2/A,VZE1,VZE1/A	
24	91202-ZJ1-841	OIL SEAL, 38X58X9 .....	-	-	1	-		
25	91302-ZE9-003	O-RING, 11.8X2.4 .....	-	-	2	-		
26	94101-06800	WASHER, PLAIN, 6MM .....	-	-	1	-	PZE,PZE/A,QAD2,QAD2/A,QAF,QAF/A,QAF2,QAF2/A,QDE,QDE/A,QDF,QDF/A,QDF2,QDF2/A,QDF6,QDF6/A,QDW,QDW/A,QDX2,QDX2/A,QWF,QWF/A,QYF,QYF/A,QZA,QZA/A,QZA6,QZA6/A,QZB,QZB/A,QZB2,QZB2/A,QZE,QZE/A,QZE3,QZE3/A,QZE4,QZE4/A,QZE6,QZE6/A,QZF,QZF/A,QZF1,QZF1/A,QZF8,QZF8/A,QZX5,QZX5/A,SWD,SWD/A,TXF2,TXF2/A,VD,VD/A,VEP4,VEP4/A,VXD,VXD/A,VXE,VXE/A,VXE1,VXE1/A,VXE3,VXE3/A,VXE4,VXE4/A,VZA,VZA/A,VZA1,VZA1/A,VZA2,VZA2/A,VZE1,VZE1/A	
27	94301-08140	DOWEL PIN, 8X14 .....	-	-	2	-		
28	95701-06020-00	BOLT, FLANGE, 6X20 .....	-	-	3	-		
29	95701-08050-00	BOLT, FLANGE, 8X50 .....	-	-	9	-		
30	96211-12000	BALL, STEEL, #12 (3/8) .....	-	-	1	-		
31	96600-06016-00	BOLT, SOCKET, 6X16 .....	-	-	2	-		
32	11300-ZJ0-V20	COVER ASSY., CRANKCASE .....	-	-	1	-	VDF2	
	11300-ZJ0-V21	.....	-	-	1	-	VDF2/A	
33	12105-ZA0-701	BOLT, SEALING .....	-	-	2	-	PZE,QAD2,QAF,QAF2,QDE,QDF,QDF2,QDF6,QDW,QWF,QYF,QZA,QZA/A,QZA6,QZA6/A,QZB,QZB/A,QZB2,QZB2/A,QZE,QZE3,QZE4,QZE6,QZF,QZF1,QZF8,QZX5,SWD,TXF2,VD,VDF2,VXD,VXE,VXE1,VXE3,VXE4,VZA,VZA/A,VZA1,VZA1/A,VZA2,VZA2/A,VZE1	





Ref. No.	L.O.N.	(Relative ref. Number) Description	F.R.T.
1	1101F0	(2,3,8,9,10,12) CRANKSHAFT	3.4

Ref. No.	Part No.	Description	Reqd. QTY				Serial No.	Parts catalogue code
			GX 610	GX 610	GX 610	GX 610		
1	13310-ZJ1-000	CRANKSHAFT COMP. (L=133.5) ..	-	1	-	-	S1	
2	13310-ZJ1-600	CRANKSHAFT COMP. (L=142.5) ..	1	1	-	1	QAC6, QAF, QAFP, QAFU, QDA1, QDE, QDE1, QDE6, QDF, QDF6, QXE4, QXF6, QYF	
	13310-ZJ1-840	CRANKSHAFT COMP. (L=139.5) ..	-	-	1	-	QZA, QZA1, QZA6, QZB, QZE, QZE4, QZE6, QZF, QZF1, QZF6, QZX4, Q1	
							QAD2, QAD2/A, QAF, QAF/A, QAF2, QAF2/A, QDE, QDE/A, QDF, QDF/A, QDF2, QDF2/A, QDF6, QDF6/A, QDW, QDW/A, QDX2, QDX2/A, QWF, QWF/A, QYF, QYF/A	
							QZA, QZA/A, QZA6, QZA6/A, QZB, QZB/A, QZB2, QZB2/A, QZE, QZE/A, QZE3, QZE3/A, QZE4, QZE4/A, QZE6, QZE6/A, QZF, QZF/A, QZF1, QZF1/A, QZF8, QZF8/A, QZX5, QZX5/A	
3	13310-ZJ1-670	CRANKSHAFT COMP. (L=163) (5/16-24UNF2BTAP)	1	1	-	1	VXE, VXEP, VXE1, VXE3, VXE4, VZA, VZA1, VZA4, V1	
	13310-ZJ1-860	CRANKSHAFT COMP. (L=160) (5/16-24UNF2BTAP)	-	-	1	-	VEP4, VEP4/A, VXE, VXE/A, VXE1, VXE1/A, VXE3, VXE3/A, VXE4, VXE4/A, VZA	
							VZA/A, VZA1, VZA1/A, VZA2, VZA2/A, VZE1, VZE1/A	
5	90745-ZE2-600	KEY, 6.3X6.3X43 .....	1	-	1	-	QDA1, QDE1, QDX2, QDX2/A, QWF, QWF/A, QZE3, QZE3/A, QZE4/A	
			1	-	-	-	QZF1	
			-	-	1	-	QZE4	
	90745-ZJ1-V10	.....	1	-	1	-	QZX4, QZX5, QZX5/A	
	90741-805-000	KEY, 7X7X33 .....	-	(1)	-	-	S1	
	90741-889-810	KEY, 7X7X33 (YELLOW) .....	-	(1)	-	-	S1	
	90745-ZE2-600	KEY, 6.3X6.3X43 .....	-	(1)	-	-	Q1	
6	90003-ZE3-600	BOLT, HEX., 3/8-24UNF (25MM) ..	1	-	-	-	QZF1	
			-	-	1	-	QWF, QWF/A, TXF2, TXF2/A	
7	90471-ZE3-000	WASHER, 10.5X40X4 .....	1	-	-	-	QZF1	
			-	-	1	-	QWF, QWF/A	
8	13310-ZJ1-850	CRANKSHAFT COMP. (L=156.5) ..	-	-	1	-	PZE, PZE/A	
9	13310-ZJ1-810	CRANKSHAFT COMP. (L=163.5) ..	-	-	1	-	TXF2, TXF2/A	



Ref. No.	Part No.	Description	Reqd. QTY				Serial No.	Parts catalogue code
			GX 610	GX 610	GX 610	GX 610		
			(1)	(2)	(3)			
10	13310-ZJ1-880	CRANKSHAFT COMP. (L=105.5) (M10X1.25)	1	-	1	-----	VD,VD/A,VDF2,VDF2/A,VXD,VXD/A	
11	90401-ZJ1-000	WASHER, CRANKSHAFT THRUST (38.5X54.0X1.0)	-	-	1	-----	PZE/A,QAD2,QAD2/A,QAF,QAF/A,QAF2/A,QDE/A,QDF/A,QDF2/A,QDF6/A,QDW/A,QDX2,QDX2/A,QWF/A,QYF/A,QZA/A,QZA6/A,QZB/A,QZB2/A,QZE/A,QZE3/A,QZE4/A,QZE6/A,QZF/A,QZF1/A,QZF8,QZF8/A,QZX5,QZX5/A,SWD,SWD/A,TFX2/A,VD/A,VDF2,VDF2/A,VEP4,VEP4/A,VXD/A,VXE/A,VXE1/A,VXE3/A,VXE4/A,VZA/A,VZA1/A,VZA2/A,VZE1/A,SWD,SWD/A	
12	13310-ZJ1-870	CRANKSHAFT COMP. (L=130.5)	..	-	1	-----	SWD,SWD/A	



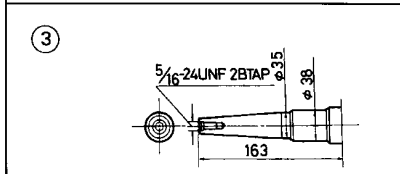
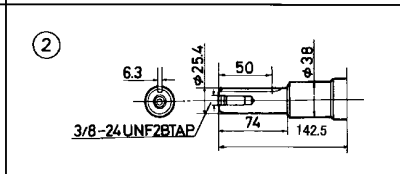
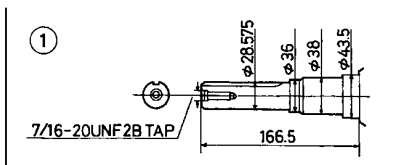
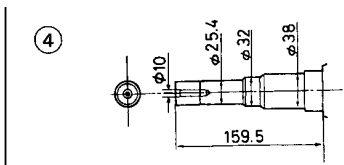
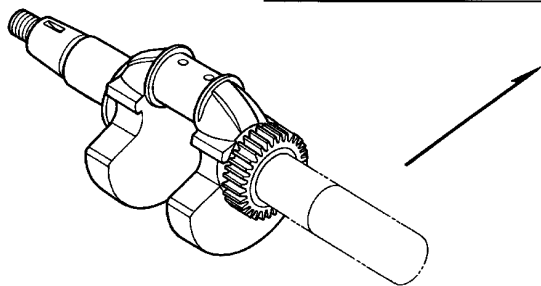


E-7-1

CRANKSHAFT (2)

E 4

FR.



ZJ00-E0701C

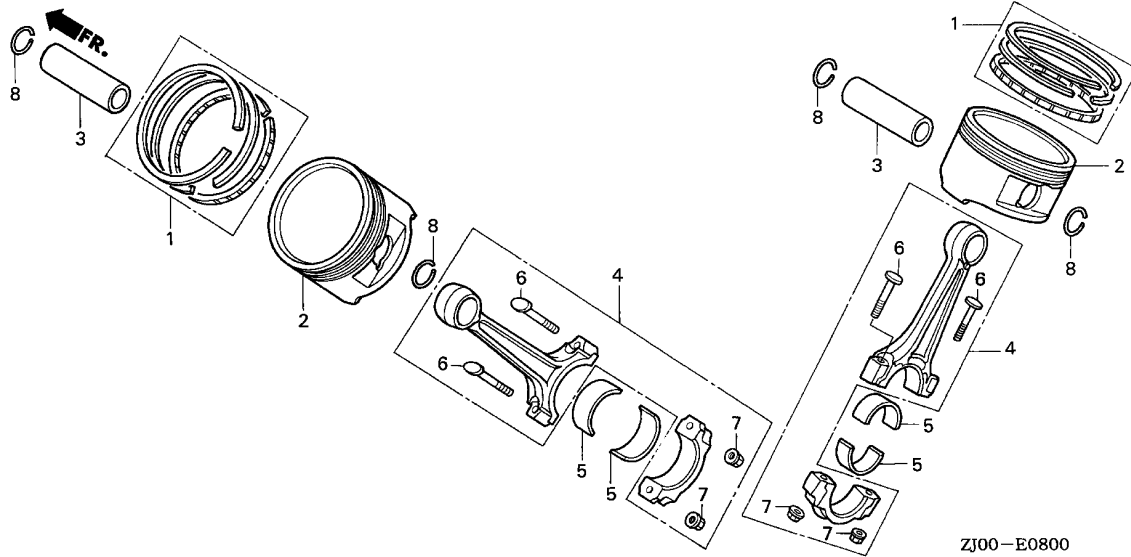
Ref. No.	L.O.N.	(Relative ref. Number)	Description	F.R.T.
1		(2,3,4)	1101F0 CRANKSHAFT .....	3.4

Ref. No.	Part No.	Description	Reqd. QTY				Serial No.	Parts catalogue code
			GX 610	GX 610	GX 610	GX 610		
			(1)	(2)	K1	(3)		
1	13310-ZJ0-U60	CRANKSHAFT COMP. (L=166.5) ..	1	-	-	-	----- TXF2	
2	13310-ZJ1-600	CRANKSHAFT COMP. (L=142.5) ..	1	-	-	-	----- QAF2,QDF2,QDW,QZD,QZD1	
3	13310-ZJ1-670	CRANKSHAFT COMP. (L=163) (5/16-24UNF2BTAP)	1	-	-	-	----- VXA3	
4	13310-ZJ1-650	CRANKSHAFT COMP. (L=159.5) ..	1	-	-	-	----- PZE	

E-8

PISTON(1)

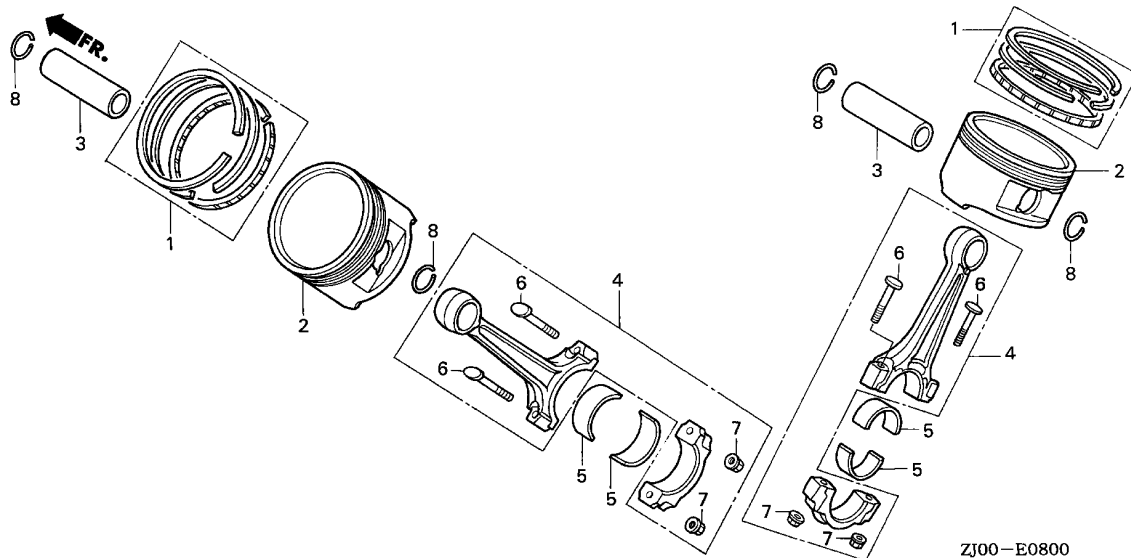
E 5



Ref. No.	L.O.N.	(Relative ref. Number) Description	F.R.T.
2		(1,3,4,5)	
1111R2		PISTON AND/OR RING SET AND/OR BEARING AND/OR ROD (1 CYLINDER) :LEFT BANK ..... .INCLUDES: Inspection/ Measurement/Cleaning	3.6
1111R3		PISTON AND/OR RING SET AND/OR BEARING AND/OR ROD (1 CYLINDER) :RIGHT BANK .... .INCLUDES: Inspection/ Measurement/Cleaning	3.6
1111R4		PISTON AND/OR RING SET AND/OR BEARING AND/OR ROD (ALL CYLINDERS) :BOTH BANKS . .INCLUDES: Inspection/ Measurement/Cleaning	4.0

Ref. No.	Part No.	Description	Reqd. QTY				Serial No.	Parts catalogue code
			GX 610	GX 610	GX 610 K1	GX 610		
1	13010-ZE8-601	RING SET, PISTON (STD.) (NIPPON)	2	2	-	2		
	13010-ZE8-602	RING SET, PISTON (STD.) (TEIKOKU)	2	2	-	2		
	13011-ZE8-601	RING SET, PISTON (0.25) (NIPPON)	(2)	(2)	-	(2)		
	13011-ZE8-602	RING SET, PISTON (0.25) (TEIKOKU)	(2)	(2)	-	(2)		
	13012-ZE8-601	RING SET, PISTON (0.50) (NIPPON)	(2)	(2)	-	(2)		
	13012-ZE8-602	RING SET, PISTON (0.50) (TEIKOKU)	(2)	(2)	-	(2)		
	13013-ZE8-601	RING SET, PISTON (0.75) (NIPPON)	(2)	(2)	-	(2)		
	13013-ZE8-602	RING SET, PISTON (0.75) (TEIKOKU)	(2)	(2)	-	(2)		
2	13101-ZJ1-000	PISTON (STD.) .....	2	2	-	2		
	13102-ZJ1-000	PISTON (0.25) .....	(2)	(2)	-	(2)		
	13103-ZJ1-000	PISTON (0.50) .....	(2)	(2)	-	(2)		
	13104-ZJ1-000	PISTON (0.75) .....	(2)	(2)	-	(2)		
3	13111-ZJ1-000	PIN, PISTON .....	2	2	-	2		
4	13210-ZJ1-000	ROD SET, CONNECTING .....	2	2	-	2		
5	13211-ZJ1-003	BEARING A, CONNECTING ROD (BLUE)	4	4	-	4		
	13212-ZJ1-003	BEARING B, CONNECTING ROD (BLACK)	4	4	-	4		
	13213-ZJ1-003	BEARING C, CONNECTING ROD (BROWN)	4	4	-	4		

2



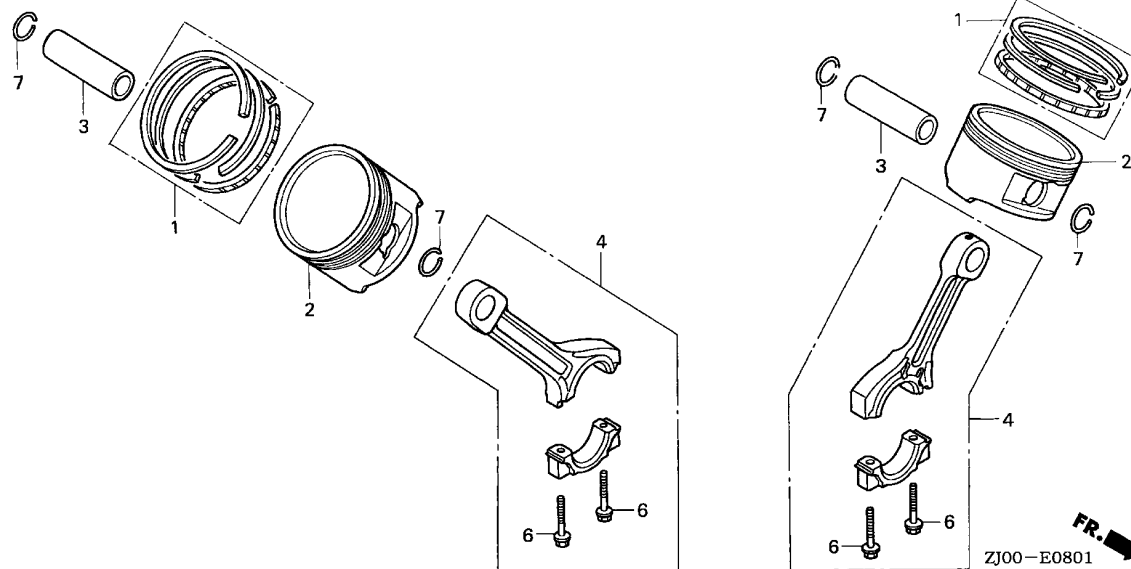
2

Ref. No.	Part No.	Description	Reqd. QTY				Serial No.	Parts catalogue code
			GX 610 (1)	GX 610 (2)	GX 610 K1 (3)	GX 610 (3)		
(5)	13214-ZJ1-003	BEARING D, CONNECTING ROD (GREEN)	4	4	-	4		
	13215-ZJ1-003	BEARING E, CONNECTING ROD (YELLOW)	4	4	-	4		
	13216-ZJ1-003	BEARING F, CONNECTING ROD (PINK)	4	4	-	4		
	13217-ZJ1-003	BEARING G, CONNECTING ROD (RED)	4	4	-	4		
6	13213-ML0-000	BOLT, CONNECTING ROD .....	4	4	-	4		
7	13215-KM3-000	NUT, CONNECTING ROD .....	4	4	-	4		
8	90551-ZE1-000	CLIP, PISTON PIN, 18MM .....	4	-	-	-		
	94601-18000	.....	4	-	-	-	VD, VXD	
						1019582	PZE, QAC6, QAF, QAF2, QDA1, QDE, QDE1, QDE6, QDF, QDF6, QDW, QXE4, QXF6, QYF, QZA, QZA1, QZB, QZD, QZD1, QZE, QZE4, QZE6, QZF, QZF6, QZX4, TXF2, VXA3, VXE, VXE1, VXE4, VZA, VZA1, VZA4	
	90551-ZE1-000	.....	4	-	-	-	QDF2, QZA6, QZF1, VXE3	
			4	-	-	1019583	PZE, QAC6, QAF, QAF2, QDA1, QDE, QDE1, QDE6, QDF, QDF6, QDW, QXE4, QXF6, QYF, QZA, QZA1, QZB, QZD, QZD1, QZE, QZE4, QZE6, QZF, QZF6, QZX4, TXF2, VXA3, VXE, VXE1, VXE4, VZA, VZA1, VZA4	
			-	-	-	4		

E-8-1

PISTON(2)

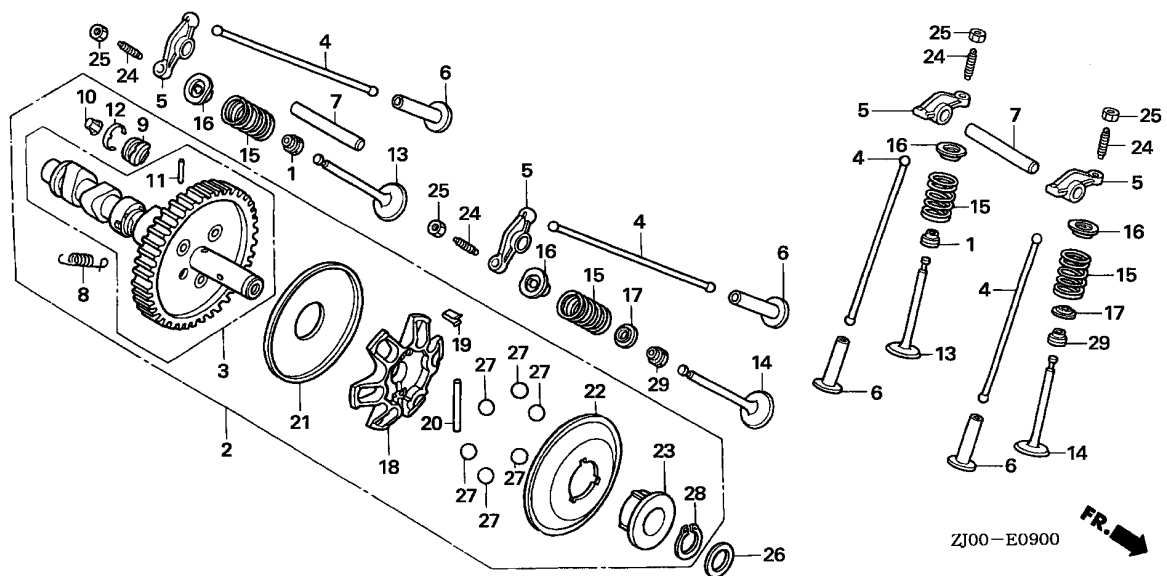
E 7



Ref. No.	L.O.N.	(Relative ref. Number) Description	F.R.T.
2		(1,3,4)	
1111R2		PISTON AND/OR RING SET AND/OR BEARING AND/OR ROD (1 CYLINDER) :LEFT BANK ..... .INCLUDES: Inspection/ Measurement/Cleaning	3.6
1111R3		PISTON AND/OR RING SET AND/OR BEARING AND/OR ROD (1 CYLINDER) :RIGHT BANK .... .INCLUDES: Inspection/ Measurement/Cleaning	3.6
1111R4		PISTON AND/OR RING SET AND/OR BEARING AND/OR ROD (ALL CYLINDERS) :BOTH BANKS . .INCLUDES: Inspection/ Measurement/Cleaning	4.0

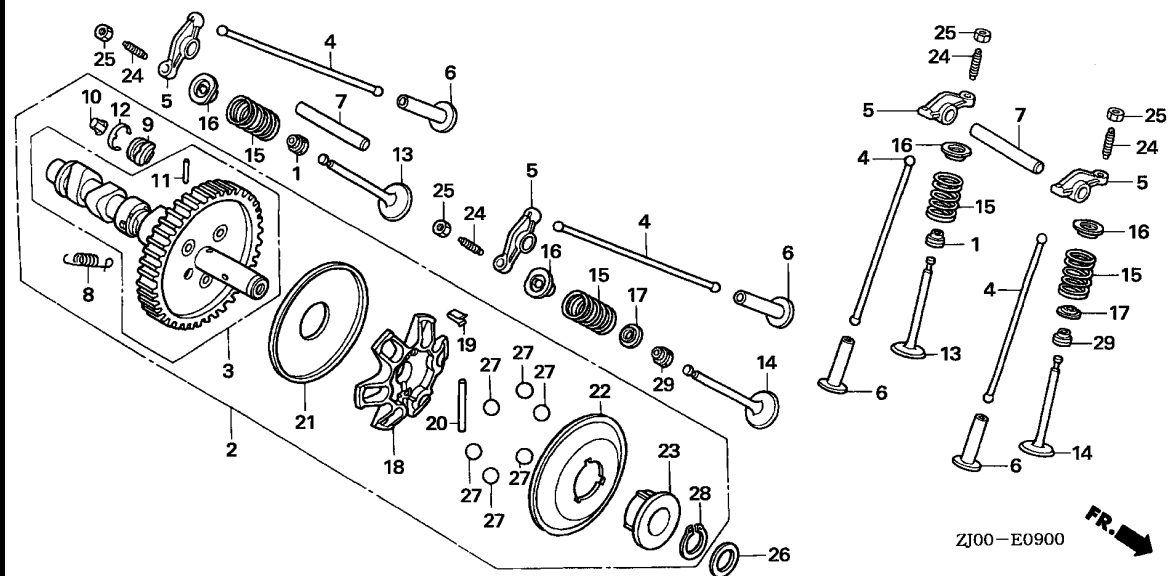
Ref. No.	Part No.	Description	Reqd. QTY				Serial No.	Parts catalogue code
			GX 610	GX 610	GX 610 K1	GX 610		
1	13010-ZJ1-841	RING SET, PISTON (STD.) (NIPPON)	-	-	2	-		
	13011-ZJ1-841	RING SET, PISTON (0.25) (NIPPON)	-	-	(2)	-		
	13012-ZJ1-841	RING SET, PISTON (0.50) (NIPPON)	-	-	(2)	-		
	13013-ZJ1-841	RING SET, PISTON (0.75) (NIPPON)	-	-	(2)	-		
2	13101-ZJ1-840	PISTON (STD.) .....	-	-	2	-		
	13102-ZJ1-840	PISTON (0.25) .....	-	-	(2)	-		
	13103-ZJ1-840	PISTON (0.50) .....	-	-	(2)	-		
	13104-ZJ1-840	PISTON (0.75) .....	-	-	(2)	-		
3	13111-ZJ1-840	PIN, PISTON .....	-	-	2	-		
4	13200-ZJ1-841	ROD ASSY., CONNECTING .....	-	-	2	-		
6	90001-ZN1-000	BOLT, CONNECTING ROD, 6X37 ..	-	-	4	-		
7	94601-18000	CLIP, PISTON PIN, 18MM .....	-	-	4	-		
	90551-ZE1-000	.....	-	-	4	-	PZE,QAD2,QAF,QAF2,QDE,QDF,QDF2,QDF6,QDW,QDX2,QWF,QYF,QZA,QZA6,QZB,QZB2,QZE,QZE3,QZE4,QZE6,QZF,QZF1,QZF8,QZX5,SWD,TF2,VD,VDF2,VEP4,VXD,VXE,VXE1,VXE3,VXE4,VZA,VZA1,VZA2,VZE1,PZE/A,QAD2/A,QAF/A,QAF2/A,QDE/A,QDF/A,QDF2/A,QDF6/A,QDW/A,QDX2/A,QWF/A,QYF/A,QZA/A,QZA6/A,QZB/A,QZB2/A,QZE/A,QZE3/A,QZE4/A,QZE6/A,QZF/A,QZF1/A,QZF8/A,QZX5/A,SWD/A,TF2/A,VD/A,VDF2/A,VEP4/A,VXD/A,VXE/A,VXE1/A,VXE3/A,VXE4/A,VZA/A,VZA1/A,VZA2/A,VZE1/A	

2



Ref. No.	L.O.N.	(Relative ref. Number) Description	F.R.T.
1	1111U9	SEAL, INTAKE VALVE STEM(ONE) :LEFT BANK ..... .INCLUDES: Valve clearance adjustment	1.2
	1111U9B	.Replace one head(intake and exhaust all) add .....	0.1
	1111U9C	.Replace both heads (intake and exhaust all) add .....	0.3
	1111V0	SEAL, INTAKE VALVE STEM(ONE) :RIGHT BANK ..... .INCLUDES: Valve clearance adjustment	1.2
	1111V0B	.Replace one head(intake and exhaust all) add .....	0.1
	1111V0C	.Replace both heads (intake and exhaust all) add .....	0.3
2	1111P0	CAMSHAFT ASSEMBLY .....	1.2
3	1111C2	CAMSHAFT .....	1.3
4	1111X5	ROD, PUSH(ONE) :LEFT BANK INTAKE ..... .INCLUDES: Valve clearance adjustment	0.3
	1111X5B	.Replace one head(intake and exhaust all) add .....	0.1

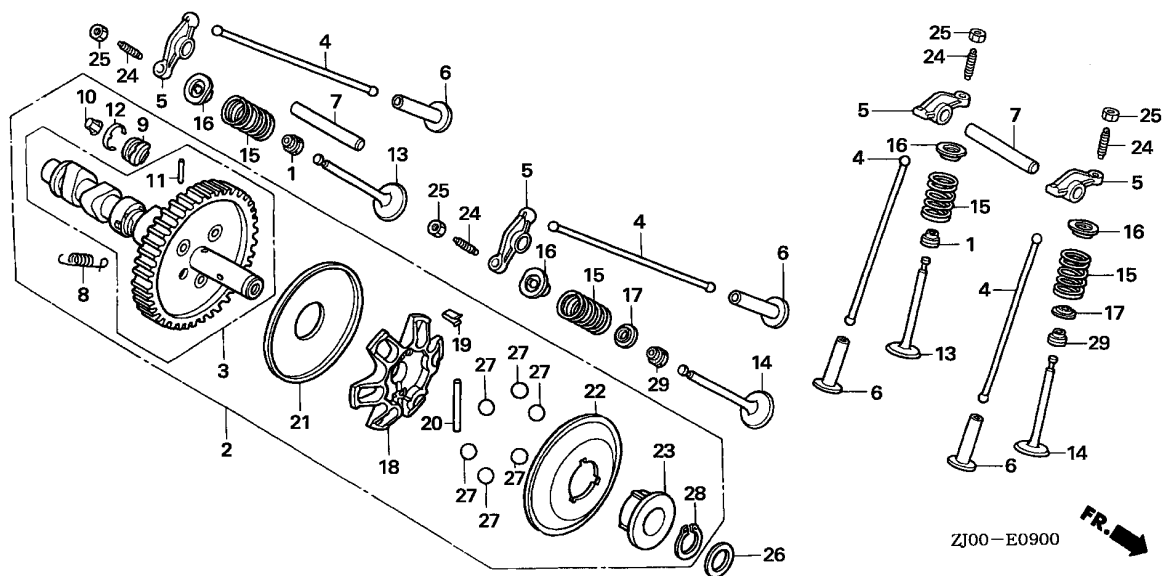
Ref. No.	Part No.	Description	Reqd. QTY				Serial No.	Parts catalogue code
			GX 610	GX 610	GX 610 K1	GX 610		
1	12209-ZE8-003	SEAL, VALVE STEM .....	2	2	-	2		
2	14100-ZJ1-801	CAMSHAFT ASSY. ....	1	1	-	1		
3	14110-ZJ1-801	CAMSHAFT COMP. ....	1	1	-	1		
4	14410-ZJ1-000	ROD, PUSH .....	4	4	-	4		
5	14431-ZJ1-000	ARM, VALVE ROCKER .....	4	4	-	4		
6	14441-ZE2-000	LIFTER, VALVE .....	4	4	-	4		
7	14461-ZJ1-000	SHAFT, ROCKER ARM .....	2	2	-	2		
8	14568-ZJ1-800	SPRING, WEIGHT RETURN .....	1	1	-	1		
9	14569-ZJ1-801	HOLDER, DECOMPER PIN .....	2	2	-	2		
10	14576-ZJ1-800	PIN A, DECOMPER (7.85) .....	2	-	-	-	QAF,QDE,QDF,QYF,QZA,QZB,QZE,QZF,VXE,VZA	
	14577-ZJ1-800	PIN B, DECOMPER (7.95) .....	2	-	-	-	QAF,QDE,QDF,QYF,QZA,QZB,QZE,QZF,VXE,VZA	
	14578-ZJ1-800	PIN C, DECOMPER (8.05) .....	2	-	-	-	QAF,QDE,QDF,QYF,QZA,QZB,QZE,QZF,VXE,VZA	
	14579-ZJ1-800	PIN D, DECOMPER (8.15) .....	2	-	-	-	QAF,QDE,QDF,QYF,QZA,QZB,QZE,QZF,VXE,VZA	
	14580-ZJ1-800	PIN E, DECOMPER (8.25) .....	2	-	-	-	QAF,QDE,QDF,QYF,QZA,QZB,QZE,QZF,VXE,VZA	
	14576-ZJ1-801	PIN A, DECOMPER (7.85) .....	2	-	-	-	PZE,QAC6,QAF2,QDA1,QDE1,QDE6,QDF2,QDF6,QDW,QXE4,QXF6,QZA1,QZA6,QZD,QZD1,QZE4,QZE6,QZF1,QZF6,QZX4,TFX2,VD,VXA3,VXD,VXE1,VXE3,VXE4,VZA1,VZA4	
	14577-ZJ1-801	PIN B, DECOMPER (7.95) .....	2	-	-	2	PZE,QAC6,QAF2,QDA1,QDE1,QDE6,QDF2,QDF6,QDW,QXE4,QXF6,QZA1,QZA6,QZD,QZD1,QZE4,QZE6,QZF1,QZF6,QZX4,TFX2,VD,VXA3,VXD,VXE1,VXE3,VXE4,VZA1,VZA4	
			-	-	-	2		



Ref. No.	L.O.N.	(Relative ref. Number) Description	F.R.T.
+ 4	1111X5C	.Replace both heads (intake and exhaust all) add	0.3
	1111X6	ROD, PUSH(ONE) :RIGHT BANK INTAKE .....	0.3
		.INCLUDES: Valve clearance adjustment	
	1111X6B	.Replace one head(intake and exhaust all) add .....	0.1
	1111X6C	.Replace both heads (intake and exhaust all) add	0.3
	1111X7	ROD, PUSH(ONE) :LEFT BANK EXHAUST .....	0.3
		.INCLUDES: Valve clearance adjustment	
	1111X7B	.Replace one head(intake and exhaust all) add .....	0.1
	1111X7C	.Replace both heads (intake and exhaust all) add	0.3
	1111X8	ROD, PUSH(ONE) :RIGHT BANK EXHAUST .....	0.3
		.INCLUDES: Valve clearance adjustment	
+ 1	1111X8B	.Replace one head(intake and exhaust all) add .....	0.1

Ref. No.	Part No.	Description	Reqd. QTY				Serial No.	Parts catalogue code
			GX 610 (1)	GX 610 (2)	GX 610 K1 (3)	GX 610 (4)		
10)	14578-ZJ1-801	PIN C, DECOMPER (8.05) .....	2	-	-	-	PZE,QAC6,QAF2,QDA1,QDE1,QDE6,QDF2,QDF6,QDW,QXE4,QXF6,QZA1,QZA6,QZD,QZD1,QZE4,QZE6,QZF1,QZF6,QZX4,TFX2,VD,VXA3,VXD,VXE1,VXE3,VXE4,VZA1,VZA4	
	14579-ZJ1-801	PIN D, DECOMPER (8.15) .....	2	-	-	-	PZE,QAC6,QAF2,QDA1,QDE1,QDE6,QDF2,QDF6,QDW,QXE4,QXF6,QZA1,QZA6,QZD,QZD1,QZE4,QZE6,QZF1,QZF6,QZX4,TFX2,VD,VXA3,VXD,VXE1,VXE3,VXE4,VZA1,VZA4	
	14580-ZJ1-801	PIN E, DECOMPER (8.25) .....	2	-	-	-	PZE,QAC6,QAF2,QDA1,QDE1,QDE6,QDF2,QDF6,QDW,QXE4,QXF6,QZA1,QZA6,QZD,QZD1,QZE4,QZE6,QZF1,QZF6,QZX4,TFX2,VD,VXA3,VXD,VXE1,VXE3,VXE4,VZA1,VZA4	
			-	-	-	-		
11	14581-ZJ1-801	ROD, DECOMPER .....	1	1	-	1		
12	14586-ZJ1-800	SPRING, DECOMPER PIN HOLDER ..	2	2	-	2		
13	14711-ZJ1-000	VALVE, IN. ....	2	2	-	-		
	14711-ZJ1-800	.....	-	-	-	2		
14	14721-ZJ1-000	VALVE, EX. ....	2	2	-	-		
	14721-ZJ1-800	VALVE, EX. (STELLITE) .....	-	-	-	2		
15	14751-ZE2-003	SPRING, VALVE .....	4	4	-	4		
16	14771-ZE2-000	RETAINER, IN. VALVE SPRING ..	4	4	-	4		
17	14775-ZE2-010	SEAT, VALVE SPRING .....	2	2	-	2		
18	16512-ZJ1-000	HOLDER, GOVERNOR WEIGHT .....	1	1	-	1		
19	16522-ZJ1-000	PLATE, GOVERNOR WEIGHT HOLDER	1	1	-	1		
20	16523-ZJ1-000	PIN, GOVERNOR WEIGHT HOLDER ..	1	1	-	1		
21	16524-ZJ1-000	PLATE, GOVERNOR BOTTOM .....	1	1	-	1		

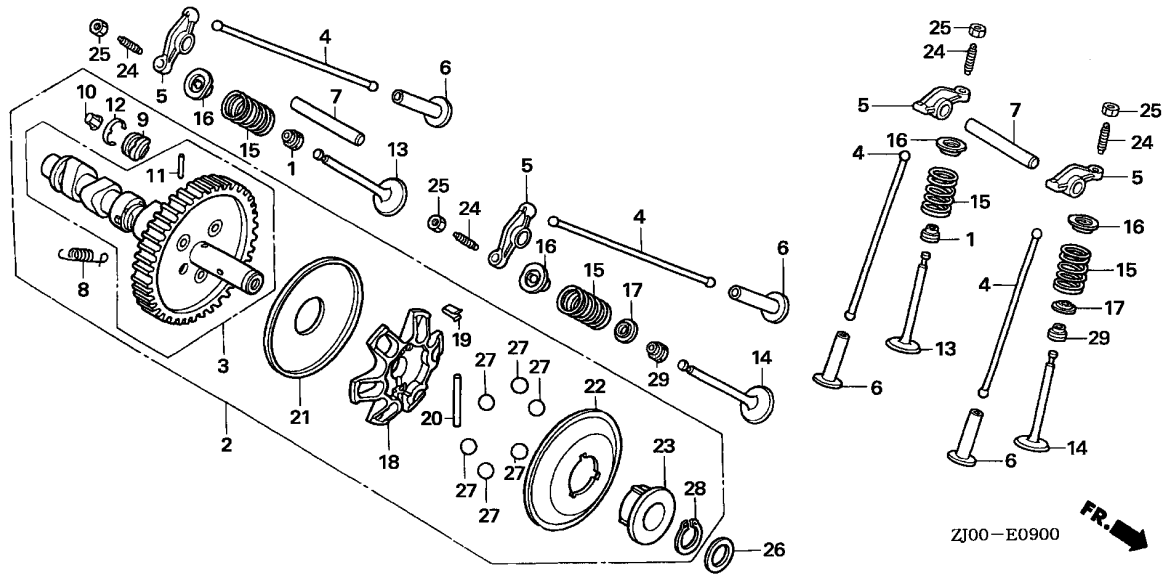




Ref. No.	L.O.N.	(Relative ref. Number) Description	F.R.T.
+ 4	1111X8C	.Replace both heads (intake and exhaust all) add (7)	0.3
5	1111T1	ARM, ROCKER :LEFT BANK INTAKE .INCLUDES: Valve clearance adjustment	0.3
	1111T1B	.Replace both heads (intake and exhaust all) add	0.3
	1111U3	ARM, ROCKER :LEFT BANK EXHAUST .INCLUDES: Valve clearance adjustment	0.3
	1111U3B	.Replace both heads (intake and exhaust all) add	0.3
	1111T2	ARM, ROCKER :RIGHT BANK INTAKE .INCLUDES: Valve clearance adjustment	0.3
	1111T2B	.Replace both heads (intake and exhaust all) add	0.3
	1111U4	ARM, ROCKER :RIGHT BANK EXHAUST ..... .INCLUDES: Valve clearance adjustment	0.3
	1111U4B	.Replace both heads (intake and exhaust all) add	0.3
+ 6	1111L9	LIFTER, VALVE :INTAKE .....	1.2

ZJ00-E0900 FR. →

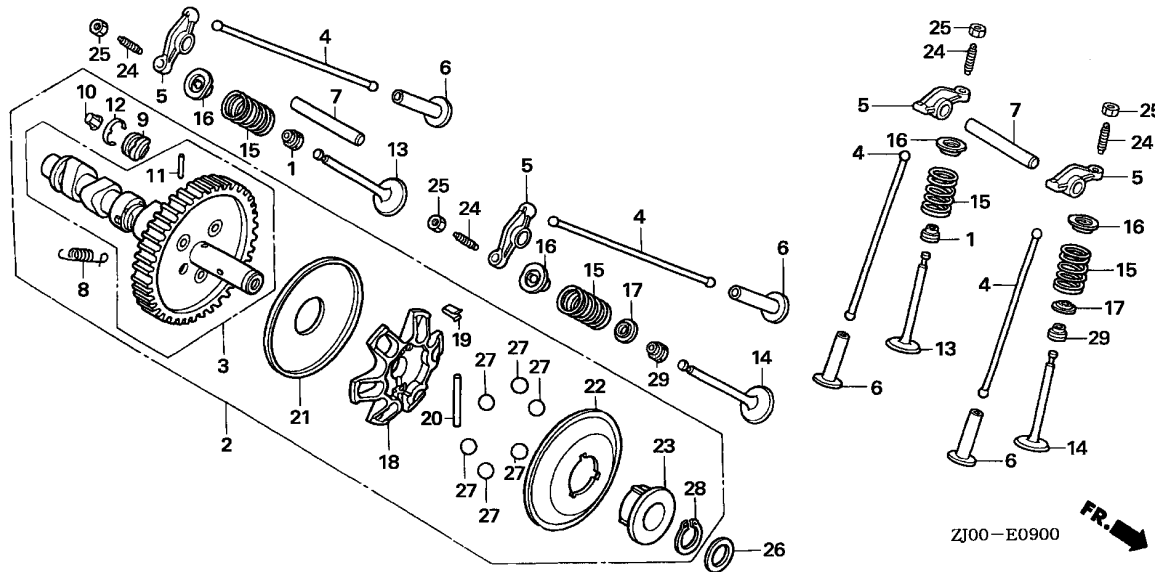
Ref. No.	Part No.	Description	Reqd. QTY				Serial No.	Parts catalogue code
			GX 610 (1)	GX 610 (2)	GX 610 K1 (3)	GX 610 (4)		
22	16529-ZJ1-000	PLATE, GOVERNOR SLIDER .....	1	1	-	1		
23	16531-ZJ1-003	SLIDER, GOVERNOR .....	1	1	-	1		
24	90012-415-000	SCREW, TAPPET ADJUSTING .....	4	4	-	4		
25	90206-250-000	NUT, TAPPET ADJUSTING .....	4	4	-	4		
26	90446-357-000	WASHER, THRUST, 17.2MM .....	1	1	-	1		
27	90901-ZJ1-003	BALL, STEEL, 18 .....	6	6	-	6		
28	94510-17000	CIRCLIP, EXTERNAL, 17MM .....	1	1	-	1		
29	12209-ZE8-003	SEAL, VALVE STEM .....	2	-	-	-	1040480 ----- PZE,QAF,QAF2,QDE,QDE1,QDF,QDF2,QDW,QXE4,QXF6,QYF,QZA,QZA1,QZA6,QZB,QZD,QZD1,QZE,QZE4,QZE6,QZF,QZF1,QZX4,TXF2,VD,VXD,VXE,VXE1,VXE3,VXE4,VZA,VZA1,VZA4	
			-	-	-	2	1000198 ----- QAFP,VXEP	



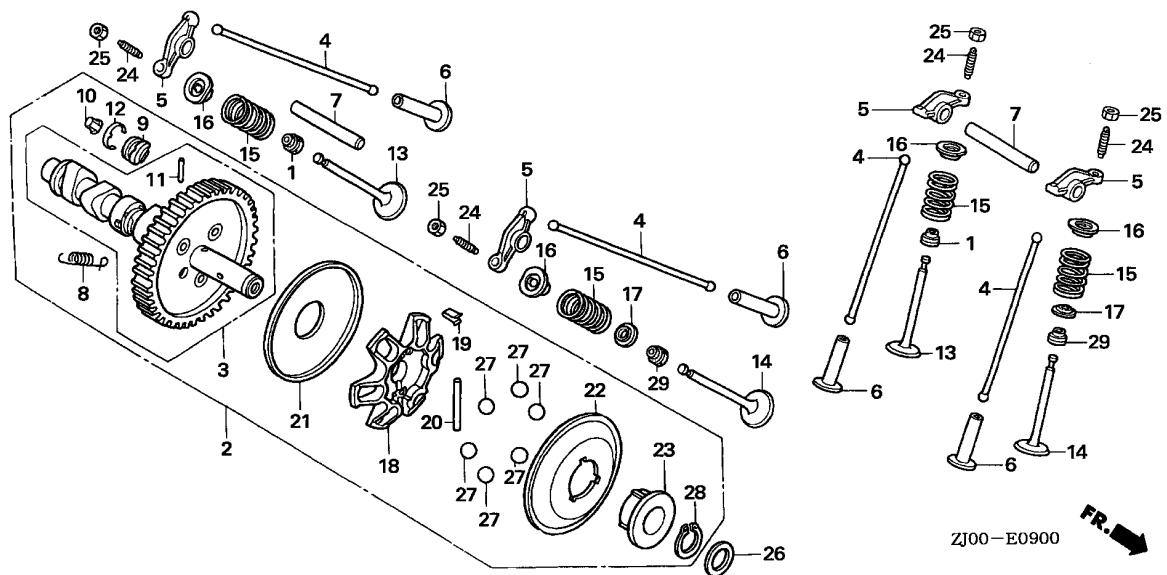
Ref. No.	L.O.N.	(Relative ref. Number) Description	F.R.T.
+ 6		.NOTE: Same time for two units	
1111M0		LIFTER, VALVE :EXHAUST .....	1.2
13		.NOTE: Same time for two units	
1111T9		VALVE, INTAKE(ONE) :LEFT BANK	1.3
		.INCLUDES: Valve clearance adjustment and reface	
1111T9B		.Replace one head(intake and exhaust all) add .....	0.1
1111T9C		.Replace both heads (intake and exhaust all) add .....	0.3
1111U1		VALVE, INTAKE(ONE) :RIGHT BANK	1.3
		.INCLUDES: Valve clearance adjustment and reface	
1111U1B		.Replace one head(intake and exhaust all) add .....	0.1
1111U1C		.Replace both heads (intake and exhaust all) add .....	0.3
14		1111U0 VALVE, EXHAUST(ONE) :LEFT BANK	1.3
		.INCLUDES: Valve clearance adjustment and reface	
1111U0B		.Replace one head(intake and exhaust all) add .....	0.1
1111U0C		.Replace both heads (intake and exhaust all) add .....	0.3





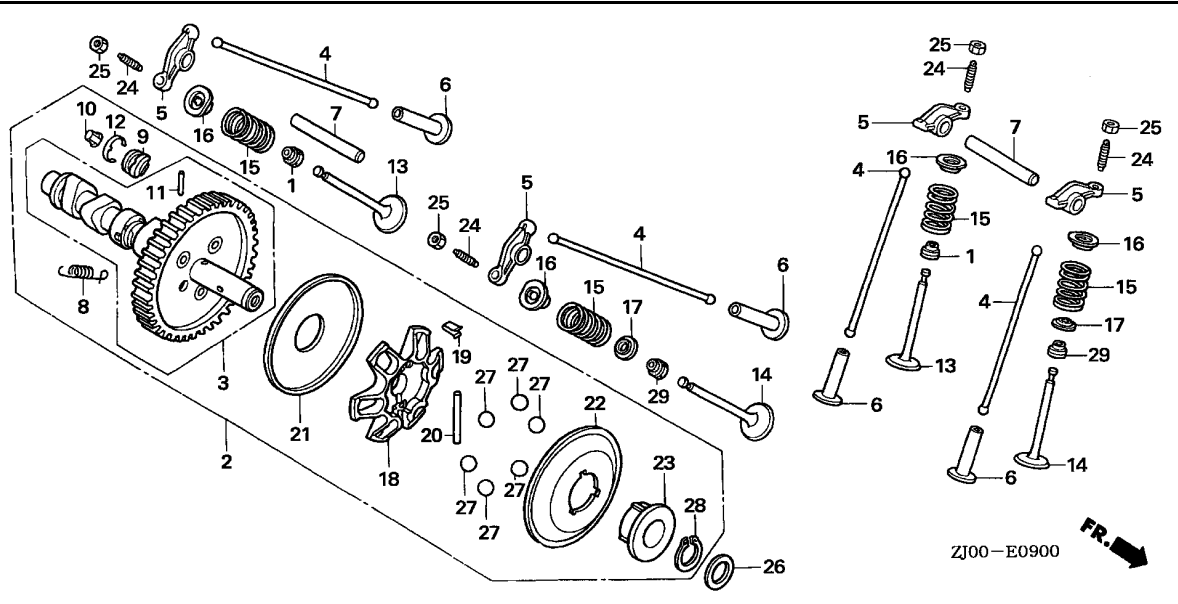


Ref. No.	L.O.N.	(Relative ref. Number) Description	F.R.T.
+14	1111U2	VALVE, EXHAUST(ONE) :RIGHT BANK .....	1.3
		.INCLUDES: Valve clearance adjustment and reface	
	1111U2B	.Replace one head(intake and exhaust all) add .....	0.1
	1111U2C	.Replace both heads (intake and exhaust all) add	0.3
15	1111V9	SPRING, VALVE(ONE) :INTAKE LEFT BANK .....	1.2
		.INCLUDES: Valve clearance adjustment	
	1111V9A	.Replace one head(intake and exhaust all) add .....	0.1
	1111V9B	.Replace both heads (intake and exhaust all) add	0.3
	1111W0	SPRING, VALVE(ONE) :INTAKE RIGHT BANK .....	1.2
		.INCLUDES: Valve clearance adjustment	
	1111W0A	.Replace one head(intake and exhaust all) add .....	0.1
	1111W0B	.Replace both heads (intake and exhaust all) add	0.3



Ref. No.	L.O.N.	(Relative ref. Number) Description	F.R.T.
+15	1111W1	SPRING, VALVE(ONE) :EXHAUST LEFT BANK .....	1.2
		.INCLUDES: Valve clearance adjustment	
	1111W1A	.Replace one head(intake and exhaust all) add .....	0.1
	1111W1B	.Replace both heads (intake and exhaust all) add .....	0.3
	1111W2	SPRING, VALVE(ONE) :EXHAUST RIGHT BANK .....	1.2
		.INCLUDES: Valve clearance adjustment	
	1111W2A	.Replace one head(intake and exhaust all) add .....	0.1
	1111W2B	.Replace both heads (intake and exhaust all) add .....	0.3
	18	(21,22,27)	
	1161A7	HOLDER, GOVERNOR WEIGHT .....	1.3
	29	1111V1 SEAL, EXHAUST VALVE STEM(ONE) :LEFT BANK .....	1.2
		.INCLUDES: Valve clearance adjustment	
	1111V1B	.Replace one head(intake and exhaust all) add .....	0.1



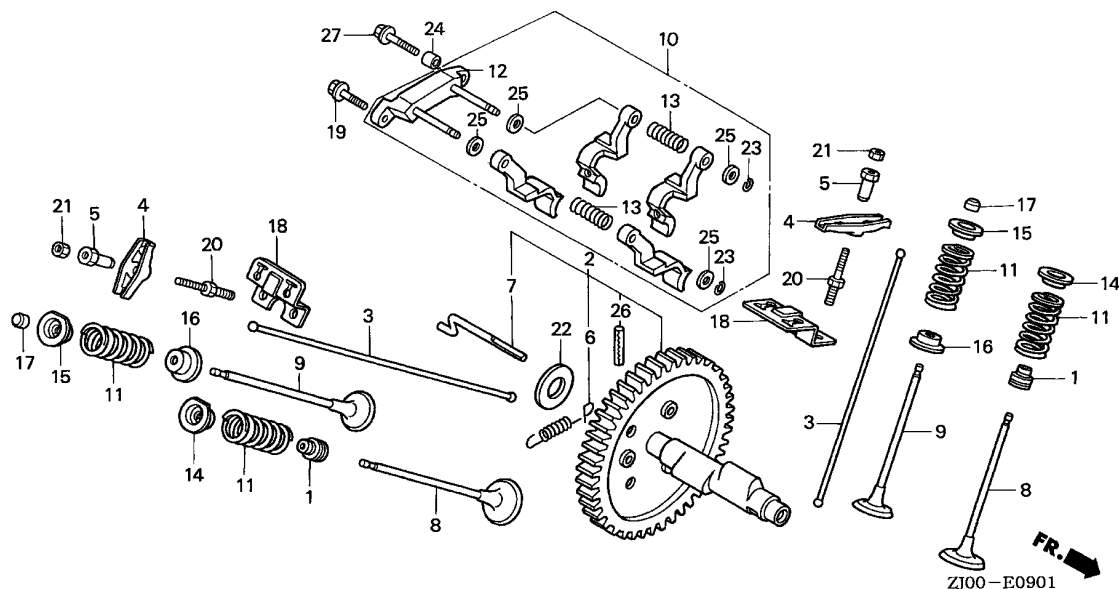


Ref. No.	L.O.N.	(Relative ref. Number) Description	F.R.T.
+29	1111V1C	.Replace both heads (intake and exhaust all) add	0.3
	1111V2	SEAL, EXHAUST VALVE STEM(ONE) :RIGHT BANK .....	1.2
		.INCLUDES: Valve clearance adjustment	
	1111V2B	.Replace one head(intake and exhaust all) add .....	0.1
	1111V2C	.Replace both heads (intake and exhaust all) add	0.3

E-9-1

CAMSHAFT(2)

E15



Ref. No.	L.O.N.	(Relative ref. Number) Description	F.R.T.
1	1111U9	SEAL, INTAKE VALVE STEM(ONE) :LEFT BANK .....	1.2
		.INCLUDES: Valve clearance adjustment	
	1111U9C	.Replace both heads (intake and exhaust all) add	0.1
	1111V0	SEAL, INTAKE VALVE STEM(ONE) :RIGHT BANK .....	1.2
		.INCLUDES: Valve clearance adjustment	
	1111V0C	.Replace both heads (intake and exhaust all) add	0.1
2	1111C2	CAMSHAFT .....	1.2
		.INCLUDES: Valve clearance adjustment	
3	1111X5	ROD, PUSH(ONE) :LEFT BANK INTAKE .....	0.3
		.INCLUDES: Valve clearance adjustment	
	1111X5B	.Replace one head(intake and exhaust all) add .....	0.1
	1111X5C	.Replace both heads (intake and exhaust all) add	0.3
	1111X6	ROD, PUSH(ONE) :RIGHT BANK INTAKE .....	0.3

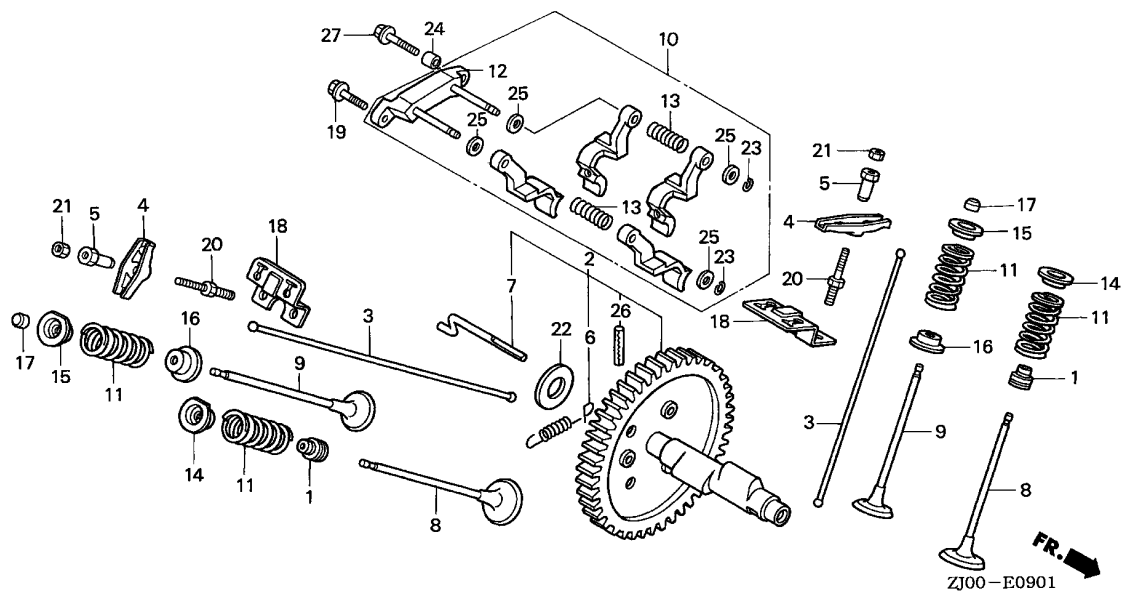
Ref. No.	Part No.	Description	Reqd. QTY				Serial No.	Parts catalogue code
			GX 610	GX 610	GX 610 K1	GX 610 (3)		
1	12209-ZE8-003	SEAL, VALVE STEM .....	-	-	2	-		
2	14100-ZJ1-842	CAMSHAFT ASSY. ....	-	-	1	-		
3	14410-ZJ1-840	ROD, PUSH .....	-	-	4	-		
4	14431-ZE2-010	ARM, VALVE ROCKER .....	-	-	4	-		
5	14451-ZE1-013	PIVOT, ROCKER ARM .....	-	-	4	-		
6	14568-ZJ1-841	SPRING, WEIGHT RETURN .....	-	-	1	-		
7	14576-ZJ1-840	PIN, DECOMPER .....	-	-	1	-		
8	14711-ZE3-000	VALVE, IN. ....	-	-	2	-		
9	14721-ZE3-000	VALVE, EX. ....	-	-	2	-		
10	14730-ZJ1-841	LIFTER ASSY., VALVE .....	-	-	1	-		
11	14751-ZE2-003	SPRING, VALVE .....	-	-	4	-		
12	14760-ZJ1-840	SHAFT COMP., VALVE LIFTER ...	-	-	1	-		
13	14764-ZJ1-840	SPRING, VALVE LIFTER .....	-	-	2	-		
14	14771-ZE2-000	RETAINER, IN. VALVE SPRING ..	-	-	2	-		
15	14773-ZE2-000	RETAINER, EX. VALVE SPRING ..	-	-	2	-		
16	14775-ZE2-010	SEAT, VALVE SPRING .....	-	-	2	-		
17	14781-ZE2-000	ROTATOR, VALVE .....	-	-	2	-		
18	14791-ZE2-010	PLATE, PUSH ROD GUIDE .....	-	-	2	-		
19	90005-896-000	BOLT, FLANGE, 5X16 .....	-	-	1	-		
20	90012-ZE0-010	BOLT, PIVOT, 8MM .....	-	-	4	-		
21	90206-ZE1-000	NUT, PIVOT ADJUSTING .....	-	-	4	-		
22	90446-357-000	WASHER, THRUST, 17.2MM .....	-	-	1	-		
23	90602-ZE1-000	CLIP, GOVERNOR HOLDER .....	-	-	2	-		
24	90702-GB6-910	DOWEL PIN, 8X12 .....	-	-	1	-		



E-9-1

CAMSHAFT(2)

E16



Ref. No.	L.O.N.	(Relative ref. Number) Description	F.R.T.
+ 3		.INCLUDES: Valve clearance adjustment	
1111X6B		.Replace one head(intake and exhaust all) add .....	0.1
1111X6C		.Replace both heads (intake and exhaust all) add .....	0.3
1111X7		ROD, PUSH(ONE) :LEFT BANK EXHAUST .....	0.3
		.INCLUDES: Valve clearance adjustment	
1111X7B		.Replace one head(intake and exhaust all) add .....	0.1
1111X7C		.Replace both heads (intake and exhaust all) add .....	0.3
1111X8		ROD, PUSH(ONE) :RIGHT BANK EXHAUST .....	0.3
		.INCLUDES: Valve clearance adjustment	
1111X8B		.Replace one head(intake and exhaust all) add .....	0.1
1111X8C		.Replace both heads (intake and exhaust all) add .....	0.3
4 1111T1		ARM, ROCKER :LEFT BANK INTAKE .INCLUDES: Valve clearance adjustment	0.3

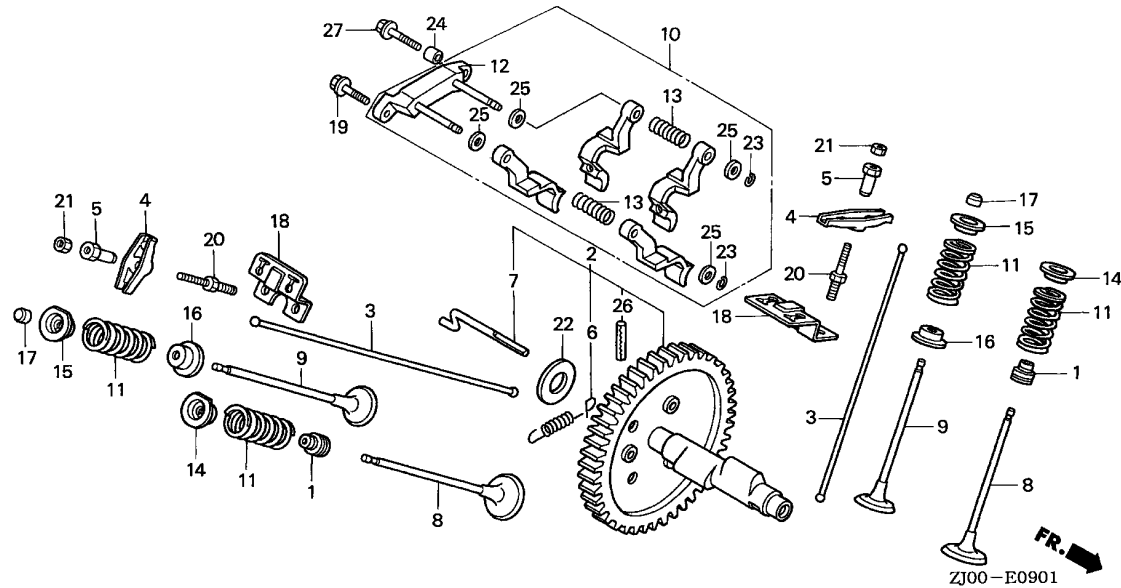
Ref. No.	Part No.	Description	Reqd. QTY				Serial No.	Parts catalogue code
			GX 610	GX 610	GX 610 K1	GX 610		
25	94101-06800	WASHER, PLAIN, 6MM .....	-	-	4	-		
26	94305-60282	PIN, SPRING, 6X28 .....	-	-	1	-		
27	95701-06025-00	BOLT, FLANGE, 6X25 .....	-	-	1	-		

2

E-9-1

CAMSHAFT(2)

F 1



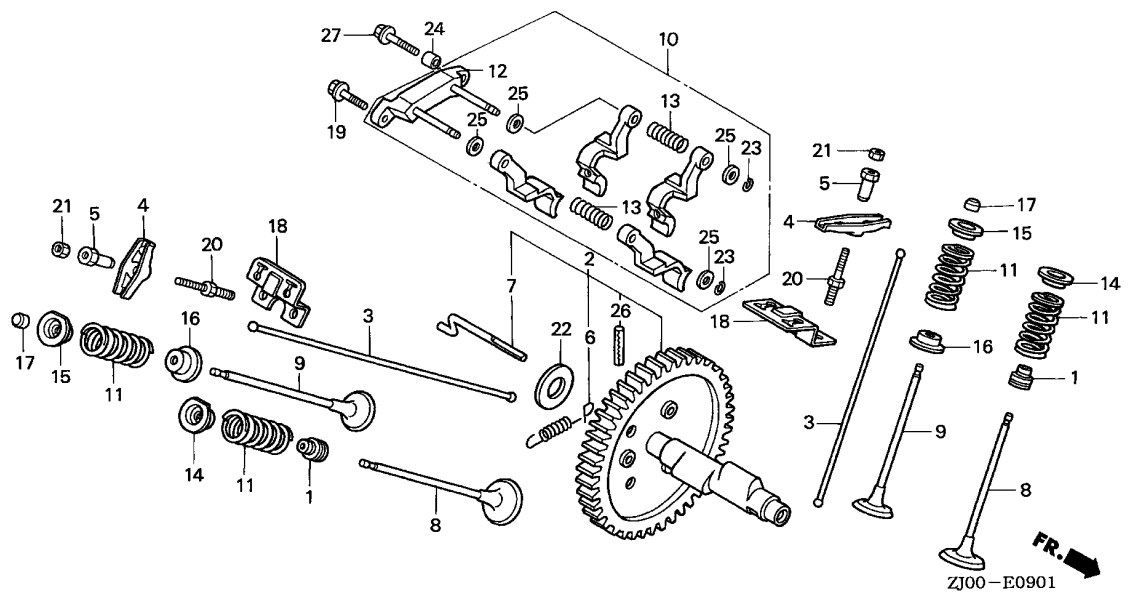
Ref. No.	L.O.N.	(Relative ref. Number) Description	F.R.T.
+ 4	1111T1B	.Replace both heads (intake and exhaust all) add	0.3
	1111U3	ARM, ROCKER :LEFT BANK EXHAUST .INCLUDES: Valve clearance adjustment	0.3
	1111U3B	.Replace both heads (intake and exhaust all) add	0.3
	1111T2	ARM, ROCKER :RIGHT BANK INTAKE .INCLUDES: Valve clearance adjustment	0.3
	1111T2B	.Replace both heads (intake and exhaust all) add	0.3
	1111U4	ARM, ROCKER :RIGHT BANK EXHAUST ..... .INCLUDES: Valve clearance adjustment	0.3
	1111U4B	.Replace both heads (intake and exhaust all) add	0.3
8	1111T9	VALVE, INTAKE(ONE) :LEFT BANK .INCLUDES: Valve clearance adjustment and reface	1.3
	1111T9B	.Replace one head(intake and exhaust all) add .....	0.1
	1111T9C	.Replace both heads (intake and exhaust all) add	0.3

2

E-9-1

CAMSHAFT(2)

F 2



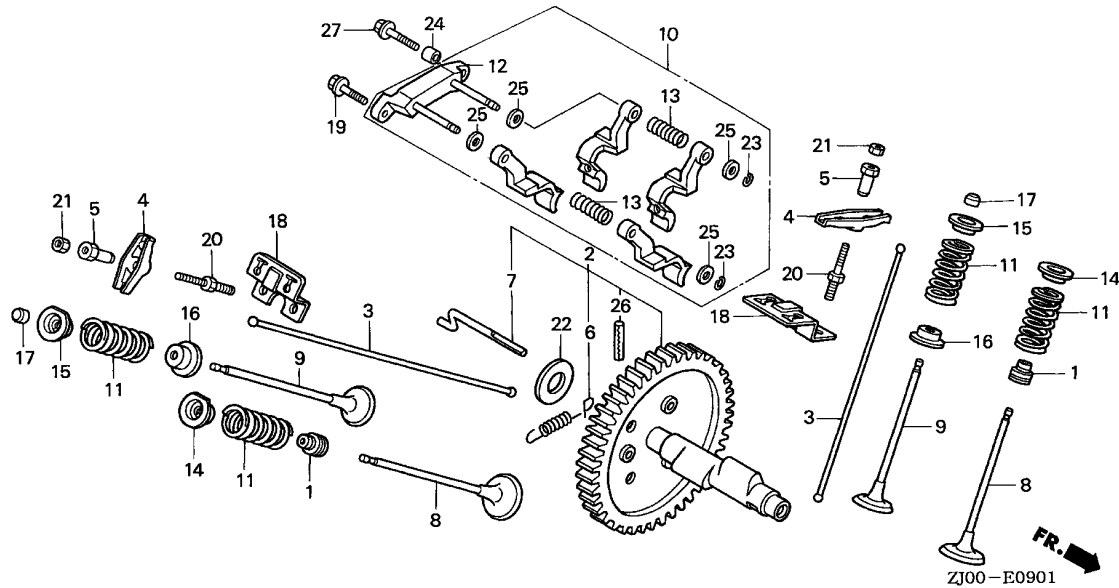
Ref. No.	L.O.N.	(Relative ref. Number) Description	F.R.T.
+ 8	1111U1	VALVE, INTAKE(ONE) :RIGHT BANK .INCLUDES: Valve clearance adjustment and reface	1.3
	1111U1B	.Replace one head(intake and exhaust all) add .....	0.1
	1111U1C	.Replace both heads (intake and exhaust all) add .....	0.3
9	1111U0	VALVE, EXHAUST(ONE) :LEFT BANK .INCLUDES: Valve clearance adjustment and reface	1.3
	1111U0B	.Replace one head(intake and exhaust all) add .....	0.1
	1111U0C	.Replace both heads (intake and exhaust all) add .....	0.3
	1111U2	VALVE, EXHAUST(ONE) :RIGHT BANK .INCLUDES: Valve clearance adjustment and reface	1.3
	1111U2B	.Replace one head(intake and exhaust all) add .....	0.1
	1111U2C	.Replace both heads (intake and exhaust all) add .....	0.3
10	1111F7	LIFTER, VALVE .....	0.4
11	1111V9	SPRING, VALVE(ONE) :INTAKE LEFT BANK .....	1.2

2

E-9-1

CAMSHAFT(2)

F 3



Ref. No.	L.O.N.	(Relative ref. Number) Description	F.R.T.
+11		.INCLUDES: Valve clearance adjustment	
1111V9A		.Replace one head(intake and exhaust all) add .....	0.1
1111V9B		.Replace both heads (intake and exhaust all) add .....	0.3
1111W0		SPRING, VALVE(ONE) :INTAKE RIGHT BANK .....	1.2
		.INCLUDES: Valve clearance adjustment	
1111W0A		.Replace one head(intake and exhaust all) add .....	0.1
1111W0B		.Replace both heads (intake and exhaust all) add .....	0.3
1111W1		SPRING, VALVE(ONE) :EXHAUST LEFT BANK .....	1.2
		.INCLUDES: Valve clearance adjustment	
1111W1A		.Replace one head(intake and exhaust all) add .....	0.1
1111W1B		.Replace both heads (intake and exhaust all) add .....	0.3
1111W2		SPRING, VALVE(ONE) :EXHAUST RIGHT BANK .....	1.2

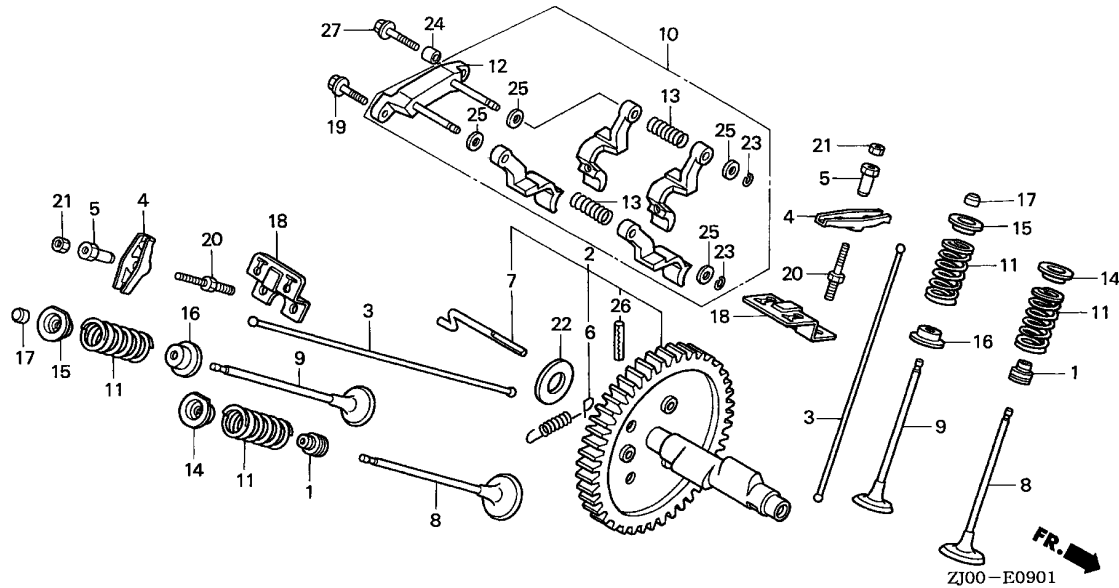
2



E-9-1

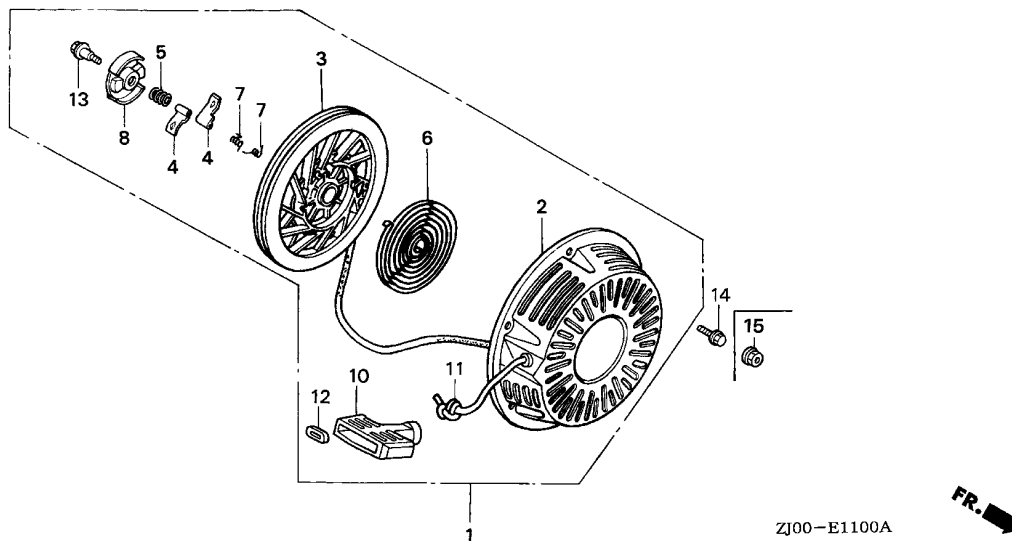
CAMSHAFT(2)

F 4



Ref. No.	L.O.N.	(Relative ref. Number) Description	F.R.T.
+11		.INCLUDES: Valve clearance adjustment	
1111W2A		.Replace one head(intake and exhaust all) add .....	0.1
1111W2B		.Replace both heads (intake and exhaust all) add .....	0.3
12	1111P2	SHAFT, VALVE LIFTER .....	0.4
17	1111X9	ROTATOR, VALVE :LEFT BANK ....	0.3
	1111Y1	ROTATOR, VALVE :RIGHT BANK ...	0.3

2



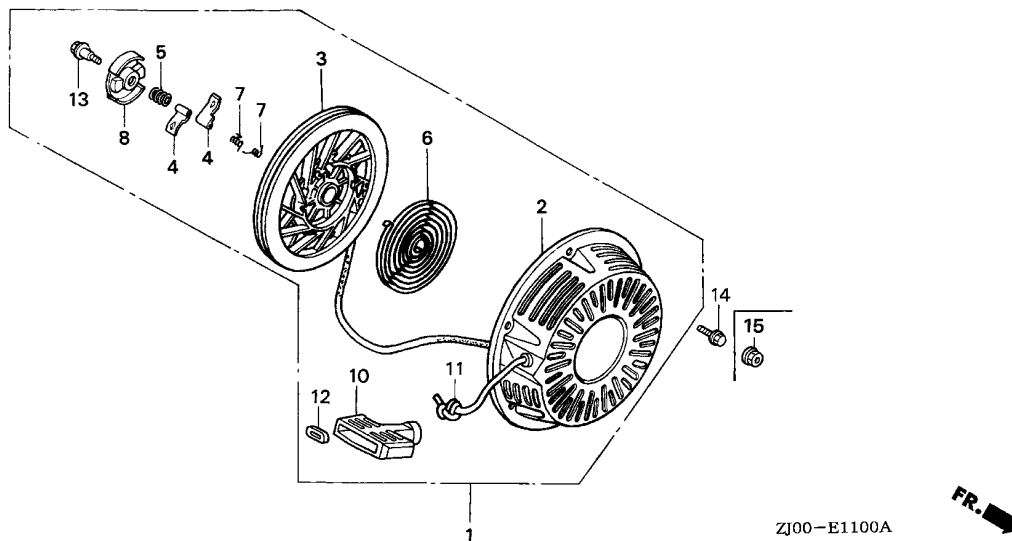
Ref. No.	L.O.N.	(Relative ref. Number) Description	F.R.T.
1	1121B9	STARTER, RECOIL .....	0.1
3	1121B1	REEL, RECOIL STARTER .....	0.4
4	1121B0	RATCHET, STARTER AND/OR SPRING, RATCHET .....	0.2
6	1121B7	SPRING, RECOIL STARTER RETURN .....	0.4
8	1121B2	RETAINER, SPRING .....	0.2
10	1121A3	GRIP, RECOIL STARTER .....	0.1
11	1121B3	ROPE, RECOIL STARTER .....	0.4

ZJ00-E1100A



Ref. No.	Part No.	Description	Reqd. QTY				Serial No.	Parts catalogue code
			GX 610 (1)	GX 610 (2)	GX 610 K1 (3)	GX 610 (3)		
1	28400-ZE3-W01ZA	STARTER ASSY., RECOIL *R8*.....BRIGHT RED	1	-	-	-	----- PZE,QXF6,QZA,QZA1,QZA6,QZB,QZD,QZD1,QZE,QZE4,QZE6,QZF,QZF6 QZX4,VD,VXA3,VZA,VZA1,VZA4 QZF1	
			1	-	-	-	1032299	
			-	(1)	-	-	2060776	
	28400-ZE3-W01ZB	*NH1*.....BLACK	1	-	1	-	----- PZE/A,QZA/A,QZA6/A,QZB/A,QZD1,QZE/A,QZE3,QZE3/A,QZE4,QZE4/A QZE6,QZE6/A,QZF/A,QZF1/A,QZF6,VZA/A,VZA1/A,VZA4	
	28400-ZE3-W01ZP	*R280*.....POWER RED	-	-	1	-	----- PZE,QZA,QZA6,QZB,QZE,QZE,QZF,QZF1,VZA,VZA1	
			-	-	1	-	2060777	
			-	-	1	-	----- PZE/A,QZA/A,QZA6/A,QZB/A,QZB2/A,QZE/A,QZE3/A,QZE4/A,QZE6/A QZF/A,QZF1/A,QZF8,QZF8/A,QZX5/A,VD/A,VZA/A,VZA1/A,VZE1/A	
			-	-	1	-	----- PZE,QZA,QZA6,QZB,QZB2,QZE,QZE3,QZE4,QZE6,QZF,QZF1,QZX5,VD,VZA VZA1,VZE1	
2	28410-ZE3-W01ZA	CASE COMP., RECOIL STARTER *R8*.....BRIGHT RED	1	-	-	-	----- PZE,QXF6,QZA,QZA1,QZA6,QZB,QZD,QZD1,QZE,QZE4,QZE6,QZF,QZF6 QZX4,VD,VXA3,VZA,VZA1,VZA4 QZF1	
			1	-	-	-	1032299	
			-	(1)	-	-	2060776	
	28410-ZE3-W01ZB	*NH1*.....BLACK	1	-	1	-	----- PZE/A,QZA/A,QZA6/A,QZB/A,QZD1,QZE/A,QZE3,QZE3/A,QZE4,QZE4/A QZE6,QZE6/A,QZF/A,QZF1/A,QZF6,VZA/A,VZA1/A,VZA4	
			-	-	1	-	----- PZE,QZA,QZA6,QZB,QZE,QZF,QZF1,VZA,VZA1	



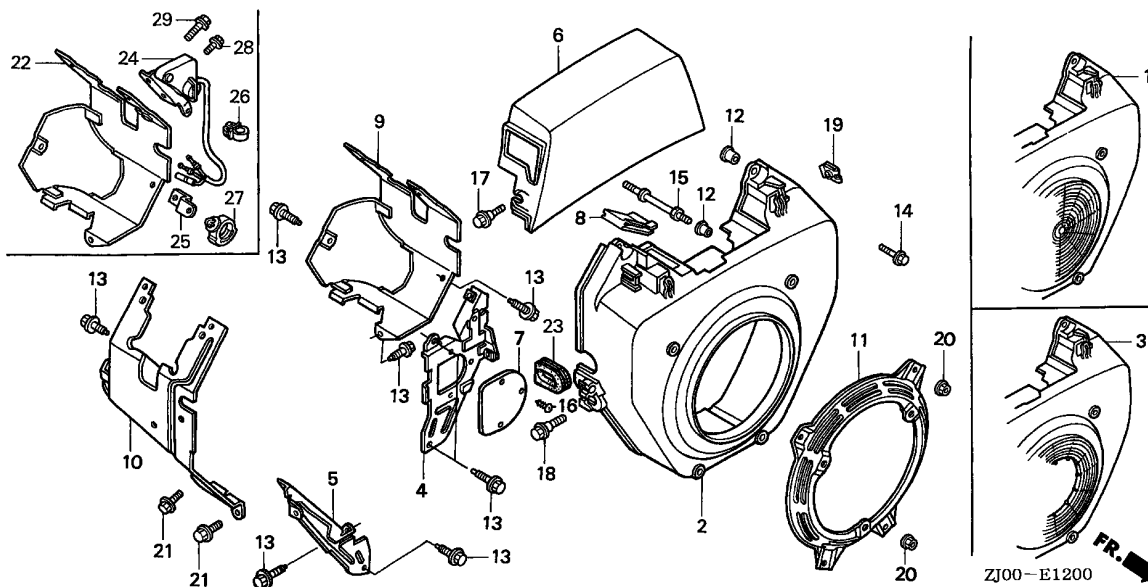


2

Ref. No.	Part No.	Description	Reqd. QTY				Serial No.	Parts catalogue code
			GX 610 (1)	GX 610 (2)	GX 610 K1 (3)	GX 610 (3)		
(2)	28410-ZE3-W01ZP	CASE COMP., RECOIL STARTER *R280*.....POWER RED	-	-	1	-	-----	PZE/A, QZA/A, QZA6/A, QZB/A, QZB2/A, QZE/A, QZE3/A, QZE4/A, QZE6/A, QZF/A, QZF1/A, QZF8, QZF8/A, QZX5/A, VD/A, VZA/A, VZA1/A, VZE1/A
			-	-	1	-	2060777	PZE, QZA, QZA6, QZB, QZB2, QZE, QZE3, QZE4, QZE6, QZF, QZF1, QZX5, VD, VZA, VZA1, VZE1
3	28421-ZE3-W01	PULLEY, RECOIL STARTER .....	1	-	1	-	-----	PZE, PZE/A, QXF6, QZA, QZA/A, QZA1, QZA6, QZA6/A, QZB, QZB/A, QZB2, QZB2/A, QZD, QZD1, QZE, QZE/A, QZE3, QZE3/A, QZE4, QZE4/A, QZE6, QZE6/A, QZF, QZF/A, QZF1/A, QZF6, QZF8, QZF8/A, QZX4, QZX5, QZX5/A, VD, VD/A, VXA3, VZA, VZA/A, VZA1, VZA1/A, VZA4, VZE1, VZE1/A
			1	-	-	-	1032299	QZF1
			-	(1)	-	-	-----	QZF1
4	28422-ZE2-W01	RATCHET, STARTER .....	2	-	2	-	-----	PZE, PZE/A, QXF6, QZA, QZA/A, QZA1, QZA6, QZA6/A, QZB, QZB/A, QZB2, QZB2/A, QZD, QZD1, QZE, QZE/A, QZE3, QZE3/A, QZE4, QZE4/A, QZE6, QZE6/A, QZF, QZF/A, QZF1/A, QZF6, QZF8, QZF8/A, QZX4, QZX5, QZX5/A, VD, VD/A, VXA3, VZA, VZA/A, VZA1, VZA1/A, VZA4, VZE1, VZE1/A
			2	-	-	-	1032299	QZF1
			-	(2)	-	-	-----	QZF1
			-	-	2	-	-----	QZF1
5	28441-ZE2-W01	SPRING, FRICTION .....	1	-	1	-	-----	PZE, PZE/A, QXF6, QZA, QZA/A, QZA1, QZA6, QZA6/A, QZB, QZB/A, QZB2, QZB2/A, QZD, QZD1, QZE, QZE/A, QZE3, QZE3/A, QZE4, QZE4/A, QZE6, QZE6/A, QZF, QZF/A, QZF1/A, QZF6, QZF8, QZF8/A, QZX4, QZX5, QZX5/A, VD, VD/A, VXA3, VZA, VZA/A, VZA1, VZA1/A, VZA4, VZE1, VZE1/A
			1	-	-	-	1032299	QZF1
			-	(1)	-	-	-----	QZF1
			-	-	1	-	-----	QZF1

Ref. No.	Part No.	Description	Reqd. QTY				Serial No.	Parts catalogue code
			GX 610	GX 610	GX 610 K1	GX 610		
			(1)	(2)	(3)			
6	28442-ZE2-W01	SPRING, STARTER RETURN .....	1	-	1	-	PZE,PZE/A,QXF6,QZA,QZA/A,QZA1,QZA6,QZA6/A,QZB,QZB/A,QZB2,QZB2/A,QZD,QZD1,QZE,QZE/A,QZE3,QZE3/A,QZE4,QZE4/A,QZE6,QZE6/A,QZF,QZF/A,QZF1/A,QZF6,QZF8,QZF8/A,QZX4,QZX5,QZX5/A,VD,VD/A,VXA3,VZA,VZA/A,VZA1,VZA1/A,VZA4,VZE1,VZE1/A	
			1	-	-	-	1032299 QZF1	
			-	(1)	-	-		
7	28443-ZE2-W01	SPRING, RATCHET .....	2	-	2	-	QZF1 PZE,PZE/A,QXF6,QZA,QZA/A,QZA1,QZA6,QZA6/A,QZB,QZB/A,QZB2,QZB2/A,QZD,QZD1,QZE,QZE/A,QZE3,QZE3/A,QZE4,QZE4/A,QZE6,QZE6/A,QZF,QZF/A,QZF1/A,QZF6,QZF8,QZF8/A,QZX4,QZX5,QZX5/A,VD,VD/A,VXA3,VZA,VZA/A,VZA1,VZA1/A,VZA4,VZE1,VZE1/A	
			2	-	-	-	1032299 QZF1	
			-	(2)	-	-		
8	28444-ZE2-W01	RETAINER, SPRING .....	1	-	1	-	QZF1 PZE,PZE/A,QXF6,QZA,QZA/A,QZA1,QZA6,QZA6/A,QZB,QZB/A,QZB2,QZB2/A,QZD,QZD1,QZE,QZE/A,QZE3,QZE3/A,QZE4,QZE4/A,QZE6,QZE6/A,QZF,QZF/A,QZF1/A,QZF6,QZF8,QZF8/A,QZX4,QZX5,QZX5/A,VD,VD/A,VXA3,VZA,VZA/A,VZA1,VZA1/A,VZA4,VZE1,VZE1/A	
			1	-	-	-	1032299 QZF1	
			-	(1)	-	-		
10	28461-ZE2-W01	GRIP, STARTER .....	1	-	-	-	QZF1 QZF6,VXA3	
			1	-	-	-	1031796 PZE,QXF6,QZA,QZA1,QZA6,QZB,QZD,QZD1,QZE,QZE4,QZE6,QZF,QZF1,QZX4,VZA,VZA1,VZA4	
			-	(1)	-	-		
	28461-ZE2-W02	.....	1	-	1	-	PZE/A,QZA/A,QZA6/A,QZB/A,QZB2,QZB2/A,QZE/A,QZE3,QZE3/A,QZE4/A,QZE6/A,QZF/A,QZF1/A,QZF6,QZF8,QZF8/A,QZX5,QZX5/A,VD,VD/A,VZA/VZA1/A,VZE1,VZE1/A	
			1	-	-	-	1031797 PZE,QXF6,QZA,QZA1,QZA6,QZB,QZD,QZD1,QZE,QZE4,QZE6,QZF,QZX4,VZA/VZA1,VZA4	
			1	-	-	-	1031797 1032299 QZF1	
			-	-	1	-	PZE,QZA,QZA6,QZB,QZE,QZE4,QZE6,QZF,QZF1,VZA,VZA1	
11	28462-ZE3-W01	ROPE, RECOIL STARTER .....	1	-	1	-	PZE,PZE/A,QXF6,QZA,QZA/A,QZA1,QZA6,QZA6/A,QZB,QZB/A,QZB2,QZB2/A,QZD,QZD1,QZE,QZE/A,QZE3,QZE3/A,QZE4,QZE4/A,QZE6,QZE6/A,QZF,QZF/A,QZF1/A,QZF6,QZF8,QZF8/A,QZX4,QZX5,QZX5/A,VD,VD/A,VXA3,VZA,VZA/A,VZA1,VZA1/A,VZA4,VZE1,VZE1/A	
			1	-	-	-	1032299 QZF1	
			-	(1)	-	-		
			-	-	1	-	QZF1	
12	28469-ZE2-W01	GRIP, REINFORCEMENT .....	1	-	-	-	QZF6,VXA3	
			1	-	-	-	1031796 PZE,QXF6,QZA,QZA1,QZA6,QZB,QZD,QZD1,QZE,QZE4,QZE6,QZF,QZF1,QZX4,VZA,VZA1,VZA4	
			-	(1)	-	-		
13	90004-ZE2-W01	SCREW, CENTER .....	1	-	1	-	PZE,PZE/A,QXF6,QZA,QZA/A,QZA1,QZA6,QZA6/A,QZB,QZB/A,QZB2,QZB2/A,QZD,QZD1,QZE,QZE/A,QZE3,QZE3/A,QZE4,QZE4/A,QZE6,QZE6/A,QZF,QZF/A,QZF1/A,QZF6,QZF8,QZF8/A,QZX4,QZX5,QZX5/A,VD,VD/A,VXA3,VZA,VZA/A,VZA1,VZA1/A,VZA4,VZE1,VZE1/A	
			1	-	-	-	1032299 QZF1	
			-	(1)	-	-		
			-	-	1	-	QZF1	
14	95701-06008-00	BOLT, FLANGE, 6X8 .....	3	-	-	-	QZF6,VXA3	
			3	-	-	-	1032299 QZF1	
			-	(3)	-	-		
	90008-ZE2-003	BOLT, FLANGE, 6X10 .....	3	-	-	-	PZE,QZA,QZA1,QZA6,QZB,QZD,QZD1,QZE,QZE4,QZE6,QZF,QZX4,VD,VZA/VZA1,VZA4	
15	94050-06070	NUT, FLANGE, 6MM .....	-	-	3	-	PZE,PZE/A,QYF,QYF/A,QZA,QZA/A,QZA6,QZA6/A,QZB,QZB/A,QZB2,QZB2/A,QZE,QZE/A,QZE3,QZE3/A,QZE4,QZE4/A,QZE6,QZE6/A,QZF,QZF/A,QZF1/A,QZF8,QZF8/A,QZX5,QZX5/A,VD,VD/A,VZA,VZA/A,VZA1/VZA1/A,VZE1,VZE1/A	





Ref. No.	L.O.N.	(Relative ref. Number) Description	F.R.T.
2	(1,3)		
	1141G8	COVER, ENGINE COOLING FAN ....	0.4
4	1121A5	PLATE, SIDE :LEFT .....	0.8
5	1121A6	PLATE, SIDE :RIGHT .....	0.4
6	4141C6	HOOD, FAN COVER .....	0.1
9	(22)		
	4141D9	SHROUD, ENGINE :LEFT .....	0.7
10	4141E1	SHROUD, ENGINE :RIGHT .....	0.6
11	1121B5	SPACER, RECOIL STARTER MOUNTING .....	0.1
24	6151D9	SWITCH, ENGINE STOP .....	0.2

ZJ00-E1200

2

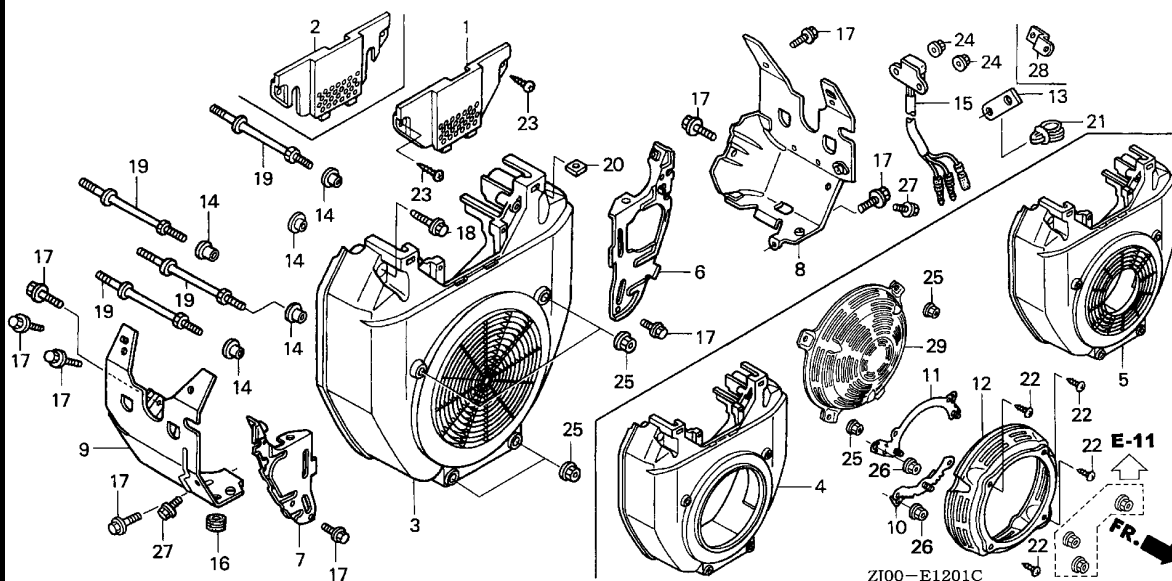
Ref. No.	Part No.	Description	Reqd. QTY				Serial No.	Parts catalogue code
			GX 610	GX 610	GX 610 K1	GX 610 (3)		
1	19611-ZJ1-000ZA	COVER, FAN *NH246*.....LOOSEY GRAY	1	-	-	-	----- QDE,QDF,VXE	
			-	(1)	-	-		
	19611-ZJ1-000ZB	*R8*.....BRIGHT RED	1	-	-	1	----- QAF2,QDA1,QDE,QDE1,QDE6,QDF,QDF6,QXE4,TFX2,VXD,VXE,VXEP,VXE1 VXE3,VXE4	
			1	-	-	1032300	----- QZF1	
			-	(1)	-	-		
	19611-ZJ1-000ZC	*NH1*.....BLACK	1	-	-	-	----- QDE6,QDF2,QDF6,QDW,VXE4	
2	19611-ZJ1-800ZA	COVER, FAN (RECOIL STARTER) *NH246*.....LOOSEY GRAY	1	-	-	-	----- QYF,QZA,QZB,QZE,QZF,VZA	
			-	(1)	-	-		
	19611-ZJ1-800ZB	*R8*.....BRIGHT RED	1	-	-	-	----- PZE,QXF6,QYF,QZA,QZA1,QZA6,QZB,QZD,QZD1,QZE,QZE4,QZE6,QZF,QZF6 QZX4,VD,VXA3,VZA,VZA1,VZA4	
			1	-	-	-	----- 1032299 QZF1	
			-	(1)	-	-		
	19611-ZJ1-800ZC	*NH1*.....BLACK	1	-	-	-	----- QZD1,QZE4,QZE6,QZF6,VZA4	
3	19611-ZJ1-810ZA	COVER, FAN (P.T.O.) *NH246*.....LOOSEY GRAY	1	-	-	-	----- QAF	
			-	(1)	-	-		
	19611-ZJ1-810ZB	*R8*.....BRIGHT RED	1	-	-	1	----- QAC6,QAF,QAFP	
			-	(1)	-	-		
	19611-ZJ1-810ZC	*NH1*.....BLACK	1	-	-	-	----- QAC6	
	19611-ZJ1-830ZA	*NH1*.....BLACK	-	-	-	1	----- QAFU	
4	19612-ZJ1-000	PLATE, SIDE (L. SIDE)	1	1	-	1		
5	19614-ZJ1-000	PLATE, SIDE (R. SIDE)	1	1	-	1		

Ref. No.	Part No.	Description	Reqd. QTY				Serial No.	Parts catalogue code
			GX 610	GX 610	GX 610 K1	GX 610		
			(1)	(2)	(3)			
6	19615-ZJ1-000	HOOD, FAN COVER .....	1	-	-	-	PZE,QAC6,QAF,QDA1,QDE,QDE1,QDE6,QDF,QDF2,QDF6,QDW,QXF6,QYF,QZA,QZA1,QZA6,QZB,QZD,QZE,QZE4,QZE6,QZF,QZF1,QZF6,QZX4,VD,VXA3,VXD,VXE,VXE1,VXE3,VXE4,VZA,VZA1,VZA4	
			1	-	-	1017229	QXE4	
	19615-ZJ1-800	.....	-	-	-	1	QAFP,VXEP	
	19615-ZJ1-820	.....	-	-	-	1	QAFU	
	19615-ZJ0-U60	.....	1	-	-	-	QAF2	
			1	-	-	1017230	QXE4	
			1	-	-	1013291	TXF2	
	19615-ZJ0-U70	.....	1	-	-	-	QZD1	
			1	-	-	1013292	TXF2	
7	19617-ZJ4-000	COVER, R. SIDE PLATE .....	1	-	-	-	QZD,QZD1,QZX4	
8	19618-ZJ0-U70	PLUG, FAN COVER HOLE .....	1	-	-	-	QAF2,QZD1,TF2	
			1	-	-	1017230	QXE4	
			-	-	-	1		
9	19631-ZJ1-000	SHROUD .....	1	-	-	-	QDF2,QZA6,QZF1,VD,VXD,VXE3,VZA1	
	(L. SIDE)		1	-	-	-	PZE,QAC6,QAF,QAF2,QDA1,QDE,QDE1,QDE6,QDF,QDF6,QDW,QXE4,QXF6,QYF,QZA,QZA1,QZB,QZE,QZE4,QZE6,QZF,QZF6,QZX4,TF2,VXA3,VXE,VXE1,VXE4,VZA,VZA4	
10	19632-ZJ1-000	SHROUD .....	-	1	-	1		
	(R. SIDE)		1	1	-	1		
11	28405-ZJ1-801ZA	SPACER, RECOIL STARTER MOUNTING						
	*NH1*.....	BLACK	1	-	-	-	QZD1,QZE4,QZE6,QZF6,VZA4	
	28405-ZJ1-801ZB	*R8*.....	1	-	-	-	PZE,QXF6,QYF,QZA,QZA1,QZA6,QZB,QZD,QZD1,QZE,QZE4,QZE6,QZF,QZF6,QZX4,VD,VXA3,VZA,VZA1,VZA4	
			1	-	-	1032299	QZF1	
			-	(1)	-	-		
12	33713-GC2-000	COLLAR B, TAILLIGHT .....	6	6	-	6		
13	90013-883-000	BOLT, FLANGE, 6X12(CT200) ...	8	8	-	8		
14	90018-ZE1-000	BOLT, FLANGE, 6X23(CT200) ...	2	2	-	2		
15	90042-ZJ1-000	BOLT, STUD, 6X75 .....	4	4	-	4		
16	90055-ZE1-000	SCREW, TAPPING, 4X6 .....	3	-	-	-	QZD,QZD1,QZX4	
17	90104-GF6-000	BOLT, FLANGE, 6X20 .....	2	2	-	2		
18	90113-GE4-000	BOLT, FLANGE, 6MM(BLACK) ....	2	2	-	2		
19	90320-MM5-000	NUT, SPRING, 6MM .....	2	2	-	2		
20	94050-06000	NUT, FLANGE, 6MM .....	4	4	-	4		
21	95701-06008-00	BOLT, FLANGE, 6X8 .....	2	2	-	2		
22	19631-ZJ0-V10	SHROUD .....						
	(L. SIDE)		1	-	-	-	QZD,QZD1	
23	19905-ZA8-701	GROMMET, CORD .....	1	-	-	-	VD,VXD	
24	36100-ZJ0-V11	SWITCH ASSY., ENGINE STOP ...	1	-	-	-	QZD	
25	54518-767-B40	BRACKET, CABLE CLIP .....	1	-	-	-	QZD,QZD1	
26	90682-ZE6-000	CLIP, FUEL TUBE .....	1	-	-	-	QZD	
27	90683-SD9-781	CLIP (20MM) .....	1	-	-	-	QZD,QZD1	
28	95701-06010-00	BOLT, FLANGE, 6X10 .....	1	-	-	-	QZD	
29	95701-08016-00	BOLT, FLANGE, 8X16 .....	1	-	-	-	QZD	

E-12-1

FAN COVER(2)

F10



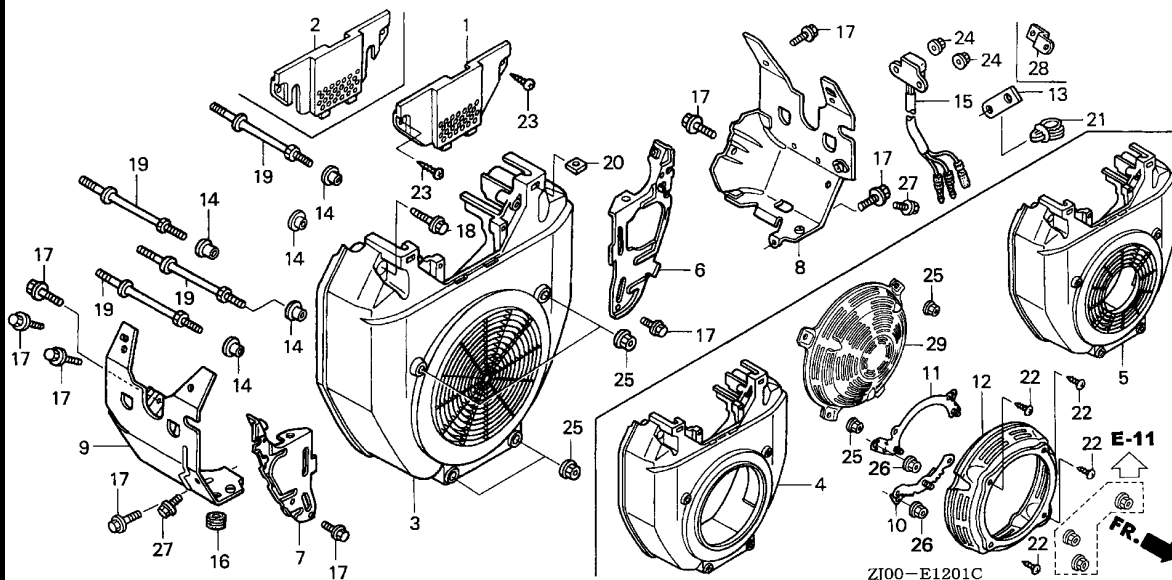
Ref. No.	L.O.N.	(Relative ref. Number) Description	F.R.T.
1		(2)	
3101A4		COVER, FUEL PUMP .....	0.1
3		(5)	
1141G8		COVER, ENGINE COOLING FAN ....	0.3
4		COVER, ENGINE COOLING FAN(A) -	0.4
		.NOTE: Recoil starter	
6		1121A5 PLATE, SIDE :LEFT .....	0.8
7		1121A6 PLATE, SIDE :RIGHT .....	0.8
8		4141D9 SHROUD, ENGINE :LEFT .....	0.7
9		4141E1 SHROUD, ENGINE :RIGHT .....	0.7
10		1121C7 STAY A, RECOIL STARTER .....	0.1
11		1121C8 STAY B, RECOIL STARTER .....	0.1
12		1121C6 COVER, RECOIL STARTER MOUNTING	0.1
15		6151A0 ALERT UNIT, ENGINE OIL .....	0.2

Ref. No.	Part No.	Description	Reqd. QTY				Serial No.	Parts catalogue code
			GX 610	GX 610	GX 610 K1	GX 610 (3)		
1	16715-ZJ1-840	COVER, FUEL PUMP .....	-	-	1	-	QAD2,QAD2/A,QAF,QAF/A,QDF2,QDF2/A,QDW,QDW/A,QDX2,QDX2/A,QWF,QWF/A,QYF,QYF/A,QZA,QZA/A,QZA6,QZA6/A,QZE3/A,QZE4,SWD,SWD/A,TFX2,TFX2/A	
2	16715-ZJ1-850	COVER, FUEL PUMP (MANUAL CONTROL)	-	-	1	-	PZE,PZE/A,QAF2,QAF2/A,QDE,QDE/A,QDF,QDF/A,QDF6,QDF6/A,QZB,QZB/A,QZB2,QZB2/A,QZE,QZE/A,QZE4,QZE4/A,QZE6,QZE6/A,QZF,QZF/A,QZF1,QZF1/A,QZF8,QZF8/A,QZX5,QZX5/A,VEP4,VEP4/A,VXE,VXE/A,VXE1,VXE1/A,VXE3,VXE3/A,VXE4,VXE4/A,VZA,VZA/A,VZA1,VZA1/A,VZE1,VZE1/A	
	16715-ZJ1-860	COVER, FUEL PUMP (MANUAL CHOKE)	-	-	1	-	VD,VD/A,VXD,VXD/A,VZA2,VZA2/A	
3	19611-ZJ1-840ZA	COVER, FAN *NH1*.....BLACK	-	-	1	-	QAF2,QAF2/A,QDE,QDE/A,QDF,QDF/A,QDF2,QDF2/A,QDF6,QDF6/A,QDW,QDW/A,VXE,VXE/A,VXE1,VXE1/A,VXE3,VXE3/A,VXE4,VXE4/A,VZA2,VZA2/A	
	19611-ZJ1-840ZB	*R8*.....BRIGHT RED	-	-	1	2022135	QAF2,QDE,QDF,QDF2,QDF6,QDW,QWF,TFX2,VXD,VXE,VXE1,VXE3,VXE4,VZA2	
	19611-ZJ1-840ZC	*R280*.....POWER RED	-	-	1	2022136	QAF2/A,QDE/A,QDF/A,QDF2/A,QDF6/A,QDW/A,QDX2,QDX2/A,QWF/A,TFX2/A,VEP4,VEP4/A,VXD/A,VXE/A,VXE1/A,VXE3/A,VXE4/A,VZA2/A	
4	19611-ZJ1-850ZA	COVER, FAN (RECOIL STARTER) *NH1*.....BLACK	-	-	1	-	PZE,PZE/A,QYF,QYF/A,QZA,QZA/A,QZA6,QZA6/A,QZB,QZB/A,QZE,QZE/A,QZE3,QZE3/A,QZE4,QZE4/A,QZE6,QZE6/A,QZF,QZF/A,QZF1,QZF1/A,VZA,VZA/A,VZA1,VZA1/A	
	19611-ZJ1-850ZB	*R8*.....BRIGHT RED	-	-	1	2021866	PZE,QYF,QZA,QZA6,QZB,QZB2,QZE,QZE3,QZE4,QZE6,QZF,QZF1,QZX5,VD,VZA,VZA1,VZE1	

Ref. No.	Part No.	Description	Reqd. QTY				Serial No.	Parts catalogue code
			GX 610	GX 610	GX 610 K1	GX 610		
			(1)	(2)	(3)			
(4)	19611-ZJ1-850ZC	COVER, FAN (RECOIL STARTER) *R280*.....POWER RED	-	-	1	-	----- PZE/A,QAD2,QAD2/A,QYF/A,QZA/A,QZA6/A,QZB/A,QZB2/A,QZE/A,QZE3/A,QZE4/A,QZE6/A,QZF/A,QZF1/A,QZF8,QZF8/A,QZX5/A,VD/A,VDF2,VDF2/A,VZA/A,VZA1/A,VZE1/A	
			-	-	1	2021867	----- PZE,QYF,QZA,QZA6,QZB,QZB2,QZE,QZE3,QZE4,QZE6,QZF,QZF1,QZX5,VD,VZA,VZA1,VZE1	
5	19611-ZJ1-860ZB	COVER, FAN (P.T.O.) *R8*.....BRIGHT RED	-	-	1	-	----- 2022543 QAF	
	19611-ZJ1-860ZA	*NH1*.....BLACK	-	-	1	-	----- QAF/A	
	19611-ZJ1-860ZC	*R280*.....POWER RED	-	-	1	-	----- QAF/A,SWD,SWD/A	
			-	-	1	2022544	----- QAF	
6	19612-ZJ1-840	PLATE, SIDE ..... (L. SIDE)	-	-	1	-	----- 2017309 PZE,QAF,QAF2,QDE,QDF,QDF2,QDF6,QDW,QWF,QYF,QZA,QZA6,QZB,QZB2,QZE,QZE3,QZE4,QZE6,QZF,QZF1,TXF2,VD,VXD,VXE,VXE1,VXE3,VXE4,VZA,VZA1,VZA2,VZE1	
	19612-ZJ1-W31	PLATE, SIDE (RECOIL STARTER) (L. SIDE)	-	-	1	-	----- QZX5,QZX5/A	
	19612-ZJ1-841	PLATE, SIDE ..... (L. SIDE)	-	-	1	-	----- PZE/A,QAD2,QAD2/A,QAF/A,QAF2/A,QDE/A,QDF/A,QDF2/A,QDF6/A,QDW/A,QDX2,QDX2/A,QWF/A,QYF/A,QZA/A,QZA6/A,QZB/A,QZB2/A,QZE/A,QZE3/A,QZE4/A,QZE6/A,QZF/A,QZF1/A,QZF8,QZF8/A,SWD,SWD/A,TXF2/A,VD/A,VDF2,VDF2/A,VEP4,VEP4/A,VXD/A,VXE/A,VXE1/A,VXE3/A,VXE4/A,VZA/VZA1/A,VZA2/A,VZE1/A	
		..	-	-	1	2017310	----- PZE,QAF,QAF2,QDE,QDF,QDF2,QDF6,QDW,QWF,QYF,QZA,QZA6,QZB,QZB2,QZE,QZE3,QZE4,QZE6,QZF,QZF1,TXF2,VD,VXD,VXE,VXE1,VXE3,VXE4,VZA,VZA1,VZA2,VZE1	
7	19614-ZJ1-840	PLATE, SIDE ..... (R. SIDE)	-	-	1	-	----- 2017309 PZE,QAF,QAF2,QDE,QDF,QDF2,QDF6,QDW,QWF,QYF,QZA,QZA6,QZB,QZB2,QZE,QZE3,QZE4,QZE6,QZF,QZF1,TXF2,VD,VXD,VXE,VXE1,VXE3,VXE4,VZA,VZA1,VZA2,VZE1	
	19614-ZJ1-841	..... (R. SIDE)	-	-	1	-	----- PZE/A,QAD2,QAD2/A,QAF/A,QAF2/A,QDE/A,QDF/A,QDF2/A,QDF6/A,QDW/A,QDX2,QDX2/A,QWF/A,QYF/A,QZA/A,QZA6/A,QZB/A,QZB2/A,QZE/A,QZE3/A,QZE4/A,QZE6/A,QZF/A,QZF1/A,QZF8,QZF8/A,QZX5,QZX5/A,SWD,SWD/A,TXF2/A,VD/A,VDF2,VDF2/A,VEP4,VEP4/A,VXD/A,VXE/A,VXE1/A,VXE3/A,VXE4/A,VZA/A,VZA1/A,VZA2/A,VZE1/A	
		..	-	-	1	2017310	----- PZE,QAF,QAF2,QDE,QDF,QDF2,QDF6,QDW,QWF,QYF,QZA,QZA6,QZB,QZB2,QZE,QZE3,QZE4,QZE6,QZF,QZF1,TXF2,VD,VXD,VXE,VXE1,VXE3,VXE4,VZA,VZA1,VZA2,VZE1	
8	19631-ZJ1-840	SHROUD ..... (L. SIDE)	-	-	1	-	----- QAD2,QAD2/A,QAF,QAF/A,QAF2,QAF2/A,QDE,QDE/A,QDF,QDF/A,QDF2,QDF2/A,QDF6,QDF6/A,QDW,QDW/A,QDX2,QDX2/A,QWF,QWF/A,QYF,QYF/A,QZF,QZF/A,SWD,SWD/A,TXF2,VDF2,VDF2/A	
	19631-ZJ1-850	SHROUD (OIL ALERT) ..... (L. SIDE)	-	-	1	-	----- PZE,PZE/A,QZA,QZA/A,QZA6,QZA6/A,QZB,QZB/A,QZB2,QZB2/A,QZE,QZE/A,QZE3,QZE3/A,QZE4,QZE4/A,QZE6,QZE6/A,QZF1,QZF1/A,QZF8,QZF8/A,QZX5,QZX5/A,TXF2/A,VD,VD/A,VEP4,VEP4/A,VXD,VXD/A,VXE,VXE/A,VXE1,VXE1/A,VXE3,VXE3/A,VXE4,VXE4/A,VZA,VZA/A,VZA1,VZA1/A,VZA2,VZA2/A,VZE1,VZE1/A	
9	19632-ZJ1-840	SHROUD ..... (R. SIDE)	-	-	1	-	----- 2017309 PZE,QAF,QAF2,QDE,QDF,QDF2,QDF6,QDW,QWF,QYF,QZA,QZA6,QZB,QZB2,QZE,QZE3,QZE4,QZE6,QZF,QZF1,TXF2,VD,VXD,VXE,VXE1,VXE3,VXE4,VZA,VZA1,VZA2,VZE1	



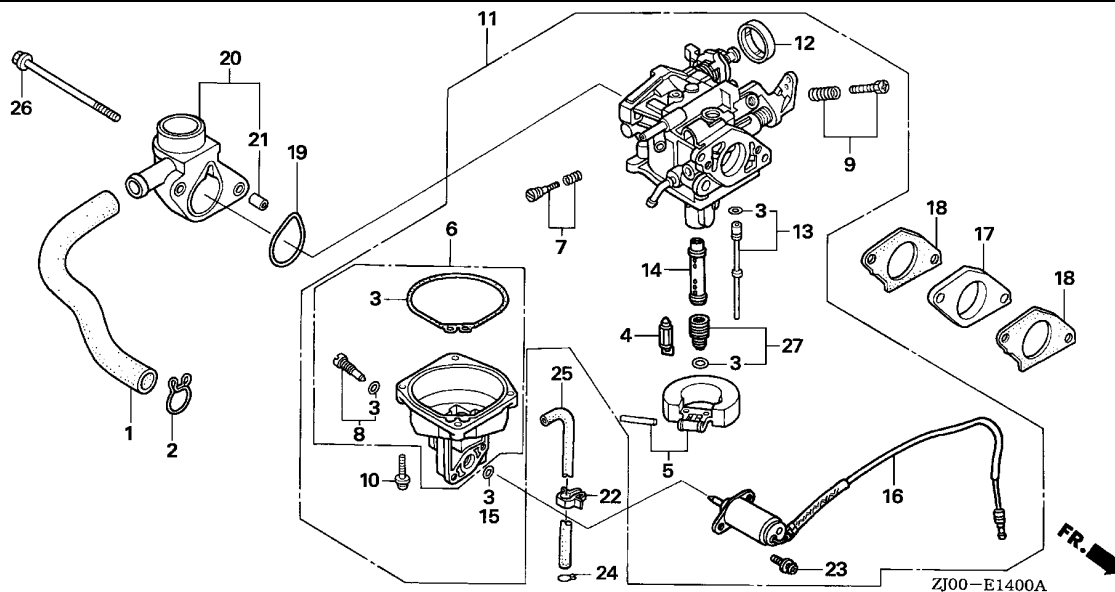




Ref. No.	Part No.	Description	Reqd. QTY				Serial No.	Parts catalogue code
			GX 610	GX 610	GX 610 K1	GX 610 (3)		
(9)	19632-ZJ1-841	SHROUD (R. SIDE)	-	-	1	-	PZE/A, QAD2, QAD2/A, QAF/A, QAF2/A, QDE/A, QDF/A, QDF2/A, QDF6/A, QDW/A, QDX2, QDX2/A, QWF/A, QYF/A, QZA/A, QZA6/A, QZB/A, QZB2/A, QZE/A, QZE3/A, QZE4/A, QZE6/A, QZF/A, QZF1/A, QZF8, QZF8/A, QZX5, QZX5/A, SWD, SWD/A, TXF2/A, VD/A, VDF2, VDF2/A, VEP4, VEP4/A, VXD/A, VXE/A, VXE1/A, VXE3/A, VXE4/A, VZA/A, VZA1/A, VZA2/A, VZE1/A	
		..	-	-	1	2017310	PZE, QAF, QAF2, QDE, QDF, QDF2, QDF6, QDW, QWF, QYF, QZA, QZA6, QZB, QZB2, QZE, QZE3, QZE4, QZE6, QZF, QZF1, TXF2, VD, VXD, VXE, VXE1, VXE3, VXE4, VZA, VZA1, VZA2, VZE1	
10	28491-ZJ1-840	STAY A, RECOIL STARTER	-	-	1	-	PZE, PZE/A, QYF, QYF/A, QZA, QZA/A, QZA6, QZA6/A, QZB, QZB/A, QZB2, QZB2/A, QZE, QZE/A, QZE3, QZE3/A, QZE4, QZE4/A, QZE6, QZE6/A, QZF, QZF/A, QZF1, QZF1/A, QZF8, QZF8/A, QZX5, QZX5/A, VD, VD/A, VZA, VZA/A, VZA1, VZA1/A, VZE1, VZE1/A	
11	28492-ZJ1-840	STAY B, RECOIL STARTER	-	-	1	-	PZE, PZE/A, QYF, QYF/A, QZA, QZA/A, QZA6, QZA6/A, QZB, QZB/A, QZB2, QZB2/A, QZE, QZE/A, QZE3, QZE3/A, QZE4, QZE4/A, QZE6, QZE6/A, QZF, QZF/A, QZF1, QZF1/A, QZF8, QZF8/A, QZX5, QZX5/A, VD, VD/A, VZA, VZA/A, VZA1, VZA1/A, VZE1, VZE1/A	
12	28496-ZJ1-840ZA	COVER, RECOIL STARTER STAY *NH1*.....BLACK	-	-	1	-	PZE, PZE/A, QYF, QYF/A, QZA, QZA/A, QZA6, QZA6/A, QZB, QZB/A, QZE, QZE/A, QZE3, QZE3/A, QZE4, QZE4/A, QZE6, QZE6/A, QZF, QZF/A, QZF1, QZF1/A, VZA, VZA/A, VZA1, VZA1/A	
	28496-ZJ1-840ZB	*R8*.....BRIGHT RED	-	-	1	2021866	PZE, QYF, QZA, QZA6, QZB, QZB2, QZE, QZE3, QZE4, QZE6, QZF, QZF1, QZX5, VD, VZA, VZA1, VZE1	

Ref. No.	Part No.	Description	Reqd. QTY				Serial No.	Parts catalogue code
			GX 610	GX 610	GX 610 K1	GX 610		
			(1)	(2)	(3)			
12)	28496-ZJ1-840ZC	COVER, RECOIL STARTER STAY *R280*.....POWER RED	-	-	1	-	----- PZE/A,QYF/A,QZA/A,QZA6/A,QZB/A,QZB2/A,QZE/A,QZE3/A,QZE4/A QZE6/A,QZF/A,QZF1/A,QZF8,QZF8/A,QZX5/A,VD/A,VZA/A,VZA1/A VZE1/A	
			-	-	1	2021867	----- PZE,QYF,QZA,QZA6,QZB,QZB2,QZE,QZE3,QZE4,QZE6,QZF,QZF1,QZX5,VD VZA,VZA1,VZE1	
13	32103-ZG8-000	BRACKET, WIRE HARNESS CLIP ..	-	-	1	-	----- VD,VD/A,VXD,VXD/A,VXE3,VXE3/A,VZA2,VZA2/A	
14	33713-GC2-000	COLLAR B, TAILLIGHT .....	-	-	6	-		
15	34150-ZJ1-841	ALERT UNIT, OIL .....	-	-	1	2049759	----- PZE,QZA,QZA6,QZB,QZB2,QZE,QZE3,QZE4,QZE6,QZF1,QZF8,QZX5,TFX2 VD,VEP4,VXD,VXE,VXE1,VXE3,VXE4,VZA,VZA1,VZA2,VZE1	
	34150-ZJ1-842	.....	-	-	1	-	----- PZE/A,QZA/A,QZA6/A,QZB/A,QZB2/A,QZE/A,QZE3/A,QZE4/A,QZE6/A QZF1/A,QZF8/A,QZX5/A,TFX2/A,VD/A,VEP4/A,VXD/A,VXE/A,VXE1/A VXE3/A,VXE4/A,VZA/A,VZA1/A,VZA2/A,VZE1/A	
			-	-	1	2049760	----- PZE,QZA,QZA6,QZB,QZB2,QZE,QZE3,QZE4,QZE6,QZF1,QZF8,QZX5,TFX2 VD,VEP4,VXD,VXE,VXE1,VXE3,VXE4,VZA,VZA1,VZA2,VZE1	
16	80101-310-000	RUBBER, RR. FENDER CUSHION ..	-	-	1	-		
17	90013-883-000	BOLT, FLANGE, 6X12(CT200) ...	-	-	10	-		
18	90018-ZE1-000	BOLT, FLANGE, 6X23(CT200) ...	-	-	2	-		
19	90042-ZJ1-840	BOLT, STUD, 6X71 .....	-	-	4	-		
20	90313-ZJ1-840	NUT, SQUARE, 5MM .....	-	-	2	-		
21	91558-SD5-003	CLIP, WIRE HARNESS (BLACK) ..	-	-	1	-	----- QZX5,QZX5/A,VD,VD/A,VXD,VXD/A,VXE3,VXE3/A,VZA2,VZA2/A	
22	93903-35380	SCREW, TAPPING, 5X16 .....	-	-	4	-	----- PZE,PZE/A,QYF,QYF/A,QZA,QZA/A,QZA6,QZA6/A,QZB,QZB/A,QZB2 QZB2/A,QZE,QZE/A,QZE3,QZE3/A,QZE4,QZE4/A,QZE6,QZE6/A,QZF,QZF/A QZF1,QZF1/A,QZF8,QZF8/A,QZX5,QZX5/A,VD,VD/A,VZA,VZA/A,VZA1 VZA1/A,VZE1,VZE1/A	
23	93913-25580	SCREW, TAPPING, 5X20 .....	-	-	2	-	----- PZE,PZE/A,QAD2,QAD2/A,QAF,QAF/A,QAF2,QAF2/A,QDE,QDE/A,QDF QDF/A,QDF2,QDF2/A,QDF6,QDF6/A,QDW,QDW/A,QDX2,QDX2/A,QWF,QWF/A QYF,QYF/A,QZA,QZA/A,QZA6,QZA6/A,QZB,QZB/A,QZB2,QZB2/A,QZE QZE/A,QZE3,QZE3/A,QZE4,QZE4/A,QZE6,QZE6/A,QZF,QZF/A,QZF1 QZF1/A,QZF8,QZF8/A,QZX5,QZX5/A,SWD,SWD/A,TFX2,TFX2/A,VD,VD/A VEP4,VEP4/A,VXD,VXD/A,VXE,VXE/A,VXE1,VXE1/A,VXE3,VXE3/A,VXE4 VXE4/A,VZA,VZA/A,VZA1,VZA1/A,VZA2,VZA2/A,VZE1,VZE1/A	
24	94050-05000	NUT, FLANGE, 5MM .....	-	-	2	-	----- PZE,PZE/A,QZA,QZA/A,QZA6,QZA6/A,QZB,QZB/A,QZB2,QZB2/A,QZE QZE/A,QZE3,QZE3/A,QZE4,QZE4/A,QZE6,QZE6/A,QZF1,QZF1/A,QZF8 QZF8/A,QZX5,QZX5/A,TFX2,TFX2/A,VD,VD/A,VEP4,VEP4/A,VXD,VXD/A VXE,VXE/A,VXE1,VXE1/A,VXE3,VXE3/A,VXE4,VXE4/A,VZA,VZA/A,VZA1 VZA1/A,VZA2,VZA2/A,VZE1,VZE1/A	
25	94050-06000	NUT, FLANGE, 6MM .....	-	-	4	-	----- QAD2,QAD2/A,QAF,QAF/A,QAF2,QAF2/A,QDE,QDE/A,QDF,QDF/A,QDF2 QDF2/A,QDF6,QDF6/A,QDW,QDW/A,QDX2,QDX2/A,QWF,QWF/A,SWD,SWD/A TFX2,TFX2/A,VDF2,VDF2/A,VEP4,VEP4/A,VXD,VXD/A,VXE,VXE/A,VXE1 VXE1/A,VXE3,VXE3/A,VXE4,VXE4/A,VZA2,VZA2/A	
26	94050-06070	NUT, FLANGE, 6MM .....	-	-	4	-	----- PZE,PZE/A,QYF,QYF/A,QZA,QZA/A,QZA6,QZA6/A,QZB,QZB/A,QZB2 QZB2/A,QZE,QZE/A,QZE3,QZE3/A,QZE4,QZE4/A,QZE6,QZE6/A,QZF,QZF/A QZF1,QZF1/A,QZF8,QZF8/A,QZX5,QZX5/A,VD,VD/A,VZA,VZA/A,VZA1 VZA1/A,VZE1,VZE1/A	
27	95701-06008-00	BOLT, FLANGE, 6X8 .....	-	-	2	-		
28	54518-767-B40	BRACKET, CABLE CLIP .....	-	-	1	-	----- QZX5,QZX5/A	
29	19621-ZJ1-801ZC	PROTECTOR, FAN COVER *R280*.....POWER RED	-	-	1	-	----- QAD2,QAD2/A	



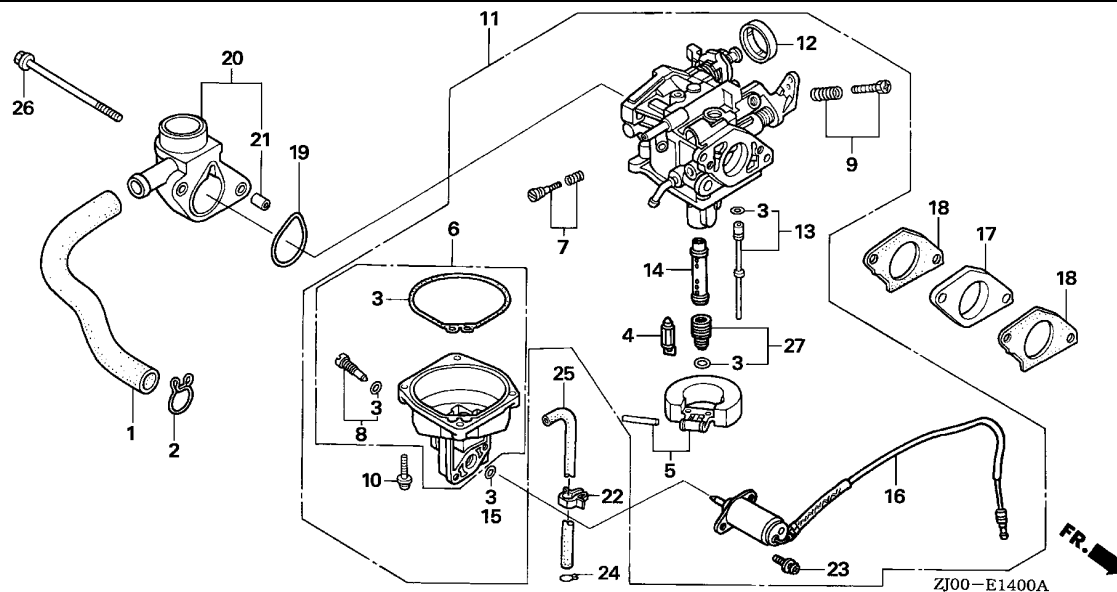


Ref. No.	L.O.N.	(Relative ref. Number) Description	F.R.T.
1	1111K5	TUBE, BREATHER .....	0.2
3	3111B1	GASKET SET, CARBURETOR .....	0.8
4	3111E1	VALVE SET, FLOAT AND/OR FLOAT SET .....	0.7
6	3111A3	CHAMBER SET, FLOAT AND/OR GASKET, FLOAT CHAMBER .....	0.7
7	3111D7	SCREW SET, PILOT .....	0.2
11	3111F3	CARBURETOR .....	0.6
16	6211C0	VALVE, CARBURETOR SOLENOID .....	0.5
17	3111C0	INSULATOR, CARBURETOR AND/OR PACKING, INSULATOR .....	0.4
18	3111C8	PACKING, CARBURETOR .....	0.4
19	3121D9	PACKING, AIR CLEANER .....	0.2
20	3121B4	ELBOW, AIR CLEANER .....	0.2
27	3111C3	JET, MAIN .....	0.7

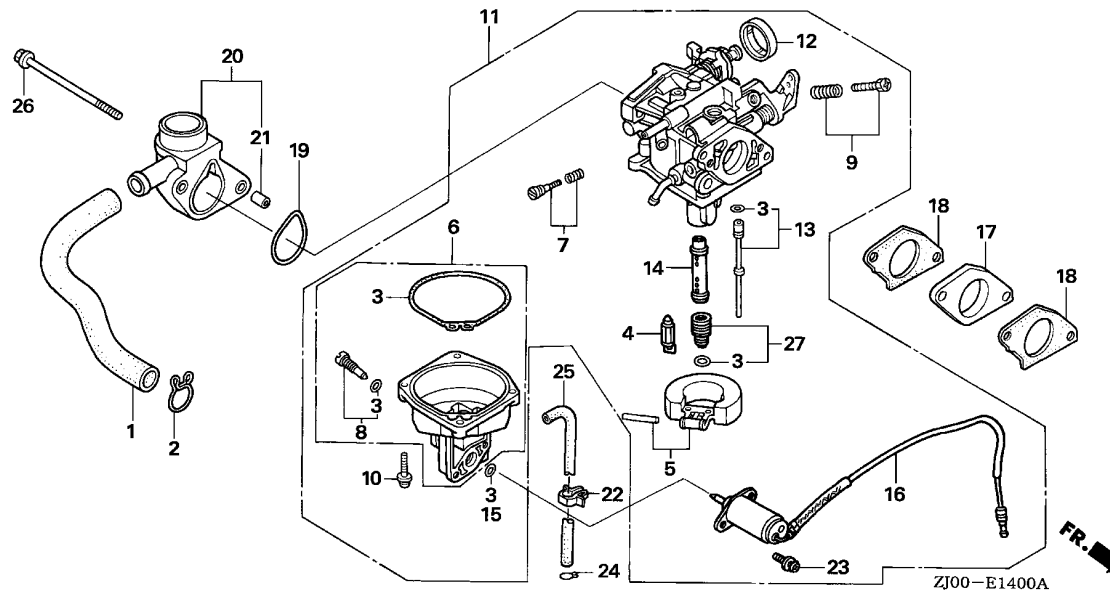
Ref. No.	Part No.	Description	Reqd. QTY				Serial No.	Parts catalogue code
			GX 610	GX 610	GX 610	GX 610		
1	12357-ZJ1-000	TUBE, BREATHER .....	1	1	-	-		
2	15772-551-000	CLIP, BREATHER TUBE .....	1	1	-	-		
3	16010-ZG8-000	GASKET SET .....	1	-	-	-	PZE,QAC6,QAF,QAF2,QDA1,QDE,QDE1,QDE6,QDF,QDF2,QDF6,QDW,QXE4,QXF6,QYF,QZA,QZA1,QZA6,QZB,QZE,QZE4,QZE6,QZF,QZF1,QZF6,TFX2,VD,VXA3,VXD,VXE,VXE1,VXE3,VXE4,VZA,VZA1,VZA4	
	(CARBURETOR NO.)		1	-	-	-	BG21A B QZD1	
	16010-ZJ4-800	.....	1	-	-	-	QZD,QZX4	
	(CARBURETOR NO.)		1	-	-	-	BG21D A QZD1	
4	16011-GK0-891	VALVE SET, FLOAT .....	1	1	-	-		
5	16013-ZV4-005	FLOAT SET .....	1	1	-	-		
6	16015-ZJ1-000	CHAMBER SET, FLOAT .....	1	-	-	-	PZE,QAC6,QAF,QAF2,QDA1,QDE,QDE1,QDE6,QDF,QDF2,QDF6,QDW,QXE4,QXF6,QYF,QZA,QZA1,QZA6,QZB,QZE,QZE4,QZE6,QZF,QZF1,QZF6,TFX2,VD,VXA3,VXD,VXE,VXE1,VXE3,VXE4,VZA,VZA1,VZA4	
	(CARBURETOR NO.)		1	-	-	-	BG21A B QZD1	
	16015-ZJ4-800	.....	1	-	-	-	QZD,QZX4	
	(CARBURETOR NO.)		1	-	-	-	BG21D A QZD1	
7	16016-ZJ1-000	SCREW SET .....	1	-	-	-	BG21A A QAF,QDE,QDF,QYF,QZA,QZB,QZE,QZF,VXE,VZA	
	(CARBURETOR NO.)		-	1	-	-	BG21A A	
	16016-ZJ1-010	.....	1	-	-	-	PZE,QAC6,QDA1,QDE1,QDE6,QDF2,QDF6,QDW,QXF6,QZA1,QZA6,QZD,QZE4,QZE6,QZF1,QZF6,QZX4,VD,VXA3,VXD,VXE1,VXE3,VXE4,VZA1,VZA4	
	(CARBURETOR NO.)		1	-	-	-	BG21A B QAF,QDE,QDF,QYF,QZA,QZB,QZE,QZF,VXE,VZA	
	///		1	-	-	-	BG21A B QZD1,TFX2	
	///		1	-	-	-	BG21A C QXE4	
	///		-	1	-	-	BG21A B	

Ref. No.	Part No.	Description	Reqd. QTY				Serial No.	Parts catalogue code
			GX 610	GX 610	GX 610 K1	GX 610		
			(1)	(2)	(3)			
(7)	16016-ZG8-L50	SCREW SET ..... (CARBURETOR NO.)	1	-	-	-	QAF2	
		///	1	-	-	BG21C A	TXF2	
		///	1	-	-	BG21D A	QZD1	
		///	1	-	-	BG21F A	QXE4	
8	16024-124-760	SCREW SET, DRAIN .....	1	1	-	-		
9	16028-ZJ1-000	SCREW SET ..... (CARBURETOR NO.)	1	-	-	-		
	16028-ZG8-000	.....	1	-	-	-		
		(CARBURETOR NO.)	1	-	-	BG21A A	QAF,QDE,QDF,QYF,QZA,QZB,QZE,QZF,VXE,VZA	
			1	-	-	-	PZE,QAC6,QAF,QDA1,QDE1,QDE6,QDF2,QDF6,QDW,QXE4,QXF6,QZA1,QZA6	
							QZD,QZD1,QZE4,QZE6,QZF1,QZF6,QZX4,TFX2,VD,VXA3,VXD,VXE1,VXE3	
							VXE4,VZA1,VZA4	
			1	-	-	BG21A B	QAF,QDE,QDF,QYF,QZA,QZB,QZE,QZF,VXE,VZA	
10	16081-ZV4-650	SCREW-WASHER .....	4	4	-	-		
11	16100-ZJ0-V10	CARBURETOR ASSY. (BG21B A) ..	1	-	-	-	1014667 QZD,QZX4	
	16100-ZJ0-V11	CARBURETOR ASSY. (BG21B B) ..	1	-	-	-	1014668 QZD,QZX4	
	16100-ZJ0-010	CARBURETOR ASSY. (BG21A A/B)	1	-	-	-	1010092 QZD1,TFX2	
			1	-	-	-	1014667 PZE,QAC6,QAF,QDA1,QDE,QDE1,QDE6,QDF,QDF6,QDW,QXE4,QXF6,QYF,QZA	
							QZA1,QZB,QZE,QZE4,QZE6,QZF,QZF6	
	16100-ZJ0-023	CARBURETOR ASSY. (BG21A C) ..	1	-	-	-	QDF2,QZA6,QZF1	
			1	-	-	1014668	PZE,QAC6,QAF,QDA1,QDE,QDE1,QDE6,QDF,QDF6,QDW,QXF6,QYF,QZA,QZA1	
							QZB,QZE,QZE4,QZE6,QZF,QZF6	
			1	-	-	1014668	1017229 QXE4	
	16100-ZJ0-U60	CARBURETOR ASSY. (BG21C A) ..	1	-	-	-	1010093 1014667 TFX2	
	16100-ZJ0-U61	CARBURETOR ASSY. (BG21C B) ..	1	-	-	-	1014668 TFX2	
	16100-ZJ0-U70	CARBURETOR ASSY. (BG21D A) ..	1	-	-	-	1010093 1014667 QZD1	
	16100-ZJ0-U71	CARBURETOR ASSY. (BG21D B) ..	1	-	-	-	1014668 QZD1	
	16100-ZJ0-V91	CARBURETOR ASSY. (BG21F A) ..	1	-	-	-	1014667 QAF2	
	16100-ZJ0-V92	CARBURETOR ASSY. (BG21F B) ..	1	-	-	-	1014668 QAF2	
			1	-	-	-	1017230 QXE4	
	16100-ZJ0-891	CARBURETOR ASSY. (BG21E A) ..	1	-	-	-	1014667 VXA3,VXE,VXE1,VXE4,VZA,VZA4	
	16100-ZJ0-892	CARBURETOR ASSY. (BG21E B) ..	1	-	-	-	VD,VXD,VXE3,VZA1	
			1	-	-	-	1014668 VXA3,VXE,VXE1,VXE4,VZA,VZA4	
12	16148-141-881	CAP, CHOKE DUST .....	1	1	-	-		
13	16151-ZJ0-020	JET SET, #60 .....	1	-	-	-	PZE,QDF2,QDW,QZA6,QZD,QZF1,QZX4,VD,VXA3,VXD,VXE,VXE1,VXE3,VXE4	
		(CARBURETOR NO.)	1	-	-	-	VZA,VZA1,VZA4	
		///	1	-	-	-	BG21A B QZD1,TFX2	
		///	1	-	-	-	BG21B B QAC6,QAF,QDA1,QDE,QDE1,QDE6,QDF,QDF6,QXE4,QXF6,QYF,QZA,QZA1	
							QZB,QZE,QZE4,QZE6,QZF,QZF6	
	16150-ZJ1-010	JET SET, #45 .....	-	1	-	-		
		(CARBURETOR NO.)	1	-	-	-	BG21B C QAC6,QAF,QDA1,QDE,QDE1,QDE6,QDF,QDF6,QXF6,QYF,QZA,QZA1,QZB,QZE	
							QZE4,QZE6,QZF,QZF6	
		///	1	-	-	-	BG21A B BG21A C QXE4	
	16150-ZG8-010	JET SET, #50 .....	1	-	-	-	QAF2	
		(CARBURETOR NO.)	1	-	-	-	BG21C A TFX2	
		///	1	-	-	-	BG21D A QZD1	
		///	1	-	-	-	BG21F B QXE4	
14	16166-ZJ1-010	NOZZLE, MAIN .....	1	-	-	-	BG21A A QAF,QDA1,QDE,QDE1,QDF,QYF,QZA,QZB,QZE,QZF,VXE,VZA	
		(CARBURETOR NO.)	-	1	-	-	BG21A A	
	16166-ZJ0-000	.....	1	-	-	-	PZE,QAF2,QDF2,QDW,QZA6,QZD,QZD1,QZF1,QZX4,TFX2,VD,VXA3,VXD	
							VXE1,VXE3,VXE4,VZA1,VZA4	
		(CARBURETOR NO.)	1	-	-	-	BG21A B QAF,QDA1,QDE,QDE1,QDF,QYF,QZA,QZB,QZE,QZF,VXE,VZA	
		///	1	-	-	-	BG21B A QAC6,QDE6,QDF6,QXE4,QXF6,QZA1,QZE4,QZE6,QZF6	
		///	-	1	-	-	BG21A B	





Ref. No.	Part No.	Description	Reqd. QTY				Serial No.	Parts catalogue code
			GX 610	GX 610	GX 610 K1	GX 610		
14)	16166-ZJ1-010	NOZZLE, MAIN (CARBURETOR NO.)	1	-	-	-	BG21B B	----- QAC6,QDE6,QDF6,QXE4,QXF6,QZA1,QZE4,QZE6,QZF6
15	16178-548-004	O-RING, 5.8X1.9  (CARBURETOR NO.)	1	-	-	-	-----	----- PZE,QAC6,QAF,QAF2,QDA1,QDE,QDE1,QDE6,QDF,QDF2,QDF6,QDW,QXE4 QXF6,QYF,QZA,QZA1,QZA6,QZB,QZE,QZE4,QZE6,QZF,QZF1,QZF6,TXF2,VD VXA3,VXD,VXE,VXE1,VXE3,VXE4,VZA,VZA1,VZA4
			1	-	-	-	-----	----- BG21A B QZD1
			-	1	-	-		
16	16200-ZJ1-003	VALVE ASSY., SOLENOID  (CARBURETOR NO.)	1	-	-	-	-----	----- PZE,QAC6,QAF,QAF2,QDA1,QDE,QDE1,QDE6,QDF,QDF2,QDF6,QDW,QXE4 QXF6,QYF,QZA,QZA1,QZA6,QZB,QZE,QZE4,QZE6,QZF,QZF1,QZF6,TXF2,VD VXA3,VXD,VXE,VXE1,VXE3,VXE4,VZA,VZA1,VZA4
			1	-	-	-	-----	----- BG21A B QZD1
			-	1	-	-		
17	16211-ZJ1-000	INSULATOR, CARBURETOR	1	1	-	-		
18	16221-ZG8-000	PACKING, CARBURETOR	2	2	-	-		
19	17228-ZG8-003	PACKING, AIR CLEANER	1	1	-	-		
20	17410-ZJ1-000	ELBOW COMP., AIR CLEANER	1	1	-	-		
21	19024-ZA0-000	COLLAR, DISTANCE	2	2	-	-		
22	90682-959-661	CLIP B, CABLE	1	1	-	-		
23	93892-05012-18	SCREW-WASHER, 5X12  (CARBURETOR NO.)	2	-	-	-	-----	----- PZE,QAC6,QAF,QAF2,QDA1,QDE,QDE1,QDE6,QDF,QDF2,QDF6,QDW,QXE4 QXF6,QYF,QZA,QZA1,QZA6,QZB,QZE,QZE4,QZE6,QZF,QZF1,QZF6,TXF2,VD VXA3,VXD,VXE,VXE1,VXE3,VXE4,VZA,VZA1,VZA4
			2	-	-	-	-----	----- BG21A B QZD1
			-	2	-	-		
24	95002-02080	CLIP, TUBE (B8)	1	1	-	-		
25	95005-45460-20	TUBE, 4.5X460(95005-45001-20M)	1	1	-	-		



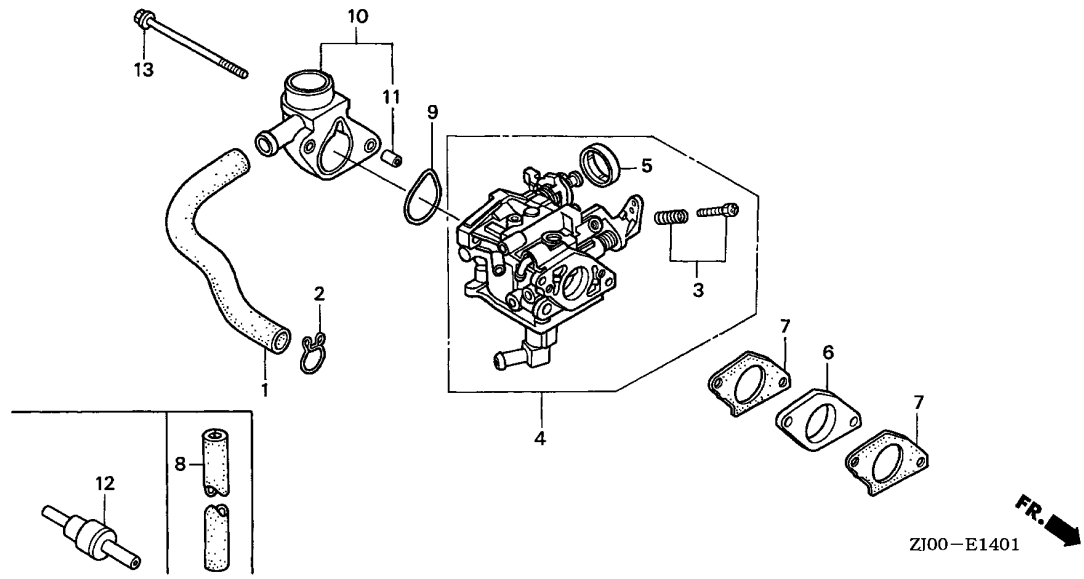
Ref. No.	Part No.	Description	Reqd. QTY				Serial No.	Parts catalogue code	
			GX 610	GX 610	GX 610	GX 610			
26	95801-06105-08	BOLT, FLANGE, 6X105	2	2	-	-			
27	99201-ZG8-0820	JET SET, MAIN, #82	(1)	-	-	-	-----	PZE,QAC6,QAF,QAF2,QDA1,QDE,QDE1,QDE6,QDF,QDF2,QDF6,QDW,QXF6,QYF,QZA,QZA1,QZA6,QZB,QZD,QZD1,QZE,QZE4,QZE6,QZF,QZF1,QZF6,QZX4,TXF2,VD,VXA3,VXD,VXE,VXE1,VXE3,VXE4,VZA,VZA1,VZA4	
	(CARBURETOR NO.)		(1)	-	-	-	-----	BG21A C QXE4	
	99201-ZG8-0850	JET SET, MAIN, #85	(1)	-	-	-	-----	PZE,QAC6,QAF,QAF2,QDA1,QDE,QDE1,QDE6,QDF,QDF2,QDF6,QDW,QXF6,QYF,QZA,QZA1,QZA6,QZB,QZD,QZD1,QZE,QZE4,QZE6,QZF,QZF1,QZF6,QZX4,TXF2,VD,VXA3,VXD,VXE,VXE1,VXE3,VXE4,VZA,VZA1,VZA4	
	(CARBURETOR NO.)		(1)	-	-	-	-----	BG21A C QXE4	
	99201-ZG8-0880	JET SET, MAIN, #88	1	-	-	-	-----	PZE,QAC6,QAF,QAF2,QDA1,QDE,QDE1,QDE6,QDF,QDF2,QDF6,QDW,QXE4,QXF6,QYF,QZA,QZA1,QZA6,QZB,QZE,QZE4,QZE6,QZF,QZF1,QZF6,TXF2,VD,VXA3,VXD,VXE,VXE1,VXE3,VXE4,VZA,VZA1,VZA4	
	(CARBURETOR NO.)		1	-	-	-	-----	BG21A B QZD1	
	99101-ZJ4-0820	JET, MAIN, #82	(1)	-	-	-	-----	QZX4	
	(CARBURETOR NO.)		(1)	-	-	-	BG21F B	-----	QXE4
	99101-ZJ4-0850	JET, MAIN, #85	(1)	-	-	-	-----	QZX4	
	(CARBURETOR NO.)		(1)	-	-	-	BG21F B	-----	QXE4
	99101-ZJ4-0880	JET, MAIN, #88	1	-	-	-	-----	QZD,QZX4	
	(CARBURETOR NO.)		1	-	-	-	BG21D A	-----	QZD1



E-14-1

CARBURETOR(2)

G 2



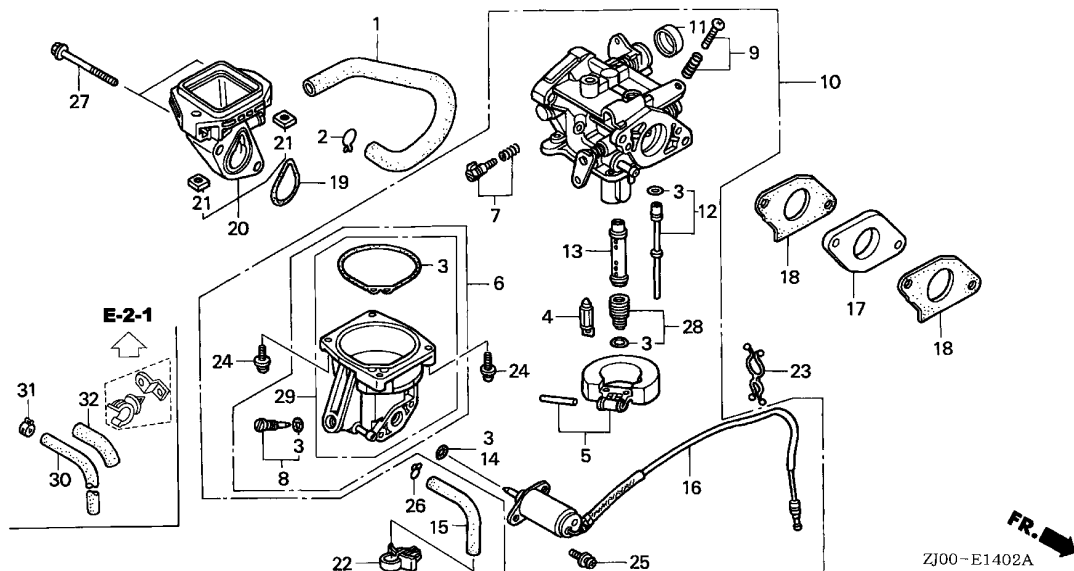
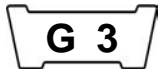
Ref. No.	L.O.N.	(Relative ref. Number) Description	F.R.T.
1	1111K5	TUBE, BREATHER .....	0.2
4	3111F3	CARBURETOR .....	0.6
6	3111C0	INSULATOR, CARBURETOR AND/OR PACKING, INSULATOR .....	0.4
7	3111C8	PACKING, CARBURETOR .....	0.4
9	3121D9	PACKING, AIR CLEANER .....	0.2
10	3121B4	ELBOW, AIR CLEANER .....	0.2
12	311175	VALVE, DASHPOT CHECK .....	0.1

2

Ref. No.	Part No.	Description	Reqd. QTY				Serial No.	Parts catalogue code
			GX 610	GX 610	GX 610 K1	GX 610		
1	12357-ZJ1-000	TUBE, BREATHER .....	-	-	-	1		
2	15772-551-000	CLIP, BREATHER TUBE .....	-	-	-	1		
3	16028-ZG8-000	SCREW SET .....	-	-	-	1		
4	16100-ZJ0-801	CARBURETOR ASSY. (BGL0A A) ..	-	-	-	1		
5	16148-141-881	CAP, CHOKE DUST .....	-	-	-	1		
6	16211-ZJ1-000	INSULATOR, CARBURETOR .....	-	-	-	1		
7	16221-ZG8-000	PACKING, CARBURETOR .....	-	-	-	2		
8	16854-ZJ1-800	RUBBER, SUPPORTER .....	-	-	-	1		
9	17228-ZG8-003	PACKING, AIR CLEANER .....	-	-	-	1		
10	17410-ZJ1-000	ELBOW COMP., AIR CLEANER .....	-	-	-	1	----- QAFP,VXEP	
	17410-ZJ1-820	.....	-	-	-	1	----- QAFU	
11	19024-ZA0-000	COLLAR, DISTANCE .....	-	-	-	2		
12	36135-PH3-004	VALVE, DASHPOT CHECK .....	-	-	-	(1)		
13	95801-06105-08	BOLT, FLANGE, 6X105 .....	-	-	-	2		

E-14-2

CARBURETOR(3)

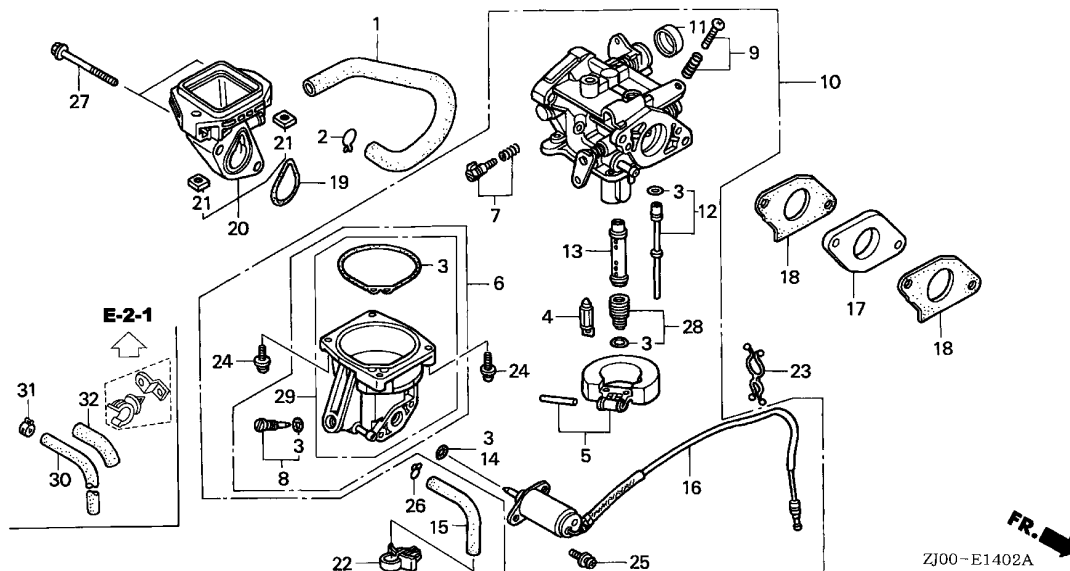


Ref. No.	L.O.N.	(Relative ref. Number) Description	F.R.T.
1	1111K5	TUBE, BREATHER .....	0.2
3	3111B1	GASKET SET, CARBURETOR .....	0.8
4	3111E1	VALVE SET, FLOAT AND/OR FLOAT SET .....	0.7
6	3111A3	CHAMBER SET, FLOAT AND/OR GASKET, FLOAT CHAMBER .....	0.7
7	3111D7	SCREW SET, PILOT .....	0.2
10	3111F3	CARBURETOR .....	0.6
16	6211C0	VALVE, CARBURETOR SOLENOID ...	0.5
17	3111C0	INSULATOR, CARBURETOR AND/OR PACKING, INSULATOR .....	0.4
18	3111C8	PACKING, CARBURETOR .....	0.4
19	3121D9	PACKING, AIR CLEANER .....	0.2
20	3121B4	ELBOW, AIR CLEANER .....	0.2
28	3111C3	JET, MAIN .....	0.7

Ref. No.	Part No.	Description	Reqd. QTY				Serial No.	Parts catalogue code
			GX 610	GX 610	GX 610	GX 610		
1	12357-ZJ1-840	TUBE, BREATHER .....	-	-	1	-		
2	15772-551-000	CLIP, BREATHER TUBE .....	-	-	1	-		
3	16010-ZG8-000	GASKET SET .....	-	-	1	-	PZE,PZE/A,QAD2,QAD2/A,QAF,QAF/A,QAF2,QAF2/A,QDE,QDE/A,QDF,QDF/A,QDF2,QDF2/A,QDF6,QDF6/A,QDW,QDW/A,QDX2,QDX2/A,QWF,QWF/A,QYF,QYF/A,QZA,QZA/A,QZA6,QZA6/A,QZB,QZB/A,QZB2,QZB2/A,QZE,QZE/A,QZE3,QZE3/A,QZE4,QZE4/A,QZE6,QZE6/A,QZF,QZF/A,QZF1,QZF1/A,QZF8,QZF8/A,TXF2,TXF2/A,VDF2,VDF2/A,VEP4,VEP4/A,VXD,VXD/A,VXE,VXE/A,VXE1,VXE1/A,VXE3,VXE3/A,VXE4,VXE4/A,VZA,VZA/A,VZA1,VZA1/A,VZE1,VZE1/A	
		(CARBURETOR NO.) .....	-	-	1	-	BG21N A VD	
	16010-ZJ0-911	.....	-	-	1	-	QZX5,QZX5/A,VD/A	
		(CARBURETOR NO.) .....	-	-	1	-	BG21Q A VD	
	16010-ZJ1-851	.....	-	-	1	-	SWD,SWD/A	
	16010-ZJ4-800	.....	-	-	1	-	VZA2,VZA2/A	
4	16011-KCK-910	VALVE SET, FLOAT .....	-	-	1	-		
5	16013-ZV4-005	FLOAT SET .....	-	-	1	-		
6	16015-ZJ1-841	CHAMBER SET, FLOAT .....	-	-	1	-	PZE,PZE/A,QAD2,QAD2/A,QAF,QAF/A,QAF2,QAF2/A,QDE,QDE/A,QDF,QDF/A,QDF2,QDF2/A,QDF6,QDF6/A,QDW,QDW/A,QDX2,QDX2/A,QWF,QWF/A,QYF,QYF/A,QZA,QZA/A,QZA6,QZA6/A,QZB,QZB/A,QZB2,QZB2/A,QZE,QZE/A,QZE3,QZE3/A,QZE4,QZE4/A,QZE6,QZE6/A,QZF,QZF/A,QZF1,QZF1/A,QZF8,QZF8/A,TXF2,TXF2/A,VDF2,VDF2/A,VEP4,VEP4/A,VXD,VXD/A,VXE,VXE/A,VXE1,VXE1/A,VXE3,VXE3/A,VXE4,VXE4/A,VZA,VZA/A,VZA1,VZA1/A,VZE1,VZE1/A	
		(CARBURETOR NO.) .....	-	-	1	-	BG21N A VD	
	16015-ZJ1-W01	.....	-	-	1	-	QZX5,QZX5/A,VD/A	
		(CARBURETOR NO.) .....	-	-	1	-	BG21Q A VD	
	16015-ZJ4-841	.....	-	-	1	-	VZA2,VZA2/A	



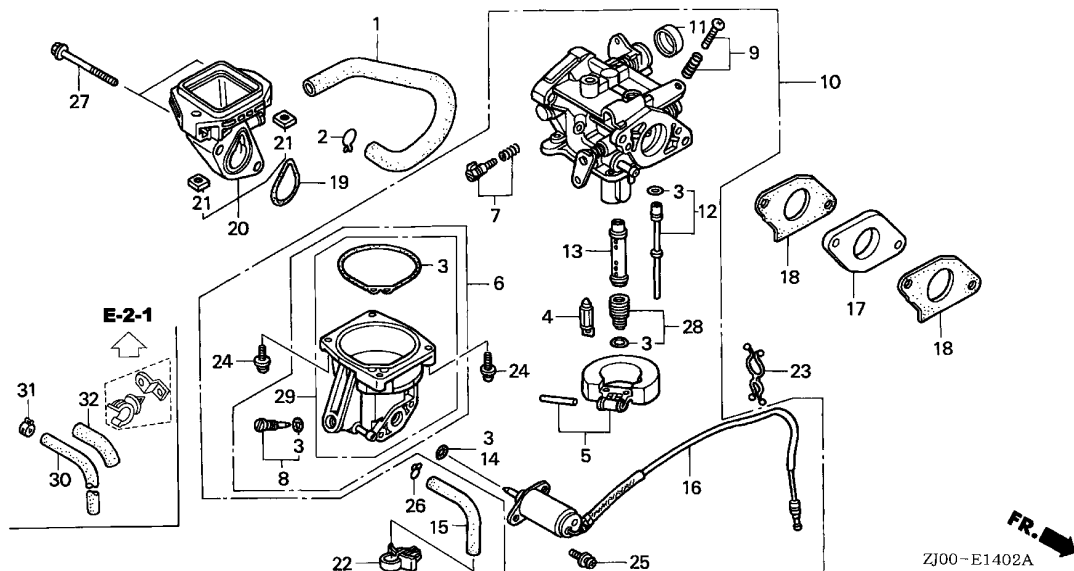




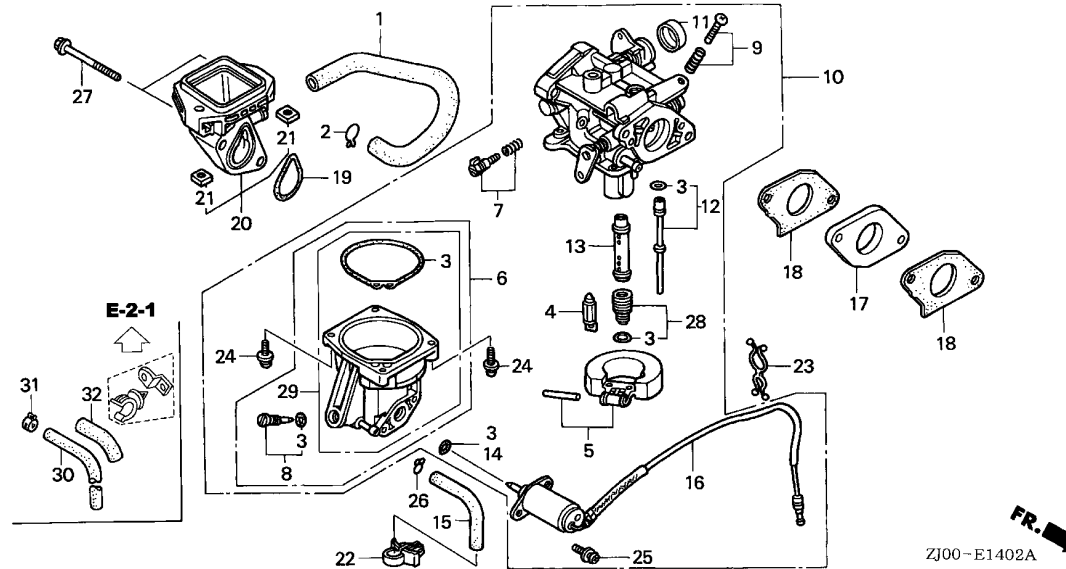
Ref. No.	Part No.	Description	Reqd. QTY				Serial No.	Parts catalogue code
			GX 610	GX 610	GX 610	GX 610		
			(1)	(2)	K1	(3)		
7	16016-ZJ1-010	SCREW SET .....	-	-	1	-		
8	16024-124-760	SCREW SET, DRAIN .....	-	-	1	-	PZE,PZE/A,QAD2,QAD2/A,QAF,QAF/A,QAF2,QAF2/A,QDE,QDE/A,QDF,QDF/A,QDF2,QDF2/A,QDF6,QDF6/A,QDW,QDW/A,QDX2,QDX2/A,QWF,QWF/A,QYF,QYF/A,QZA,QZA/A,QZA6,QZA6/A,QZB,QZB/A,QZB2,QZB2/A,QZE,QZE/A,QZE3,QZE3/A,QZE4,QZE4/A,QZE6,QZE6/A,QZF,QZF/A,QZF1,QZF1/A,QZF8,QZF8/A,QZX5,QZX5/A,TXF2,TXF2/A,VD,VD/A,VDF2,VDF2/A,VEP4,VEP4/A,VXD,VXD/A,VXE,VXE/A,VXE1,VXE1/A,VXE3,VXE3/A,VXE4,VXE4/A,VZA,VZA/A,VZA1,VZA1/A,VZA2,VZA2/A,VZE1,VZE1/A	
9	16028-ZG8-000	SCREW SET .....	-	-	1	-		
10	16100-ZJ0-831	CARBURETOR ASSY. (BG21H A) ..	-	-	1	-	PZE,PZE/A,QAD2,QAD2/A,QAF,QAF/A,QDE,QDE/A,QDF,QDF/A,QDF2,QDF2/A,QDF6,QDF6/A,QDW,QDW/A,QDX2,QDX2/A,QWF,QWF/A,QYF,QYF/A,QZA,QZA/A,QZA6,QZA6/A,QZB,QZB/A,QZB2,QZB2/A,QZE,QZE/A,QZE3,QZE3/A,QZE4,QZE4/A,QZE6,QZE6/A,QZF,QZF/A,QZF1,QZF1/A,QZF8,QZF8/A,VDF2,VDF2/A,VEP4,VEP4/A,VXE,VXE/A,VXE1,VXE1/A,VXE3,VXE3/A,VXE4,VXE4/A,VZA,VZA/A,VZA1,VZA1/A,VZA2,VZA2/A,VZE1,VZE1/A	
	16100-ZJ0-871	CARBURETOR ASSY. (BG21M A) ..	-	-	1	-	QAF2,QAF2/A,TXF2,TXF2/A	
	16100-ZJ0-881	CARBURETOR ASSY. (BG21N A) ..	-	-	1	-	VXD,VXD/A 2014887 VD	
	16100-ZJ0-901	CARBURETOR ASSY. (BG21P A) ..	-	-	1	-	VZA2,VZA2/A	
	16100-ZJ0-911	CARBURETOR ASSY. (BG21Q A) ..	-	-	1	-	VD/A	
	16100-ZJ0-921	CARBURETOR ASSY. (BG21R A) ..	-	-	1	2014888	VD	
	16100-ZJ0-852	CARBURETOR ASSY. (BG21J B) ..	-	-	1	-	QZX5,QZX5/A SWD,SWD/A	
11	16148-141-881	CAP, CHOKE DUST .....	-	-	1	-		

Ref. No.	Part No.	Description	Reqd. QTY				Serial No.	Parts catalogue code
			GX 610	GX 610	GX 610 K1	GX 610		
			(1)	(2)	(3)			
12	16150-ZJ0-831	JET SET, #58 .....	-	-	1	-	PZE,PZE/A,QAD2,QAD2/A,QAF,QAF/A,QDE,QDE/A,QDF,QDF/A,QDF2,QDF2/A,QDF6,QDF6/A,QDW,QDW/A,QDX2,QDX2/A,QWF,QWF/A,QYF,QYF/A,QZA,QZA/A,QZA6,QZA6/A,QZB,QZB/A,QZB2,QZB2/A,QZE,QZE/A,QZE3,QZE3/A,QZE4,QZE4/A,QZE6,QZE6/A,QZF,QZF/A,QZF1,QZF1/A,QZF8,QZF8/A,QZX5,QZX5/A,SWD,SWD/A,VD,VD/A,VDF2,VDF2/A,VEP4,VEP4/A,VXD,VXD/A,VXE,VXE/A,VXE1,VXE1/A,VXE3,VXE3/A,VXE4,VXE4/A,VZA,VZA/A,VZA1,VZA1/A,VZA2,VZA2/A,VZE1,VZE1/A	
	16150-ZJ1-841	JET SET, #52 .....	-	-	1	-	QAF2,QAF2/A,TXF2,TXF2/A	
13	16166-ZJ0-831	NOZZLE, MAIN .....	-	-	1	-	PZE,PZE/A,QAD2,QAD2/A,QAF,QAF/A,QDE,QDE/A,QDF,QDF/A,QDF2,QDF2/A,QDF6,QDF6/A,QDW,QDW/A,QDX2,QDX2/A,QWF,QWF/A,QYF,QYF/A,QZA,QZA/A,QZA6,QZA6/A,QZB,QZB/A,QZB2,QZB2/A,QZE,QZE/A,QZE3,QZE3/A,QZE4,QZE4/A,QZE6,QZE6/A,QZF,QZF/A,QZF1,QZF1/A,QZF8,QZF8/A,QZX5,QZX5/A,SWD,SWD/A,VD,VD/A,VDF2,VDF2/A,VEP4,VEP4/A,VXD,VXD/A,VXE,VXE/A,VXE1,VXE1/A,VXE3,VXE3/A,VXE4,VXE4/A,VZA,VZA/A,VZA1,VZA1/A,VZA2,VZA2/A,VZE1,VZE1/A	
	16166-ZJ0-871	.....	-	-	1	-	QAF2,QAF2/A,TXF2,TXF2/A	
14	16178-ZJ0-911	O-RING .....	-	-	1	-	QZX5,QZX5/A,VD/A	
		(CARBURETOR NO.) .....	-	-	1	BG21Q A	VD	
	16178-548-004	O-RING, 5.8X1.9 .....	-	-	1	-	PZE,PZE/A,QAD2,QAD2/A,QAF,QAF/A,QAF2,QAF2/A,QDE,QDE/A,QDF,QDF/A,QDF2,QDF2/A,QDF6,QDF6/A,QDW,QDW/A,QDX2,QDX2/A,QWF,QWF/A,QYF,QYF/A,QZA,QZA/A,QZA6,QZA6/A,QZB,QZB/A,QZB2,QZB2/A,QZE,QZE/A,QZE3,QZE3/A,QZE4,QZE4/A,QZE6,QZE6/A,QZF,QZF/A,QZF1,QZF1/A,QZF8,QZF8/A,SWD,SWD/A,TXF2,TXF2/A,VDF2,VDF2/A,VEP4,VEP4/A,VXD,VXD/A,VXE,VXE/A,VXE1,VXE1/A,VXE3,VXE3/A,VXE4,VXE4/A,VZA,VZA/A,VZA1,VZA1/A,VZE1,VZE1/A	
		(CARBURETOR NO.) .....	-	-	1	BG21N A	VD	
15	16198-ZJ1-840	TUBE, DRAIN .....	-	-	1	-	PZE,PZE/A,QAD2,QAD2/A,QAF,QAF/A,QAF2,QAF2/A,QDE,QDE/A,QDF,QDF/A,QDF2,QDF2/A,QDF6,QDF6/A,QDW,QDW/A,QDX2,QDX2/A,QWF,QWF/A,QYF,QYF/A,QZA,QZA/A,QZA6,QZA6/A,QZB,QZB/A,QZB2,QZB2/A,QZE,QZE/A,QZE3,QZE3/A,QZE4,QZE4/A,QZE6,QZE6/A,QZF,QZF/A,QZF1,QZF1/A,QZF8,QZF8/A,QZX5,QZX5/A,TXF2,TXF2/A,VD,VD/A,VDF2,VDF2/A,VEP4,VEP4/A,VXD,VXD/A,VXE,VXE/A,VXE1,VXE1/A,VXE3,VXE3/A,VXE4,VXE4/A,VZA,VZA/A,VZA1,VZA1/A,VZE1,VZE1/A	
		(CARBURETOR NO.) .....	-	-	1	BG21N A	VD	
	16200-ZJ0-841	.....	-	-	1	-	QZX5,QZX5/A,VD/A	
		(CARBURETOR NO.) .....	-	-	1	BG21Q A	VD	
17	16211-ZJ0-841	INSULATOR, CARBURETOR .....	-	-	1	-		
18	16221-ZJ1-840	PACKING, CARBURETOR .....	-	-	2	-		
19	17228-ZG8-003	PACKING, AIR CLEANER .....	-	-	1	-		
20	17410-ZJ1-840	ELBOW COMP., AIR CLEANER .....	-	-	1	-		
21	90314-ZJ1-840	NUT, INSERT, 6MM .....	-	-	2	-		
22	90682-959-661	CLIP B, CABLE .....	-	-	1	-		
23	91402-ZJ1-841	CLIP, PURSE LOCK .....	-	-	1	-		
24	93892-04014-18	SCREW-WASHER, 4X14 .....	-	-	4	-		



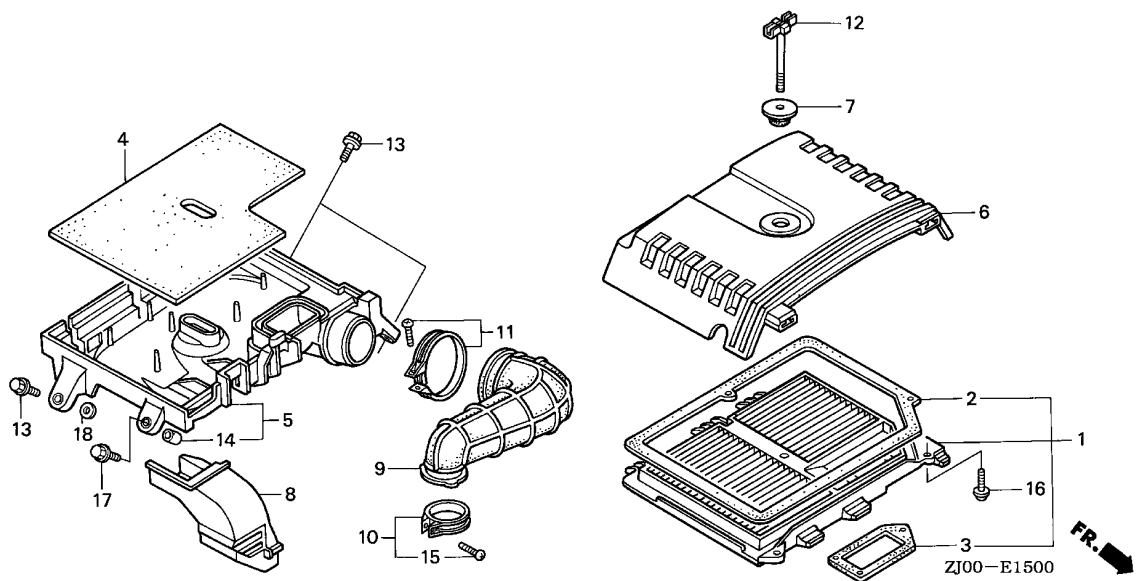


Ref. No.	Part No.	Description	Reqd. QTY				Serial No.	Parts catalogue code
			GX 610	GX 610	GX 610 K1	GX 610 (3)		
25	93892-05012-18	SCREW-WASHER, 5X12	-	-	2	-	PZE,PZE/A,QAD2,QAD2/A,QAF,QAF/A,QAF2,QAF2/A,QDE,QDE/A,QDF,QDF/A,QDF2,QDF2/A,QDF6,QDF6/A,QDW,QDW/A,QDX2,QDX2/A,QWF,QWF/A,QYF,QYF/A,QZA,QZA/A,QZA6,QZA6/A,QZB,QZB/A,QZB2,QZB2/A,QZE,QZE/A,QZE3,QZE3/A,QZE4,QZE4/A,QZE6,QZE6/A,QZF,QZF/A,QZF1,QZF1/A,QZF8,QZF8/A,QZX5,QZX5/A,SWD,SWD/A,TXF2,TXF2/A,VD,VD/A,VDF2,VDF2/A,VEP4,VEP4/A,VXD,VXD/A,VXE,VXE/A,VXE1,VXE1/A,VXE3,VXE3/A,VXE4,VXE4/A,VZA,VZA/A,VZA1,VZA1/A,VZE1,VZE1/A	
26	95002-02080	CLIP, TUBE (B8)	-	-	1	-		
27	95801-06120-00	BOLT, FLANGE, 6X120	-	-	2	-		
28	99201-ZG8-0880	JET SET, MAIN, #88	-	-	(1)	-	PZE,PZE/A,QAD2,QAD2/A,QAF,QAF/A,QDE,QDE/A,QDF,QDF/A,QDF2,QDF2/A,QDF6,QDF6/A,QDW,QDW/A,QDX2,QDX2/A,QWF,QWF/A,QYF,QYF/A,QZA,QZA/A,QZA6,QZA6/A,QZB,QZB/A,QZB2,QZB2/A,QZE,QZE/A,QZE3,QZE3/A,QZE4,QZE4/A,QZE6,QZE6/A,QZF,QZF/A,QZF1,QZF1/A,QZF8,QZF8/A,QZX5,SWD,SWD/A,VD,VD/A,VDF2,VDF2/A,VEP4,VEP4/A,VXD,VXD/A,VXE,VXE/A,VXE1,VXE1/A,VXE3,VXE3/A,VXE4,VXE4/A,VZA,VZA/A,VZA1,VZA1/A,VZE1,VZE1/A	
	99201-ZG8-0900	JET SET, MAIN, #90	-	-	(1)	-	PZE,PZE/A,QAD2,QAD2/A,QAF,QAF/A,QAF2,QAF2/A,QDE,QDE/A,QDF,QDF/A,QDF2,QDF2/A,QDF6,QDF6/A,QDW,QDW/A,QDX2,QDX2/A,QWF,QWF/A,QYF,QYF/A,QZA,QZA/A,QZA6,QZA6/A,QZB,QZB/A,QZB2,QZB2/A,QZE,QZE/A,QZE3,QZE3/A,QZE4,QZE4/A,QZE6,QZE6/A,QZF,QZF/A,QZF1,QZF1/A,QZF8,QZF8/A,QZX5,SWD,SWD/A,TXF2,TXF2/A,VD,VD/A,VDF2,VDF2/A,VEP4,VEP4/A,VXD,VXD/A,VXE,VXE/A,VXE1,VXE1/A,VXE3,VXE3/A,VXE4,VXE4/A,VZA,VZA/A,VZA1,VZA1/A,VZA2/VZA2/A,VZE1,VZE1/A	



Ref. No.	Part No.	Description	Reqd. QTY				Serial No.	Parts catalogue code
			GX 610	GX 610	GX 610 K1	GX 610 (3)		
28)	99201-ZG8-0920	JET SET, MAIN, #92 .....	-	-	1	-	PZE,PZE/A,QAD2,QAD2/A,QAF,QAF/A,QDE,QDE/A,QDF,QDF/A,QDF2,QDF2/A,QDF6,QDF6/A,QDW,QDW/A,QDX2,QDX2/A,QWF,QWF/A,QYF,QYF/A,QZA,QZA/A,QZA6,QZA6/A,QZB,QZB/A,QZB2,QZB2/A,QZE,QZE/A,QZE3,QZE3/A,QZE4,QZE4/A,QZE6,QZE6/A,QZF,QZF/A,QZF1,QZF1/A,QZF8,QZF8/A,QZX5,QZX5/A,SWD,SWD/A,VD,VD/A,VDF2,VDF2/A,VEP4,VEP4/A,VXD,VXD/A,VXE,VXE/A,VXE1,VXE1/A,VXE3,VXE3/A,VXE4,VXE4/A,VZA,VZA/A,VZA1,VZA1/A,VZE1,VZE1/A	
	99201-ZG8-0950	JET SET, MAIN, #95 .....	-	-	(1)	-	QAF2,QAF2/A,TXF2,TXF2/A	
	99101-ZJ4-0880	JET, MAIN, #88 .....	-	-	(1)	-	QAF2,QAF2/A,TXF2,TXF2/A	
	99101-ZJ4-0900	JET, MAIN, #90 .....	-	-	(1)	-	VZA2,VZA2/A	
	99101-ZJ4-0920	JET, MAIN, #92 .....	-	-	1	-	VZA2,VZA2/A	
29	16015-ZJ1-852	CHAMBER SET, FLOAT .....	-	-	1	-	SWD,SWD/A	
30	95001-45500-50	HOSE, FUEL, 4.5X500 (95001-45001-50M)	-	-	1	-	SWD,SWD/A	
31	95002-40850-08	CLAMP, TUBE (D8.5) .....	-	-	1	-	SWD,SWD/A	
32	95003-36010-20	TUBE, VINYL, 11X13X100 (95003-36001-10M)	-	-	1	-	SWD,SWD/A	



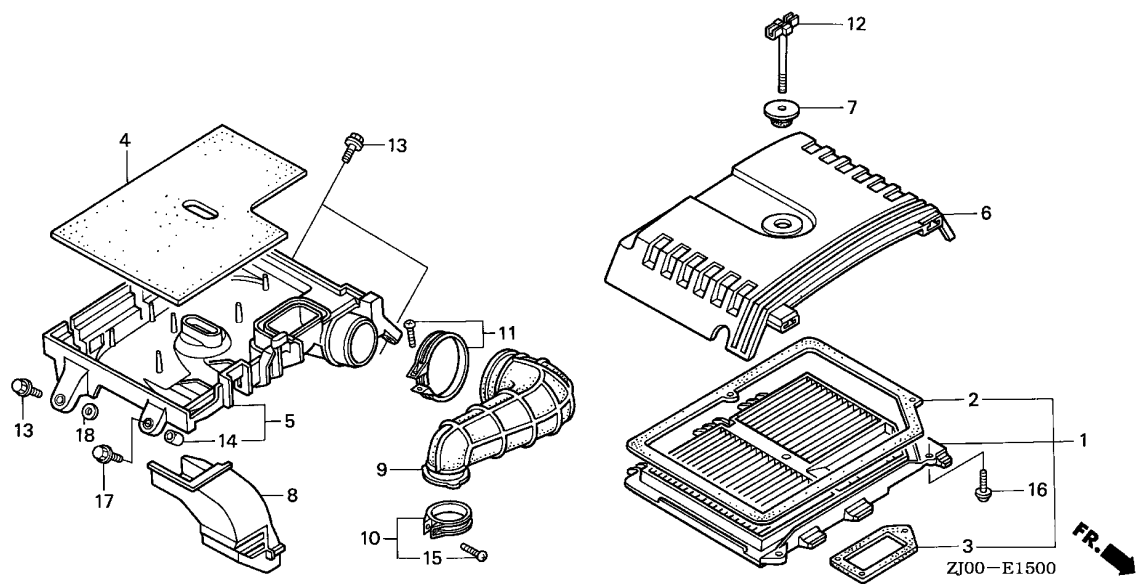


Ref. No.	L.O.N.	(Relative ref. Number) Description	F.R.T.
1	3121B8	ELEMENT, AIR CLEANER .....	0.2
2	3121D7	PACKING A, ELEMENT .....	0.2
3	3121D8	PACKING B, ELEMENT .....	0.2
4	3121C1	FILTER, OUTER .....	0.1
5	3121A5	CASE, AIR CLEANER .....	0.2
6	3121B1	COVER, AIR CLEANER .....	0.1
8	3121D1	HOSE, AIR CLEANER .....	0.3
9	3121K5	TUBE, AIR CLEANER CONNECTING ..	0.2

Ref. No.	Part No.	Description	Reqd. QTY				Serial No.	Parts catalogue code
			GX 610	GX 610	GX 610 K1	GX 610		
1	17010-ZJ1-000	ELEMENT SET, AIR CLEANER .....	1	-	-	1	-----	PZE,QAC6,QAF,QAFP,QDA1,QDE,QDE1,QDE6,QDF,QDF2,QDF6,QDW,QXF6,QYF,QZA,QZA1,QZA6,QZB,QZD,QZE,QZE4,QZE6,QZF,QZF6,QZX4,VD,VXA3,VXD,VXE,VXEP,VXE1,VXE3,VXE4,VZA,VZA1,VZA4
			1	-	-	-	-----	1017229 QXE4
			1	-	-	-	-----	1032299 QZF1
	17010-ZJ1-820	.....	-	1	-	-	-----	QAFU
2	17216-ZJ1-000	PACKING A, ELEMENT .....	1	-	-	-	-----	PZE,QAC6,QAF,QDA1,QDE,QDE1,QDE6,QDF,QDF2,QDF6,QDW,QXF6,QYF,QZA,QZA1,QZA6,QZB,QZD,QZE,QZE4,QZE6,QZF,QZF6,QZX4,VD,VXA3,VXD,VXE,VXE1,VXE3,VXE4,VZA,VZA1,VZA4
			1	-	-	-	-----	1017229 QXE4
			1	-	-	-	-----	1032299 QZF1
3	17217-ZJ1-000	PACKING B, ELEMENT .....	1	-	-	-	-----	PZE,QAC6,QAF,QDA1,QDE,QDE1,QDE6,QDF,QDF2,QDF6,QDW,QXF6,QYF,QZA,QZA1,QZA6,QZB,QZD,QZE,QZE4,QZE6,QZF,QZF6,QZX4,VD,VXA3,VXD,VXE,VXE1,VXE3,VXE4,VZA,VZA1,VZA4
			1	-	-	-	-----	1017229 QXE4
			1	-	-	-	-----	1032299 QZF1
4	17218-ZJ1-000	FILTER, OUTER .....	1	-	-	-	-----	PZE,QAC6,QAF,QDA1,QDE,QDE1,QDE6,QDF,QDF2,QDF6,QDW,QXF6,QYF,QZA,QZA1,QZA6,QZB,QZD,QZE,QZE4,QZE6,QZF,QZF6,QZX4,VD,VXA3,VXD,VXE,VXE1,VXE3,VXE4,VZA,VZA1,VZA4
			1	-	-	-	-----	1017229 QXE4
			1	-	-	-	-----	1032299 QZF1
			-	1	-	1	-----	

Ref. No.	Part No.	Description	Reqd. QTY				Serial No.	Parts catalogue code
			GX 610	GX 610	GX 610 K1	GX 610		
			(1)	(2)	(3)			
5	17220-ZJ1-000	CASE COMP., AIR CLEANER .....	1	-	-	1	PZE,QAC6,QAF,QAFP,QDA1,QDE,QDE1,QDE6,QDF,QDF2,QDF6,QDW,QXF6,QYF,QZA,QZA1,QZA6,QZB,QZD,QZE,QZE4,QZE6,QZF,QZF1,QZF6,QZX4,VD,VXA3,VXD,VXE,VXEP,VXE1,VXE3,VXE4,VZA,VZA1,VZA4	
			1	-	-	-	1017229 QXE4	
	17220-ZJ1-820	.....	-	-	-	1	QAFU	
6	17231-ZJ1-000	COVER, AIR CLEANER .....	1	-	-	1	PZE,QAC6,QAF,QAFP,QDA1,QDE,QDE1,QDE6,QDF,QDF2,QDF6,QDW,QXF6,QYF,QZA,QZA1,QZA6,QZB,QZD,QZE,QZE4,QZE6,QZF,QZF1,QZF6,QZX4,VD,VXA3,VXD,VXE,VXEP,VXE1,VXE3,VXE4,VZA,VZA1,VZA4	
			1	-	-	-	1017229 QXE4	
	17231-ZJ1-820	.....	-	1	-	1	QAFU	
7	17232-ZJ1-000	GROMMET, AIR CLEANER .....	1	-	-	-	PZE,QAC6,QAF,QDA1,QDE,QDE1,QDE6,QDF,QDF2,QDF6,QDW,QXF6,QYF,QZA,QZA1,QZA6,QZB,QZD,QZE,QZE4,QZE6,QZF,QZF1,QZF6,QZX4,VD,VXA3,VXD,VXE,VXE1,VXE3,VXE4,VZA,VZA1,VZA4	
			1	-	-	-	1017229 QXE4	
			-	1	-	1		
8	17237-ZJ1-000	HOSE, AIR CLEANER .....	1	-	-	-	PZE,QAC6,QAF,QDA1,QDE,QDE1,QDE6,QDF,QDF2,QDF6,QDW,QXF6,QYF,QZA,QZA1,QZA6,QZB,QZD,QZE,QZE4,QZE6,QZF,QZF1,QZF6,QZX4,VD,VXA3,VXD,VXE,VXE1,VXE3,VXE4,VZA,VZA1,VZA4	
			1	-	-	-	1017229 QXE4	
			-	1	-	-		
9	17251-ZJ1-000	TUBE, AIR CLEANER CONNECTING	1	-	-	-	PZE,QAC6,QAF,QDA1,QDE,QDE1,QDE6,QDF,QDF2,QDF6,QDW,QXF6,QYF,QZA,QZA1,QZA6,QZB,QZD,QZE,QZE4,QZE6,QZF,QZF1,QZF6,QZX4,VD,VXA3,VXD,VXE,VXE1,VXE3,VXE4,VZA,VZA1,VZA4	
			1	-	-	-	1017229 QXE4	
			-	1	-	1		
10	17255-758-000	BAND, AIR CLEANER CONNECTING TUBE	1	-	-	-	PZE,QAC6,QAF,QDA1,QDE,QDE1,QDE6,QDF,QDF2,QDF6,QDW,QXF6,QYF,QZA,QZA1,QZA6,QZB,QZD,QZE,QZE4,QZE6,QZF,QZF1,QZF6,QZX4,VD,VXA3,VXD,VXE,VXE1,VXE3,VXE4,VZA,VZA1,VZA4	
			1	-	-	-	1017229 QXE4	
			-	1	-	1		
11	95018-50250	BAND, AIR CLEANER CONNECTING TUBE (50)	1	-	-	-	PZE,QAC6,QAF,QDA1,QDE,QDE1,QDE6,QDF,QDF2,QDF6,QDW,QXF6,QYF,QZA,QZA1,QZA6,QZB,QZD,QZE,QZE4,QZE6,QZF,QZF1,QZF6,QZX4,VD,VXD,VXE,VXE1,VXE3,VXE4,VZA,VZA1,VZA4	
			1	-	-	-	1017229 QXE4	
			-	1	-	1		
	90652-GHB-680	BAND, AIR CLEANER CONNECTING TUBE	1	-	-	-	VXA3	
12	90017-ZJ1-000	BOLT, AIR CLEANER .....	1	-	-	-	PZE,QAC6,QAF,QDA1,QDE,QDE1,QDE6,QDF,QDF2,QDF6,QDW,QXF6,QYF,QZA,QZA1,QZA6,QZB,QZD,QZE,QZE4,QZE6,QZF,QZF1,QZF6,QZX4,VD,VXA3,VXD,VXE,VXE1,VXE3,VXE4,VZA,VZA1,VZA4	
			1	-	-	-	1017229 QXE4	
			-	1	-	1		
13	90018-ZE1-000	BOLT, FLANGE, 6X23(CT200) ...	3	-	-	-	PZE,QAC6,QAF,QDA1,QDE,QDE1,QDE6,QDF,QDF2,QDF6,QDW,QXF6,QYF,QZA,QZA1,QZA6,QZB,QZD,QZE,QZE4,QZE6,QZF,QZF1,QZF6,QZX4,VD,VXA3,VXD,VXE,VXE1,VXE3,VXE4,VZA,VZA1,VZA4	
			3	-	-	-	1017229 QXE4	
			-	3	-	3		



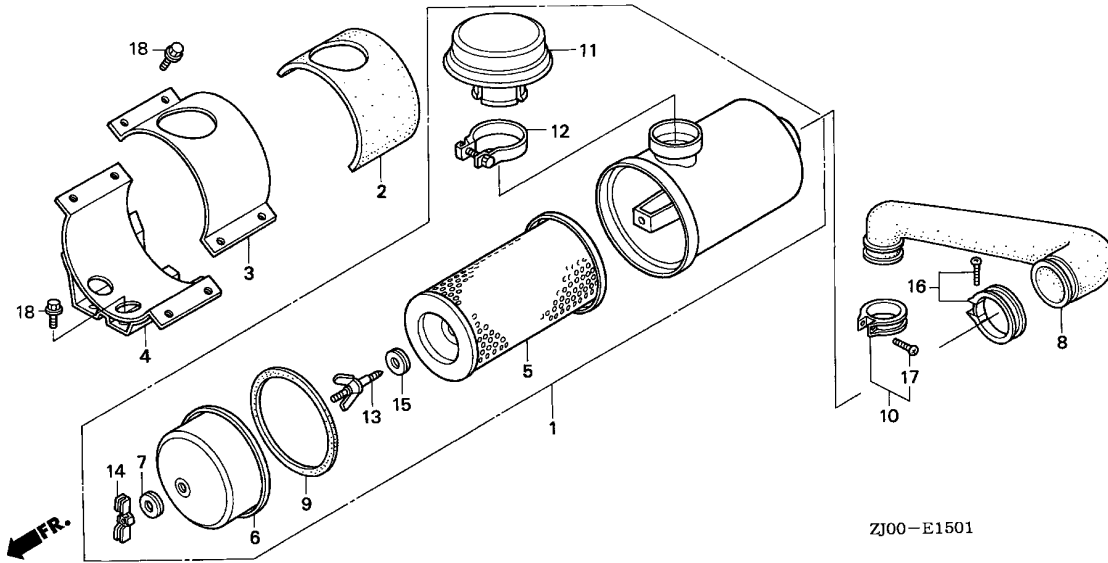


Ref. No.	Part No.	Description	Reqd. QTY				Serial No.	Parts catalogue code
			GX 610	GX 610	GX 610 K1	GX 610		
			(1)	(2)	(3)			
14	90120-102-000	COLLAR, AIR CLEANER CASE	4	-	-	-	PZE,QAC6,QAF,QDA1,QDE,QDE1,QDE6,QDF,QDF2,QDF6,QDW,QXF6,QYF,QZA,QZA1,QZA6,QZB,QZD,QZE,QZE4,QZE6,QZF,QZF1,QZF6,QZX4,VD,VXA3,VXD,VXE,VXE1,VXE3,VXE4,VZA,VZA1,VZA4	
			4	-	-	1017229	QXE4	
15	93500-04020-0A	SCREW, PAN, 4X20	1	-	-	-	PZE,QAC6,QAF,QDA1,QDE,QDE1,QDE6,QDF,QDF2,QDF6,QDW,QXF6,QYF,QZA,QZA1,QZA6,QZB,QZD,QZE,QZE4,QZE6,QZF,QZF1,QZF6,QZX4,VD,VXA3,VXD,VXE,VXE1,VXE3,VXE4,VZA,VZA1,VZA4	
			1	-	-	1017229	QXE4	
16	93891-05016-08	SCREW-WASHER, 5X16	2	-	-	-	PZE,QAC6,QAF,QDA1,QDE,QDE1,QDE6,QDF,QDF2,QDF6,QDW,QXF6,QYF,QZA,QZA1,QZA6,QZB,QZD,QZE,QZE4,QZE6,QZF,QZF6,QZX4,VD,VXA3,VXD,VXE,VXE1,VXE3,VXE4,VZA,VZA1,VZA4	
			2	-	-	1017229	QXE4	
			2	-	-	1032299	QZF1	
17	95701-06018-00	BOLT, FLANGE, 6X18	1	-	-	-	PZE,QAC6,QAF,QDA1,QDE,QDE1,QDE6,QDF,QDF2,QDF6,QDW,QXF6,QYF,QZA,QZA1,QZA6,QZB,QZD,QZE,QZE4,QZE6,QZF,QZF1,QZF6,QZX4,VD,VXA3,VXD,VXE,VXE1,VXE3,VXE4,VZA,VZA1,VZA4	
			1	-	-	1017229	QXE4	
18	18293-MN5-650	PACKING, PROTECTOR	2	-	-	-	QAF,QDE,QDF,QYF,QZA,QZB,QZE,QZF,VXE,VZA	

E-15-1

AIR CLEANER(2)

G11



Ref. No.	L.O.N.	(Relative ref. Number) Description	F.R.T.
1	3121B0	CLEANER, AIR .....	0.2
2	3121E7	RUBBER, AIR CLEANER HOLDER :UPPER .....	0.2
4	3121D0	HOLDER, AIR CLEANER :LOWER ...	0.2
5	3121B8	ELEMENT, AIR CLEANER .....	0.2
8	3121K5	TUBE, AIR CLEANER CONNECTING ..	0.2
11	3121L2	CAP, AIR INTAKE .....	0.1

Ref. No.	Part No.	Description	Reqd. QTY				Serial No.	Parts catalogue code
			GX 610	GX 610	GX 610 K1	GX 610		
			(1)	(2)	(3)			
1	17200-ZJ0-U70	CLEANER ASSY., AIR .....	1	-	-	----- QAF2,QZD1,TFX2		
2	17207-ZJ0-U70	RUBBER, AIR CLEANER UPPER HOLDER	1	-	-	1017230 ----- QXE4		
3	17208-ZJ0-U70	HOLDER COMP., AIR CLEANER UPPER	2	-	-	1017230 ----- QAF2,QZD1,TFX2		
4	17209-ZJ0-U70	HOLDER COMP., AIR CLEANER LOWER	2	-	-	1017230 ----- QXE4		
5	17210-759-013	ELEMENT COMP., AIR CLEANER ..	1	-	-	----- QAF2,QZD1,TFX2		
6	17230-759-003	COVER COMP., AIR CLEANER ....	1	-	-	----- QAF2,QZD1,TFX2		
7	17232-891-000	GROMMET, AIR CLEANER .....	1	-	-	----- QXE4		
8	17251-ZJ0-U70	TUBE, AIR CLEANER CONNECTING	1	-	-	1017230 ----- QAF2,QZD1,TFX2		
9	17253-759-003	SEAL, AIR CLEANER .....	1	-	-	----- QXE4		
10	17255-758-000	BAND, AIR CLEANER CONNECTING TUBE	1	-	-	1017230 ----- QAF2,QZD1,TFX2		
11	17320-ZG5-801	CAP COMP., IN. ....	1	-	-	----- QXE4		

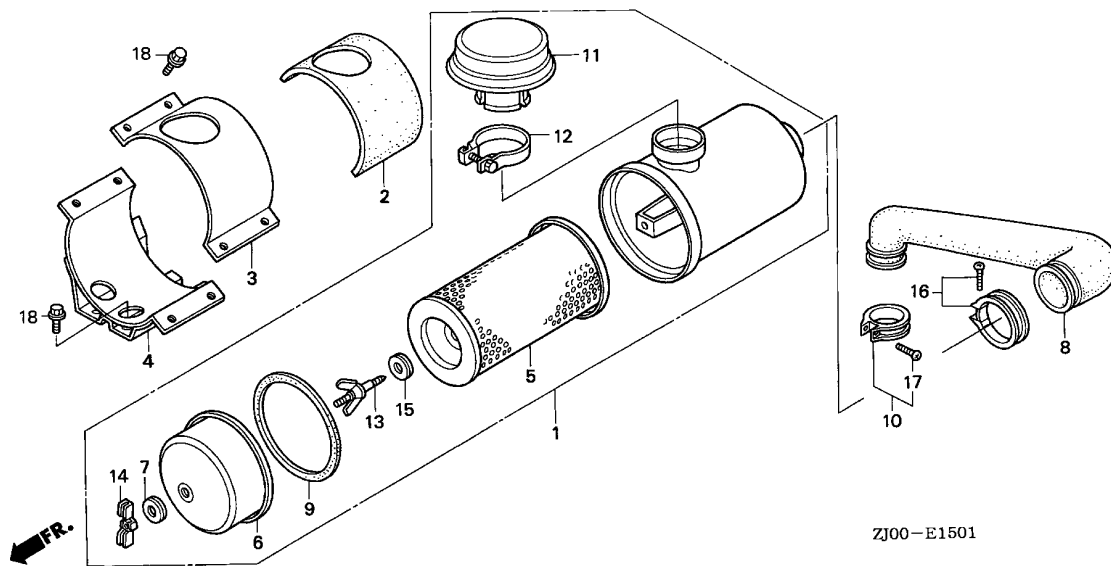
2



E-15-1

AIR CLEANER(2)

G12



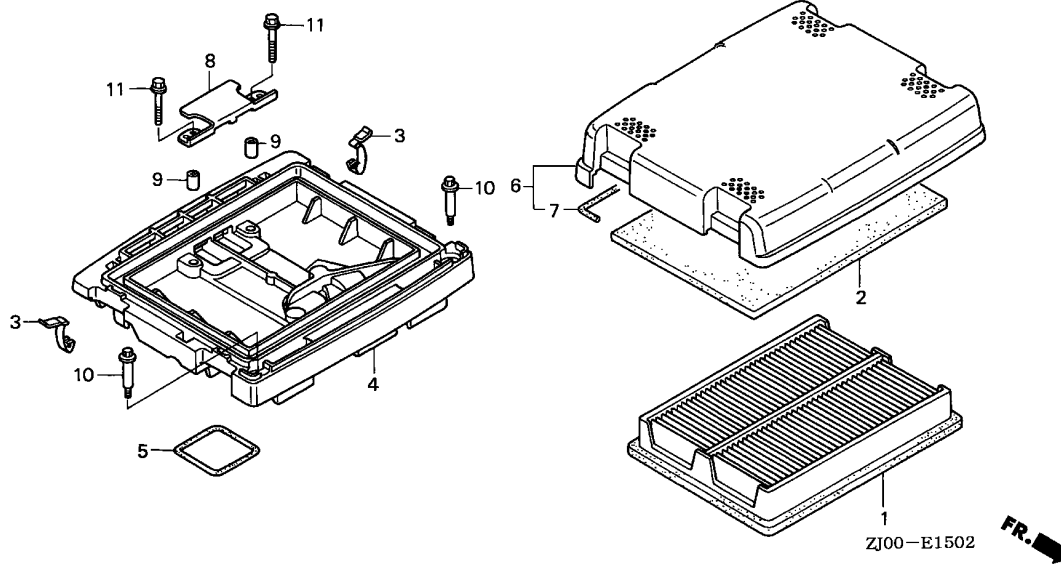
Ref. No.	Part No.	Description	Reqd. QTY				Serial No.	Parts catalogue code
			GX 610 (1)	GX 610 (2)	GX 610 K1 (3)	GX 610 (3)		
12	17330-ZG5-801	CLAMP ASSY. ....	1	-	-	-	QAF2,QZD1,TFX2	
13	90113-759-003	BOLT, AIR CLEANER .....	1	-	-	1017230	QXE4	
14	90203-ZA0-800	NUT, WING, 6MM(BLACK) .....	1	-	-	1017230	QAF2,QZD1,TFX2	
15	90502-759-003	WASHER, AIR CLEANER .....	1	-	-	1017230	QXE4	
16	90652-GHB-680	BAND, AIR CLEANER CONNECTING TUBE	1	-	-	1017230	QAF2,QZD1,TFX2	
17	93500-04020-0A	SCREW, PAN, 4X20 .....	1	-	-	1017230	QAF2,QZD1,TFX2	
18	95701-06012-00	BOLT, FLANGE, 6X12 .....	8	-	-	1017230	QAF2,QZD1,TFX2	
			8	-	-	1017230	QXE4	

2

E-15-2

AIR CLEANER(3)

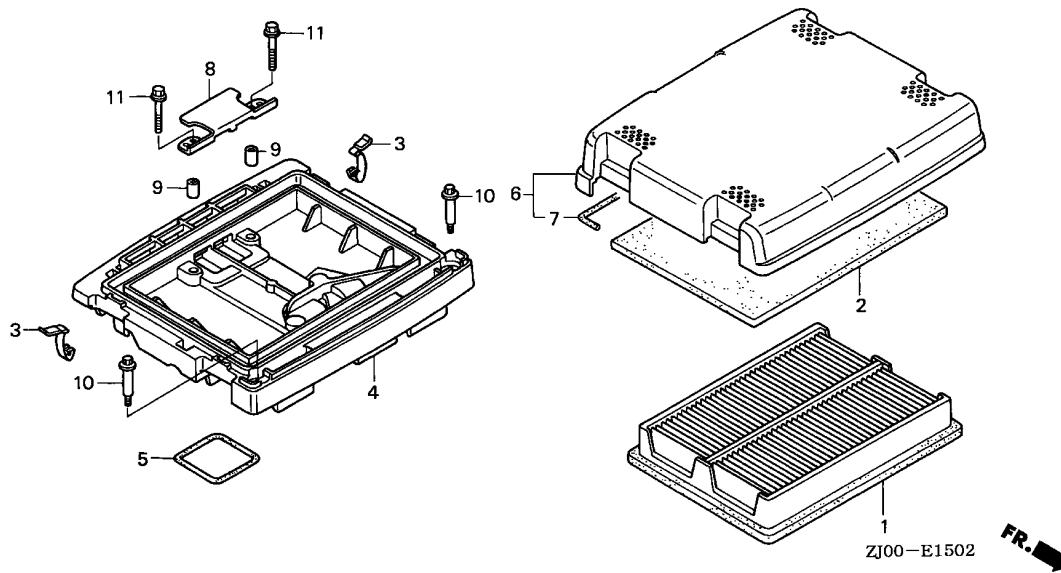
G13



Ref. No.	L.O.N.	(Relative ref. Number) Description	F.R.T.
1	3121B8	ELEMENT, AIR CLEANER .....	0.1
2	3121C1	FILTER, OUTER .....	0.1
4	3121A5	CASE, AIR CLEANER .....	0.2
5	3121E8	SEAL, AIR CLEANER CASE .....	0.2
6	3121B1	COVER, AIR CLEANER .....	0.1
7	3121E9	SEAL, AIR CLEANER COVER .....	0.1
8	3121K3	PLATE, AIR CLEANER SETTING ...	0.2

Ref. No.	Part No.	Description	Reqd. QTY				Serial No.	Parts catalogue code	
			GX 610 (1)	GX 610 (2)	GX 610 K1 (3)	GX 610 (3)			
1	17210-ZJ1-841	ELEMENT COMP., AIR CLEANER ..	-	-	1	-	2017952	PZE,QAF,QDE,QDF,QDF2,QDF6,QDW,QWF,QYF,QZA,QZA6,QZB,QZB2,QZE,QZE3,QZE4,QZE6,QZF,QZF1,QZX5,VD,VXD,VXE,VXE1,VXE3,VXE4,VZA1,VZA2,VZE1	
	17210-ZJ1-842	.....	-	-	1	-	-----	PZE/A,QAD2,QAD2/A,QAF/A,QDE/A,QDF/A,QDF2/A,QDF6/A,QDW/A,QDX2,QDX2/A,QWF/A,QYF/A,QZA/A,QZA6/A,QZB/A,QZB2/A,QZE/A,QZE3/A,QZE4/A,QZE6/A,QZF/A,QZF1/A,QZF8,QZF8/A,QZX5/A,SWD,SWD/A,VD/A,VEP4,VEP4/A,VXD,VXD/A,VXE/A,VXE1/A,VXE3/A,VXE4/A,VZA1/VZA2/A,VZE1/A	
			-	-	1	-	2017953	-----	PZE,QAF,QDE,QDF,QDF2,QDF6,QDW,QWF,QYF,QZA,QZA6,QZB,QZB2,QZE,QZE3,QZE4,QZE6,QZF,QZF1,QZX5,VD,VXD,VXE,VXE1,VXE3,VXE4,VZA1,VZA2,VZE1
2	17218-ZJ1-840	FILTER, OUTER .....	-	-	1	-	-----	PZE,PZE/A,QAD2,QAD2/A,QAF,QAF/A,QDE,QDE/A,QDF,QDF/A,QDF2,QDF2/A,QDF6,QDF6/A,QDW,QDW/A,QDX2,QDX2/A,QWF,QWF/A,QYF,QYF/A,QZA,QZA/A,QZA6,QZA6/A,QZB,QZB/A,QZB2,QZB2/A,QZE,QZE/A,QZE3,QZE3/A,QZE4,QZE4/A,QZE6,QZE6/A,QZF,QZF/A,QZF1,QZF1/A,QZF8,QZF8/A,QZX5,QZX5/A,SWD,SWD/A,VD,VD/A,VEP4,VEP4/A,VXD,VXD/A,VXE/VXE/A,VXE1,VXE1/A,VXE3,VXE3/A,VXE4,VXE4/A,VZA,VZA/A,VZA1/VZA1/A,VZA2,VZA2/A,VZE1,VZE1/A	
3	17219-ZJ1-840	CLIP, AIR CLEANER .....	-	-	4	-	-----	PZE,PZE/A,QAD2,QAD2/A,QAF,QAF/A,QDE,QDE/A,QDF,QDF/A,QDF2,QDF2/A,QDF6,QDF6/A,QDW,QDW/A,QDX2,QDX2/A,QWF,QWF/A,QYF,QYF/A,QZA,QZA/A,QZA6,QZA6/A,QZB,QZB/A,QZB2,QZB2/A,QZE,QZE/A,QZE3,QZE3/A,QZE4,QZE4/A,QZE6,QZE6/A,QZF,QZF/A,QZF1,QZF1/A,QZF8,QZF8/A,QZX5,QZX5/A,SWD,SWD/A,VD,VD/A,VEP4,VEP4/A,VXD,VXD/A,VXE/VXE/A,VXE1,VXE1/A,VXE3,VXE3/A,VXE4,VXE4/A,VZA,VZA/A,VZA1/VZA1/A,VZA2,VZA2/A,VZE1,VZE1/A	

2



Ref. No.	Part No.	Description	Reqd. QTY				Serial No.	Parts catalogue code
			GX 610	GX 610	GX 610 K1	GX 610		
			(1)	(2)	(3)			
4	17220-ZJ1-840	CASE COMP., AIR CLEANER .....	-	-	1	-	PZE,PZE/A,QAD2,QAD2/A,QAF,QAF/A,QDE,QDE/A,QDF,QDF/A,QDF2,QDF2/A,QDF6,QDF6/A,QDW,QDW/A,QDX2,QDX2/A,QWF,QWF/A,QYF,QYF/A,QZA,QZA/A,QZA6,QZA6/A,QZB,QZB/A,QZB2,QZB2/A,QZE,QZE/A,QZE3,QZE3/A,QZE4,QZE4/A,QZE6,QZE6/A,QZF,QZF/A,QZF1,QZF1/A,QZF8,QZF8/A,QZX5,QZX5/A,SWD,SWD/A,VD,VD/A,VEP4,VEP4/A,VXD,VXD/A,VXE,VXE/A,VXE1,VXE1/A,VXE3,VXE3/A,VXE4,VXE4/A,VZA,VZA/A,VZA1,VZA1/A,VZA2,VZA2/A,VZE1,VZE1/A	
5	17229-ZJ1-840	SEAL, AIR CLEANER CASE .....	-	-	1	-	PZE,PZE/A,QAD2,QAD2/A,QAF,QAF/A,QDE,QDE/A,QDF,QDF/A,QDF2,QDF2/A,QDF6,QDF6/A,QDW,QDW/A,QDX2,QDX2/A,QWF,QWF/A,QYF,QYF/A,QZA,QZA/A,QZA6,QZA6/A,QZB,QZB/A,QZB2,QZB2/A,QZE,QZE/A,QZE3,QZE3/A,QZE4,QZE4/A,QZE6,QZE6/A,QZF,QZF/A,QZF1,QZF1/A,QZF8,QZF8/A,QZX5,QZX5/A,SWD,SWD/A,VD,VD/A,VEP4,VEP4/A,VXD,VXD/A,VXE,VXE/A,VXE1,VXE1/A,VXE3,VXE3/A,VXE4,VXE4/A,VZA,VZA/A,VZA1,VZA1/A,VZA2,VZA2/A,VZE1,VZE1/A	
6	17230-ZJ1-840	COVER ASSY., AIR CLEANER .....	-	-	1	-	PZE,PZE/A,QAD2,QAD2/A,QAF,QAF/A,QDE,QDE/A,QDF,QDF/A,QDF2,QDF2/A,QDF6,QDF6/A,QDW,QDW/A,QDX2,QDX2/A,QWF,QWF/A,QYF,QYF/A,QZA,QZA/A,QZA6,QZA6/A,QZB,QZB/A,QZB2,QZB2/A,QZE,QZE/A,QZE3,QZE3/A,QZE4,QZE4/A,QZE6,QZE6/A,QZF,QZF/A,QZF1,QZF1/A,QZF8,QZF8/A,QZX5,QZX5/A,SWD,SWD/A,VD,VD/A,VEP4,VEP4/A,VXD,VXD/A,VXE,VXE/A,VXE1,VXE1/A,VXE3,VXE3/A,VXE4,VXE4/A,VZA,VZA/A,VZA1,VZA1/A,VZA2,VZA2/A,VZE1,VZE1/A	

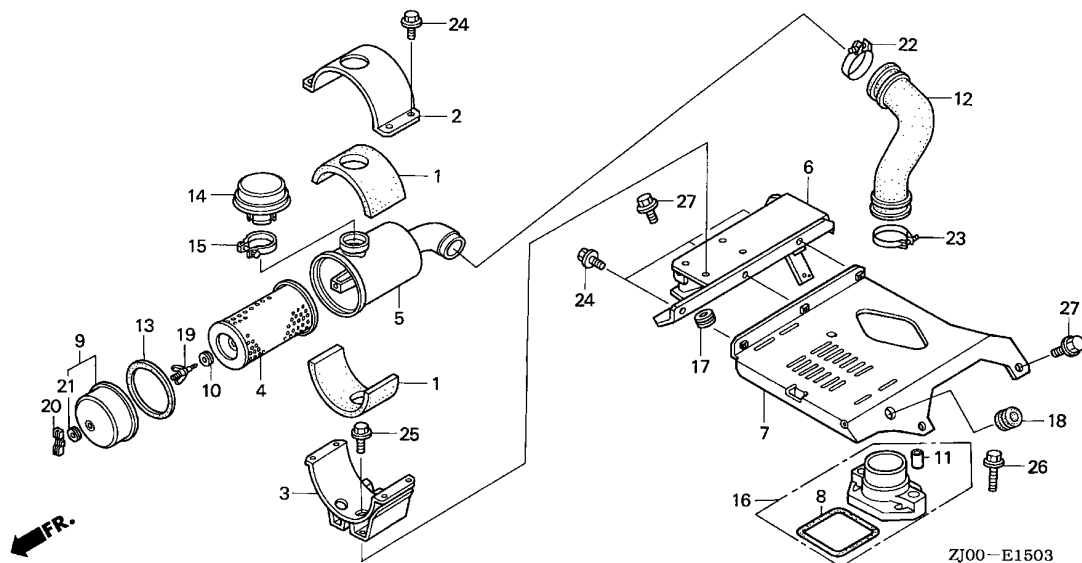
Ref. No.	Part No.	Description	Reqd. QTY				Serial No.	Parts catalogue code
			GX 610	GX 610	GX 610 K1	GX 610		
			(1)	(2)	(3)			
7	17233-ZJ1-840	SEAL, AIR CLEANER COVER .....	-	-	1	-	PZE,PZE/A,QAD2,QAD2/A,QAF,QAF/A,QDE,QDE/A,QDF,QDF/A,QDF2,QDF2/A,QDF6,QDF6/A,QDW,QDW/A,QDX2,QDX2/A,QWF,QWF/A,QYF,QYF/A,QZA,QZA/A,QZA6,QZA6/A,QZB,QZB/A,QZB2,QZB2/A,QZE,QZE/A,QZE3,QZE3/A,QZE4,QZE4/A,QZE6,QZE6/A,QZF,QZF/A,QZF1,QZF1/A,QZF8,QZF8/A,QZX5,QZX5/A,SWD,SWD/A,VD,VD/A,VEP4,VEP4/A,VXD,VXD/A,VXE,VXE/A,VXE1,VXE1/A,VXE3,VXE3/A,VXE4,VXE4/A,VZA,VZA/A,VZA1,VZA1/A,VZA2,VZA2/A,VZE1,VZE1/A	
8	17234-ZJ1-840	PLATE, AIR CLEANER SETTING ..	-	-	1	-	PZE,PZE/A,QAD2,QAD2/A,QAF,QAF/A,QDE,QDE/A,QDF,QDF/A,QDF2,QDF2/A,QDF6,QDF6/A,QDW,QDW/A,QDX2,QDX2/A,QWF,QWF/A,QYF,QYF/A,QZA,QZA/A,QZA6,QZA6/A,QZB,QZB/A,QZB2,QZB2/A,QZE,QZE/A,QZE3,QZE3/A,QZE4,QZE4/A,QZE6,QZE6/A,QZF,QZF/A,QZF1,QZF1/A,QZF8,QZF8/A,QZX5,QZX5/A,SWD,SWD/A,VD,VD/A,VEP4,VEP4/A,VXD,VXD/A,VXE,VXE/A,VXE1,VXE1/A,VXE3,VXE3/A,VXE4,VXE4/A,VZA,VZA/A,VZA1,VZA1/A,VZA2,VZA2/A,VZE1,VZE1/A	
9	17238-ZJ4-830	COLLAR A, AIR CLEANER .....	-	-	2	-	PZE,PZE/A,QAD2,QAD2/A,QAF,QAF/A,QDE,QDE/A,QDF,QDF/A,QDF2,QDF2/A,QDF6,QDF6/A,QDW,QDW/A,QDX2,QDX2/A,QWF,QWF/A,QYF,QYF/A,QZA,QZA/A,QZA6,QZA6/A,QZB,QZB/A,QZB2,QZB2/A,QZE,QZE/A,QZE3,QZE3/A,QZE4,QZE4/A,QZE6,QZE6/A,QZF,QZF/A,QZF1,QZF1/A,QZF8,QZF8/A,QZX5,QZX5/A,SWD,SWD/A,VD,VD/A,VEP4,VEP4/A,VXD,VXD/A,VXE,VXE/A,VXE1,VXE1/A,VXE3,VXE3/A,VXE4,VXE4/A,VZA,VZA/A,VZA1,VZA1/A,VZA2,VZA2/A,VZE1,VZE1/A	
10	90003-ZJ1-840	BOLT, SPECIAL, 5MM .....	-	-	2	-	PZE,PZE/A,QAD2,QAD2/A,QAF,QAF/A,QDE,QDE/A,QDF,QDF/A,QDF2,QDF2/A,QDF6,QDF6/A,QDW,QDW/A,QDX2,QDX2/A,QWF,QWF/A,QYF,QYF/A,QZA,QZA/A,QZA6,QZA6/A,QZB,QZB/A,QZB2,QZB2/A,QZE,QZE/A,QZE3,QZE3/A,QZE4,QZE4/A,QZE6,QZE6/A,QZF,QZF/A,QZF1,QZF1/A,QZF8,QZF8/A,QZX5,QZX5/A,SWD,SWD/A,VD,VD/A,VEP4,VEP4/A,VXD,VXD/A,VXE,VXE/A,VXE1,VXE1/A,VXE3,VXE3/A,VXE4,VXE4/A,VZA,VZA/A,VZA1,VZA1/A,VZA2,VZA2/A,VZE1,VZE1/A	
11	95701-06028-00	BOLT, FLANGE, 6X28 .....	-	-	2	-	PZE,PZE/A,QAD2,QAD2/A,QAF,QAF/A,QDE,QDE/A,QDF,QDF/A,QDF2,QDF2/A,QDF6,QDF6/A,QDW,QDW/A,QDX2,QDX2/A,QWF,QWF/A,QYF,QYF/A,QZA,QZA/A,QZA6,QZA6/A,QZB,QZB/A,QZB2,QZB2/A,QZE,QZE/A,QZE3,QZE3/A,QZE4,QZE4/A,QZE6,QZE6/A,QZF,QZF/A,QZF1,QZF1/A,QZF8,QZF8/A,QZX5,QZX5/A,SWD,SWD/A,VD,VD/A,VEP4,VEP4/A,VXD,VXD/A,VXE,VXE/A,VXE1,VXE1/A,VXE3,VXE3/A,VXE4,VXE4/A,VZA,VZA/A,VZA1,VZA1/A,VZA2,VZA2/A,VZE1,VZE1/A	



E-15-3

AIR CLEANER(4)

G16



Ref. No.	L.O.N.	(Relative ref. Number) Description	F.R.T.
1	3121E7	RUBBER, AIR CLEANER HOLDER :UPPER	0.2
4	3121B8	ELEMENT, AIR CLEANER	0.1
5	3121A5	CASE, AIR CLEANER	0.2
6	3121H5	STAY A, AIR CLEANER	0.3
7	3121H6	STAY B, AIR CLEANER	0.3
12	3121K5	TUBE, AIR CLEANER CONNECTING	0.2
14	3121L2	CAP, AIR INTAKE	0.1
16	3121D5	JOINT, CONNECTING TUBE	0.3

ZJ00-E1503

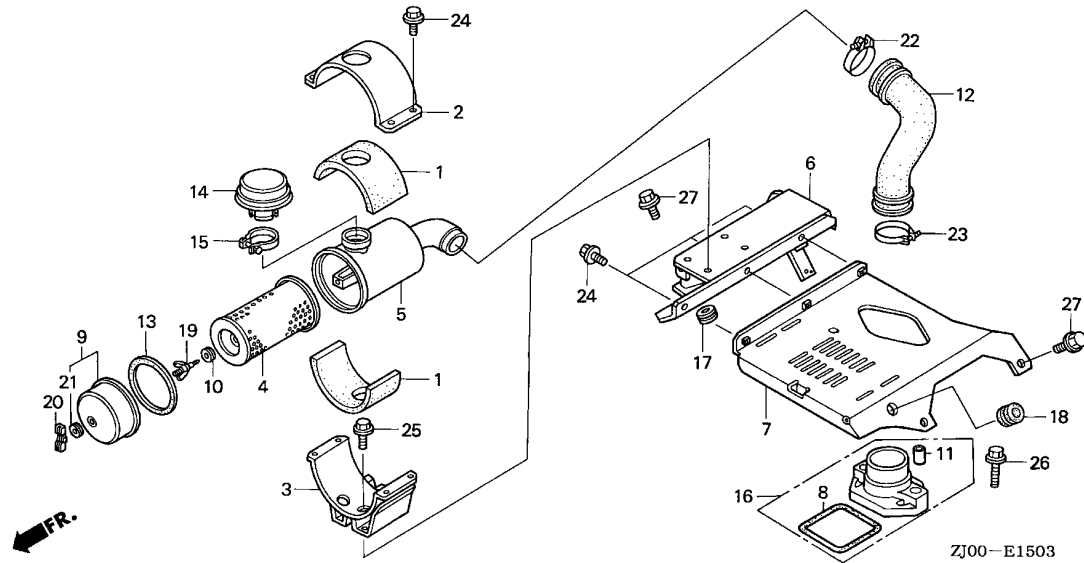
Ref. No.	Part No.	Description	Reqd. QTY				Serial No.	Parts catalogue code
			GX 610	GX 610	GX 610 K1	GX 610 (3)		
1	17207-ZJ1-840	RUBBER, AIR CLEANER HOLDER UPPER	-	-	2	-	----- QAF2,QAF2/A,TXF2,TXF2/A	
2	17208-ZJ1-840	HOLDER COMP., AIR CLEANER UPPER	-	-	1	-	----- QAF2,QAF2/A,TXF2,TXF2/A	
3	17209-ZJ1-840	HOLDER COMP., AIR CLEANER LOWER	-	-	1	-	----- QAF2,QAF2/A,TXF2,TXF2/A	
4	17210-759-013	ELEMENT COMP., AIR CLEANER ..	-	-	1	-	----- QAF2,QAF2/A,TXF2,TXF2/A	
5	17220-ZJ1-850	CASE COMP., AIR CLEANER (SNORKEL)	-	-	1	-	----- QAF2,QAF2/A,TXF2,TXF2/A	
6	17222-ZJ1-850	STAY COMP. A, AIR CLEANER (SNORKEL)	-	-	1	-	----- QAF2,QAF2/A,TXF2,TXF2/A	
7	17224-ZJ1-850	STAY COMP. B, AIR CLEANER (SNORKEL)	-	-	1	-	----- QAF2,QAF2/A,TXF2,TXF2/A	
8	17229-ZJ1-840	SEAL, AIR CLEANER CASE	-	-	1	-	----- QAF2,QAF2/A,TXF2,TXF2/A	
9	17230-759-003	COVER COMP., AIR CLEANER	-	-	1	-	----- QAF2,QAF2/A,TXF2,TXF2/A	
10	17232-891-000	GROMMET, AIR CLEANER	-	-	1	-	----- QAF2,QAF2/A,TXF2,TXF2/A	
11	17238-ZJ4-830	COLLAR A, AIR CLEANER	-	-	2	-	----- QAF2,QAF2/A,TXF2,TXF2/A	
12	17251-ZJ1-850	TUBE, AIR CLEANER CONNECTING	-	-	1	-	----- QAF2,QAF2/A,TXF2,TXF2/A	
13	17253-759-003	SEAL, AIR CLEANER	-	-	1	-	----- QAF2,QAF2/A,TXF2,TXF2/A	
14	17320-ZG5-801	CAP COMP., IN.	-	-	1	-	----- QAF2,QAF2/A,TXF2,TXF2/A	
15	17330-ZG5-801	CLAMP ASSY.	-	-	1	-	----- QAF2,QAF2/A,TXF2,TXF2/A	
16	17415-ZJ1-840	JOINT ASSY., CONNECTING TUBE (B)	-	-	1	-	----- QAF2,QAF2/A,TXF2,TXF2/A	
17	19111-MF5-000	GROMMET, RESERVE TANK	-	-	1	-	----- QAF2,QAF2/A,TXF2,TXF2/A	
18	83551-MB9-000	GROMMET	-	-	1	-	----- QAF2,QAF2/A,TXF2,TXF2/A	

2

E-15-3

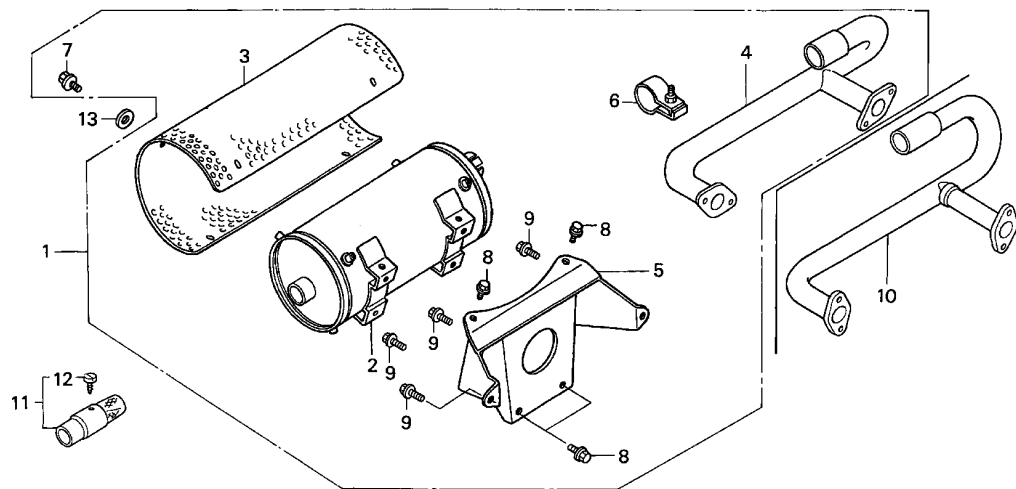
AIR CLEANER(4)

H 1



Ref. No.	Part No.	Description	Reqd. QTY				Serial No.	Parts catalogue code
			GX 610 (1)	GX 610 (2)	GX 610 K1 (3)	GX 610 (3)		
19	90113-759-003	BOLT, AIR CLEANER .....	-	-	1	-	QAF2,QAF2/A,TXF2,TXF2/A	
20	90203-ZA0-800	NUT, WING, 6MM(BLACK) .....	-	-	1	-	QAF2,QAF2/A,TXF2,TXF2/A	
21	90502-759-003	WASHER, AIR CLEANER .....	-	-	1	-	QAF2,QAF2/A,TXF2,TXF2/A	
22	95018-52250	BAND, AIR CLEANER CONNECTING TUBE (52)	-	-	1	-	QAF2,QAF2/A,TXF2,TXF2/A	
23	95018-58250	BAND, AIR CLEANER CONNECTING TUBE (58)	-	-	1	-	QAF2,QAF2/A,TXF2,TXF2/A	
24	95701-06012-00	BOLT, FLANGE, 6X12 .....	-	-	7	-	QAF2,QAF2/A,TXF2,TXF2/A	
25	95701-06016-00	BOLT, FLANGE, 6X16 .....	-	-	4	-	QAF2,QAF2/A,TXF2,TXF2/A	
26	95701-06028-00	BOLT, FLANGE, 6X28 .....	-	-	2	-	QAF2,QAF2/A,TXF2,TXF2/A	
27	95701-08020-00	BOLT, FLANGE, 8X20 .....	-	-	4	-	QAF2,QAF2/A,TXF2,TXF2/A	

2



FR. ZJ00-E1600 A

Ref. No.	L.O.N.	(Relative ref. Number) Description	F.R.T.
1	3131C4	MUFFLER KIT .....	0.3
2	3131C5	MUFFLER, EXHAUST .....	0.3
3	3131D6	PROTECTOR, EXHAUST MUFFLER ...	0.1
4		(10)	
	3131C9	PIPE, EXHAUST .....	0.4
5	3131E1	STAY, MUFFLER .....	0.4
11	3131A1	ARRESTER, SPARK .....	0.1

Ref. No.	Part No.	Description	Reqd. QTY				Serial No.	Parts catalogue code
			GX 610	GX 610	GX 610	GX 610		
1	06183-ZJ1-810	MUFFLER KIT (HIGH-A) .....	(1)	-	-	-		
2	18310-ZJ1-003	MUFFLER COMP. (HIGH) .....	(1)	-	-	-		
	18310-ZJ1-013	.....	-	-	1	-	QWF/A,QZF1/A,SWD,SWD/A,VD,VD/A,VXD,VXD/A,VXE1/A PZE,PZE/A,QAD2/A,QAF/A,QAF2,QAF2/A,QDE,QDE/A,QDF,QDF/A,QDF2 QDF2/A,QDF6,QDF6/A,QDW,QDW/A,QYF,QYF/A,QZA,QZA/A,QZA6,QZA6/A QZB,QZB/A,QZB2,QZB2/A,QZE,QZE/A,QZE3,QZE3/A,QZE4,QZE4/A,QZE6 QZE6/A,QZF,QZF/A,QZF1,QZX5,QZX5/A,TFX2,TFX2/A,VDF2,VDF2/A,VEP4 VEP4/A,VXE,VXE/A,VXE1,VXE3,VXE3/A,VXE4,VXE4/A,VZA,VZA/A,VZA1 VZA1/A,VZA2,VZA2/A,VZE1,VZE1/A	
3	18321-ZJ1-003	PROTECTOR, MUFFLER (HIGH) ...	(1)	-	-	-		
		.....	-	-	1	-	QWF/A,QZF1/A,VD,VD/A,VXD,VXD/A,VXE1/A PZE,PZE/A,QAD2/A,QAF/A,QAF2,QAF2/A,QDE,QDE/A,QDF,QDF/A,QDF2 QDF2/A,QDF6,QDF6/A,QDW,QDW/A,QYF,QYF/A,QZA,QZA/A,QZA6,QZA6/A QZB,QZB/A,QZB2,QZB2/A,QZE,QZE/A,QZE3,QZE3/A,QZE4,QZE4/A,QZE6 QZE6/A,QZF,QZF/A,QZF1,QZX5,QZX5/A,TFX2,TFX2/A,VDF2,VDF2/A,VEP4 VEP4/A,VXE,VXE/A,VXE1,VXE3,VXE3/A,VXE4,VXE4/A,VZA,VZA/A,VZA1 VZA1/A,VZA2,VZA2/A,VZE1,VZE1/A	
4	18330-ZJ1-003	PIPE COMP., EX. (HIGH-R) ....	(1)	-	-	-		
5	18338-ZJ1-003	STAY, MUFFLER (HIGH) .....	(1)	-	-	-		
	18338-ZJ1-841	.....	-	-	1	-	QWF/A,QZF1/A,SWD,SWD/A,VD,VD/A,VXD,VXD/A,VXE1/A PZE,PZE/A,QAD2/A,QAF/A,QAF2,QAF2/A,QDE,QDE/A,QDF,QDF/A,QDF2 QDF2/A,QDF6,QDF6/A,QDW,QDW/A,QYF,QYF/A,QZA,QZA/A,QZA6,QZA6/A QZB,QZB/A,QZB2,QZB2/A,QZE,QZE/A,QZE3,QZE3/A,QZE4,QZE4/A,QZE6 QZE6/A,QZF,QZF/A,QZF1,QZX5,QZX5/A,TFX2,TFX2/A,VDF2,VDF2/A,VEP4 VEP4/A,VXE,VXE/A,VXE1,VXE3,VXE3/A,VXE4,VXE4/A,VZA,VZA/A,VZA1 VZA1/A,VZA2,VZA2/A,VZE1,VZE1/A	

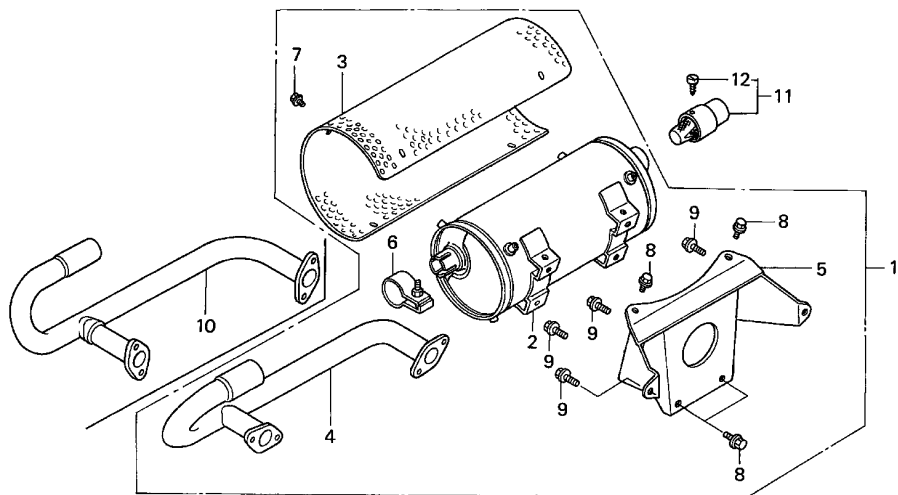
Ref. No.	Part No.	Description	Reqd. QTY				Serial No.	Parts catalogue code
			GX 610	GX 610	GX 610 K1	GX 610		
			(1)	(2)	(3)			
6	18396-ZJ1-003	BAND ASSY. ....	(1)	-	-		QWF/A, QZB/A, QZF1/A, SWD, SWD/A, VD, VD/A, VXD, VXD/A, VXE1/A PZE, PZE/A, QAD2/A, QAF/A, QAF2, QAF2/A, QDE, QDE/A, QDF, QDF/A, QDF2 QDF2/A, QDF6, QDF6/A, QDW, QDW/A, QYF, QYF/A, QZA, QZA/A, QZA6, QZA6/A QZB, QZB2, QZB2/A, QZE, QZE/A, QZE3, QZE3/A, QZE4, QZE4/A, QZE6, QZE6/A QZF, QZF/A, QZF1, QZX5, QZX5/A, TXF2, TXF2/A, VDF2, VDF2/A, VEP4, VEP4/A VXE, VXE/A, VXE1, VXE3, VXE3/A, VXE4, VXE4/A, VZA, VZA/A, VZA1, VZA1/A VZA2, VZA2/A, VZE1, VZE1/A	
7	95701-06008-00	BOLT, FLANGE, 6X8 .....	(6)	-	-		PZE, PZE/A, QAD2/A, QAF/A, QAF2, QAF2/A, QDE, QDE/A, QDF, QDF/A, QDF2 QDF2/A, QDF6, QDF6/A, QDW, QDW/A, QWF, QWF/A, QYF, QYF/A, QZA, QZA/A, QZA6 QZA6/A, QZB, QZB/A, QZB2, QZB2/A, QZE, QZE/A, QZE3, QZE3/A, QZE4, QZE4/A QZE6, QZE6/A, QZF, QZF/A, QZF1, QZF1/A, QZF8/A, QZX5, QZX5/A, SWD/A TXF2, TXF2/A, VD, VD/A, VDF2, VDF2/A, VEP4, VEP4/A, VXD, VXD/A, VXE VXE/A, VXE1, VXE1/A, VXE3, VXE3/A, VXE4, VXE4/A, VZA, VZA/A, VZA1 VZA1/A, VZA2, VZA2/A, VZE1, VZE1/A	
8	95701-08014-00	BOLT, FLANGE, 8X14 .....	(4)	-	-		PZE, PZE/A, QAD2/A, QAF/A, QAF2, QAF2/A, QDE, QDE/A, QDF, QDF/A, QDF2 QDF2/A, QDF6, QDF6/A, QDW, QDW/A, QWF, QWF/A, QYF, QYF/A, QZA, QZA/A, QZA6 QZA6/A, QZB, QZB/A, QZB2, QZB2/A, QZE, QZE/A, QZE3, QZE3/A, QZE4, QZE4/A QZE6, QZE6/A, QZF, QZF/A, QZF1, QZF1/A, QZX5, QZX5/A, SWD, SWD/A, TXF2 TXF2/A, VD, VD/A, VDF2, VDF2/A, VEP4, VEP4/A, VXD, VXD/A, VXE, VXE/A VXE1, VXE1/A, VXE3, VXE3/A, VXE4, VXE4/A, VZA, VZA/A, VZA1, VZA1/A, VZA2 VZA2/A, VZE1, VZE1/A	
9	95701-08020-00	BOLT, FLANGE, 8X20 .....	(4)	-	-		SWD, VD, VXD PZE, PZE/A, QAD2/A, QAF/A, QAF2, QAF2/A, QDE, QDE/A, QDF, QDF/A, QDF2 QDF2/A, QDF6, QDF6/A, QDW, QDW/A, QWF, QWF/A, QYF, QYF/A, QZA, QZA/A, QZA6 QZA6/A, QZB, QZB/A, QZB2, QZB2/A, QZE, QZE/A, QZE3, QZE3/A, QZE4, QZE4/A QZE6, QZE6/A, QZF, QZF/A, QZF1, QZF1/A, QZF8/A, QZX5, QZX5/A, SWD/A TXF2, TXF2/A, VD, VD/A, VDF2, VDF2/A, VEP4, VEP4/A, VXD, VXD/A, VXE, VXE1 VXE1/A, VXE3, VXE3/A, VXE4, VXE4/A, VZA, VZA/A, VZA1, VZA1/A, VZA2 VZA2/A, VZE1, VZE1/A	
10	18330-ZJ1-841	PIPE COMP., EX. (HIGH-R) ....	-	-	1		QWF/A, QZF1/A, SWD, SWD/A, VD, VXD, VXE1/A PZE, PZE/A, QAD2/A, QAF/A, QAF2, QAF2/A, QDE, QDE/A, QDF, QDF/A, QDF2 QDF2/A, QDF6, QDF6/A, QDW, QDW/A, QYF, QYF/A, QZA, QZA/A, QZA6, QZA6/A QZB, QZB/A, QZB2, QZB2/A, QZE, QZE/A, QZE3, QZE3/A, QZE4, QZE4/A, QZE6 QZE6/A, QZF, QZF/A, QZF1, QZF1/A, QZX5, QZX5/A, TXF2, TXF2/A, VDF2, VDF2/A VEP4, VEP4/A, VXD, VXD/A, VXE, VXE/A, VXE1, VXE3, VXE3/A, VXE4, VXE4/A, VZA VZA/A, VZA1, VZA1/A, VZA2, VZA2/A, VZE1, VZE1/A	
11	18355-ZJ1-003	ARRESTER, SPARK .....	(1)	-	(1)		VD, VD/A, VXD, VXD/A PZE, PZE/A, QAD2/A, QAF/A, QAF2, QAF2/A, QDE, QDE/A, QDF, QDF/A, QDF2 QDF2/A, QDF6, QDF6/A, QDW, QDW/A, QWF, QWF/A, QYF, QYF/A, QZA, QZA/A, QZA6 QZA6/A, QZB, QZB/A, QZB2, QZB2/A, QZE, QZE/A, QZE3, QZE3/A, QZE4, QZE4/A QZE6, QZE6/A, QZF, QZF/A, QZF1, QZF1/A, QZX5, QZX5/A, TXF2, TXF2/A, VDF2 VDF2/A, VEP4, VEP4/A, VXE, VXE/A, VXE1, VXE1/A, VXE3, VXE3/A, VXE4 VXE4/A, VZA, VZA/A, VZA1, VZA1/A, VZA2, VZA2/A, VZE1, VZE1/A	
12	90009-ZJ1-801	SCREW, (NELSON) .....	(1)	-	(1)		PZE, PZE/A, QAD2/A, QAF/A, QAF2, QAF2/A, QDE, QDE/A, QDF, QDF/A, QDF2 QDF2/A, QDF6, QDF6/A, QDW, QDW/A, QWF, QWF/A, QYF, QYF/A, QZA, QZA/A, QZA6 QZA6/A, QZB, QZB/A, QZB2, QZB2/A, QZE, QZE/A, QZE3, QZE3/A, QZE4, QZE4/A QZE6, QZE6/A, QZF, QZF/A, QZF1, QZF1/A, QZX5, QZX5/A, TXF2, TXF2/A, VD VD/A, VDF2, VDF2/A, VEP4, VEP4/A, VXD, VXD/A, VXE, VXE/A, VXE1, VXE1/A VXE3, VXE3/A, VXE4, VXE4/A, VZA, VZA/A, VZA1, VZA1/A, VZA2, VZA2/A, VZE1 VZE1/A	
13	94111-06800	WASHER, SPRING, 6MM .....	(6)	-	-		PZE, QAF, QAF2, QDE, QDF, QDW, QYF, QZA, QZB, QZD, QZD1, QZE, TXF2, VXA3 VXE, VZA	





E-16-1

MUFFLER(2)



FR. ZJ00-E1601A

Ref. No.	L.O.N.	(Relative ref. Number) Description	F.R.T.
1	3131C4	MUFFLER KIT .....	0.3
2	3131C5	MUFFLER, EXHAUST .....	0.3
3	3131D6	PROTECTOR, EXHAUST MUFFLER ...	0.1
4		(10)	
	3131C9	PIPE, EXHAUST .....	0.4
5	3131E1	STAY, MUFFLER .....	0.4
11	3131A1	ARRESTER, SPARK .....	0.1

Ref. No.	Part No.	Description	Reqd. QTY				Serial No.	Parts catalogue code
			GX 610	GX 610	GX 610 K1	GX 610 (3)		
1	06183-ZJ1-820	MUFFLER KIT (HIGH-B) .....	(1)	-	-	-		
2	18310-ZJ1-003	MUFFLER COMP. (HIGH) .....	(1)	-	-	-		
	18310-ZJ1-013	.....	-	-	1	-	QWF/A,QZF1,QZF1/A,SWD/A,VD/A,VXD/A,VXE1,VXE1/A PZE,PZE/A,QAD2,QAD2/A,QAF,QAF/A,QAF2,QAF2/A,QDE,QDE/A,QDF QDF/A,QDF2,QDF2/A,QDF6,QDF6/A,QDW,QDW/A,QYF,QYF/A,QZA,QZA/A QZA6,QZA6/A,QZB,QZB/A,QZB2,QZB2/A,QZE,QZE/A,QZE3,QZE3/A,QZE4 QZE4/A,QZE6,QZE6/A,QZF,QZF/A,QZX5,QZX5/A,TFX2,TFX2/A,VD,VDF2 VDF2/A,VEP4,VEP4/A,VXD,VXE,VXE/A,VXE3,VXE3/A,VXE4,VXE4/A,VZA VZA/A,VZA1,VZA1/A,VZA2,VZA2/A,VZE1,VZE1/A	
3	18321-ZJ1-003	PROTECTOR, MUFFLER (HIGH) ...	(1)	-	-	-		
		.....	-	-	1	-	QWF/A,QZF1,QZF1/A,VD/A,VXD/A,VXE1,VXE1/A PZE,PZE/A,QAD2,QAD2/A,QAF,QAF/A,QAF2,QAF2/A,QDE,QDE/A,QDF QDF/A,QDF2,QDF2/A,QDF6,QDF6/A,QDW,QDW/A,QYF,QYF/A,QZA,QZA/A QZA6,QZA6/A,QZB,QZB/A,QZB2,QZB2/A,QZE,QZE/A,QZE3,QZE3/A,QZE4 QZE4/A,QZE6,QZE6/A,QZF,QZF/A,QZX5,QZX5/A,TFX2,TFX2/A,VD,VDF2 VDF2/A,VEP4,VEP4/A,VXD,VXE,VXE/A,VXE3,VXE3/A,VXE4,VXE4/A,VZA VZA/A,VZA1,VZA1/A,VZA2,VZA2/A,VZE1,VZE1/A	
4	18330-ZJ1-601	PIPE COMP., EX. (HIGH-L) .....	(1)	-	-	-		
5	18338-ZJ1-003	STAY, MUFFLER (HIGH) .....	(1)	-	-	-		
	18338-ZJ1-841	.....	-	-	1	-	QWF/A,QZF1,QZF1/A,SWD/A,VD/A,VXD/A,VXE1,VXE1/A PZE,PZE/A,QAD2,QAD2/A,QAF,QAF/A,QAF2,QAF2/A,QDE,QDE/A,QDF QDF/A,QDF2,QDF2/A,QDF6,QDF6/A,QDW,QDW/A,QYF,QYF/A,QZA,QZA/A QZA6,QZA6/A,QZB,QZB/A,QZB2,QZB2/A,QZE,QZE/A,QZE3,QZE3/A,QZE4 QZE4/A,QZE6,QZE6/A,QZF,QZF/A,QZX5,QZX5/A,TFX2,TFX2/A,VD,VDF2 VDF2/A,VEP4,VEP4/A,VXD,VXE,VXE/A,VXE3,VXE3/A,VXE4,VXE4/A,VZA VZA/A,VZA1,VZA1/A,VZA2,VZA2/A,VZE1,VZE1/A	

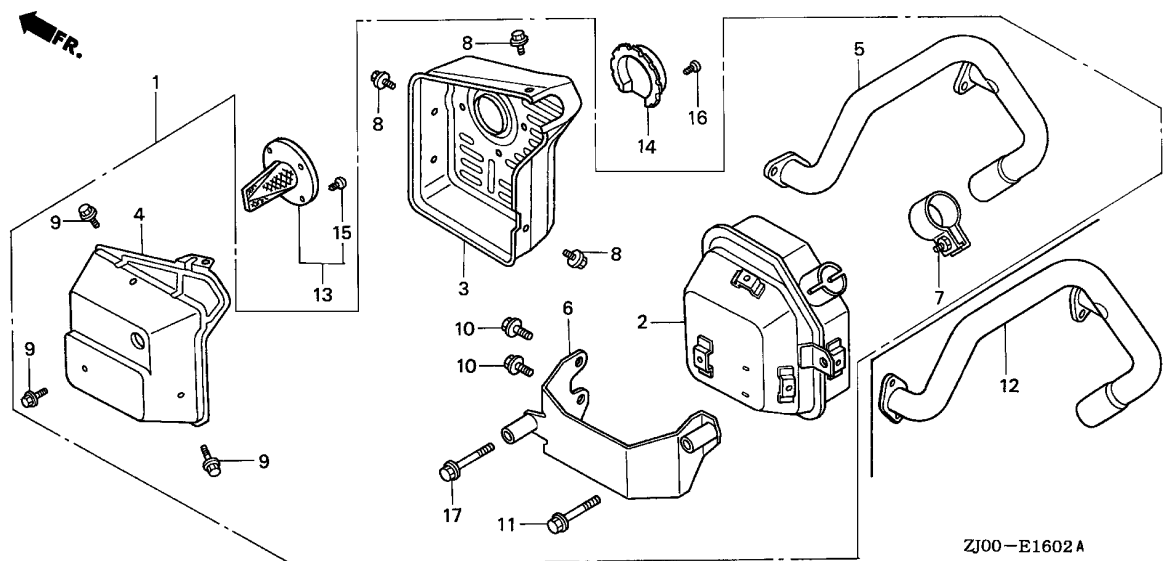
Ref. No.	Part No.	Description	Reqd. QTY				Serial No.	Parts catalogue code
			GX 610	GX 610	GX 610 K1	GX 610		
			(1)	(2)	(3)			
6	18396-ZJ1-003	BAND ASSY. ....	(1)	-	-		QWF/A, QZB/A, QZF1, QZF1/A, SWD/A, VD/A, VXD/A, VXE1, VXE1/A PZE, PZE/A, QAD2, QAD2/A, QAF, QAF/A, QAF2, QAF2/A, QDE, QDE/A, QDF QDF/A, QDF2, QDF2/A, QDF6, QDF6/A, QDW, QDW/A, QYF, QYF/A, QZA, QZA/A QZA6, QZA6/A, QZB, QZB2, QZB2/A, QZE, QZE/A, QZE3, QZE3/A, QZE4, QZE4/A QZE6, QZE6/A, QZF, QZF/A, QZX5, QZX5/A, TXF2, TXF2/A, VD, VDF2, VDF2/A VEP4, VEP4/A, VXD, VXE, VXE/A, VXE3, VXE3/A, VXE4, VXE4/A, VZA, VZA/A VZA1, VZA1/A, VZA2, VZA2/A, VZE1, VZE1/A	
7	95701-06008-00	BOLT, FLANGE, 6X8 .....	(6)	-	-		PZE, PZE/A, QAD2, QAD2/A, QAF, QAF/A, QAF2, QAF2/A, QDE, QDE/A, QDF QDF/A, QDF2, QDF2/A, QDF6, QDF6/A, QDW, QDW/A, QYF, QYF/A, QZA QZA/A, QZA6, QZA6/A, QZB, QZB/A, QZB2, QZB2/A, QZE, QZE/A, QZE3, QZE3/A QZE4, QZE4/A, QZE6, QZE6/A, QZF, QZF/A, QZF1, QZF1/A, QZF8/A, QZX5 QZX5/A, SWD/A, TXF2, TXF2/A, VD, VD/A, VDF2, VDF2/A, VEP4, VEP4/A, VXD VXD/A, VXE, VXE/A, VXE1, VXE1/A, VXE3, VXE3/A, VXE4, VXE4/A, VZA, VZA/A VZA1, VZA1/A, VZA2, VZA2/A, VZE1, VZE1/A	
8	95701-08014-00	BOLT, FLANGE, 8X14 .....	(4)	-	-		QWF/A, QZF1, QZF1/A, SWD/A, VD/A, VXD/A, VXE1, VXE1/A PZE, PZE/A, QAD2, QAD2/A, QAF, QAF/A, QAF2, QAF2/A, QDE, QDE/A, QDF QDF/A, QDF2, QDF2/A, QDF6, QDF6/A, QDW, QDW/A, QYF, QYF/A, QZA, QZA/A QZA6, QZA6/A, QZB, QZB/A, QZB2, QZB2/A, QZE, QZE/A, QZE3, QZE3/A, QZE4 QZE4/A, QZE6, QZE6/A, QZF, QZF/A, QZX5, QZX5/A, TXF2, TXF2/A, VD, VDF2 VDF2/A, VEP4, VEP4/A, VXD, VXE, VXE/A, VXE3, VXE3/A, VXE4, VXE4/A, VZA VZA/A, VZA1, VZA1/A, VZA2, VZA2/A, VZE1, VZE1/A	
9	95701-08020-00	BOLT, FLANGE, 8X20 .....	(4)	-	-		PZE, PZE/A, QAD2, QAD2/A, QAF, QAF/A, QAF2, QAF2/A, QDE, QDE/A, QDF QDF/A, QDF2, QDF2/A, QDF6, QDF6/A, QDW, QDW/A, QYF, QYF/A, QZA QZA/A, QZA6, QZA6/A, QZB, QZB/A, QZB2, QZB2/A, QZE, QZE/A, QZE3, QZE3/A QZE4, QZE4/A, QZE6, QZE6/A, QZF, QZF/A, QZF1, QZF1/A, QZF8/A, QZX5 QZX5/A, SWD/A, TXF2, TXF2/A, VD, VD/A, VDF2, VDF2/A, VEP4, VEP4/A, VXD VXD/A, VXE, VXE/A, VXE1, VXE1/A, VXE3, VXE3/A, VXE4, VXE4/A, VZA, VZA/A VZA1, VZA1/A, VZA2, VZA2/A, VZE1, VZE1/A	
10	18330-ZJ1-851	PIPE COMP., EX. (HIGH-L) ....	-	-	1		QZF1, VD/A, VXD/A, VXE1 PZE, PZE/A, QAD2, QAD2/A, QAF, QAF/A, QAF2, QAF2/A, QDE, QDE/A, QDF QDF/A, QDF2, QDF2/A, QDF6, QDF6/A, QDW, QDW/A, QYF, QYF/A, QZA, QZA/A QZA6, QZA6/A, QZB, QZB/A, QZB2, QZB2/A, QZE, QZE/A, QZE3, QZE3/A, QZE4 QZE4/A, QZE6, QZE6/A, QZF, QZF/A, QZF1, QZF1/A, QZX5, QZX5/A, TXF2, TXF2/A, VD VDF2, VDF2/A, VEP4, VEP4/A, VXD, VXE, VXE/A, VXE1, VXE3, VXE3/A, VXE4 VXE4/A, VZA, VZA/A, VZA1, VZA1/A, VZA2, VZA2/A, VZE1, VZE1/A	
11	18355-ZJ1-003	ARRESTER, SPARK .....	-	-	1		VD/A, VXD/A PZE, PZE/A, QAD2, QAD2/A, QAF, QAF/A, QAF2, QAF2/A, QDE, QDE/A, QDF QDF/A, QDF2, QDF2/A, QDF6, QDF6/A, QDW, QDW/A, QYF, QYF/A, QZA QZA/A, QZA6, QZA6/A, QZB, QZB/A, QZB2, QZB2/A, QZE, QZE/A, QZE3, QZE3/A QZE4, QZE4/A, QZE6, QZE6/A, QZF, QZF/A, QZF1, QZF1/A, QZX5, QZX5/A, TXF2 TXF2/A, VD, VDF2, VDF2/A, VEP4, VEP4/A, VXD, VXE, VXE/A, VXE1, VXE1/A VXE3, VXE3/A, VXE4, VXE4/A, VZA, VZA/A, VZA1, VZA1/A, VZA2, VZA2/A, VZE1 VZE1/A	
12	90009-ZJ1-801	SCREW, (NELSON) .....	-	-	1		VD/A, VXD/A PZE, PZE/A, QAD2, QAD2/A, QAF, QAF/A, QAF2, QAF2/A, QDE, QDE/A, QDF QDF/A, QDF2, QDF2/A, QDF6, QDF6/A, QDW, QDW/A, QYF, QYF/A, QZA QZA/A, QZA6, QZA6/A, QZB, QZB/A, QZB2, QZB2/A, QZE, QZE/A, QZE3, QZE3/A QZE4, QZE4/A, QZE6, QZE6/A, QZF, QZF/A, QZF1, QZF1/A, QZX5, QZX5/A, TXF2 TXF2/A, VD, VDF2, VDF2/A, VEP4, VEP4/A, VXD, VXE, VXE/A, VXE1, VXE1/A VXE3, VXE3/A, VXE4, VXE4/A, VZA, VZA/A, VZA1, VZA1/A, VZA2, VZA2/A, VZE1 VZE1/A	



E-16-2

MUFFLER(3)

H 6



Ref. No.	L.O.N.	(Relative ref. Number) Description	F.R.T.
1	3131H8	MUFFLER KIT(A) .....	0.2
2	3131C5	MUFFLER, EXHAUST .....	0.3
3	3131D6	PROTECTOR, EXHAUST MUFFLER ...	0.1
4	3131D3	PROTECTOR, EXHAUST MUFFLER :REAR .....	0.3
5		(12)	
	3131G1	PIPE, EXHAUST(A) .....	0.3
6	3131G3	STAY, MUFFLER(A) .....	0.3
13	3131F9	ARRESTER, SPARK(A) .....	0.2

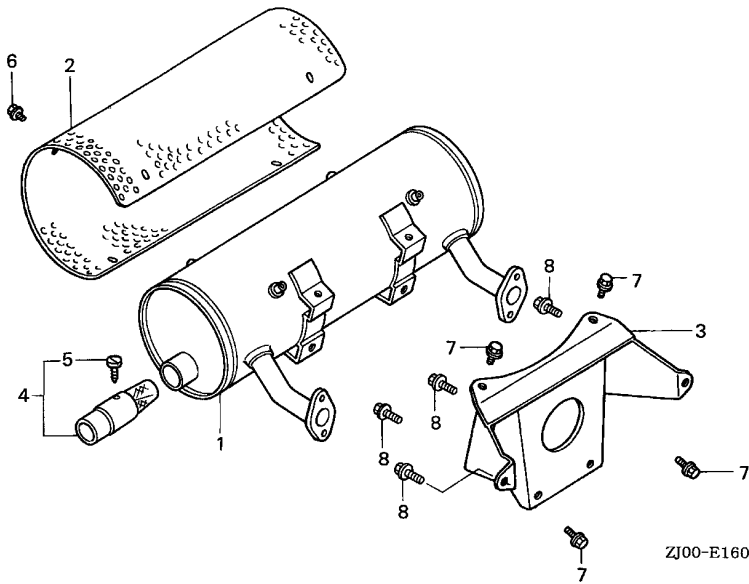
ZJ00-E1602A

Ref. No.	Part No.	Description	Reqd. QTY				Serial No.	Parts catalogue code
			GX 610	GX 610	GX 610 K1	GX 610		
1	06183-ZJ1-830	MUFFLER KIT (SIDE-L) .....	(1)	-	-	-		
2	18310-ZJ1-801	MUFFLER COMP. (SIDE-L) .....	(1)	-	-	-		
			-	-	1	-	QZB,QZB/A	
			-	-	(1)	-	QZA,QZA/A,QZA6,QZA6/A,VZA,VZA/A,VZA1,VZA1/A,VZA2,VZA2/A,VZE1 VZE1/A	
3	18321-ZJ1-801	PROTECTOR, MUFFLER (SIDE-L) .....	(1)	-	-	-		
	18321-ZJ1-841	.....	-	-	1	-	QZB,QZB/A	
			-	-	(1)	-	QZA,QZA/A,QZA6,QZA6/A,VZA,VZA/A,VZA1,VZA1/A,VZA2,VZA2/A,VZE1 VZE1/A	
4	18325-ZJ1-801	PROTECTOR, RR. MUFFLER (SIDE-L) .....	(1)	-	-	-		
			-	-	1	-	QZB,QZB/A	
			-	-	(1)	-	QZA,QZA/A,QZA6,QZA6/A,VZA,VZA/A,VZA1,VZA1/A,VZA2,VZA2/A,VZE1 VZE1/A	
5	18330-ZJ1-801	PIPE COMP., EX. (SIDE-L) .....	(1)	-	-	-		
6	18338-ZJ1-801	STAY, MUFFLER (SIDE-L) .....	(1)	-	-	-		
	18338-ZJ1-851	.....	-	-	1	-	QZB,QZB/A	
			-	-	(1)	-	QZA,QZA/A,QZA6,QZA6/A,VZA,VZA/A,VZA1,VZA1/A,VZA2,VZA2/A,VZE1 VZE1/A	
7	18396-ZJ1-003	BAND ASSY. ....	(1)	-	-	-		
			-	-	1	-	QZB,QZB/A	
			-	-	(1)	-	QZA,QZA/A,QZA6,QZA6/A,VZA,VZA/A,VZA1,VZA1/A,VZA2,VZA2/A,VZE1 VZE1/A	
8	93500-06008-0A	SCREW, PAN, 6X8 .....	(4)	-	-	-		
	95701-06008-00	BOLT, FLANGE, 6X8 .....	-	-	4	-	QZB,QZB/A	
			-	-	(4)	-	QZA,QZA/A,QZA6,QZA6/A,VZA,VZA/A,VZA1,VZA1/A,VZA2,VZA2/A,VZE1 VZE1/A	

2

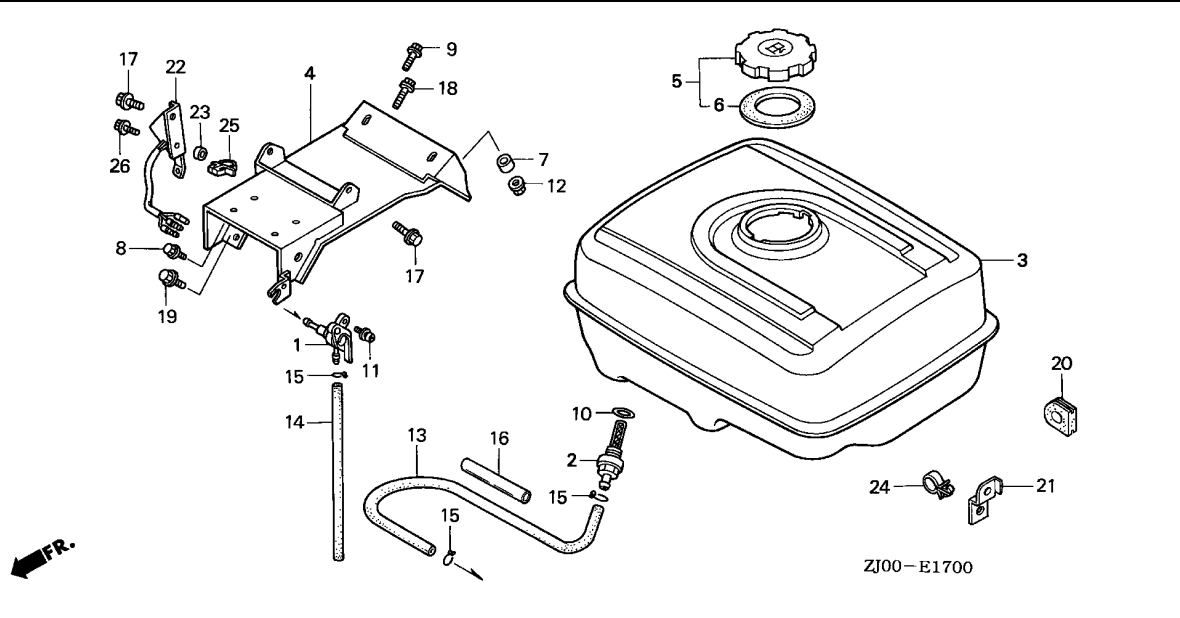
Ref. No.	Part No.	Description	Reqd. QTY				Serial No.	Parts catalogue code
			GX 610	GX 610	GX 610 K1	GX 610		
			(1)	(2)	(3)			
9	95701-06008-00	BOLT, FLANGE, 6X8 .....	(3)	-	-			
			-	-	3	-----	QZB,QZB/A	
			-	-	(3)	-----	QZA,QZA/A,QZA6,QZA6/A,VZA,VZA/A,VZA1,VZA1/A,VZA2,VZA2/A,VZE1 VZE1/A	
10	95701-08014-00	BOLT, FLANGE, 8X14 .....	(2)	-	-			
			-	-	2	-----	QZB,QZB/A	
			-	-	(2)	-----	QZA,QZA/A,QZA6,QZA6/A,VZA,VZA/A,VZA1,VZA1/A,VZA2,VZA2/A,VZE1 VZE1/A	
11	95701-08055-00	BOLT, FLANGE, 8X55 .....	(1)	-	-			
	95701-06050-00	BOLT, FLANGE, 6X50 .....	-	-	1	-----	QZB,QZB/A	
			-	-	(1)	-----	QZA,QZA/A,QZA6,QZA6/A,VZA,VZA/A,VZA1,VZA1/A,VZA2,VZA2/A,VZE1 VZE1/A	
12	18330-ZJ1-861	PIPE COMP., EX. (SIDE-L) ....	-	-	1	-----	QZB,QZB/A	
			-	-	(1)	-----	QZA,QZA/A,QZA6,QZA6/A,VZA,VZA/A,VZA1,VZA1/A,VZA2,VZA2/A,VZE1 VZE1/A	
13	18355-ZJ1-801	ARRESTER, SPARK .....	(1)	-	-	(1)		
			-	-	(1)	-----	QZA,QZA/A,QZA6,QZA6/A,QZB,QZB/A,QZB2,QZB2/A,VZA,VZA/A,VZA1 VZA1/A,VZA2,VZA2/A,VZE1,VZE1/A	
14	18431-ZJ1-801	DEFLECTOR, MUFFLER .....	(1)	-	-	(1)		
			-	-	(1)	-----	QZA,QZA/A,QZA6,QZA6/A,QZB,QZB/A,QZB2,QZB2/A,VZA,VZA/A,VZA1 VZA1/A,VZA2,VZA2/A,VZE1,VZE1/A	
15	90009-ZJ1-801	SCREW, (NELSON) .....	(4)	-	-	(4)		
			-	-	(4)	-----	QZA,QZA/A,QZA6,QZA6/A,QZB,QZB/A,QZB2,QZB2/A,VZA,VZA/A,VZA1 VZA1/A,VZA2,VZA2/A,VZE1,VZE1/A	
16	93903-34110	SCREW, TAPPING, 4X8 .....	(4)	-	-	(4)		
			-	-	(4)	-----	QZA,QZA/A,QZA6,QZA6/A,QZB,QZB/A,QZB2,QZB2/A,VZA,VZA/A,VZA1 VZA1/A,VZA2,VZA2/A,VZE1,VZE1/A	
17	95701-08050-00	BOLT, FLANGE, 8X50 .....	-	-	1	-----	QZB,QZB/A	
			-	-	(1)	-----	QZA,QZA/A,QZA6,QZA6/A,VZA,VZA/A,VZA1,VZA1/A,VZA2,VZA2/A,VZE1 VZE1/A	
	95701-08055-00	BOLT, FLANGE, 8X55 .....	(1)	-	-			





Ref. No.	L.O.N.	(Relative ref. Number) Description	F.R.T.
1	3131F7	MUFFLER, EXHAUST(A) .....	0.6
2	3131L9	PROTECTOR, EXHAUST MUFFLER(A) .....	0.2
3	3131G4	STAY, MUFFLER(B) .....	0.6
4	3131A1	ARRESTER, SPARK .....	0.1

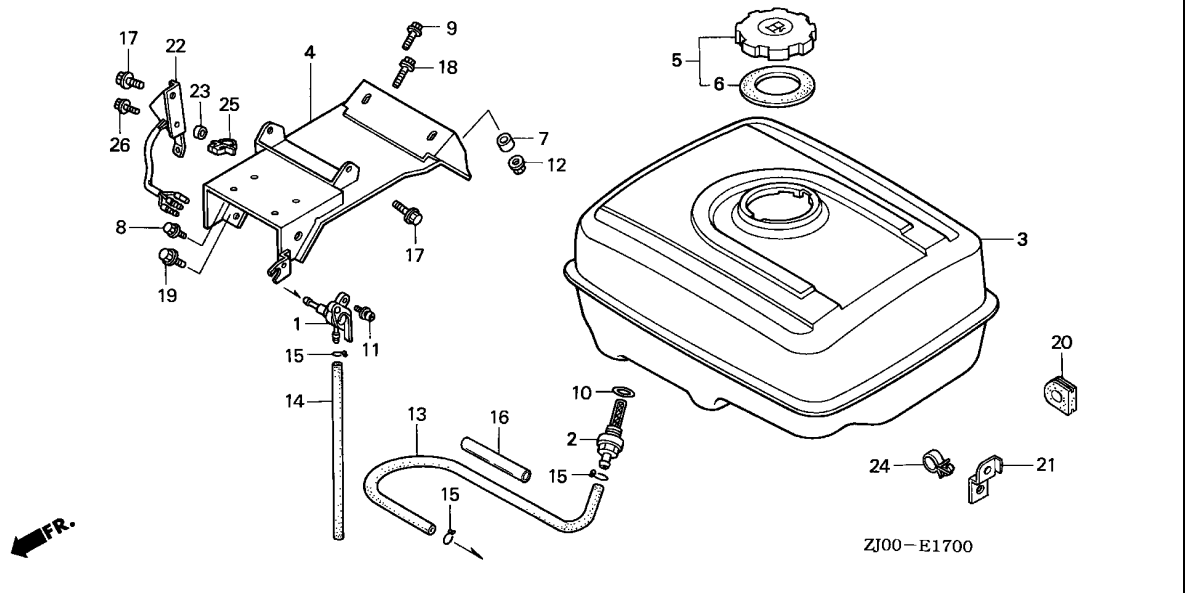
Ref. No.	Part No.	Description	Reqd. QTY				Serial No.	Parts catalogue code
			GX 610 (1)	GX 610 (2)	GX 610 K1 (3)	GX 610 (3)		
1	18310-ZN1-003	MUFFLER COMP. (HIGH-R) .....	-	-	1	-	----- QDX2,QDX2/A	
2	18321-ZN1-003	PROTECTOR, MUFFLER .....	-	-	1	-	----- QDX2,QDX2/A	
3	18338-ZJ1-841	STAY, MUFFLER (HIGH) .....	-	-	1	-	----- QDX2,QDX2/A	
4	18355-ZN1-003	ARRESTER, SPARK .....	-	-	(1)	-	----- QDX2,QDX2/A	
5	90009-ZJ1-801	SCREW, (NELSON) .....	-	-	(1)	-	----- QDX2,QDX2/A	
6	95701-06008-00	BOLT, FLANGE, 6X8 .....	-	-	6	-	----- QDX2,QDX2/A	
7	95701-08014-00	BOLT, FLANGE, 8X14 .....	-	-	4	-	----- QDX2,QDX2/A	
8	95701-08020-00	BOLT, FLANGE, 8X20 .....	-	-	4	-	----- QDX2,QDX2/A	



Ref. No.	L.O.N.	(Relative ref. Number) Description	F.R.T.
1	3101A3	COCK, FUEL (10)	0.1
2	3101H6	JOINT, FUEL STRAINER	0.2
3	3101H7	TANK, FUEL	0.2
4	3101E0	STAY, FUEL TANK	0.2
13	3101F1	TUBE, FUEL TANK	0.2
22	6151G0	SWITCH, ENGINE STOP(A)	0.1

Ref. No.	Part No.	Description	Reqd. QTY				Serial No.	Parts catalogue code
			GX 610	GX 610	GX 610 K1	GX 610		
			(1)	(2)	(3)			
1	16950-YA0-802	COCK ASSY., FUEL	1	-	-	QAF2,QZD1		
2	16955-ZE1-000	JOINT, FUEL TANK	1	-	-	1017230 QXE4		
3	17510-ZE3-010ZB	TANK COMP., FUEL *NH1*.....BLACK	1	-	-	1017230 QZD1		
	17510-ZE3-010ZC	*R8*.....BRIGHT RED	1	-	-	1017230 QXE4		
4	17560-ZJ0-U70	STAY COMP., FUEL TANK	1	-	-	1017230 QAF2,QZD1,TFX2		
5	17620-ZH7-013	CAP COMP., FUEL FILLER	1	-	-	1017230 QXE4		
	17620-ZH7-023	CAP COMP., FUEL FILLER (BLACK)	1	-	-	1017200 QAF2,QZD1		
6	17631-ZH7-003	PACKING, FUEL FILLER CAP (39X58X3)	1	-	-	1017201 QAF2,QZD1		
7	50203-MS8-000	COLLAR, FR. ENGINE HANGER (A)	1	-	-	1017230 QXE4		
8	95701-06025-00	BOLT, FLANGE, 6X25	2	-	-	1017230 QAF2,QZD1		
	90018-ZE1-000	BOLT, FLANGE, 6X23(CT200)	2	-	-	1017230 QXE4		
9	95701-06020-00	BOLT, FLANGE, 6X20	1	-	-	1010962 QZD1,TFX2		
	90022-888-010	BOLT, FLANGE, 6X20(CT200)	1	-	-	1017230 QAF2		
10	91353-671-004	O-RING, 14MM(NOK)	1	-	-	1010962 QZD1,TFX2		
			1	-	-	1017230 QAF2,QXE4		
			1	-	-	1017230 QAF2,QZD1		
			1	-	-	1017230 QXE4		

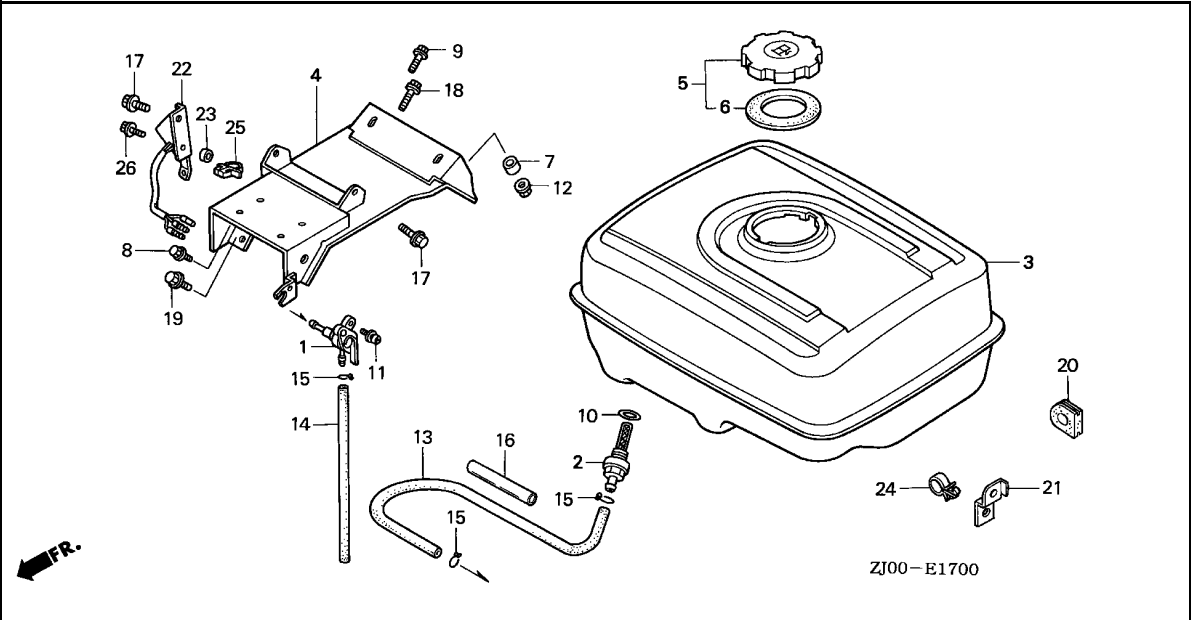




FR.

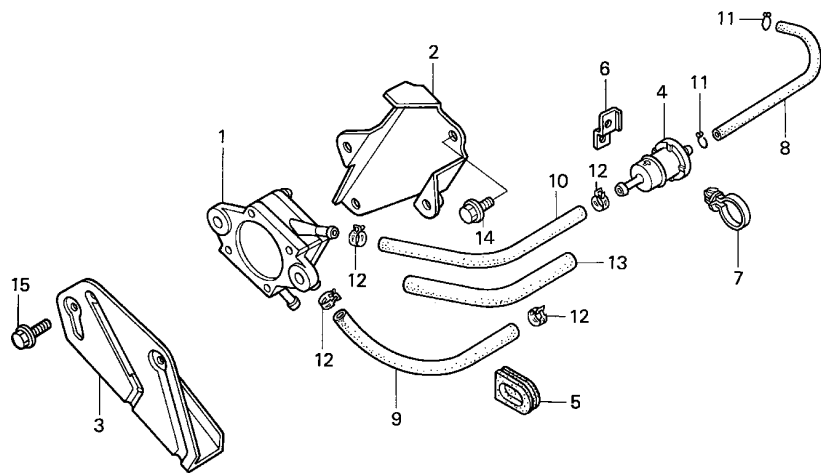
ZJ00-E1700

Ref. No.	Part No.	Description	Reqd. QTY			Serial No.	Parts catalogue code	
			GX 610	GX 610	GX 610 K1			
11	93891-05014-00	SCREW-WASHER, 5X14	1	-	-	-----	QAF2,QZD1	
12	94050-08000	NUT, FLANGE, 8MM	1	-	-	1017230	-----	QXE4
12			2	-	-	1017230	-----	QAF2,QZD1
12			2	-	-	1017230	-----	QXE4
13	95001-45260-40	TUBE, FUEL, 4.5X260 (95001-45001-60M)	1	-	-	-----	QAF2,QZD1	
13			1	-	-	1017230	-----	QXE4
14	95001-45355-40	TUBE, FUEL, 4.5X355 (95001-45001-60M)	1	-	-	-----	QAF2,QZD1	
14			1	-	-	1017230	-----	QXE4
15	95002-02080	CLIP, TUBE (B8)	3	-	-	-----	QAF2,QZD1	
15			3	-	-	1017230	-----	QXE4
16	95003-25018-20	TUBE, VINYL, 9X11X180 (95003-25001-10M)	1	-	-	1017230	-----	QXE4
16	95003-36016-20	TUBE, VINYL, 11X13X160 (95003-36001-10M)	1	-	-	-----	QAF2,QZD1	
16			1	-	-	-----	QAF2,QZD1	
17	95701-08016-00	BOLT, FLANGE, 8X16	2	-	-	-----	QAF2,QZD1	
17			2	-	-	1017230	-----	QXE4
17			2	-	-	-----	QAF2,QZD1,TFX2	
18	95701-08025-00	BOLT, FLANGE, 8X25	2	-	-	-----	QAF2,QZD1,TFX2	
18			2	-	-	1017230	-----	QXE4
19	95701-08030-00	BOLT, FLANGE, 8X30	2	-	-	-----	QAF2,QZD1,TFX2	
19			2	-	-	1017230	-----	QXE4
20	19905-ZA8-701	GROMMET, CORD	1	-	-	-----	QZD1	
21	35806-752-630	BASE, CLIP	1	-	-	-----	QAF2,QZD1	
22	36100-ZJ0-V11	SWITCH ASSY., ENGINE STOP	1	-	-	-----	QZD1	
23	90501-GK8-870	COLLAR, MUFFLER MOUNTING	1	-	-	-----	QZD1	



Ref. No.	Part No.	Description	Reqd. QTY				Serial No.	Parts catalogue code
			GX 610	GX 610	GX 610 K1	GX 610 (3)		
24	90674-769-000	CLAMP, P.T.O. CABLE (B) .....	1	-	-	-	----- QAF2,QZD1	
25	90682-ZE6-000	CLIP, FUEL TUBE .....	1	-	-	-	----- QZD1	
26	95701-06014-00	BOLT, FLANGE, 6X14 .....	1	-	-	-	----- QZD1	



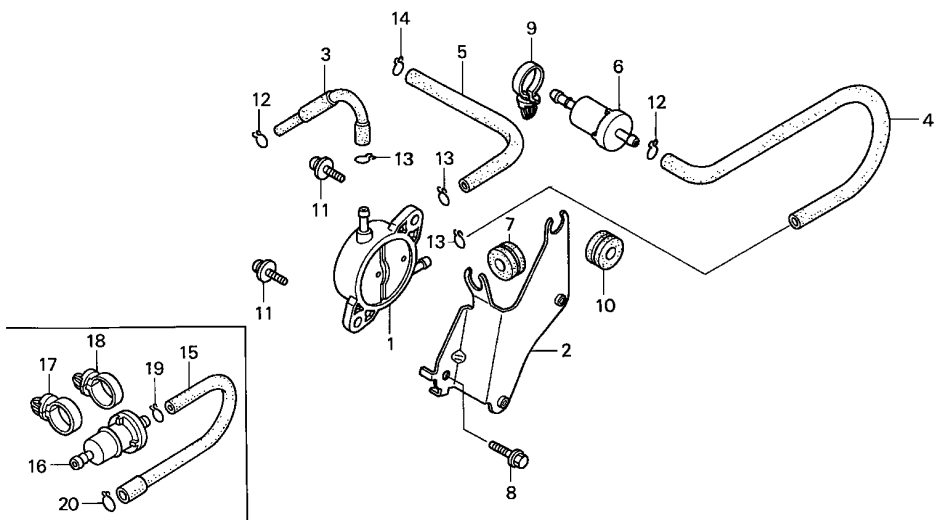


ZJ00-E1800A

Ref. No.	L.O.N.	(Relative ref. Number) Description	F.R.T.
1	3101H9	PUMP, FUEL .....	0.2
2	3101J7	STAY, FUEL PUMP .....	0.2
3	3101A4	COVER, FUEL PUMP .....	0.1
4	3101H8	STRAINER, FUEL .....	0.2
8	3101F6	TUBE, FUEL .....	0.2
9	3101K7	TUBE, FUEL PUMP .....	0.2
10	3101K8	TUBE, FUEL PUMP (A) .....	0.2

Ref. No.	Part No.	Description	Reqd. QTY				Serial No.	Parts catalogue code
			GX 610	GX 610	GX 610 K1	GX 610 (3)		
1	16700-ZJ1-003	PUMP ASSY., FUEL .....	1	-	-	-	PZE,QAC6,QAF,QDA1,QDE,QDE1,QDE6,QDF,QDF2,QDF6,QDW,QXF6,QYF,QZA,QZA1,QZA6,QZB,QZD,QZE,QZE4,QZE6,QZF,QZF1,QZF6,QZX4,TXF2,VD,VXA3,VXD,VXE,VXE1,VXE3,VXE4,VZA,VZA1,VZA4	
			1	-	-	-	1017229 QXE4	
2	16711-ZJ1-800	STAY, FUEL PUMP .....	1	(1)	-	-	PZE,QAC6,QAF,QDA1,QDE,QDE1,QDE6,QDF,QDF2,QDF6,QDW,QXF6,QYF,QZA,QZA1,QZA6,QZB,QZD,QZE,QZE4,QZE6,QZF,QZF1,QZF6,QZX4,TXF2,VD,VXA3,VXD,VXE,VXE1,VXE3,VXE4,VZA,VZA1,VZA4	
			1	-	-	-	1017229 QXE4	
3	16715-ZJ1-820	COVER, FUEL PUMP .....	1	(1)	-	-	QDA1,QZA,QZA1,QZA6,QZB,QZD,VXA3,VZA,VZA1,VZA4	
4	16910-ZE8-005	STRAINER COMP., FUEL .....	1	(1)	-	-	1003179 QAF,QDE,QDF,QYF,QZA,QZB,QZE,QZF,VXE,VZA	
	16910-ZE8-015	.....	1	-	-	-	1003179 PZE,QAC6,QDA1,QDE1,QDE6,QDF2,QDF6,QDW,QXF6,QZA1,QZA6,QZD,QZE4,QZE6,QZF1,QZF6,QZX4,TXF2,VD,VXA3,VXD,VXE1,VXE3,VXE4,VZA1,VZA4	
			1	-	-	-	1003180 QAF,QDE,QDF,QYF,QZA,QZB,QZE,QZF,VXE,VZA	
			1	-	-	-	1017229 QXE4	
5	19905-ZA8-701	GROMMET, CORD .....	1	-	-	-	1003180 PZE,QAC6,QAF,QDA1,QDE,QDE1,QDE6,QDF,QDF2,QDF6,QDW,QXE4,QXF6,QYF,QZA,QZA1,QZA6,QZB,QZD,QZE,QZE4,QZE6,QZF,QZF1,QZF6,QZX4,TXF2,VXA3,VXE,VXE1,VXE3,VXE4,VZA,VZA1,VZA4	
			-	(1)	-	1		
6	35806-752-630	BASE, CLIP .....	1	-	-	-	PZE,QAC6,QAF,QDA1,QDE,QDE1,QDE6,QDF,QDF2,QDF6,QDW,QXE4,QXF6,QYF,QZA,QZA1,QZA6,QZB,QZD,QZE,QZE4,QZE6,QZF,QZF1,QZF6,QZX4,TXF2,VD,VXA3,VXD,VXE,VXE1,VXE3,VXE4,VZA,VZA1,VZA4	
			-	1	-	-		

Ref. No.	Part No.	Description	Reqd. QTY				Serial No.	Parts catalogue code
			GX 610	GX 610	GX 610 K1	GX 610		
			(1)	(2)	(3)			
7	90617-SA0-003	CLIP, WIRE HARNESS .....	1	-	-	-	PZE,QAC6,QAF,QDA1,QDE,QDE1,QDE6,QDF,QDF2,QDF6,QDW,QXF6,QYF,QZA QZA1,QZA6,QZB,QZD,QZE,QZE4,QZE6,QZF,QZF1,QZF6,QZX4,TFX2,VD VXA3,VXD,VXE,VXE1,VXE3,VXE4,VZA,VZA1,VZA4	
			1	-	-	1017229	QXE4	
	90674-769-000	CLAMP, P.T.O. CABLE (B) .....	1	-	-	1017230	QXE4	
8	95001-45110-40	TUBE, FUEL, 4.5X110 (95001-45001-60M)	1	-	-	-	PZE,QAC6,QAF,QDA1,QDE,QDE1,QDE6,QDF,QDF2,QDF6,QDW,QXF6,QYF,QZA QZA1,QZA6,QZB,QZD,QZE,QZE4,QZE6,QZF,QZF1,QZF6,QZX4,TFX2,VD VXA3,VXD,VXE,VXE1,VXE3,VXE4,VZA,VZA1,VZA4	
			1	-	-	1017229	QXE4	
			-	1	-	-		
9	95001-55195-40	TUBE, FUEL, 5.3X195 (95001-55001-60M)	1	-	-	-	PZE,QAC6,QAF,QDA1,QDE,QDE1,QDE6,QDF,QDF2,QDF6,QDW,QXE4,QXF6 QYF,QZA,QZA1,QZA6,QZB,QZD,QZE,QZE4,QZE6,QZF,QZF1,QZF6,QZX4 TFX2,VD,VXA3,VXD,VXE,VXE1,VXE3,VXE4,VZA,VZA1,VZA4	
			-	1	-	-		
10	95001-55215-40	TUBE, FUEL, 5.5X215 (95001-55001-60M)	1	-	-	-	PZE,QAC6,QAF,QDA1,QDE,QDE1,QDE6,QDF,QDF2,QDF6,QDW,QXF6,QYF,QZA QZA1,QZA6,QZB,QZD,QZE,QZE4,QZE6,QZF,QZF1,QZF6,QZX4,TFX2,VD VXA3,VXD,VXE,VXE1,VXE3,VXE4,VZA,VZA1,VZA4	
			1	-	-	1017229	QXE4	
			-	1	-	-		
11	95002-02080	CLIP, TUBE (B8) .....	2	-	-	-	PZE,QAC6,QAF,QDA1,QDE,QDE1,QDE6,QDF,QDF2,QDF6,QDW,QXF6,QYF,QZA QZA1,QZA6,QZB,QZD,QZE,QZE4,QZE6,QZF,QZF1,QZF6,QZX4,TFX2,VD VXA3,VXD,VXE,VXE1,VXE3,VXE4,VZA,VZA1,VZA4	
			2	-	-	1017229	QXE4	
			-	2	-	-		
12	95002-41050-08	CLAMP, TUBE (D10.5) .....	4	-	-	-	PZE,QAC6,QAF,QDA1,QDE,QDE1,QDE6,QDF,QDF2,QDF6,QDW,QXF6,QYF,QZA QZA1,QZA6,QZB,QZD,QZE,QZE4,QZE6,QZF,QZF1,QZF6,QZX4,TFX2,VD VXA3,VXD,VXE,VXE1,VXE3,VXE4,VZA,VZA1,VZA4	
			4	-	-	1017229	QXE4	
			-	4	-	-		
13	95003-36016-20	TUBE, VINYL, 11X13X160 (95003-36001-10M)	1	-	-	-	PZE,QAC6,QAF,QDA1,QDE,QDE1,QDE6,QDF,QDF2,QDF6,QDW,QXF6,QYF,QZA QZA1,QZA6,QZB,QZD,QZE,QZE4,QZE6,QZF,QZF1,QZF6,QZX4,TFX2,VD VXA3,VXD,VXE,VXE1,VXE3,VXE4,VZA,VZA1,VZA4	
			1	-	-	1017229	QXE4	
			-	1	-	-		
14	95701-06008-00	BOLT, FLANGE, 6X8 .....	2	-	-	-	PZE,QAC6,QAF,QDA1,QDE,QDE1,QDE6,QDF,QDF2,QDF6,QDW,QXF6,QYF,QZA QZA1,QZA6,QZB,QZD,QZE,QZE4,QZE6,QZF,QZF1,QZF6,QZX4,TFX2,VD VXA3,VXD,VXE,VXE1,VXE3,VXE4,VZA,VZA1,VZA4	
			2	-	-	1017229	QXE4	
			-	(2)	-	-		
15	95701-06014-00	BOLT, FLANGE, 6X14 .....	2	-	-	-	PZE,QAC6,QAF,QDA1,QDE,QDE1,QDE6,QDF,QDF2,QDF6,QDW,QXF6,QYF,QZA QZA1,QZA6,QZB,QZD,QZE,QZE4,QZE6,QZF,QZF1,QZF6,QZX4,TFX2,VD VXA3,VXD,VXE,VXE1,VXE3,VXE4,VZA,VZA1,VZA4	
			2	-	-	1017229	QXE4	
			-	(2)	-	-		



Ref. No.	L.O.N.	(Relative ref. Number) Description	F.R.T.
1	3101H9	PUMP, FUEL .....	0.3
2	3101J7	STAY, FUEL PUMP .....	0.3
3	3101F6	TUBE, FUEL .....	0.3
4		(15)	
	3101F7	TUBE B, FUEL .....	0.2
5	3101E5	TUBE, DIAPHRAGM .....	0.5
6		(16)	
	3101H8	STRAINER, FUEL .....	0.2

2

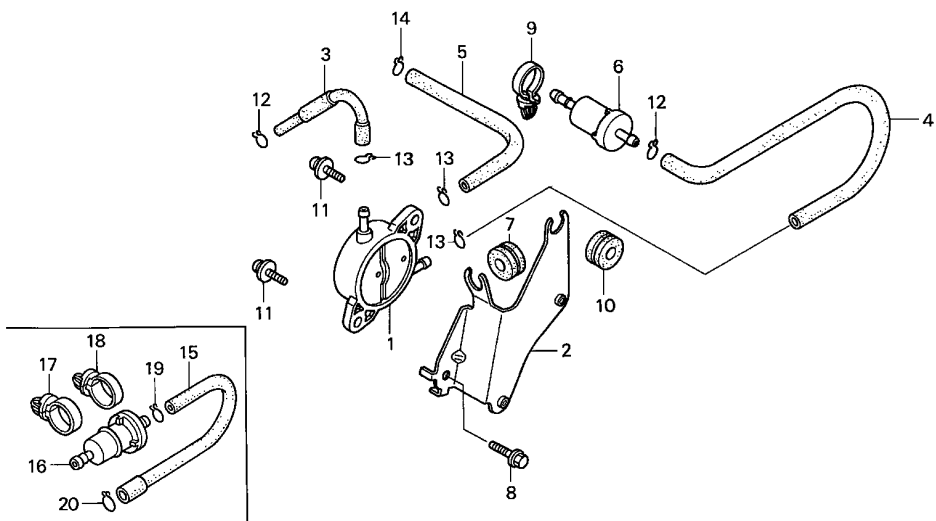
ZJ00-E1801



Ref. No.	Part No.	Description	Reqd. QTY				Serial No.	Parts catalogue code
			GX 610 (1)	GX 610 (2)	GX 610 K1 (3)	GX 610 (3)		
1	16700-ZL8-003	PUMP ASSY., FUEL .....	-	-	1	-	2022976	PZE,QAF,QAF2,QDE,QDF,QDF2,QDF6,QDW,QWF,QYF,QZA,QZA6,QZB,QZB2,QZE,QZE3,QZE4,QZE6,QZF,QZF1,QZX5,TXF2,VD,VXD,VXE,VXE1,VXE3,VXE4,VZA,VZA1,VZA2,VZE1
	16700-ZL8-013	.....	-	-	1	-	-	PZE/A,QAD2,QAD2/A,QAF,QAF/A,QAF2,QAF2/A,QDE,QDE/A,QDF,QDF/A,QDF2,QDF2/A,QDF6,QDF6/A,QDW,QDW/A,QWF,QWF/A,QYF,QYF/A,QZA,QZA/A,QZA6,QZA6/A,QZB,QZB/A,QZB2,QZB2/A,QZE,QZE/A,QZE3,QZE3/A,QZE4,QZE4/A,QZE6,QZE6/A,QZF,QZF/A,QZF1,QZF1/A,QZF8,QZF8/A,QZX5,QZX5/A,TXF2,TXF2/A,VD,VD/A,VDF2,VDF2/A,VEP4,VEP4/A,VXD,VXD/A,VXE,VXE/A,VXE1,VXE1/A,VXE3,VXE3/A,VXE4,VXE4/A,VZA,VZA/A,VZA1,VZA1/A,VZA2,VZA2/A,VZE1,VZE1/A
			-	-	1	-	2022977	PZE,QAF,QAF2,QDE,QDF,QDF2,QDF6,QDW,QWF,QYF,QZA,QZA6,QZB,QZB2,QZE,QZE3,QZE4,QZE6,QZF,QZF1,QZX5,TXF2,VD,VXD,VXE,VXE1,VXE3,VXE4,VZA,VZA1,VZA2,VZE1
2	16711-ZJ1-840	STAY, FUEL PUMP .....	-	-	1	-	-	PZE,PZE/A,QAD2,QAD2/A,QAF,QAF/A,QAF2,QAF2/A,QDE,QDE/A,QDF,QDF/A,QDF2,QDF2/A,QDF6,QDF6/A,QDW,QDW/A,QWF,QWF/A,QYF,QYF/A,QZA,QZA/A,QZA6,QZA6/A,QZB,QZB/A,QZB2,QZB2/A,QZE,QZE/A,QZE3,QZE3/A,QZE4,QZE4/A,QZE6,QZE6/A,QZF,QZF/A,QZF1,QZF1/A,QZF8,QZF8/A,QZX5,QZX5/A,TXF2,TXF2/A,VD,VD/A,VDF2,VDF2/A,VEP4,VEP4/A,VXD,VXD/A,VXE,VXE/A,VXE1,VXE1/A,VXE3,VXE3/A,VXE4,VXE4/A,VZA,VZA/A,VZA1,VZA1/A,VZA2,VZA2/A,VZE1,VZE1/A
3	16850-ZJ1-840	TUBE COMP., FUEL (A) .....	-	-	1	-	-	PZE,PZE/A,QAD2,QAD2/A,QAF,QAF/A,QAF2,QAF2/A,QDE,QDE/A,QDF,QDF/A,QDF2,QDF2/A,QDF6,QDF6/A,QDW,QDW/A,QWF,QWF/A,QYF,QYF/A,QZA,QZA/A,QZA6,QZA6/A,QZB,QZB/A,QZB2,QZB2/A,QZE,QZE/A,QZE3,QZE3/A,QZE4,QZE4/A,QZE6,QZE6/A,QZF,QZF/A,QZF1,QZF1/A,QZF8,QZF8/A,QZX5,QZX5/A,TXF2,TXF2/A,VD,VD/A,VDF2,VDF2/A,VEP4,VEP4/A,VXD,VXD/A,VXE,VXE/A,VXE1,VXE1/A,VXE3,VXE3/A,VXE4,VXE4/A,VZA,VZA/A,VZA1,VZA1/A,VZA2,VZA2/A,VZE1,VZE1/A

Ref. No.	Part No.	Description	Reqd. QTY				Serial No.	Parts catalogue code
			GX 610	GX 610	GX 610 K1	GX 610		
			(1)	(2)	(3)			
4	16852-ZJ1-840	TUBE B, FUEL .....	-	-	1	-	PZE,PZE/A,QAD2,QAD2/A,QAF,QAF/A,QDE,QDE/A,QDF,QDF/A,QDF2,QDF2/A,QDF6,QDF6/A,QDW,QDW/A,QWF,QWF/A,QYF,QYF/A,QZA,QZA/A,QZA6,QZA6/A,QZB,QZB/A,QZB2,QZB2/A,QZE,QZE/A,QZE3,QZE3/A,QZE4,QZE4/A,QZE6,QZE6/A,QZF,QZF/A,QZF1,QZF1/A,QZF8,QZF8/A,QZX5,QZX5/A,VD,VD/A,VDF2,VDF2/A,VEP4,VEP4/A,VXD,VXD/A,VXE,VXE/A,VXE1,VXE1/A,VXE3,VXE3/A,VXE4,VXE4/A,VZA,VZA/A,VZA1,VZA1/A,VZA2,VZA2/A,VZE1,VZE1/A	
5	16882-ZJ1-840	TUBE, DIAPHRAGM .....	-	-	1	-	PZE,PZE/A,QAD2,QAD2/A,QAF,QAF/A,QAF2,QAF2/A,QDE,QDE/A,QDF,QDF/A,QDF2,QDF2/A,QDF6,QDF6/A,QDW,QDW/A,QWF,QWF/A,QYF,QYF/A,QZA,QZA/A,QZA6,QZA6/A,QZB,QZB/A,QZB2,QZB2/A,QZE,QZE/A,QZE3,QZE3/A,QZE4,QZE4/A,QZE6,QZE6/A,QZF,QZF/A,QZF1,QZF1/A,QZF8,QZF8/A,QZX5,QZX5/A,TFX2,TFX2/A,VD,VD/A,VDF2,VDF2/A,VEP4,VEP4/A,VXD,VXD/A,VXE,VXE/A,VXE1,VXE1/A,VXE3,VXE3/A,VXE4,VXE4/A,VZA,VZA/A,VZA1,VZA1/A,VZA2,VZA2/A,VZE1,VZE1/A	
6	16910-ZE8-015	STRAINER COMP., FUEL .....	-	-	1	-	PZE,PZE/A,QAD2,QAD2/A,QAF,QAF/A,QAF2,QAF2/A,QDE,QDE/A,QDF,QDF/A,QDF2,QDF2/A,QDF6,QDF6/A,QDW,QDW/A,QDX2/A,QWF,QWF/A,QYF,QYF/A,QZA,QZA/A,QZA6,QZA6/A,QZB,QZB/A,QZB2,QZB2/A,QZE,QZE/A,QZE3,QZE3/A,QZE4,QZE4/A,QZE6,QZE6/A,QZF,QZF/A,QZF1,QZF1/A,QZF8,QZF8/A,QZX5,QZX5/A,SWD/A,TFX2/A,VD,VD/A,VDF2,VDF2/A,VEP4,VEP4/A,VXD,VXD/A,VXE,VXE/A,VXE1,VXE1/A,VXE3,VXE3/A,VXE4,VXE4/A,VZA,VZA/A,VZA1,VZA1/A,VZA2,VZA2/A,VZE1,VZE1/A	
7	19111-MF5-000	GROMMET, RESERVE TANK .....	-	-	1	-	PZE,PZE/A,QAD2,QAD2/A,QAF,QAF/A,QAF2,QAF2/A,QDE,QDE/A,QDF,QDF/A,QDF2,QDF2/A,QDF6,QDF6/A,QDW,QDW/A,QWF,QWF/A,QYF,QYF/A,QZA,QZA/A,QZA6,QZA6/A,QZB,QZB/A,QZB2,QZB2/A,QZE,QZE/A,QZE3,QZE3/A,QZE4,QZE4/A,QZE6,QZE6/A,QZF,QZF/A,QZF1,QZF1/A,QZF8,QZF8/A,QZX5,QZX5/A,TFX2,TFX2/A,VD,VD/A,VDF2,VDF2/A,VEP4,VEP4/A,VXD,VXD/A,VXE,VXE/A,VXE1,VXE1/A,VXE3,VXE3/A,VXE4,VXE4/A,VZA,VZA/A,VZA1,VZA1/A,VZA2,VZA2/A,VZE1,VZE1/A	
8	90014-952-000	BOLT, FLANGE, 6X14(CT200) ...	-	-	1	-	PZE,PZE/A,QAD2,QAD2/A,QAF,QAF/A,QAF2,QAF2/A,QDE,QDE/A,QDF,QDF/A,QDF2,QDF2/A,QDF6,QDF6/A,QDW,QDW/A,QWF,QWF/A,QYF,QYF/A,QZA,QZA/A,QZA6,QZA6/A,QZB,QZB/A,QZB2,QZB2/A,QZE,QZE/A,QZE3,QZE3/A,QZE4,QZE4/A,QZE6,QZE6/A,QZF,QZF/A,QZF1,QZF1/A,QZF8,QZF8/A,QZX5,QZX5/A,TFX2,TFX2/A,VD,VD/A,VDF2,VDF2/A,VEP4,VEP4/A,VXD,VXD/A,VXE,VXE/A,VXE1,VXE1/A,VXE3,VXE3/A,VXE4,VXE4/A,VZA,VZA/A,VZA1,VZA1/A,VZA2,VZA2/A,VZE1,VZE1/A	
9	90617-SAO-003	CLIP, WIRE HARNESS .....	-	-	1	-	PZE,PZE/A,QAD2,QAD2/A,QAF,QAF/A,QDE,QDE/A,QDF,QDF/A,QDF2,QDF2/A,QDF6,QDF6/A,QDW,QDW/A,QDX2/A,QWF,QWF/A,QYF,QYF/A,QZA,QZA/A,QZA6,QZA6/A,QZB,QZB/A,QZB2,QZB2/A,QZE,QZE/A,QZE3,QZE3/A,QZE4,QZE4/A,QZE6,QZE6/A,QZF,QZF/A,QZF1,QZF1/A,QZF8,QZF8/A,QZX5,QZX5/A,SWD/A,VD,VD/A,VDF2,VDF2/A,VEP4,VEP4/A,VXD,VXD/A,VXE,VXE/A,VXE1,VXE1/A,VXE3,VXE3/A,VXE4,VXE4/A,VZA,VZA/A,VZA1,VZA1/A,VZA2,VZA2/A,VZE1,VZE1/A	
10	91601-ZJ1-840	GROMMET, PUMP STAY .....	-	-	2	-	QAF2/A,TFX2/A	
			-	-	1	-	PZE,PZE/A,QAD2,QAD2/A,QAF,QAF/A,QAF2,QAF2/A,QDE,QDE/A,QDF,QDF/A,QDF2,QDF2/A,QDF6,QDF6/A,QDW,QDW/A,QWF,QWF/A,QYF,QYF/A,QZA,QZA/A,QZA6,QZA6/A,QZB,QZB/A,QZB2,QZB2/A,QZE,QZE/A,QZE3,QZE3/A,QZE4,QZE4/A,QZE6,QZE6/A,QZF,QZF/A,QZF1,QZF1/A,QZF8,QZF8/A,QZX5,QZX5/A,TFX2,TFX2/A,VD,VD/A,VDF2,VDF2/A,VEP4,VEP4/A,VXD,VXD/A,VXE,VXE/A,VXE1,VXE1/A,VXE3,VXE3/A,VXE4,VXE4/A,VZA,VZA/A,VZA1,VZA1/A,VZA2,VZA2/A,VZE1,VZE1/A	

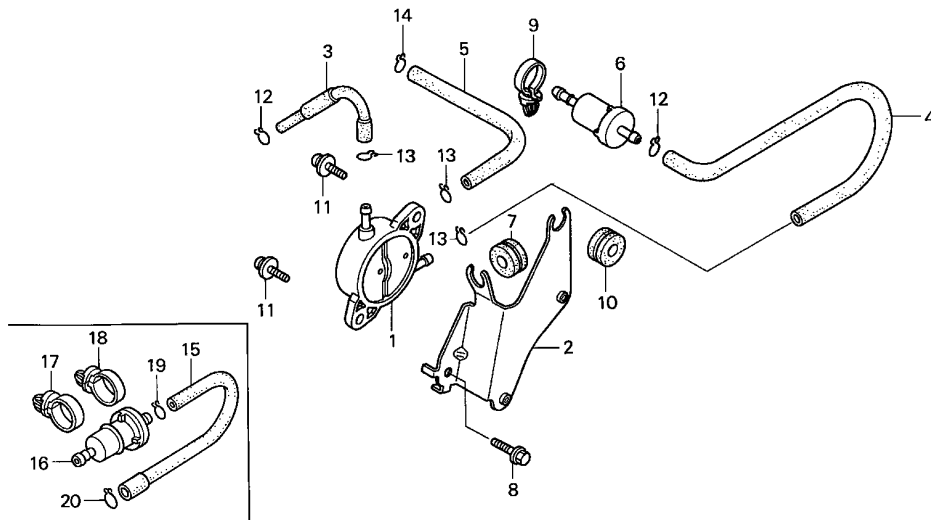




2

ZJ00-E1801

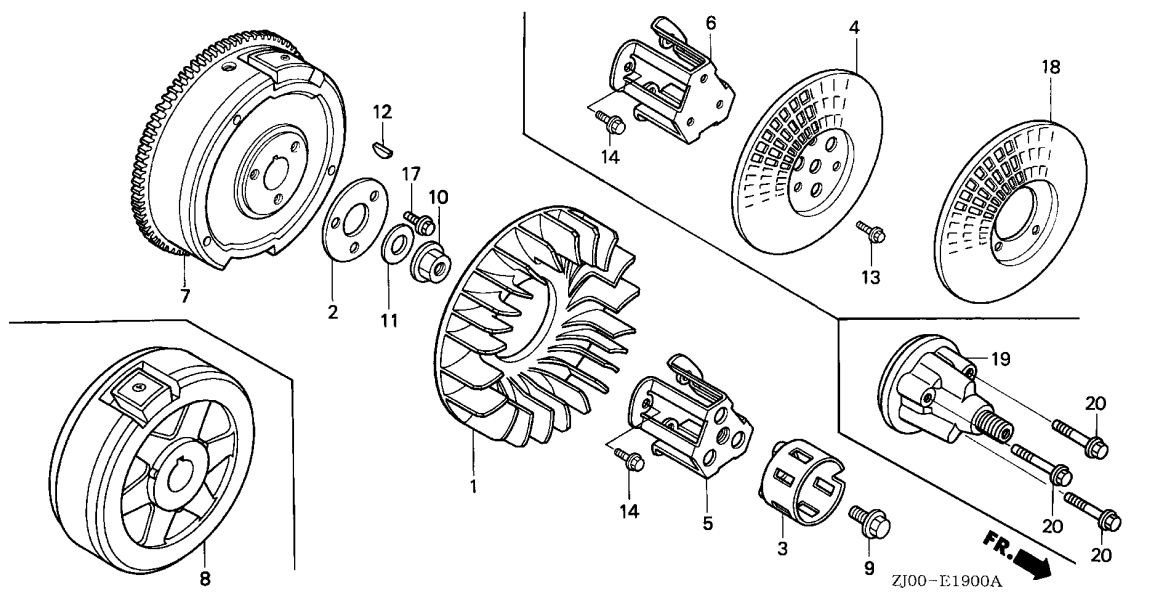
Ref. No.	Part No.	Description	Reqd. QTY				Serial No.	Parts catalogue code
			GX 610	GX 610	GX 610 K1	GX 610 (3)		
11	93894-06016-00	SCREW-WASHER, 6X16	-	-	2	-	PZE,PZE/A,QAD2,QAD2/A,QAF,QAF/A,QAF2,QAF2/A,QDE,QDE/A,QDF,QDF/A,QDF2,QDF2/A,QDF6,QDF6/A,QDW,QDW/A,QWF,QWF/A,QYF,QYF/A,QZA,QZA/A,QZA6,QZA6/A,QZB,QZB/A,QZB2,QZB2/A,QZE,QZE/A,QZE3,QZE3/A,QZE4,QZE4/A,QZE6,QZE6/A,QZF,QZF/A,QZF1,QZF1/A,QZF8,QZF8/A,QZX5,QZX5/A,TFX2,TFX2/A,VD,VD/A,VDF2,VDF2/A,VEP4,VEP4/A,VXD,VXD/A,VXE,VXE/A,VXE1,VXE1/A,VXE3,VXE3/A,VXE4,VXE4/A,VZA,VZA/A,VZA1,VZA1/A,VZA2,VZA2/A,VZE1,VZE1/A	
12	95002-02080	CLIP, TUBE (B8)	-	-	2	-	PZE,PZE/A,QAD2,QAD2/A,QAF,QAF/A,QAF2/A,QDE,QDE/A,QDF,QDF/A,QDF2,QDF2/A,QDF6,QDF6/A,QDW,QDW/A,QDX2/A,QWF,QWF/A,QYF,QYF/A,QZA,QZA/A,QZA6,QZA6/A,QZB,QZB/A,QZB2,QZB2/A,QZE,QZE/A,QZE3,QZE3/A,QZE4,QZE4/A,QZE6,QZE6/A,QZF,QZF/A,QZF1,QZF1/A,QZF8,QZF8/A,QZX5,QZX5/A,SWD/A,TFX2/A,VD,VD/A,VDF2,VDF2/A,VEP4,VEP4/A,VXD,VXD/A,VXE,VXE/A,VXE1,VXE1/A,VXE3,VXE3/A,VXE4,VXE4/A,VZA,VZA/A,VZA1,VZA1/A,VZA2,VZA2/A,VZE1,VZE1/A	
13	95002-02100	CLIP, TUBE (B10)	-	-	3	-	PZE,PZE/A,QAD2,QAD2/A,QAF,QAF/A,QAF2/A,QDE,QDE/A,QDF,QDF/A,QDF2,QDF2/A,QDF6,QDF6/A,QDW,QDW/A,QWF,QWF/A,QYF,QYF/A,QZA,QZA/A,QZA6,QZA6/A,QZB,QZB/A,QZB2,QZB2/A,QZE,QZE/A,QZE3,QZE3/A,QZE4,QZE4/A,QZE6,QZE6/A,QZF,QZF/A,QZF1,QZF1/A,QZF8,QZF8/A,QZX5/A,TFX2/A,VD,VD/A,VDF2,VDF2/A,VEP4,VEP4/A,VXD,VXD/A,VXE,VXE/A,VXE1,VXE1/A,VXE3,VXE3/A,VXE4,VXE4/A,VZA,VZA/A,VZA1,VZA1/A,VZA2,VZA2/A,VZE1,VZE1/A	
14	95002-50000	CLIP, TUBE (C9)	-	-	1	-	PZE,QAD2,QAF,QAF2,QDE,QDF,QDF2,QDF6,QDW,QWF,QYF,QZA,QZA6,QZB,QZB2,QZE,QZE3,QZE4,QZE6,QZF,QZF1,QZF8,QZX5,TFX2,VD,VDF2,VEP4,VXD,VXE,VXE1,VXE3,VXE4,VZA,VZA1,VZA2,VZE1	
			-	-	1	2063151	PZE/A,QAD2/A,QAF/A,QAF2/A,QDE/A,QDF/A,QDF2/A,QDF6/A,QDW/A,QWF/A,QYF/A,QZA/A,QZA6/A,QZB/A,QZB2/A,QZE/A,QZE3/A,QZE4/A,QZE6/A,QZF/A,QZF1/A,QZF8/A,QZX5/A,TFX2/A,VD/A,VDF2/A,VEP4/A,VXD/A,VXE/A,VXE1/A,VXE3/A,VXE4/A,VZA/A,VZA1/A,VZA2/A,VZE1/A	



ZJ00-E1801



Ref. No.	Part No.	Description	Reqd. QTY				Serial No.	Parts catalogue code
			GX 610 (1)	GX 610 (2)	GX 610 K1 (3)	GX 610 (3)		
14)	95002-02080	CLIP, TUBE (B8) .....	-	-	1	-	2063152 -----	PZE/A,QAD2/A,QAF/A,QAF2/A,QDE/A,QDF/A,QDF2/A,QDF6/A,QDW/A QWF/A,QYF/A,QZA/A,QZA6/A,QZB/A,QZB2/A,QZE/A,QZE3/A,QZE4/A QZE6/A,QZF/A,QZF1/A,QZF8/A,QZX5/A,TFX2/A,VD/A,VDF2/A,VEP4/A VXD/A,VXE/A,VXE1/A,VXE3/A,VXE4/A,VZA/A,VZA1/A,VZA2/A,VZE1/A
15	16852-ZJ1-850	TUBE B, FUEL .....	-	-	1	-	-----	QAF2,QAF2/A,TFX2,TFX2/A
	95001-45140-40	TUBE, FUEL, 4.5X140 (95001-45001-60M)	-	-	1	-	-----	QDX2,QDX2/A,SWD,SWD/A
16	16910-ZE8-015	STRAINER COMP., FUEL .....	-	-	1	-	-----	QAF2,QAF2/A,QDX2,QDX2/A,SWD,SWD/A,TFX2,TFX2/A
17	90617-SA0-003	CLIP, WIRE HARNESS .....	-	-	1	-	-----	QAF2,QAF2/A,QDX2,QDX2/A,SWD,SWD/A,TFX2,TFX2/A
18	90617-SA0-003	CLIP, WIRE HARNESS .....	-	-	1	-	-----	QAF2,QAF2/A,QDX2/A,TFX2,TFX2/A
19	95002-02080	CLIP, TUBE (B8) .....	-	-	1	-	-----	QAF2,QAF2/A,QDX2,QDX2/A,SWD,SWD/A,TFX2,TFX2/A,VD/A,VXD/A
20	95002-02100	CLIP, TUBE (B10) .....	-	-	1	-	-----	QAF2,QAF2/A,TFX2,TFX2/A
	95002-02080	CLIP, TUBE (B8) .....	-	-	1	-	-----	QDX2,QDX2/A



Ref. No.	L.O.N.	(Relative ref. Number) Description	F.R.T.
1	1141G7	FAN, ENGINE COOLING .....	0.5
3	1121A9	PULLEY, RECOIL STARTER .....	0.4
4	6201A5	GRID, SCREEN .....	0.4
5	1121B6	SPACER, STARTER PULLEY MOUNTING .....	0.5
6	6201A6	HOLDER, SCREEN GRID .....	0.5
7	2161B5	FLYWHEEL .....	0.7
19	2141H3	SHAFT, POWER TAKE OFF :FRONT .....	0.4

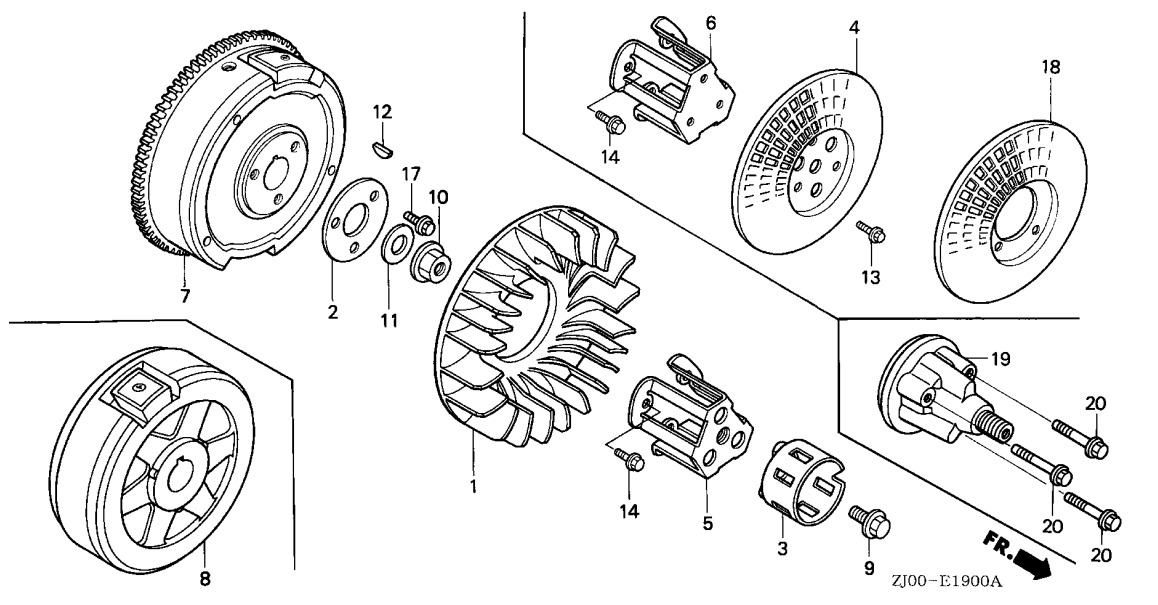
2

Ref. No.	Part No.	Description	Reqd. QTY				Serial No.	Parts catalogue code
			GX 610	GX 610	GX 610	GX 610		
1	19511-ZJ1-000	FAN, COOLING .....	1	1	1	1		
2	19513-ZJ1-000	PLATE, COOLING FAN SETTING ..	1	-	1	-	----- QAC6,QAF,QAF/A,QAF2,QAF2/A,QDA1,QDE,QDE/A,QDE1,QDE6,QDF,QDF/A,QDF2,QDF2/A,QDF6,QDF6/A,QDW,QDW/A,QDX2,QDX2/A,QWF,QWF/A,QXE4,QYF,QYF/A,TFX2,TFX2/A,VEP4,VEP4/A,VXD,VXD/A,VXE,VXE/A,VXE1,VXE1/A,VXE3,VXE3/A,VXE4,VXE4/A,VZA2,VZA2/A,QZF1	
3	28451-ZJ1-801	PULLEY, STARTER .....	1	-	1	-	----- PZE,PZE/A,QXF6,QZA,QZA/A,QZA1,QZA6,QZA6/A,QZB,QZB/A,QZB2,QZB2/A,QZD,QZD1,QZE,QZE/A,QZE3,QZE3/A,QZE4,QZE4/A,QZE6,QZE6/A,QZF,QZF/A,QZF1/A,QZF6,QZF8,QZF8/A,QZX4,QZX5,QZX5/A,VD,VD/A,VXA3,VZA,VZA/A,VZA1,VZA1/A,VZA4,VZE1,VZE1/A	
4	28452-ZJ1-811	GRID, SCREEN (P.T.O.) .....	1	-	1	-	----- QZF1	
			1	(1)	-	-	----- QAD2,QAD2/A,QDA1,QDE1,QYF,QYF/A,VDF2,VDF2/A	
			1	-	(1)	-	----- QAF,QDE,QDF,VXE	
			(1)	-	(1)	-	----- PZE,PZE/A,QAC6,QAF/A,QAF2,QAF2/A,QDE/A,QDE6,QDF/A,QDF2,QDF2/A,QDF6,QDF6/A,QDW,QDW/A,QWF,QWF/A,QXE4,QXF6,QZA/A,QZA1,QZA6,QZA6/A,QZB/A,QZB2,QZB2/A,QZD,QZD1,QZE/A,QZE3,QZE3/A,QZE4,QZE4/A,QZE6,QZE6/A,QZF,QZF/A,QZF1,QZF1/A,QZF6,QZF8,QZF8/A,QZX4,QZX5,QZX5/A,TFX2,TFX2/A,VD,VD/A,VEP4,VEP4/A,VXA3,VXD,VXD/A,VXE/A,VXE1,VXE1/A,VXE3,VXE3/A,VXE4,VXE4/A,VZA/A,VZA1,VZA1/A,VZA2,VZA2/A,VZA4,VZE1,VZE1/A	
			-	(1)	-	(1)	----- QZA,QZB,QZE,VZA	
			-	-	(1)	-	-----	

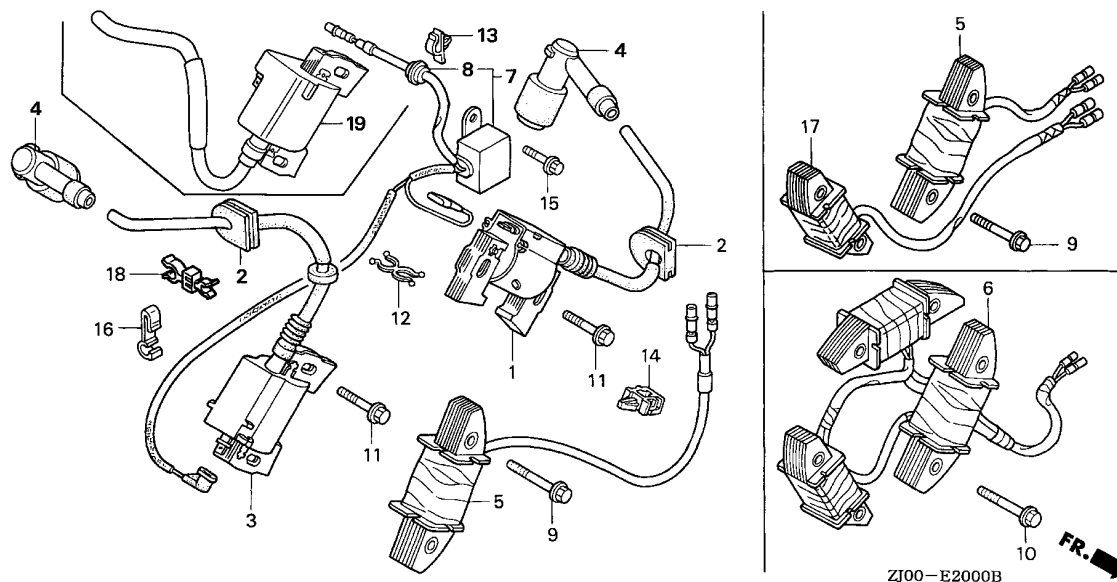
Ref. No.	Part No.	Description	Reqd. QTY				Serial No.	Parts catalogue code
			GX 610	GX 610	GX 610 K1	GX 610		
			(1)	(2)	(3)			
5	28453-ZJ1-801	SPACER, STARTER PULLEY MOUNTING	1	-	1	-	PZE,PZE/A,QXF6,QZA,QZA/A,QZA1,QZA6,QZA6/A,QZB,QZB/A,QZB2,QZB2/A,QZD,QZD1,QZE,QZE/A,QZE3,QZE3/A,QZE4,QZE4/A,QZE6,QZE6/A,QZF,QZF/A,QZF1/A,QZF6,QZF8,QZF8/A,QZX4,QZX5,QZX5/A,VD,VD/A,VXA3,VZA,VZA/A,VZA1,VZA1/A,VZA4,VZE1,VZE1/A	
			1	-	-	-	1032299 QZF1	
			-	(1)	-	-		
			-	-	1	-	QZF1	
6	28454-ZJ1-801	HOLDER, SCREEN GRID	1	-	1	-	QAD2,QAD2/A,QDA1,QDE1,VDF2,VDF2/A	
			1	-	(1)	-	QAF,QDE,QDF,QYF,VXE	
			(1)	-	(1)	-	PZE,PZE/A,QAC6,QAF/A,QAF2,QAF2/A,QDE/A,QDE6,QDF/A,QDF2,QDF2/A,QDF6,QDF6/A,QDW,QDW/A,QWF,QWF/A,QXE4,QXF6,QYF/A,QZA/A,QZA1,QZA6,QZA6/A,QZB/A,QZB2,QZB2/A,QZD,QZD1,QZE/A,QZE3,QZE3/A,QZE4,QZE4/A,QZE6,QZE6/A,QZF,QZF/A,QZF1,QZF1/A,QZF6,QZF8,QZF8/A,QZX4,QZX5,QZX5/A,TXF2,TXF2/A,VD,VD/A,VEP4,VEP4/A,VXA3,VXD,VXD/A,VXE/A,VXE1,VXE1/A,VXE3,VXE3/A,VXE4,VXE4/A,VZA/A,VZA1,VZA1/A,VZA2,VZA2/A,VZA4,VZE1,VZE1/A	
			-	(1)	-	(1)		
			-	-	(1)	-	QZA,QZB,QZE,VZA	
7	31110-ZJ1-800	FLYWHEEL COMP.	1	-	-	-	1014462 QAC6,QAF,QAF2,QDF,QDF6,QDW,QXF6,QYF,QZB,QZF,QZF6,TXF2	
			-	(1)	-	-		
			-	-	1	-	1000003 QAFP,QAFU	
	31110-ZJ1-810		1	-	-	-	1014346 PZE,QDA1,QDE,QDE1,QDE6,QXE4,QZA,QZA1,QZE,QZE4,QZE6,VXA3,VXE1,VXE4,VZA,VZA4	
			-	(1)	-	-		
			-	-	1	-	1000003 VXEP	
	31110-ZJ1-801		1	-	-	-	QDF2,QZF1	
			1	-	-	-	1014463 QAC6,QAF,QAF2,QDF,QDF6,QDW,QXF6,QYF,QZB,QZF,QZF6,TXF2	
			-	-	1	-	1000004 QAFP,QAFU	
	31110-ZJ1-811		1	-	-	-	QZA6,VD,VXD,VXE3,VZA1	
			1	-	-	-	1014347 PZE,QDA1,QDE,QDE1,QDE6,QXE4,QZA,QZA1,QZE,QZE4,QZE6,VXA3,VXE1,VXE4,VZA,VZA4	
			-	-	-	1	1000004 VXEP	
	31110-ZJ1-840		-	-	1	-	QAD2,QAD2/A,QAF,QAF/A,QAF2,QAF2/A,QDF,QDF/A,QDF2,QDF2/A,QDF6,QDF6/A,QDW,QDW/A,QDX2,QDX2/A,QWF,QWF/A,QYF,QYF/A,QZB,QZB/A,QZB2,QZB2/A,QZF,QZF/A,QZF1,QZF1/A,QZF8,QZF8/A,SWD,SWD/A,TXF2,TXF2/A,VDF2,VDF2/A	
8	31110-ZJ4-000	FLYWHEEL COMP.	1	-	-	-	1015832 QZD,QZD1,QZX4	
	31110-ZJ4-010		1	-	-	-	1015833 QZD,QZD1,QZX4	
	31110-ZJ1-850		-	-	1	-	PZE,PZE/A,QDE,QDE/A,QZA,QZA/A,QZA6,QZA6/A,QZE,QZE/A,QZE3,QZE3/A,QZE4,QZE4/A,QZE6,QZE6/A,VD,VD/A,VEP4,VEP4/A,VXD,VXD/A,VXE,VXE/A,VXE1,VXE1/A,VXE3,VXE3/A,VXE4,VXE4/A,VZA,VZA/A,VZA1,VZA1/A,VZA2,VZA2/A,VZE1,VZE1/A	
			-	-	1	-	QZX5,QZX5/A	
9	90013-ZJ1-800	BOLT, UBS, 12X28	1	-	1	-	PZE,PZE/A,QXF6,QZA,QZA/A,QZA1,QZA6,QZA6/A,QZB,QZB/A,QZB2,QZB2/A,QZD,QZD1,QZE,QZE/A,QZE3,QZE3/A,QZE4,QZE4/A,QZE6,QZE6/A,QZF,QZF/A,QZF1/A,QZF6,QZF8,QZF8/A,QZX4,QZX5,QZX5/A,VD,VD/A,VXA3,VZA,VZA/A,VZA1,VZA1/A,VZA4,VZE1,VZE1/A	
			1	-	-	-	1032299 QZF1	
			-	(1)	-	-		
			-	-	1	-	QZF1	
10	90201-ZG3-000	NUT, FLANGE, 20MM	1	1	1	1		
11	90401-ZG3-000	WASHER, 20MM	1	1	1	1		
12	90741-ZE2-000	KEY, SPECIAL WOODRUFF, 25X18	1	1	1	1		







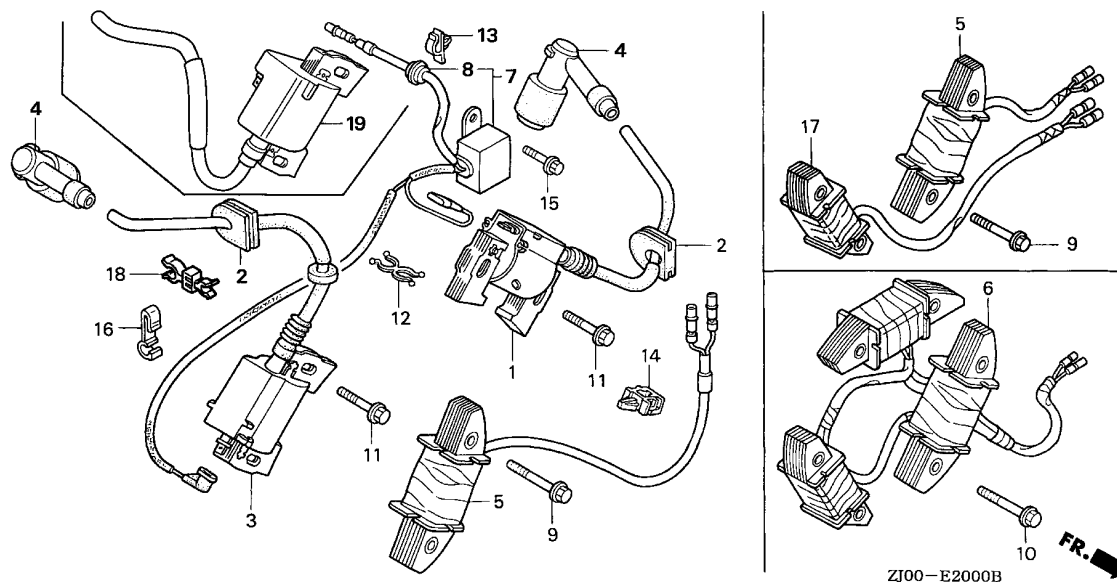
Ref. No.	Part No.	Description	Reqd. QTY				Serial No.	Parts catalogue code
			GX 610	GX 610	GX 610 K1	GX 610		
13	95701-06012-00	BOLT, FLANGE, 6X12	3	-	3	-	QAD2/A,QDA1,QDE1,QYF/A,VDF2,VDF2/A	
			3	-	(3)	-	QAF	
			3	-	-	-	QDE,QDF,QYF,VXE	
			(3)	-	(3)	(3)	QAC6,QAD2,QDE6,QXE4,QXF6,QZA1,QZF6,QZX4,VXEP,VZA4	
			(3)	-	-	-	QDF6,QZE4,QZE6,VXE1,VXE4	
			-	(3)	-	-		
			-	-	3	-	QAF2,TFX2	
			-	-	(3)	-	QDF2,QDW	
14	95701-08016-00	BOLT, FLANGE, 8X16	3	-	3	-	PZE,PZE/A,QAC6,QAD2/A,QAF/A,QAF2,QDA1,QDE,QDE1,QDE6,QDF,QDF2	
							QDF6,QDW,QWF,QXE4,QXF6,QYF,QZA,QZA/A,QZA1,QZA6,QZA6/A,QZB	
							QZB/A,QZB2,QZB2/A,QZD,QZD1,QZE,QZE/A,QZE3,QZE3/A,QZE4,QZE4/A	
							QZE6,QZE6/A,QZF,QZF1/A,QZF6,QZF8,QZF8/A,QZX4,QZX5,QZX5/A,TFX2	
							VD,VD/A,VDF2,VDF2/A,VXA3,VXD,VXE,VXE1,VXE3,VXE4,VZA,VZA/A,VZA1	
							VZA1/A,VZA2,VZA4,VZE1,VZE1/A	
			3	-	(3)	-	QAD2,QAF	
			3	-	-	-	1032299 QZF1	
			-	(3)	-	3	QZF1	
17	95701-08016-00	BOLT, FLANGE, 8X16	3	-	3	-	QAF/A,QAF2/A,QDE/A,QDF/A,QDF2/A,QDF6/A,QDW/A,QDX2,QDX2/A,QWF/A	
							QYF/A,QZE3,QZF1,QZX5,TFX2/A,VEP4,VEP4/A,VXD/A,VXE/A,VXE1/A	
							VXE3/A,VXE4/A,VZA2/A	
			-	-	3	-	PZE,QAF,QDE,QDF,QDF6,QYF,QZA,QZA6,QZB,QZE,QZE4,QZE6,QZF,VXE	
							VXE1,VXE3,VXE4,VZA1	
18	28452-ZJ1-801	GRID, SCREEN	1	-	-	-	QAF,QDA1,QDE,QDE1,QDF,QYF,VXE,VXE1	
			-	(1)	-	-		
19	23311-ZJ0-850	SHAFT, FR. P.T.O. (HS)	-	-	1	-	SWD,SWD/A	
20	90111-KT0-670	BOLT, FLANGE, 8X50	-	-	3	-	SWD,SWD/A	



Ref. No.	L.O.N.	(Relative ref. Number) Description	F.R.T.
1	6141A3	COIL, IGNITION :LEFT (19)	0.5
3	6141A4	COIL, IGNITION :RIGHT	0.5
4	6141C3	TERMINAL, HIGH TENSION :LEFT	0.1
	6141C4	TERMINAL, HIGH TENSION :RIGHT	0.1
5	6131C3	COIL, CHARGE (6)	0.8
7	614106	DIODE, ENGINE STOP	0.6

Ref. No.	Part No.	Description	Reqd. QTY				Serial No.	Parts catalogue code
			GX 610 (1)	GX 610 (2)	GX 610 K1 (3)	GX 610 (3)		
1	30500-ZJ1-003	COIL ASSY., IGNITION (L. SIDE)	1	-	-	-	1006903 QAF,QDA1,QDE,QDE1,QDF,QYF,QZA,QZB,QZE,QZF,VXE,VXE1,VZA	
	30500-ZJ1-013	/// (L. SIDE)	-	1	-	-	1006903 PZE,QAC6,QAF2,QDE6,QDF2,QDF6,QDW,QXE4,QXF6,QZA1,QZA6,QZD,QZD1	
		///	1	-	-	-	1006904 QZE4,QZE6,QZF1,QZF6,QZX4,TXF2,VD,VXA3,VXD,VXE3,VXE4,VZA1,VZA4	
		///	-	1	-	-	1006904 QAF,QDA1,QDE,QDE1,QDF,QYF,QZA,QZB,QZE,QZF,VXE,VXE1,VZA	
	30500-ZJ1-841	/// (L. SIDE)	-	-	1	-	2018397 PZE,QAF,QAF2,QDE,QDF,QDF2,QDF6,QDW,QWF,QYF,QZA,QZA6,QZB,QZB2	
		///	-	-	-	-	QZE,QZE3,QZE4,QZE6,QZF,QZF1,TXF2,VD,VXD,VXE,VXE1,VXE3,VXE4,VZA	
	30500-ZJ1-842	/// (L. SIDE)	-	-	1	-	2047154 QAD2,QDX2,QZF8,QZX5,SWD,VDF2,VEP4	
		///	-	-	1	-	2018398 2047154 PZE,QAF,QAF2,QDE,QDF,QDF2,QDF6,QDW,QWF,QYF,QZA,QZA6,QZB,QZB2	
		///	-	-	-	-	QZE,QZE3,QZE4,QZE6,QZF,QZF1,TXF2,VD,VXD,VXE,VXE1,VXE3,VXE4,VZA	
	30500-ZJ1-843	/// (L. SIDE)	-	-	1	-	2047155 2049300 PZE,QAD2,QAF,QAF2,QDE,QDF,QDF2,QDF6,QDW,QDX2,QWF,QYF,QZA,QZA6	
		///	-	-	-	-	QZB,QZB2,QZE,QZE3,QZE4,QZE6,QZF,QZF1,QZF8,QZX5,SWD,TXF2,VD	
		///	-	-	-	-	VDF2,VEP4,VXD,VXE,VXE1,VXE3,VXE4,VZA,VZA1,VZA2,VZE1	



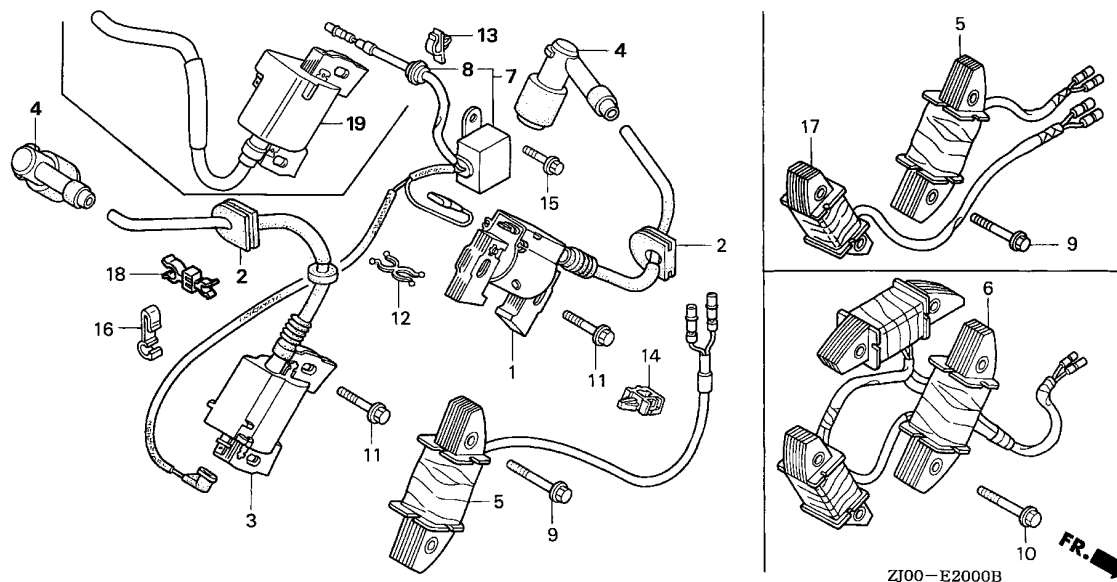


2

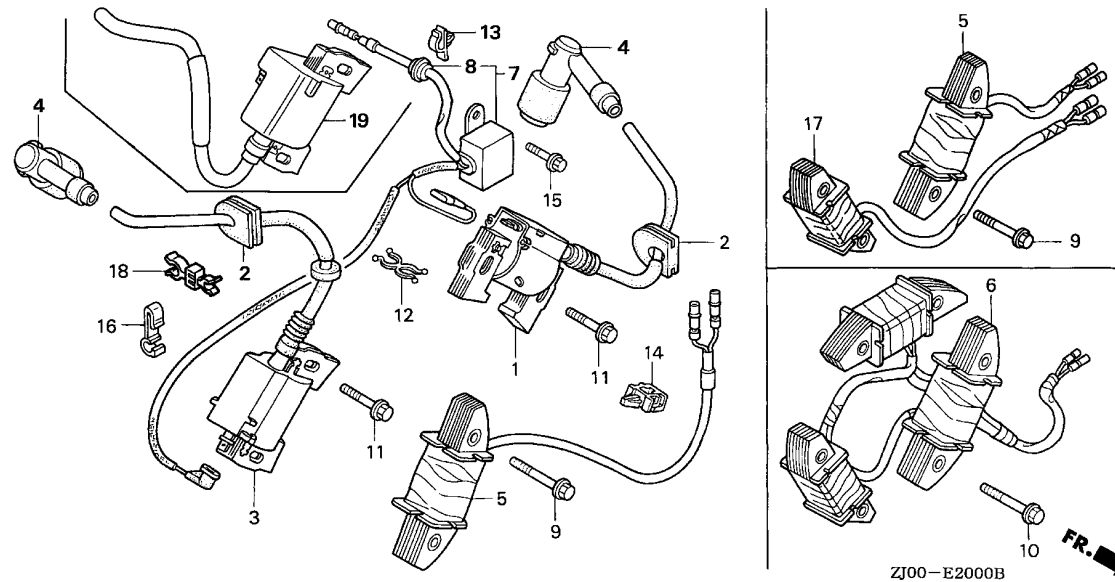
Ref. No.	Part No.	Description	Reqd. QTY				Serial No.	Parts catalogue code
			GX 610 (1)	GX 610 (2)	GX 610 K1 (3)	GX 610 (3)		
(1)	30500-ZJ1-844	COIL ASSY., IGNITION (L. SIDE)	-	-	1	-	PZE/A, QAD2/A, QAF/A, QAF2/A, QDE/A, QDF/A, QDF2/A, QDF6/A, QDW/A, QDX2/A, QWF/A, QYF/A, QZA/A, QZA6/A, QZB/A, QZB2/A, QZE/A, QZE3/A, QZE4/A, QZE6/A, QZF/A, QZF1/A, QZF8/A, QZX5/A, SWD/A, TXF2/A, VD/A, VDF2/A, VEP4/A, VXD/A, VXE/A, VXE1/A, VXE3/A, VXE4/A, VZA/A, VZA1/A, VZA2/A, VZE1/A	
	//	//	-	-	1	2049301	PZE, QAD2, QAF, QAF2, QDE, QDF, QDF2, QDF6, QDW, QDX2, QWF, QYF, QZA, QZA6, QZB, QZB2, QZE, QZE3, QZE4, QZE6, QZF, QZF1, QZF8, QZX5, SWD, TXF2, VD, VDF2, VEP4, VXD, VXE, VXE1, VXE3, VXE4, VZA, VZA1, VZA2, VZE1	
2	30518-ZJ1-000	GROMMET, HIGH TENSION CORD	2	2	2	2		
3	30550-ZJ1-003	COIL ASSY., IGNITION (R. SIDE)	1	-	-	-	1006973 QAF, QDA1, QDE, QDE1, QDF, QYF, QZA, QZB, QZE, QZF, VXE, VXE1, VZA	
	//	//	-	1	-	-	1006973	
	30550-ZJ1-013	COIL ASSY., IGNITION (R. SIDE)	1	-	-	-	PZE, QAC6, QAF2, QDE6, QDF2, QDF6, QDW, QXE4, QXF6, QZA1, QZA6, QZD, QZD1, QZE4, QZE6, QZF1, QZF6, QZX4, TXF2, VD, VXA3, VXD, VXE3, VXE4, VZA1, VZA4	
	//	//	1	-	-	-	1006974 QAF, QDA1, QDE, QDE1, QDF, QYF, QZA, QZB, QZE, QZF, VXE, VXE1, VZA	
	//	//	-	1	-	-	1006974	
4	30700-ZJ1-003	CAP ASSY., NOISE SUPPRESSOR	2	2	-	-		
	30700-ZJ1-841	.....	-	-	2	-		
5	31630-ZJ1-003	COIL ASSY., CHARGE (12V/3A)	1	-	1	1	PZE, PZE/A, QDA1, QDE, QDE/A, QDE1, QDE6, QXE4, QZA, QZA/A, QZA1, QZA6, QZA6/A, QZE, QZE/A, QZE3, QZE3/A, QZE4, QZE4/A, QZE6, QZE6/A, VD, VD/A, VEP4, VEP4/A, VXA3, VXD, VXD/A, VXE, VXE/A, VXEP, VXE1, VXE1/A, VXE3, VXE3/A, VXE4, VXE4/A, VZA, VZA/A, VZA1, VZA1/A, VZA4, VZE1, VZE1/A	
	30595-ZJ1-801	COIL ASSY., POWER	-	(1)	-	-	QZX5, QZX5/A	

Ref. No.	Part No.	Description	Reqd. QTY				Serial No.	Parts catalogue code	
			GX 610	GX 610	GX 610 K1	GX 610			
			(1)	(2)	(3)				
6	31630-ZJ1-801	COIL ASSY., CHARGE (12V/20A)	1	-	1	1	-----	QAC6,QAD2,QAD2/A,QAF,QAF/A,QAFP,QAFU,QAF2,QAF2/A,QDF,QDF/A,QDF2,QDF2/A,QDF6,QDF6/A,QDW,QDW/A,QDX2,QDX2/A,QWF,QWF/A,QXF6,QYF,QYF/A,QZB,QZB/A,QZB2,QZB2/A,QZF,QZF/A,QZF1,QZF1/A,QZF6,QZF8,QZF8/A,SWD,SWD/A,TFX2,TFX2/A,VDF2,VDF2/A	
7	31740-ZJ1-003 31740-ZJ1-841	DIODE ASSY., ENGINE STOP .....	-	(1)	-	-	-----	2015619 PZE,QAF,QAF2,QDE,QDF,QDF2,QDF6,QDW,QWF,QYF,QZA,QZA6,QZB,QZB2,QZE,QZE3,QZE4,QZE6,QZF,QZF1,TFX2,VXE,VXE1,VXE3,VXE4,VZA,VZA1,VZE1	
	31740-ZJ1-851 31740-ZJ1-861	.....	-	-	1	-	-----	QZX5,QZX5/A,VD,VD/A,VXD,VXD/A,VZA2,VZA2/A	
		.....	-	-	1	-	-----	PZE/A,QAD2,QAD2/A,QAF/A,QAF2/A,QDE/A,QDF/A,QDF2/A,QDF6/A,QDW/A,QDX2,QDX2/A,QWF/A,QYF/A,QZA/A,QZA6/A,QZB/A,QZB2/A,QZE/A,QZE3/A,QZE4/A,QZE6/A,QZF/A,QZF1/A,QZF8,QZF8/A,SWD,SWD/A,TFX2/A,VDF2,VDF2/A,VEP4,VEP4/A,VXE/A,VXE1/A,VXE3/A,VXE4/A,VZA/A,VZA1/A,VZE1/A	
		.....	-	-	1	-	2015620	-----	PZE,QAF,QAF2,QDE,QDF,QDF2,QDF6,QDW,QWF,QYF,QZA,QZA6,QZB,QZB2,QZE,QZE3,QZE4,QZE6,QZF,QZF1,TFX2,VXE,VXE1,VXE3,VXE4,VZA,VZA1,VZE1
8	63312-ZA7-000	GROMMET, TOOL .....	1	1	1	1			
9	90014-ZE6-000	BOLT, FLANGE, 6X35(CT200) ...	2	-	2	2	-----	PZE,PZE/A,QDA1,QDE,QDE/A,QDE1,QDE6,QXE4,QZA,QZA/A,QZA1,QZA6,QZA6/A,QZE,QZE/A,QZE3,QZE3/A,QZE4,QZE4/A,QZE6,QZE6/A,VEP4,VEP4/A,VXA3,VXE,VXE/A,VXEP,VXE1,VXE1/A,VXE3,VXE3/A,VXE4,VXE4/A,VZA,VZA/A,VZA1,VZA1/A,VZA4,VZE1,VZE1/A	
		.....	4	-	-	-	-----	VD,VXD	
		.....	-	(2)	-	-	-----	VD/A,VXD/A	
	90031-ZE1-000	BOLT, FLANGE, 6X32 .....	-	-	4	-	-----	QZX5	
		.....	-	-	2	-	-----	VD,VXD	
10	90031-ZE1-000	BOLT, FLANGE, 6X32 .....	6	-	6	6	-----	QAC6,QAD2,QAD2/A,QAF,QAF/A,QAFP,QAFU,QAF2,QAF2/A,QDF,QDF/A,QDF2,QDF2/A,QDF6,QDF6/A,QDW,QDW/A,QDX2,QDX2/A,QWF,QWF/A,QXF6,QYF,QYF/A,QZB,QZB/A,QZB2,QZB2/A,QZF,QZF/A,QZF1,QZF1/A,QZF6,QZF8,QZF8/A,QZX5,QZX5/A,SWD,SWD/A,TFX2,TFX2/A,VDF2,VDF2/A	
		.....	-	(6)	-	-			
11	90121-952-000	BOLT, FLANGE, 6X25(CT200) ...	2	2	-	2			
	90031-ZE1-000	BOLT, FLANGE, 6X32 .....	-	-	2	-			
12	90658-SAO-003	CLIP, WIRE HARNESS .....	1	1	-	-			
13	90673-GJ5-003	CLIP, CORD .....	1	-	1	1	-----	PZE,QDA1,QDE1,QXF6,QZA,QZA1,QZA6,QZE,QZE3,QZE4,QZE6,VXA3,VXE,VXEP,VXE1,VXE4,VZA1,VZA4	
		.....	1	-	-	-	-----	TFX2,VZA	
		.....	-	(1)	-	-			
		.....	-	-	1	-	-----	QZB,QZF1	
	32171-GJ1-003	CLIP, WIRE HARNESS .....	-	-	1	-	-----	PZE,PZE/A,QZA,QZA/A,QZA6,QZA6/A,QZB,QZB/A,QZB2/A,QZE,QZE/A,QZE3,QZE3/A,QZE4,QZE4/A,QZE6,QZE6/A,QZF1/A,QZF8/A,TFX2/A,VEP4/A,VXE,VXE/A,VXE1,VXE1/A,VXE4,VXE4/A,VZA,VZA/A,VZA1,VZA1/A,VZE1,VZE1/A	
14	91504-750-003	CLIP, WIRE HARNESS .....	1	-	1	1	-----	PZE,PZE/A,QDA1,QDE1,QXF6,QZA,QZA/A,QZA1,QZA6,QZA6/A,QZB/A,QZB2/A,QZE,QZE/A,QZE3,QZE3/A,QZE4,QZE4/A,QZE6,QZE6/A,QZF1/A,QZF8/A,TFX2/A,VEP4/A,VXA3,VXE,VXE/A,VXEP,VXE1,VXE1/A,VXE4,VXE4/A,VZA,VZA/A,VZA1,VZA1/A,VZA4,VZE1,VZE1/A	
		.....	1	-	-	-	-----	TFX2	
		.....	-	(1)	-	-			
		.....	-	-	1	-	-----	QZB,QZF1	
15	95701-06008-00	BOLT, FLANGE, 6X8 .....	1	1	1	1			



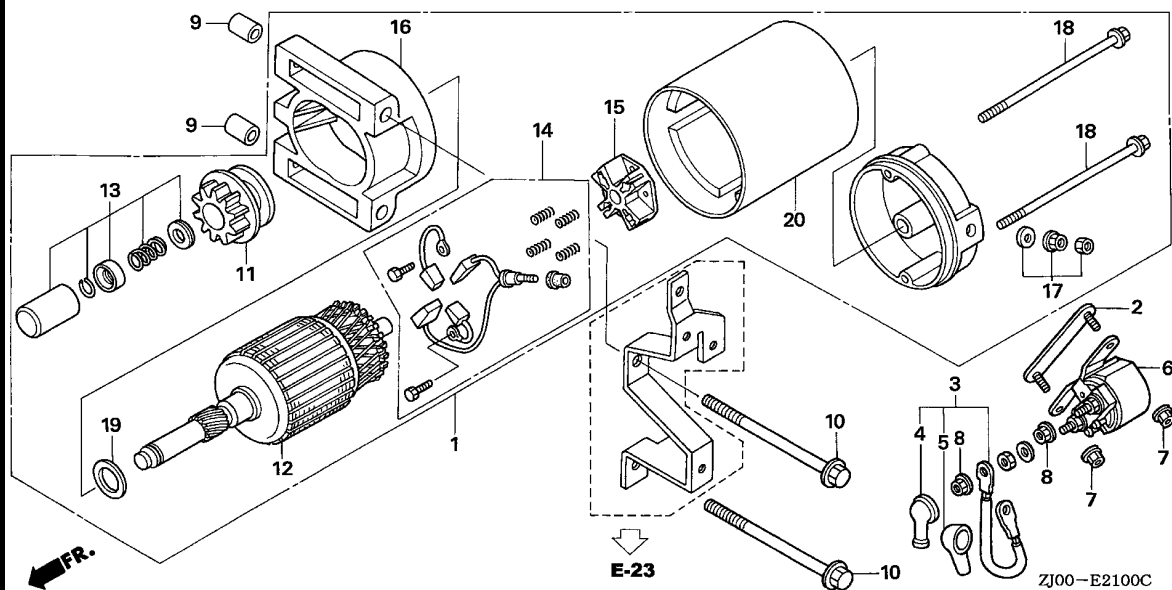


Ref. No.	Part No.	Description	Reqd. QTY				Serial No.	Parts catalogue code
			GX 610 (1)	GX 610 (2)	GX 610 K1 (3)	GX 610 (3)		
16	32763-PA0-000	CLAMP, CORD .....	-	-	1	-	PZE,PZE/A,QAD2,QAD2/A,QAF,QAF/A,QAF2,QAF2/A,QDE,QDE/A,QDF,QDF/A,QDF2,QDF2/A,QDF6,QDF6/A,QDW,QDW/A,QDX2,QDX2/A,QWF,QWF/A,QYF,QYF/A,QZA,QZA/A,QZA6,QZA6/A,QZB,QZB/A,QZB2,QZB2/A,QZE,QZE/A,QZE3,QZE3/A,QZE4,QZE4/A,QZE6,QZE6/A,QZF,QZF/A,QZF1,QZF1/A,QZF8,QZF8/A,QZX5,QZX5/A,TXF2,TXF2/A,VD,VD/A,VDF2,VDF2/A,VEP4,VEP4/A,VXD,VXD/A,VXE,VXE/A,VXE1,VXE1/A,VXE3,VXE3/A,VXE4,VXE4/A,VZA,VZA/A,VZA1,VZA1/A,VZA2,VZA2/A,VZE1,VZE1/A	
17	31630-ZJ0-880 31630-ZJ0-881	COIL ASSY., CHARGE (12V/3A) .....	1	-	-	1040311 1040312	VD,VXD VD,VXD	
18	91403-ZJ1-851	CLIP, HARNESS .....	-	-	1	-	VD,VD/A,VXD,VXD/A	
19	30550-ZJ1-841	COIL ASSY., IGNITION (R. SIDE) .....	-	-	1	-	SWD,SWD/A	
	30550-ZJ1-842	..... (R. SIDE)	-	-	1	2018565	PZE,QAF,QAF2,QDE,QDF,QDF2,QDF6,QDW,QWF,QYF,QZA,QZA6,QZB,QZB2,QZE,QZE3,QZE4,QZE6,QZF,QZF1,TXF2,VD,VXD,VXE,VXE1,VXE3,VXE4,VZA,VZA1,VZA2,VZE1	
	30550-ZJ1-843	..... (R. SIDE)	-	-	1	2047154 2018566 2047154	QAD2,QDX2,QZF8,QZX5,SWD,VDF2,VEP4 PZE,QAF,QAF2,QDE,QDF,QDF2,QDF6,QDW,QWF,QYF,QZA,QZA6,QZB,QZB2,QZE,QZE3,QZE4,QZE6,QZF,QZF1,TXF2,VD,VXD,VXE,VXE1,VXE3,VXE4,VZA,VZA1,VZA2,VZE1	
			-	-	1	2047155	2049300 PZE,QAD2,QAF,QAF2,QDE,QDF,QDF2,QDF6,QDW,QDX2,QWF,QYF,QZA,QZA6,QZB,QZB2,QZE,QZE3,QZE4,QZE6,QZF,QZF1,QZF8,QZX5,SWD,TXF2,VD,VDF2,VEP4,VXD,VXE,VXE1,VXE3,VXE4,VZA,VZA1,VZA2,VZE1	



Ref. No.	Part No.	Description	Reqd. QTY				Serial No.	Parts catalogue code
			GX 610 (1)	GX 610 (2)	GX 610 K1 (3)	GX 610 (3)		
19)	30550-ZJ1-844	COIL ASSY., IGNITION (R. SIDE)	-	-	1	-	PZE/A, QAD2/A, QAF/A, QAF2/A, QDE/A, QDF/A, QDF2/A, QDF6/A, QDW/A, QDX2/A, QWF/A, QYF/A, QZA/A, QZA6/A, QZB/A, QZB2/A, QZE/A, QZE3/A, QZE4/A, QZE6/A, QZF/A, QZF1/A, QZF8/A, QZX5/A, SWD/A, TXF2/A, VD/A, VDF2/A, VEP4/A, VXD/A, VXE/A, VXE1/A, VXE3/A, VXE4/A, VZA/A, VZA1/A, VZA2/A, VZE1/A	
	..	..	-	-	1	2049301	PZE, QAD2, QAF, QAF2, QDE, QDF, QDF2, QDF6, QDW, QDX2, QWF, QYF, QZA, QZA6, QZB, QZB2, QZE, QZE3, QZE4, QZE6, QZF, QZF1, QZF8, QZX5, SWD, TXF2, VD, VDF2, VEP4, VXD, VXE, VXE1, VXE3, VXE4, VZA, VZA1, VZA2, VZE1	





Ref. No.	L.O.N.	(Relative ref. Number) Description	F.R.T.
1	6121D5	MOTOR, STARTER .....	0.3
3	6121D6	CORD, MAGNET SWITCH .....	0.2
6	6121C9	SWITCH, STARTER MAGNETIC .....	0.2
11	6121B2	GEAR SET, STARTER PINION .....	0.4
12	6121A0	ARMATURE, STARTER .....	0.5
14	6121A8	BRUSH SET, STARTER .....	0.5

2

Ref. No.	Part No.	Description	Reqd. QTY				Serial No.	Parts catalogue code
			GX 610 (1)	GX 610 (2)	GX 610 K1 (3)	GX 610 (3)		
1	31200-ZJ1-004	MOTOR ASSY., STARTER .....	1	-	-	-	PZE,QAC6,QAF,QAF2,QDA1,QDE,QDE1,QDE6,QDF,QDF2,QDF6,QDW,QXE4,QXF6,QYF,QZA,QZA1,QZA6,QZB,QZE,QZE4,QZE6,QZF,QZF1,QZF6,TXF2,VD,VXA3,VXD,VXE,VXE1,VXE3,VXE4,VZA,VZA1,VZA4	
2	31243-ZJ1-800	BRACKET, STARTER MAGNETIC SETTING	-	1	-	1	PZE,QAF2,QDA1,QDE1,QXE4,QXF6,QZA,QZA1,QZA6,QZE,QZE4,QZE6,TXF2,VD,VXA3,VXD,VXE,VXEP,VXE1,VXE3,VXE4,VZA,VZA1,VZA4	
			1	-	-	1032300	QZF1	
3	32402-ZJ1-810	CORD, MAGNET SWITCH .....	1	-	-	1	PZE,QAF2,QDA1,QDE1,QXE4,QXF6,QZA,QZA1,QZA6,QZE,QZE4,QZE6,TXF2,VD,VXA3,VXD,VXE,VXEP,VXE1,VXE3,VXE4,VZA,VZA1,VZA4	
			1	-	-	1032300	QZF1	
4	32411-KB9-930	COVER A, MAGNETIC SWITCH ....	1	-	-	1	PZE,QAF2,QDA1,QDE1,QXE4,QXF6,QZA,QZA1,QZA6,QZE,QZE4,QZE6,TXF2,VD,VXA3,VXD,VXE,VXEP,VXE1,VXE3,VXE4,VZA,VZA1,VZA4	
			1	-	-	1032300	QZF1	
5	32411-402-000	COVER, STARTING MOTOR TERMINAL	1	-	-	1	PZE,QAF2,QDA1,QDE1,QXE4,QXF6,QZA,QZA1,QZA6,QZE,QZE4,QZE6,TXF2,VD,VXA3,VXD,VXE,VXEP,VXE1,VXE3,VXE4,VZA,VZA1,VZA4	
			1	-	-	1032300	QZF1	
6	35850-ZJ1-811	SWITCH ASSY., STARTER MAGNETIC	1	-	-	1	PZE,QAF2,QDA1,QDE1,QXE4,QXF6,QZA,QZA1,QZA6,QZE,QZE4,QZE6,TXF2,VD,VXA3,VXD,VXE,VXEP,VXE1,VXE3,VXE4,VZA,VZA1,VZA4	
			1	-	-	1032300	QZF1	
			-	(1)	-	-		

Ref. No.	Part No.	Description	Reqd. QTY				Serial No.	Parts catalogue code
			GX 610	GX 610	GX 610 K1	GX 610		
			(1)	(2)	(3)			
7	94050-06000	NUT, FLANGE, 6MM .....	2	-	-	2	PZE,QAF2,QDA1,QDE1,QXE4,QXF6,QZA,QZA1,QZA6,QZE,QZE4,QZE6,TXF2 VD,VXA3,VXD,VXE,VXEP,VXE1,VXE3,VXE4,VZA,VZA1,VZA4	
			2	-	-	1032300	QZF1	
			-	(2)	-	-		
8	94070-06080	NUT-WASHER, 6MM .....	2	-	-	2	PZE,QAF2,QDA1,QDE1,QXE4,QXF6,QZA,QZA1,QZA6,QZE,QZE4,QZE6,TXF2 VD,VXA3,VXD,VXE,VXEP,VXE1,VXE3,VXE4,VZA,VZA1,VZA4	
			2	-	-	1032300	QZF1	
			-	(2)	-	-		
9	94301-10120	DOWEL PIN, 10X12 .....	2	-	-	-	PZE,QAC6,QAF,QAF2,QDA1,QDE,QDE1,QDE6,QDF,QDF2,QDF6,QDW,QXE4 QXF6,QYF,QZA,QZA1,QZA6,QZB,QZE,QZE4,QZE6,QZF,QZF1,QZF6,TXF2,VD VXA3,VXD,VXE,VXE1,VXE3,VXE4,VZA,VZA1,VZA4	
10	95701-08110-00	BOLT, FLANGE, 8X110 .....	-	2	-	2	PZE,QAC6,QAF,QAF2,QDA1,QDE,QDE1,QDE6,QDF,QDF2,QDF6,QDW,QXE4 QXF6,QYF,QZA,QZA1,QZA6,QZB,QZE,QZE4,QZE6,QZF,QZF1,QZF6,TXF2,VD VXA3,VXD,VXE,VXE1,VXE3,VXE4,VZA,VZA1,VZA4	
			2	-	-	-		
			-	2	-	2		
11	31213-ZJ1-004	GEAR SET, PINION .....	1	-	-	-	PZE,QAC6,QAF,QAF2,QDA1,QDE,QDE1,QDE6,QDF,QDF2,QDF6,QDW,QXE4 QXF6,QYF,QZA,QZA1,QZA6,QZB,QZE,QZE4,QZE6,QZF,QZF1,QZF6,TXF2,VD VXA3,VXD,VXE,VXE1,VXE3,VXE4,VZA,VZA1,VZA4	
12	31217-ZJ1-004	ARMATURE COMP. ....	-	1	-	1	PZE,QAC6,QAF,QAF2,QDA1,QDE,QDE1,QDE6,QDF,QDF2,QDF6,QDW,QXE4 QXF6,QYF,QZA,QZA1,QZA6,QZB,QZE,QZE4,QZE6,QZF,QZF1,QZF6,TXF2,VD VXA3,VXD,VXE,VXE1,VXE3,VXE4,VZA,VZA1,VZA4	
			1	-	-	-		
13	31225-ZJ1-004	STOPPER SET, PINION .....	-	1	-	1	PZE,QAC6,QAF,QAF2,QDA1,QDE,QDE1,QDE6,QDF,QDF2,QDF6,QDW,QXE4 QXF6,QYF,QZA,QZA1,QZA6,QZB,QZE,QZE4,QZE6,QZF,QZF1,QZF6,TXF2,VD VXA3,VXD,VXE,VXE1,VXE3,VXE4,VZA,VZA1,VZA4	
			1	-	-	-		
14	31226-ZJ1-004	BRUSH SET .....	-	1	-	1	PZE,QAC6,QAF,QAF2,QDA1,QDE,QDE1,QDE6,QDF,QDF2,QDF6,QDW,QXE4 QXF6,QYF,QZA,QZA1,QZA6,QZB,QZE,QZE4,QZE6,QZF,QZF1,QZF6,TXF2,VD VXA3,VXD,VXE,VXE1,VXE3,VXE4,VZA,VZA1,VZA4	
			1	-	-	-		
15	31231-ZJ1-004	HOLDER COMP., BRUSH .....	-	1	-	1	PZE,QAC6,QAF,QAF2,QDA1,QDE,QDE1,QDE6,QDF,QDF2,QDF6,QDW,QXE4 QXF6,QYF,QZA,QZA1,QZA6,QZB,QZE,QZE4,QZE6,QZF,QZF1,QZF6,TXF2,VD VXA3,VXD,VXE,VXE1,VXE3,VXE4,VZA,VZA1,VZA4	
			1	-	-	-		
			-	1	-	1		
16	31235-ZJ1-004	BRACKET COMP., FR. ....	1	-	-	-	PZE,QAC6,QAF,QAF2,QDA1,QDE,QDE1,QDE6,QDF,QDF2,QDF6,QDW,QXE4 QXF6,QYF,QZA,QZA1,QZA6,QZB,QZE,QZE4,QZE6,QZF,QZF1,QZF6,TXF2,VD VXA3,VXD,VXE,VXE1,VXE3,VXE4,VZA,VZA1,VZA4	
			-	1	-	1		
17	31237-ZJ1-004	NUT SET, TERMINAL .....	1	-	-	-	PZE,QAC6,QAF,QAF2,QDA1,QDE,QDE1,QDE6,QDF,QDF2,QDF6,QDW,QXE4 QXF6,QYF,QZA,QZA1,QZA6,QZB,QZE,QZE4,QZE6,QZF,QZF1,QZF6,TXF2,VD VXA3,VXD,VXE,VXE1,VXE3,VXE4,VZA,VZA1,VZA4	
			-	1	-	1		
18	31261-ZJ1-004	BOLT, THROUGH .....	-	1	-	1	PZE,QAC6,QAF,QAF2,QDA1,QDE,QDE1,QDE6,QDF,QDF2,QDF6,QDW,QXE4 QXF6,QYF,QZA,QZA1,QZA6,QZB,QZE,QZE4,QZE6,QZF,QZF1,QZF6,TXF2,VD VXA3,VXD,VXE,VXE1,VXE3,VXE4,VZA,VZA1,VZA4	
			2	-	-	-		
19	90407-ZJ1-004	WASHER, THRUST .....	-	2	-	2	PZE,QAC6,QAF,QAF2,QDA1,QDE,QDE1,QDE6,QDF,QDF2,QDF6,QDW,QXE4 QXF6,QYF,QZA,QZA1,QZA6,QZB,QZE,QZE4,QZE6,QZF,QZF1,QZF6,TXF2,VD VXA3,VXD,VXE,VXE1,VXE3,VXE4,VZA,VZA1,VZA4	
			1	-	-	-		
20	31216-ZJ1-004	YOKE COMP. ....	-	1	-	1	PZE,QAC6,QAF,QAF2,QDA1,QDE,QDE1,QDE6,QDF,QDF2,QDF6,QDW,QXE4 QXF6,QYF,QZA,QZA1,QZA6,QZB,QZE,QZE4,QZE6,QZF,QZF1,QZF6,TXF2,VD VXA3,VXD,VXE,VXE1,VXE3,VXE4,VZA,VZA1,VZA4	
			1	-	-	-		
			-	1	-	1		

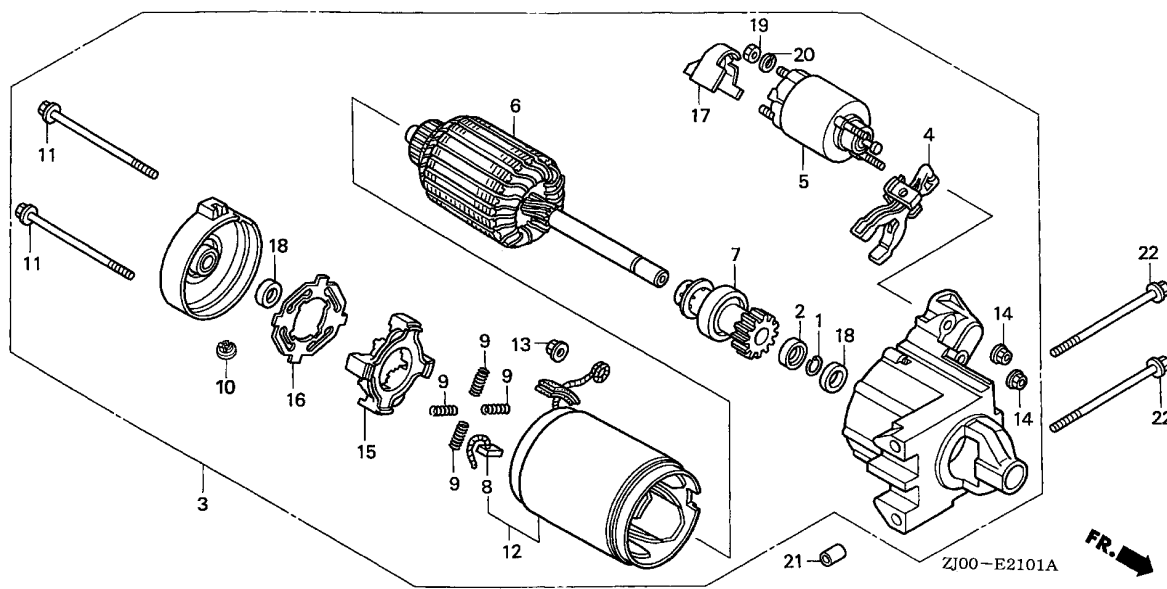




E-21-1

STARTER MOTOR(2)

I12



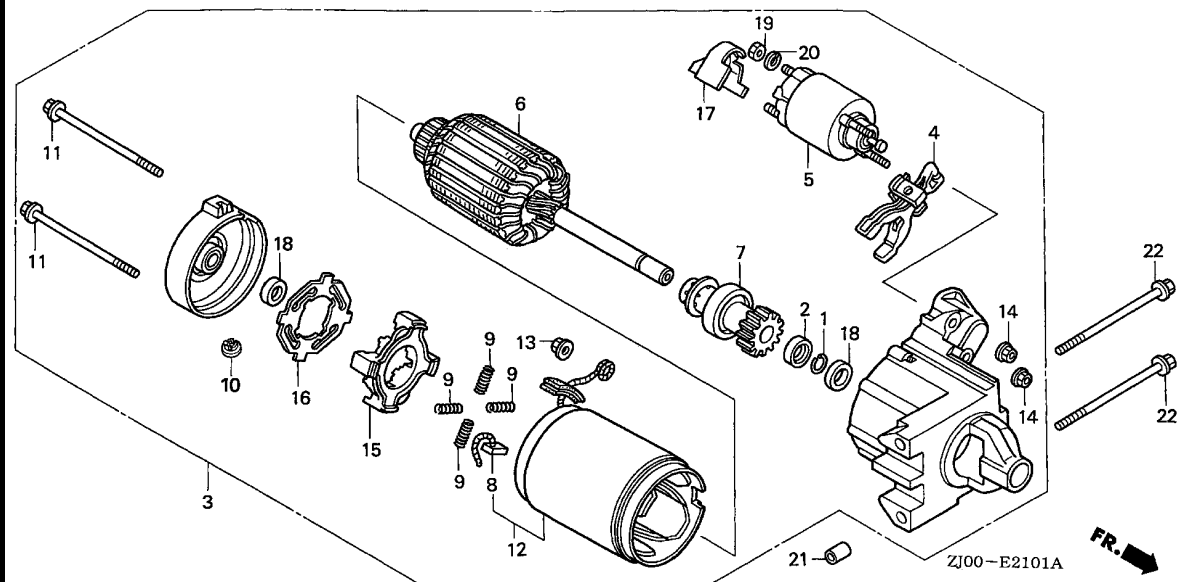
Ref. No.	L.O.N.	(Relative ref. Number) Description	F.R.T.
3	6121D5	MOTOR, STARTER .....	0.3
4	6121B7	LEVER, PINION DRIVE .....	0.3
5	6121C9	SWITCH, STARTER MAGNETIC .....	0.3
6	6121A0	ARMATURE, STARTER .....	0.6
7	6121B0	CLUTCH, OVERRUNNING .....	0.6
8	6121A9	BRUSH, STARTER .....	0.6
12	6121D1	YOKE, STARTER .....	0.6
18	6121A3	BEARING, ARMATURE .....	0.5

2

Ref. No.	Part No.	Description	Reqd. QTY				Serial No.	Parts catalogue code
			GX 610	GX 610	GX 610	GX 610		
1	30201-PH9-004	RING, SNAP (DENSO) .....	-	-	1	-	PZE, PZE/A, QAD2, QAD2/A, QAF, QAF/A, QAF2, QAF2/A, QDE, QDE/A, QDF, QDF/A, QDF2, QDF2/A, QDF6, QDF6/A, QDW, QDW/A, QDX2, QDX2/A, QWF, QWF/A, QYF, QYF/A, QZA, QZA/A, QZA6, QZA6/A, QZB, QZB/A, QZB2, QZB2/A, QZE, QZE/A, QZE3, QZE3/A, QZE4, QZE4/A, QZE6, QZE6/A, QZF, QZF/A, QZF1, QZF1/A, QZF8, QZF8/A, SWD, SWD/A, TXF2, TXF2/A, VD, VD/A, VDF2, VDF2/A, VEP4, VEP4/A, VXD, VXD/A, VXE, VXE/A, VXE1, VXE1/A, VXE3, VXE3/A, VXE4, VXE4/A, VZA, VZA/A, VZA1, VZA1/A, VZA2, VZA2/A, VZE1, VZE1/A	
2	30202-PZ1-003	COLLAR SET, CLUTCH STOP .....	-	-	1	-	PZE, PZE/A, QAD2, QAD2/A, QAF, QAF/A, QAF2, QAF2/A, QDE, QDE/A, QDF, QDF/A, QDF2, QDF2/A, QDF6, QDF6/A, QDW, QDW/A, QDX2, QDX2/A, QWF, QWF/A, QYF, QYF/A, QZA, QZA/A, QZA6, QZA6/A, QZB, QZB/A, QZB2, QZB2/A, QZE, QZE/A, QZE3, QZE3/A, QZE4, QZE4/A, QZE6, QZE6/A, QZF, QZF/A, QZF1, QZF1/A, QZF8, QZF8/A, SWD, SWD/A, TXF2, TXF2/A, VD, VD/A, VDF2, VDF2/A, VEP4, VEP4/A, VXD, VXD/A, VXE, VXE/A, VXE1, VXE1/A, VXE3, VXE3/A, VXE4, VXE4/A, VZA, VZA/A, VZA1, VZA1/A, VZA2, VZA2/A, VZE1, VZE1/A	
3	31200-ZJ1-841	MOTOR ASSY., STARTER .....	-	-	1	-	PZE, PZE/A, QAD2, QAD2/A, QAF, QAF/A, QAF2, QAF2/A, QDE, QDE/A, QDF, QDF/A, QDF2, QDF2/A, QDF6, QDF6/A, QDW, QDW/A, QDX2, QDX2/A, QWF, QWF/A, QYF, QYF/A, QZA, QZA/A, QZA6, QZA6/A, QZB, QZB/A, QZB2, QZB2/A, QZE, QZE/A, QZE3, QZE3/A, QZE4, QZE4/A, QZE6, QZE6/A, QZF, QZF/A, QZF1, QZF1/A, QZF8, QZF8/A, SWD, SWD/A, TXF2, TXF2/A, VD, VD/A, VDF2, VDF2/A, VEP4, VEP4/A, VXD, VXD/A, VXE, VXE/A, VXE1, VXE1/A, VXE3, VXE3/A, VXE4, VXE4/A, VZA, VZA/A, VZA1, VZA1/A, VZA2, VZA2/A, VZE1, VZE1/A	
4	31203-PH9-004	LEVER, PINION DRIVE .....	-	-	1	-	PZE, PZE/A, QAD2, QAD2/A, QAF, QAF/A, QAF2, QAF2/A, QDE, QDE/A, QDF, QDF/A, QDF2, QDF2/A, QDF6, QDF6/A, QDW, QDW/A, QDX2, QDX2/A, QWF, QWF/A, QYF, QYF/A, QZA, QZA/A, QZA6, QZA6/A, QZB, QZB/A, QZB2, QZB2/A, QZE, QZE/A, QZE3, QZE3/A, QZE4, QZE4/A, QZE6, QZE6/A, QZF, QZF/A, QZF1, QZF1/A, QZF8, QZF8/A, SWD, SWD/A, TXF2, TXF2/A, VD, VD/A, VDF2, VDF2/A, VEP4, VEP4/A, VXD, VXD/A, VXE, VXE/A, VXE1, VXE1/A, VXE3, VXE3/A, VXE4, VXE4/A, VZA, VZA/A, VZA1, VZA1/A, VZA2, VZA2/A, VZE1, VZE1/A	

Ref. No.	Part No.	Description	Reqd. QTY				Serial No.	Parts catalogue code
			GX 610	GX 610	GX 610 K1	GX 610		
			(1)	(2)	(3)			
5	31204-ZJ1-H01	SWITCH ASSY., MAGNET .....	-	-	1	-	PZE,PZE/A,QAD2,QAD2/A,QAF,QAF/A,QAF2,QAF2/A,QDE,QDE/A,QDF QDF/A,QDF2,QDF2/A,QDF6,QDF6/A,QDW,QDW/A,QDX2,QDX2/A,QWF,QWF/A QYF,QYF/A,QZA,QZA/A,QZA6,QZA6/A,QZB,QZB/A,QZB2,QZB2/A,QZE QZE/A,QZE3,QZE3/A,QZE4,QZE4/A,QZE6,QZE6/A,QZF,QZF/A,QZF1 QZF1/A,QZF8,QZF8/A,SWD,SWD/A,TXF2,TXF2/A,VD,VD/A,VDF2,VDF2/A VEP4,VEP4/A,VXD,VXD/A,VXE,VXE/A,VXE1,VXE1/A,VXE3,VXE3/A,VXE4 VXE4/A,VZA,VZA/A,VZA1,VZA1/A,VZA2,VZA2/A,VZE1,VZE1/A	
6	31206-ZG4-801	ARMATURE COMP. ....	-	-	1	-	PZE,PZE/A,QAD2,QAD2/A,QAF,QAF/A,QAF2,QAF2/A,QDE,QDE/A,QDF QDF/A,QDF2,QDF2/A,QDF6,QDF6/A,QDW,QDW/A,QDX2,QDX2/A,QWF,QWF/A QYF,QYF/A,QZA,QZA/A,QZA6,QZA6/A,QZB,QZB/A,QZB2,QZB2/A,QZE QZE/A,QZE3,QZE3/A,QZE4,QZE4/A,QZE6,QZE6/A,QZF,QZF/A,QZF1 QZF1/A,QZF8,QZF8/A,SWD,SWD/A,TXF2,TXF2/A,VD,VD/A,VDF2,VDF2/A VEP4,VEP4/A,VXD,VXD/A,VXE,VXE/A,VXE1,VXE1/A,VXE3,VXE3/A,VXE4 VXE4/A,VZA,VZA/A,VZA1,VZA1/A,VZA2,VZA2/A,VZE1,VZE1/A	
7	31207-ZJ1-H01	CLUTCH COMP., OVERRUNNING ...	-	-	1	-	PZE,PZE/A,QAD2,QAD2/A,QAF,QAF/A,QAF2,QAF2/A,QDE,QDE/A,QDF QDF/A,QDF2,QDF2/A,QDF6,QDF6/A,QDW,QDW/A,QDX2,QDX2/A,QWF,QWF/A QYF,QYF/A,QZA,QZA/A,QZA6,QZA6/A,QZB,QZB/A,QZB2,QZB2/A,QZE QZE/A,QZE3,QZE3/A,QZE4,QZE4/A,QZE6,QZE6/A,QZF,QZF/A,QZF1 QZF1/A,QZF8,QZF8/A,SWD,SWD/A,TXF2,TXF2/A,VD,VD/A,VDF2,VDF2/A VEP4,VEP4/A,VXD,VXD/A,VXE,VXE/A,VXE1,VXE1/A,VXE3,VXE3/A,VXE4 VXE4/A,VZA,VZA/A,VZA1,VZA1/A,VZA2,VZA2/A,VZE1,VZE1/A	
8	31211-PH9-004	BRUSH .....	-	-	4	-	PZE,PZE/A,QAD2,QAD2/A,QAF,QAF/A,QAF2,QAF2/A,QDE,QDE/A,QDF QDF/A,QDF2,QDF2/A,QDF6,QDF6/A,QDW,QDW/A,QDX2,QDX2/A,QWF,QWF/A QYF,QYF/A,QZA,QZA/A,QZA6,QZA6/A,QZB,QZB/A,QZB2,QZB2/A,QZE QZE/A,QZE3,QZE3/A,QZE4,QZE4/A,QZE6,QZE6/A,QZF,QZF/A,QZF1 QZF1/A,QZF8,QZF8/A,SWD,SWD/A,TXF2,TXF2/A,VD,VD/A,VDF2,VDF2/A VEP4,VEP4/A,VXD,VXD/A,VXE,VXE/A,VXE1,VXE1/A,VXE3,VXE3/A,VXE4 VXE4/A,VZA,VZA/A,VZA1,VZA1/A,VZA2,VZA2/A,VZE1,VZE1/A	
9	31212-PH9-004	SPRING, BRUSH .....	-	-	4	-	PZE,PZE/A,QAD2,QAD2/A,QAF,QAF/A,QAF2,QAF2/A,QDE,QDE/A,QDF QDF/A,QDF2,QDF2/A,QDF6,QDF6/A,QDW,QDW/A,QDX2,QDX2/A,QWF,QWF/A QYF,QYF/A,QZA,QZA/A,QZA6,QZA6/A,QZB,QZB/A,QZB2,QZB2/A,QZE QZE/A,QZE3,QZE3/A,QZE4,QZE4/A,QZE6,QZE6/A,QZF,QZF/A,QZF1 QZF1/A,QZF8,QZF8/A,SWD,SWD/A,TXF2,TXF2/A,VD,VD/A,VDF2,VDF2/A VEP4,VEP4/A,VXD,VXD/A,VXE,VXE/A,VXE1,VXE1/A,VXE3,VXE3/A,VXE4 VXE4/A,VZA,VZA/A,VZA1,VZA1/A,VZA2,VZA2/A,VZE1,VZE1/A	
10	31213-P64-N01	COVER .....	-	-	1	-	PZE,PZE/A,QAD2,QAD2/A,QAF,QAF/A,QAF2,QAF2/A,QDE,QDE/A,QDF QDF/A,QDF2,QDF2/A,QDF6,QDF6/A,QDW,QDW/A,QDX2,QDX2/A,QWF,QWF/A QYF,QYF/A,QZA,QZA/A,QZA6,QZA6/A,QZB,QZB/A,QZB2,QZB2/A,QZE QZE/A,QZE3,QZE3/A,QZE4,QZE4/A,QZE6,QZE6/A,QZF,QZF/A,QZF1 QZF1/A,QZF8,QZF8/A,SWD,SWD/A,TXF2,TXF2/A,VD,VD/A,VDF2,VDF2/A VEP4,VEP4/A,VXD,VXD/A,VXE,VXE/A,VXE1,VXE1/A,VXE3,VXE3/A,VXE4 VXE4/A,VZA,VZA/A,VZA1,VZA1/A,VZA2,VZA2/A,VZE1,VZE1/A	
11	31214-PH9-004	BOLT, THROUGH .....	-	-	2	-	PZE,PZE/A,QAD2,QAD2/A,QAF,QAF/A,QAF2,QAF2/A,QDE,QDE/A,QDF QDF/A,QDF2,QDF2/A,QDF6,QDF6/A,QDW,QDW/A,QDX2,QDX2/A,QWF,QWF/A QYF,QYF/A,QZA,QZA/A,QZA6,QZA6/A,QZB,QZB/A,QZB2,QZB2/A,QZE QZE/A,QZE3,QZE3/A,QZE4,QZE4/A,QZE6,QZE6/A,QZF,QZF/A,QZF1 QZF1/A,QZF8,QZF8/A,SWD,SWD/A,TXF2,TXF2/A,VD,VD/A,VDF2,VDF2/A VEP4,VEP4/A,VXD,VXD/A,VXE,VXE/A,VXE1,VXE1/A,VXE3,VXE3/A,VXE4 VXE4/A,VZA,VZA/A,VZA1,VZA1/A,VZA2,VZA2/A,VZE1,VZE1/A	

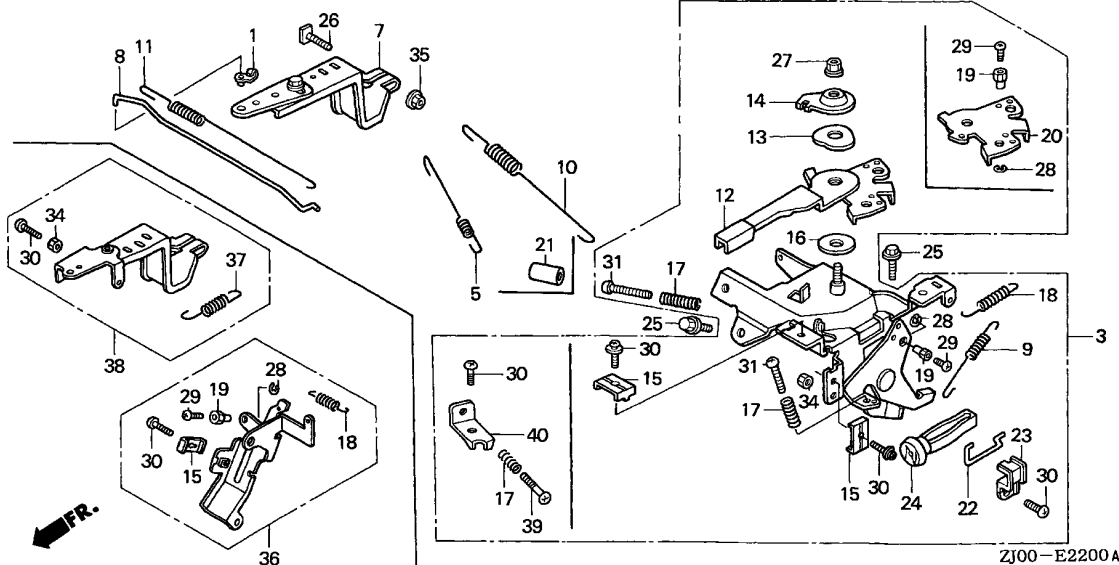




Ref. No.	Part No.	Description	Reqd. QTY				Serial No.	Parts catalogue code
			GX 610 (1)	GX 610 (2)	GX 610 K1 (3)	GX 610 (3)		
12	31216-ZJ1-H01	YOKE COMP. ....	-	-	1	-	PZE,PZE/A,QAD2,QAD2/A,QAF,QAF/A,QAF2,QAF2/A,QDE,QDE/A,QDF,QDF/A,QDF2,QDF2/A,QDF6,QDF6/A,QDW,QDW/A,QDX2,QDX2/A,QWF,QWF/A,QYF,QYF/A,QZA,QZA/A,QZA6,QZA6/A,QZB,QZB/A,QZB2,QZB2/A,QZE,QZE/A,QZE3,QZE3/A,QZE4,QZE4/A,QZE6,QZE6/A,QZF,QZF/A,QZF1,QZF1/A,QZF8,QZF8/A,SWD,SWD/A,TFX2,TFX2/A,VD,VD/A,VDF2,VDF2/A,VEP4,VEP4/A,VXD,VXD/A,VXE,VXE/A,VXE1,VXE1/A,VXE3,VXE3/A,VXE4,VXE4/A,VZA,VZA/A,VZA1,VZA1/A,VZA2,VZA2/A,VZE1,VZE1/A	
13	31220-PH9-004	NUT, HEX., 8MM ....	-	-	1	-	PZE,PZE/A,QAD2,QAD2/A,QAF,QAF/A,QAF2,QAF2/A,QDE,QDE/A,QDF,QDF/A,QDF2,QDF2/A,QDF6,QDF6/A,QDW,QDW/A,QDX2,QDX2/A,QWF,QWF/A,QYF,QYF/A,QZA,QZA/A,QZA6,QZA6/A,QZB,QZB/A,QZB2,QZB2/A,QZE,QZE/A,QZE3,QZE3/A,QZE4,QZE4/A,QZE6,QZE6/A,QZF,QZF/A,QZF1,QZF1/A,QZF8,QZF8/A,SWD,SWD/A,TFX2,TFX2/A,VD,VD/A,VDF2,VDF2/A,VEP4,VEP4/A,VXD,VXD/A,VXE,VXE/A,VXE1,VXE1/A,VXE3,VXE3/A,VXE4,VXE4/A,VZA,VZA/A,VZA1,VZA1/A,VZA2,VZA2/A,VZE1,VZE1/A	
14	31223-PA0-006	NUT, FLANGE, 5MM ....	-	-	2	-	PZE,PZE/A,QAD2,QAD2/A,QAF,QAF/A,QAF2,QAF2/A,QDE,QDE/A,QDF,QDF/A,QDF2,QDF2/A,QDF6,QDF6/A,QDW,QDW/A,QDX2,QDX2/A,QWF,QWF/A,QYF,QYF/A,QZA,QZA/A,QZA6,QZA6/A,QZB,QZB/A,QZB2,QZB2/A,QZE,QZE/A,QZE3,QZE3/A,QZE4,QZE4/A,QZE6,QZE6/A,QZF,QZF/A,QZF1,QZF1/A,QZF8,QZF8/A,SWD,SWD/A,TFX2,TFX2/A,VD,VD/A,VDF2,VDF2/A,VEP4,VEP4/A,VXD,VXD/A,VXE,VXE/A,VXE1,VXE1/A,VXE3,VXE3/A,VXE4,VXE4/A,VZA,VZA/A,VZA1,VZA1/A,VZA2,VZA2/A,VZE1,VZE1/A	
15	31231-PH9-004	HOLDER, BRUSH ....	-	-	1	-	PZE,PZE/A,QAD2,QAD2/A,QAF,QAF/A,QAF2,QAF2/A,QDE,QDE/A,QDF,QDF/A,QDF2,QDF2/A,QDF6,QDF6/A,QDW,QDW/A,QDX2,QDX2/A,QWF,QWF/A,QYF,QYF/A,QZA,QZA/A,QZA6,QZA6/A,QZB,QZB/A,QZB2,QZB2/A,QZE,QZE/A,QZE3,QZE3/A,QZE4,QZE4/A,QZE6,QZE6/A,QZF,QZF/A,QZF1,QZF1/A,QZF8,QZF8/A,SWD,SWD/A,TFX2,TFX2/A,VD,VD/A,VDF2,VDF2/A,VEP4,VEP4/A,VXD,VXD/A,VXE,VXE/A,VXE1,VXE1/A,VXE3,VXE3/A,VXE4,VXE4/A,VZA,VZA/A,VZA1,VZA1/A,VZA2,VZA2/A,VZE1,VZE1/A	

Ref. No.	Part No.	Description	Reqd. QTY				Serial No.	Parts catalogue code
			GX 610	GX 610	GX 610 K1	GX 610		
			(1)	(2)	(3)			
16	31233-PH9-004	INSULATOR, BRUSH HOLDER .....	-	-	1	-	PZE,PZE/A,QAD2,QAD2/A,QAF,QAF/A,QAF2,QAF2/A,QDE,QDE/A,QDF QDF/A,QDF2,QDF2/A,QDF6,QDF6/A,QDW,QDW/A,QDX2,QDX2/A,QWF,QWF/A QYF,QYF/A,QZA,QZA/A,QZA6,QZA6/A,QZB,QZB/A,QZB2,QZB2/A,QZE QZE/A,QZE3,QZE3/A,QZE4,QZE4/A,QZE6,QZE6/A,QZF,QZF/A,QZF1 QZF1/A,QZF8,QZF8/A,SWD,SWD/A,TFX2,TFX2/A,VD,VD/A,VDF2,VDF2/A VEP4,VEP4/A,VXD,VXD/A,VXE,VXE/A,VXE1,VXE1/A,VXE3,VXE3/A,VXE4 VXE4/A,VZA,VZA/A,VZA1,VZA1/A,VZA2,VZA2/A,VZE1,VZE1/A	
17	31234-ZJ1-H01	COVER, TERMINAL .....	-	-	1	-	PZE,PZE/A,QAD2,QAD2/A,QAF,QAF/A,QAF2,QAF2/A,QDE,QDE/A,QDF QDF/A,QDF2,QDF2/A,QDF6,QDF6/A,QDW,QDW/A,QDX2,QDX2/A,QWF,QWF/A QYF,QYF/A,QZA,QZA/A,QZA6,QZA6/A,QZB,QZB/A,QZB2,QZB2/A,QZE QZE/A,QZE3,QZE3/A,QZE4,QZE4/A,QZE6,QZE6/A,QZF,QZF/A,QZF1 QZF1/A,QZF8,QZF8/A,SWD,SWD/A,TFX2,TFX2/A,VD,VD/A,VDF2,VDF2/A VEP4,VEP4/A,VXD,VXD/A,VXE,VXE/A,VXE1,VXE1/A,VXE3,VXE3/A,VXE4 VXE4/A,VZA,VZA/A,VZA1,VZA1/A,VZA2,VZA2/A,VZE1,VZE1/A	
18	91002-ZG4-801	BEARING A .....	-	-	2	-	PZE,PZE/A,QAD2,QAD2/A,QAF,QAF/A,QAF2,QAF2/A,QDE,QDE/A,QDF QDF/A,QDF2,QDF2/A,QDF6,QDF6/A,QDW,QDW/A,QDX2,QDX2/A,QWF,QWF/A QYF,QYF/A,QZA,QZA/A,QZA6,QZA6/A,QZB,QZB/A,QZB2,QZB2/A,QZE QZE/A,QZE3,QZE3/A,QZE4,QZE4/A,QZE6,QZE6/A,QZF,QZF/A,QZF1 QZF1/A,QZF8,QZF8/A,SWD,SWD/A,TFX2,TFX2/A,VD,VD/A,VDF2,VDF2/A VEP4,VEP4/A,VXD,VXD/A,VXE,VXE/A,VXE1,VXE1/A,VXE3,VXE3/A,VXE4 VXE4/A,VZA,VZA/A,VZA1,VZA1/A,VZA2,VZA2/A,VZE1,VZE1/A	
19	94001-08200-0S	NUT, HEX., 8MM .....	-	-	1	-	PZE,PZE/A,QAD2,QAD2/A,QAF,QAF/A,QAF2,QAF2/A,QDE,QDE/A,QDF QDF/A,QDF2,QDF2/A,QDF6,QDF6/A,QDW,QDW/A,QDX2,QDX2/A,QWF,QWF/A QYF,QYF/A,QZA,QZA/A,QZA6,QZA6/A,QZB,QZB/A,QZB2,QZB2/A,QZE QZE/A,QZE3,QZE3/A,QZE4,QZE4/A,QZE6,QZE6/A,QZF,QZF/A,QZF1 QZF1/A,QZF8,QZF8/A,SWD,SWD/A,TFX2,TFX2/A,VD,VD/A,VDF2,VDF2/A VEP4,VEP4/A,VXD,VXD/A,VXE,VXE/A,VXE1,VXE1/A,VXE3,VXE3/A,VXE4 VXE4/A,VZA,VZA/A,VZA1,VZA1/A,VZA2,VZA2/A,VZE1,VZE1/A	
20	94111-08000	WASHER, SPRING, 8MM .....	-	-	1	-	PZE,PZE/A,QAD2,QAD2/A,QAF,QAF/A,QAF2,QAF2/A,QDE,QDE/A,QDF QDF/A,QDF2,QDF2/A,QDF6,QDF6/A,QDW,QDW/A,QDX2,QDX2/A,QWF,QWF/A QYF,QYF/A,QZA,QZA/A,QZA6,QZA6/A,QZB,QZB/A,QZB2,QZB2/A,QZE QZE/A,QZE3,QZE3/A,QZE4,QZE4/A,QZE6,QZE6/A,QZF,QZF/A,QZF1 QZF1/A,QZF8,QZF8/A,SWD,SWD/A,TFX2,TFX2/A,VD,VD/A,VDF2,VDF2/A VEP4,VEP4/A,VXD,VXD/A,VXE,VXE/A,VXE1,VXE1/A,VXE3,VXE3/A,VXE4 VXE4/A,VZA,VZA/A,VZA1,VZA1/A,VZA2,VZA2/A,VZE1,VZE1/A	
21	94301-10120	DOWEL PIN, 10X12 .....	-	-	2	-	PZE,PZE/A,QAD2,QAD2/A,QAF,QAF/A,QAF2,QAF2/A,QDE,QDE/A,QDF QDF/A,QDF2,QDF2/A,QDF6,QDF6/A,QDW,QDW/A,QDX2,QDX2/A,QWF,QWF/A QYF,QYF/A,QZA,QZA/A,QZA6,QZA6/A,QZB,QZB/A,QZB2,QZB2/A,QZE QZE/A,QZE3,QZE3/A,QZE4,QZE4/A,QZE6,QZE6/A,QZF,QZF/A,QZF1 QZF1/A,QZF8,QZF8/A,SWD,SWD/A,TFX2,TFX2/A,VD,VD/A,VDF2,VDF2/A VEP4,VEP4/A,VXD,VXD/A,VXE,VXE/A,VXE1,VXE1/A,VXE3,VXE3/A,VXE4 VXE4/A,VZA,VZA/A,VZA1,VZA1/A,VZA2,VZA2/A,VZE1,VZE1/A	
22	95701-08110-00	BOLT, FLANGE, 8X110 .....	-	-	2	-	PZE,PZE/A,QAD2,QAD2/A,QAF,QAF/A,QAF2,QAF2/A,QDE,QDE/A,QDF QDF/A,QDF2,QDF2/A,QDF6,QDF6/A,QDW,QDW/A,QDX2,QDX2/A,QWF,QWF/A QYF,QYF/A,QZA,QZA/A,QZA6,QZA6/A,QZB,QZB/A,QZB2,QZB2/A,QZE QZE/A,QZE3,QZE3/A,QZE4,QZE4/A,QZE6,QZE6/A,QZF,QZF/A,QZF1 QZF1/A,QZF8,QZF8/A,SWD,SWD/A,TFX2,TFX2/A,VD,VD/A,VDF2,VDF2/A VEP4,VEP4/A,VXD,VXD/A,VXE,VXE/A,VXE1,VXE1/A,VXE3,VXE3/A,VXE4 VXE4/A,VZA,VZA/A,VZA1,VZA1/A,VZA2,VZA2/A,VZE1,VZE1/A	





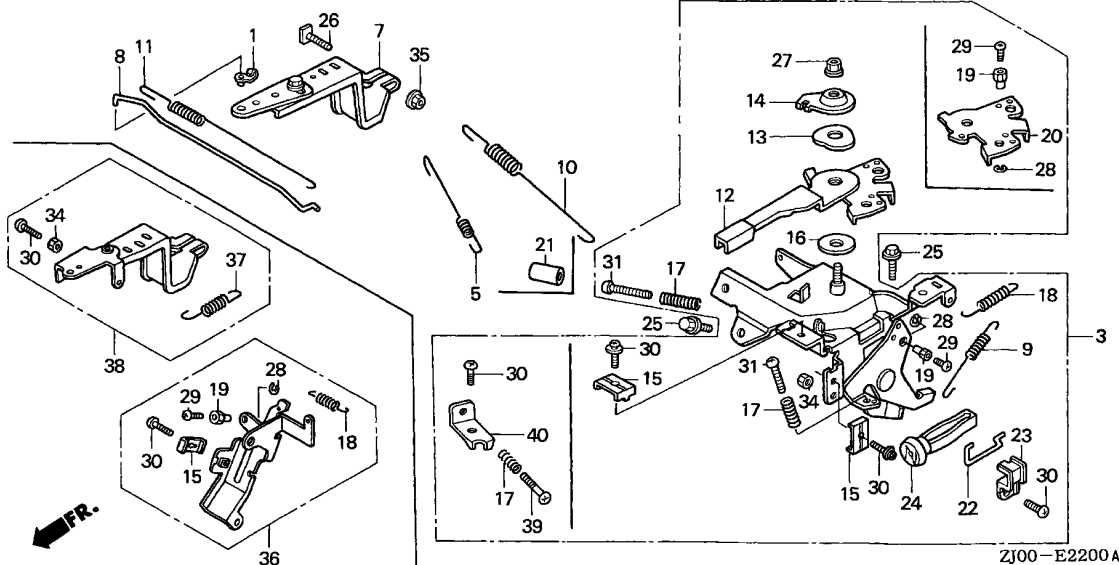
Ref. No.	L.O.N.	(Relative ref. Number) Description	F.R.T.
3	1161A5	CONTROL, THROTTLE/GOVERNOR ...	0.3
5	1161C1	SPRING, STARTER .....	0.2
7		(38)	
	1161A0	ARM, GOVERNOR .....	0.3
8	1161B1	ROD, GOVERNOR .....	0.3
10	1161C5	SPRING, GOVERNOR .....	0.2
11	1161C2	SPRING, THROTTLE RETURN .....	0.2
12	1161A8	LEVER, CONTROL .....	0.2
18	1161B7	SPRING, CABLE RETURN .....	0.1
20	8101Q1	LEVER, CONTROL WIRE .....	0.2
22	3111H3	ROD, CARBURETOR CHOKE KNOB ...	0.2
24	8101Q0	KNOB, CHOKE .....	0.2

2

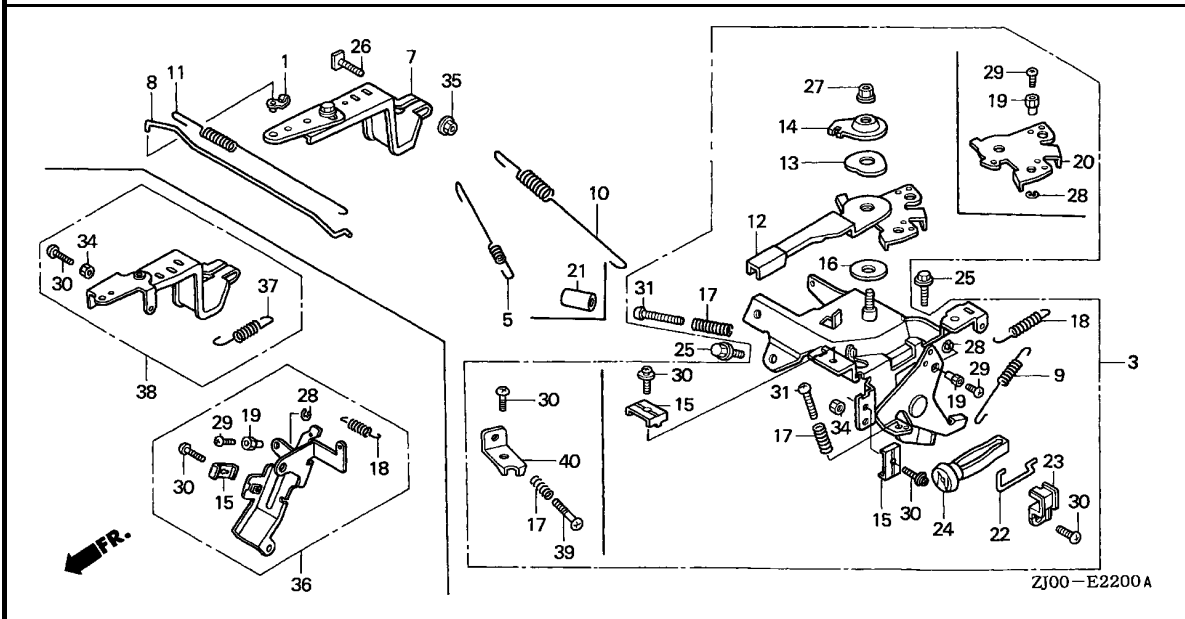
Ref. No.	Part No.	Description	Reqd. QTY				Serial No.	Parts catalogue code
			GX 610	GX 610	GX 610 K1	GX 610		
1	16263-ZE3-790	JOINT, ROD .....	1	-	-	-	PZE,QAC6,QAF,QAF2,QDA1,QDE,QDE1,QDE6,QDF,QDF2,QDF6,QDW,QXE4,QXF6,QYF,QZA,QZA1,QZA6,QZB,QZD,QZD1,QZE,QZE4,QZE6,QZF,QZF6,QZX4,TXF2,VD,VXA3,VXD,VXE,VXE1,VXE3,VXE4,VZA,VZA1,VZA4	
3	16500-ZJ1-000	CONTROL ASSY. ....	1	-	-	1	PZE,QAF2,QDA1,QDE,QDE1,QDE6,QDF,QDF6,QXE4,QXF6,QZA1,QZD,QZD1,QZE,QZE4,QZE6,QZF,QZF6,QZX4,VXE,VXEP,VXE1,VXE3,VXE4,VZA,VZA1,VZA4	
	16500-ZJ1-800	CONTROL ASSY. (REMOTE) .....	1	(1)	-	-	QAC6,QAF,QAFP,QAFU,QDF2,QYF	
	16500-ZJ1-810	.....	1	(1)	-	-	QDW,QZA,QZA6,QZB,TXF2	
	16500-ZJ1-U80	CONTROL ASSY. ....	1	-	-	-	VD,VXA3,VXD	
5	16534-ZJ1-000	SPRING, STARTER .....	1	-	-	-	PZE,QAC6,QAF,QAF2,QDA1,QDE,QDE1,QDE6,QDF,QDF2,QDF6,QDW,QXE4,QXF6,QYF,QZA,QZA1,QZA6,QZB,QZD,QZD1,QZE,QZE4,QZE6,QZF,QZF6,QZX4,TXF2,VZA1	
			1	-	-	-	1012678 VXE,VXE1,VXE4,VZA,VZA4	
			-	1	-	1		
7	16550-ZJ1-000	ARM COMP., GOVERNOR .....	1	-	-	-	PZE,QAC6,QAF,QAF2,QDA1,QDE,QDE1,QDE6,QDF,QDF2,QDF6,QDW,QXE4,QXF6,QYF,QZA,QZA1,QZA6,QZB,QZD,QZD1,QZE,QZE4,QZE6,QZF,QZF6,QZX4,TXF2,VXE,VXE1,VXE3,VXE4,VZA,VZA1,VZA4	
8	16555-ZJ1-000	ROD, GOVERNOR .....	1	-	-	-	PZE,QAC6,QAF,QAF2,QDA1,QDE,QDE1,QDE6,QDF,QDF2,QDF6,QDW,QXE4,QXF6,QYF,QZA,QZA1,QZA6,QZB,QZD,QZD1,QZE,QZE4,QZE6,QZF,QZF6,QZX4,TXF2,VD,VXA3,VXD,VXE,VXE1,VXE3,VXE4,VZA,VZA1,VZA4	
			-	1	-	1		

Ref. No.	Part No.	Description	Reqd. QTY				Serial No.	Parts catalogue code
			GX 610	GX 610	GX 610 K1	GX 610		
			(1)	(2)	(3)			
9	16561-ZG1-000	SPRING, GOVERNOR .....	1	-	-	1	PZE, QAF2, QDA1, QDE, QDE1, QDE6, QDF, QDF6, QXE4, QXF6, QZA1, QZD, QZD1, QZE, QZE4, QZE6, QZF, QZF6, QZX4, VD, VXA3, VXD, VXE, VXEP, VXE1, VXE3, VXE4, VZA, VZA1, VZA4	
10	16561-ZJ1-000	SPRING, GOVERNOR .....	1	(1)	-	-	PZE, QAC6, QAF, QAF2, QDA1, QDE, QDE1, QDE6, QDF, QDF2, QDF6, QDW, QXE4, QXF6, QYF, QZA, QZA1, QZA6, QZB, QZD, QZD1, QZE, QZE4, QZE6, QZF, QZF6, QZX4, TXF2, VD, VXD, VZA1	
			1	-	-	-	1012678 VXA3, VXE, VXE1, VXE4, VZA, VZA4	
	16561-ZJ1-890	.....	1	-	-	-	1012679 1017393 VXA3, VXE, VXE1, VXE4, VZA, VZA4	
	16561-ZJ1-891	.....	1	-	-	-	VXE3	
			1	-	-	-	1017394 VXA3, VXE, VXE1, VXE4, VZA, VZA4	
11	16562-ZJ1-000	SPRING, THROTTLE RETURN .....	1	-	-	-	PZE, QAC6, QAF, QAF2, QDA1, QDE, QDE1, QDE6, QDF, QDF2, QDF6, QDW, QXE4, QXF6, QYF, QZA, QZA1, QZA6, QZB, QZD, QZD1, QZE, QZE4, QZE6, QZF, QZF6, QZX4, TXF2, VD, VXA3, VXD, VXE, VXE1, VXE3, VXE4, VZA, VZA1, VZA4	
12	16570-ZJ1-000	LEVER COMP., CONTROL .....	1	-	-	1	PZE, QAF2, QDA1, QDE, QDE1, QDE6, QDF, QDF6, QXE4, QXF6, QZA1, QZD, QZD1, QZE, QZE4, QZE6, QZF, QZF6, VZA4	
13	16574-ZE1-000	SPRING, LEVER .....	1	(1)	-	-	PZE, QAC6, QAF, QAF2, QDA1, QDE, QDE1, QDE6, QDF, QDF2, QDF6, QDW, QXE4, QXF6, QYF, QZA, QZA1, QZA6, QZB, QZD, QZD1, QZE, QZE4, QZE6, QZF, QZF6, QZX4, TXF2, VD, VXA3, VXD, VXE, VXE1, VXE3, VXE4, VZA, VZA1, VZA4	
14	16575-ZH8-000	WASHER, CONTROL LEVER .....	1	(1)	-	1	PZE, QAC6, QAF, QAF2, QDA1, QDE, QDE1, QDE6, QDF, QDF2, QDF6, QDW, QXE4, QXF6, QYF, QZA, QZA1, QZA6, QZB, QZD, QZD1, QZE, QZE4, QZE6, QZF, QZF6, QZX4, TXF2, VD, VXA3, VXD, VXE, VXE1, VXE3, VXE4, VZA, VZA1, VZA4	
15	16576-891-000	HOLDER, CABLE .....	1	(1)	-	1	VD, VXA3, VXD	
			2	-	-	2	QAC6, QAF, QAFP, QAFU, QDF2, QDW, QYF, QZA, QZA6, QZB, TXF2	
			-	(2)	-	-		
16	16578-ZE1-000	SPACER, CONTROL LEVER .....	1	-	-	-	PZE, QAC6, QAF, QAF2, QDA1, QDE, QDE1, QDE6, QDF, QDF2, QDF6, QDW, QXE4, QXF6, QYF, QZA, QZA1, QZA6, QZB, QZD, QZD1, QZE, QZE4, QZE6, QZF, QZF6, QZX4, TXF2, VD, VXA3, VXD, VXE, VXE1, VXE3, VXE4, VZA, VZA1, VZA4	
17	16584-883-300	SPRING, CONTROL ADJUSTING ...	2	(1)	-	1	PZE, QAC6, QAF, QAF2, QDA1, QDE, QDE1, QDE6, QDF, QDF2, QDF6, QDW, QXE4, QXF6, QYF, QZA, QZA1, QZA6, QZB, QZD, QZD1, QZE, QZE4, QZE6, QZF, QZF6, QZX4, TXF2, VD, VXA3, VXD, VXE, VXE1, VXE3, VXE4, VZA, VZA1, VZA4	
18	16592-ZJ1-000	SPRING, CABLE RETURN .....	1	(2)	-	2	QAC6, QAF, QAFP, QAFU, QDF2, QDW, QYF, QZA, QZA6, QZB, TXF2, VD, VXA3, VXD	
19	16594-883-010	HOLDER, WIRE .....	2	(1)	-	-	QAC6, QAF, QAFP, QAFU, QDF2, QYF, VD, VXA3, VXD	
			-	(2)	-	-		
20	16596-ZJ1-000	LEVER, WIRE .....	1	-	-	1	QAC6, QAF, QAFP, QAFU, QDF2, QDW, QYF, QZA, QZA6, QZB, TXF2	
			-	(1)	-	-		
21	16599-ZG1-M10	COLLAR, STOPPER .....	(1)	-	-	-	QXE4, QZE4, QZX4, VXE4, VZA4	
22	16628-ZJ1-000	ROD, CHOKE KNOB .....	1	-	-	1	PZE, QAF2, QDA1, QDE, QDE1, QDE6, QDF, QDF6, QXE4, QXF6, QZA1, QZD, QZD1, QZE, QZE4, QZE6, QZF, QZF6, QZX4, VD, VXA3, VXD, VXE, VXEP, VXE1, VXE3, VXE4, VZA, VZA1, VZA4	
23	16649-ZJ1-000	HOLDER, CHOKE KNOB .....	1	(1)	-	1	PZE, QAF2, QDA1, QDE, QDE1, QDE6, QDF, QDF6, QXE4, QXF6, QZA1, QZD, QZD1, QZE, QZE4, QZE6, QZF, QZF6, QZX4, VD, VXA3, VXD, VXE, VXEP, VXE1, VXE3, VXE4, VZA, VZA1, VZA4	
			-	(1)	-	-		





Ref. No.	Part No.	Description	Reqd. QTY				Serial No.	Parts catalogue code
			GX 610	GX 610	GX 610 K1	GX 610 (3)		
24	17951-ZG1-000	KNOB, CHOKE .....	1	-	-	1	-----	PZE, QAF2, QDA1, QDE, QDE1, QDE6, QDF, QDF6, QXE4, QXF6, QZA1, QZD, QZD1, QZE, QZE4, QZE6, QZF, QZF6, QZX4, VD, VXA3, VXD, VXE, VXEP, VXE1, VXE3, VXE4, VZA, VZA1, VZA4
25	90013-883-000	BOLT, FLANGE, 6X12(CT200) ...	-	(1)	-	-	-----	PZE, QAC6, QAF, QAF2, QDA1, QDE, QDE1, QDE6, QDF, QDF2, QDF6, QDW, QXE4, QXF6, QYF, QZA, QZA1, QZA6, QZB, QZD, QZD1, QZE, QZE4, QZE6, QZF, QZF6, QZX4, TXF2, VD, VXA3, VXD, VXE, VXE1, VXE3, VXE4, VZA, VZA1, VZA4
26	90015-ZE3-790	BOLT, GOVERNOR ARM .....	1	-	-	-	-----	PZE, QAC6, QAF, QAF2, QDA1, QDE, QDE1, QDE6, QDF, QDF2, QDF6, QDW, QXE4, QXF6, QYF, QZA, QZA1, QZA6, QZB, QZD, QZD1, QZE, QZE4, QZE6, QZF, QZF6, QZX4, TXF2, VD, VXA3, VXD, VXE, VXE1, VXE3, VXE4, VZA, VZA1, VZA4
27	90114-SAO-000	NUT, SELF-LOCK, 6MM .....	1	-	-	1	-----	PZE, QAC6, QAF, QAF2, QDA1, QDE, QDE1, QDE6, QDF, QDF2, QDF6, QDW, QXE4, QXF6, QYF, QZA, QZA1, QZA6, QZB, QZD, QZD1, QZE, QZE4, QZE6, QZF, QZF6, QZX4, TXF2, VD, VXA3, VXD, VXE, VXE1, VXE3, VXE4, VZA, VZA1, VZA4
28	90605-230-000	CIRCLIP, 5MM .....	-	(1)	-	1	-----	QAC6, QAF, QAFP, QAFU, QDF2, QYF, VD, VXA3, VXD
29	93500-04006-0H	SCREW, PAN, 4X6 .....	-	(2)	-	-	-----	QAC6, QAF, QAFP, QAFU, QDF2, QYF, VD, VXA3, VXD
30	93500-05012-0H	SCREW, PAN, 5X12 .....	1	-	-	1	-----	PZE, QAF2, QDA1, QDE, QDE1, QDE6, QDF, QDF6, QXE4, QXF6, QZA1, QZD, QZD1, QZE, QZE4, QZE6, QZF, QZF6, QZX4, VXE, VXEP, VXE1, VXE3, VXE4, VZA, VZA1, VZA4
			2	-	-	-	-----	VD, VXA3, VXD
			-	(1)	-	-	-----	
	93893-05016-00	SCREW-WASHER, 5X16 .....	2	-	-	-	-----	1004461 QAF, QYF, QZA, QZB



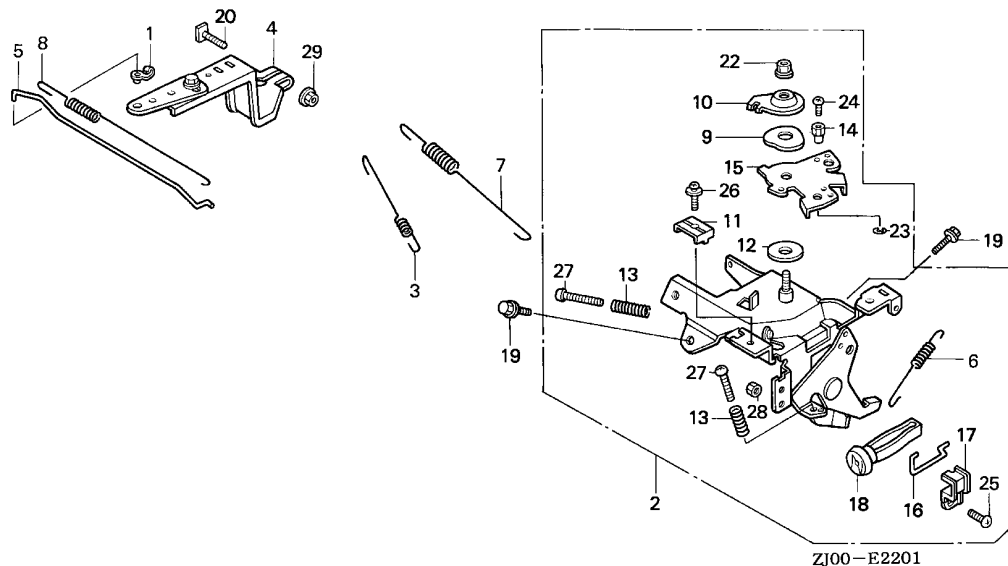
Ref. No.	Part No.	Description	Reqd. QTY			Serial No.	Parts catalogue code	
			GX 610 (1)	GX 610 (2)	GX 610 K1 (3)			
30)	93500-05016-0A	SCREW, PAN, 5X16	2	-	-	-----	QDF2,QDW,TXF2,VD,VXA3,VXD	
			2	-	-	1004462	-----	QAF,QYF,QZA,QZB
			-	(2)	-	-	-	-
31	93500-05025-0H	SCREW, PAN, 5X25	1	-	-	-----	VD,VXA3,VXD	
			2	-	-	-----	PZE,QAC6,QAF,QAF2,QDA1,QDE,QDE1,QDE6,QDF,QDF2,QDF6,QDW,QXE4,QXF6,QYF,QZA,QZA1,QZA6,QZB,QZD,QZD1,QZE,QZE4,QZE6,QZF,QZF6,QZX4,TXF2,VXE,VXE1,VXE3,VXE4,VZA,VZA1,VZA4	
34	94001-05000-0S	NUT, HEX., 5MM	1	-	-	-----	PZE,QAF2,QDA1,QDE,QDE1,QDE6,QDF,QDF6,QXE4,QXF6,QZA1,QZD,QZD1,QZE,QZE4,QZE6,QZF,QZF6,QZX4,VXE,VXEP,VXE1,VXE3,VXE4,VZA,VZA1,VZA4	
			2	-	-	-----	VD,VXA3,VXD	
			-	(1)	-	-	-	-
35	94050-06000	NUT, FLANGE, 6MM	1	-	-	-----	PZE,QAC6,QAF,QAF2,QDA1,QDE,QDE1,QDE6,QDF,QDF2,QDF6,QDW,QXE4,QXF6,QYF,QZA,QZA1,QZA6,QZB,QZD,QZD1,QZE,QZE4,QZE6,QZF,QZF6,QZX4,TXF2,VD,VXA3,VXD,VXE,VXE1,VXE3,VXE4,VZA,VZA1,VZA4	
			-	1	-	1	-	-
36	16265-ZJ1-U80	STAY ASSY., AUTO THROTTLE	1	-	-	-----	VD,VXA3,VXD	
37	16534-ZJ1-U80	SPRING, RETURN	1	-	-	-----	VD,VXA3,VXD	
38	16550-ZJ1-U80	ARM COMP., GOVERNOR	1	-	-	-----	VD,VXA3,VXD	
39	93500-05028-0A	SCREW, PAN, 5X28	1	-	-	-----	VD,VXA3,VXD	
40	16577-ZJ1-U80	STOPPER, CONTROL LEVER	1	-	-	-----	VD,VXA3,VXD	



E-22-1

CONTROL(2)

J 4



Ref. No.	L.O.N.	(Relative ref. Number) Description	F.R.T.
2	1161A5	CONTROL, THROTTLE/GOVERNOR ...	0.3
3	1161C1	SPRING, STARTER .....	0.2
4	1161A0	ARM, GOVERNOR .....	0.3
5	1161B1	ROD, GOVERNOR .....	0.3
7	1161C5	SPRING, GOVERNOR .....	0.2
8	1161C2	SPRING, THROTTLE RETURN .....	0.2
15	8101Q1	LEVER, CONTROL WIRE .....	0.2
16	8101Q2	ROD, CHOKE CONTROL .....	0.2
18	8101Q0	KNOB, CHOKE .....	0.2

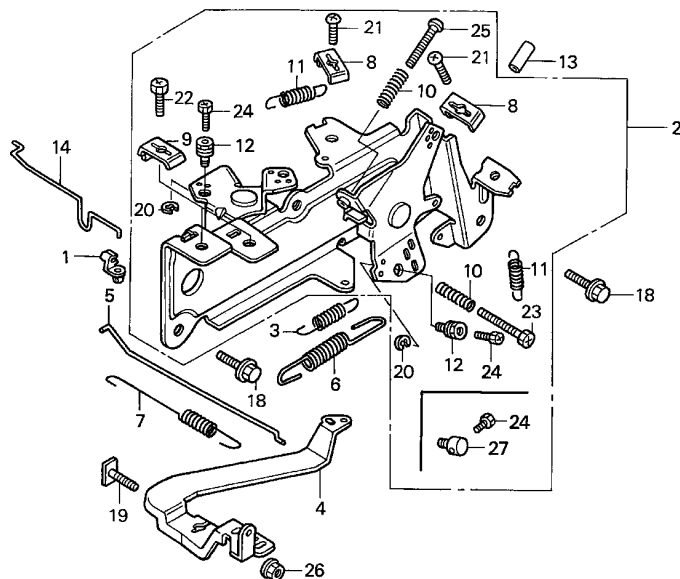
Ref. No.	Part No.	Description	Reqd. QTY				Serial No.	Parts catalogue code
			GX 610 (1)	GX 610 (2)	GX 610 K1 (3)	GX 610 (3)		
1	16263-ZE3-790	JOINT, ROD .....	1	-	-	-	QZF1	
2	16500-ZJ1-820	CONTROL ASSY. ....	1	(1)	-	-	QZF1	
3	16534-ZJ1-000	SPRING, STARTER .....	1	-	-	-	QZF1	
4	16550-ZJ1-000	ARM COMP., GOVERNOR .....	1	-	-	-	QZF1	
5	16555-ZJ1-000	ROD, GOVERNOR .....	1	-	-	-	QZF1	
6	16561-ZG1-000	SPRING, GOVERNOR .....	1	-	-	-	QZF1	
7	16561-ZJ1-000	SPRING, GOVERNOR .....	1	-	-	-	QZF1	
8	16562-ZJ1-000	SPRING, THROTTLE RETURN .....	1	-	-	-	QZF1	
9	16574-ZE1-000	SPRING, LEVER .....	1	-	-	-	QZF1	
10	16575-ZH8-000	WASHER, CONTROL LEVER .....	1	-	-	-	QZF1	
11	16576-891-000	HOLDER, CABLE .....	1	-	-	-	QZF1	
12	16578-ZE1-000	SPACER, CONTROL LEVER .....	1	-	-	-	QZF1	
13	16584-883-300	SPRING, CONTROL ADJUSTING ...	2	-	-	-	QZF1	

2

Ref. No.	Part No.	Description	Reqd. QTY				Serial No.	Parts catalogue code
			GX 610	GX 610	GX 610 K1	GX 610		
			(1)	(2)	(3)			
14	16594-883-010	HOLDER, WIRE .....	1	-	-	-----	QZF1	
			-	(1)	-	-----		
15	16596-ZJ1-000	LEVER, WIRE .....	1	-	-	-----	QZF1	
			-	(1)	-	-----		
16	16628-ZJ1-000	ROD, CHOKE KNOB .....	1	-	-	-----	QZF1	
			-	(1)	-	-----		
17	16649-ZJ1-000	HOLDER, CHOKE KNOB .....	1	-	-	-----	QZF1	
			-	(1)	-	-----		
18	17951-ZG1-000	KNOB, CHOKE .....	1	-	-	-----	QZF1	
			-	(1)	-	-----		
19	90013-883-000	BOLT, FLANGE, 6X12(CT200) ...	2	-	-	-----	QZF1	
			-	(2)	-	-----		
20	90015-ZE3-790	BOLT, GOVERNOR ARM .....	1	-	-	-----	QZF1	
			-	(1)	-	-----		
22	90114-SA0-000	NUT, SELF-LOCK, 6MM .....	1	-	-	-----	QZF1	
			-	(1)	-	-----		
23	90605-230-000	CIRCLIP, 5MM .....	1	-	-	-----	QZF1	
			-	(1)	-	-----		
24	93500-04006-0H	SCREW, PAN, 4X6 .....	1	-	-	-----	QZF1	
			-	(1)	-	-----		
25	93500-05012-0H	SCREW, PAN, 5X12 .....	1	-	-	-----	QZF1	
			-	(1)	-	-----		
26	93500-05016-0A	SCREW, PAN, 5X16 .....	1	-	-	-----	QZF1	
			-	(1)	-	-----		
27	93500-05025-0H	SCREW, PAN, 5X25 .....	2	-	-	-----	QZF1	
			-	(2)	-	-----		
28	94001-05000-0S	NUT, HEX., 5MM .....	1	-	-	-----	QZF1	
			-	(1)	-	-----		
29	94050-06000	NUT, FLANGE, 6MM .....	1	-	-	-----	QZF1	
			-	(1)	-	-----		



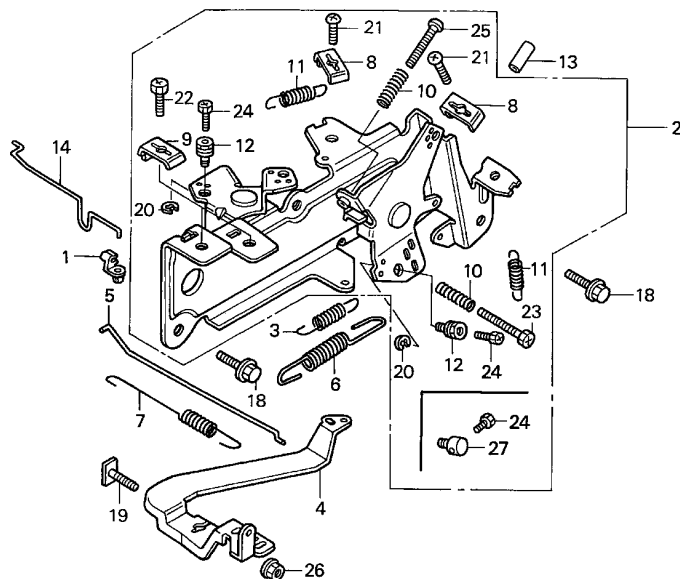
FR.



Ref. No.	L.O.N.	(Relative ref. Number) Description	F.R.T.
2	1161A5	CONTROL, THROTTLE/GOVERNOR ...	0.4
3	1161C1	SPRING, STARTER .....	0.1
4	1161A0	ARM, GOVERNOR .....	0.3
5	1161B1	ROD, GOVERNOR .....	0.3
6	1161C5	SPRING, GOVERNOR .....	0.1
7	1161C2	SPRING, THROTTLE RETURN .....	0.2
11	1161B7	SPRING, CABLE RETURN .....	0.1
14	8101R5	ROD, GOVERNOR CHOKE CONTROL ..	0.2

ZJ00-E2202B

Ref. No.	Part No.	Description	Reqd. QTY				Serial No.	Parts catalogue code
			GX 610	GX 610	GX 610 K1	GX 610 (3)		
1	16263-883-W10	JOINT, ROD .....	-	-	1	-	QAD2,QAD2/A,QAF,QAF/A,QDF2,QDF2/A,QDW,QDW/A,QDX2,QDX2/A,QWF,QWF/A,QYF,QYF/A,QZA,QZA/A,QZA6,QZA6/A,QZE3,QZE3/A,TFX2,TFX2/A	
2	16500-ZJ1-840 16500-ZJ1-861	CONTROL ASSY. ....	-	-	1	-	QDF,QDW,QDW/A,QZA,QZA/A,QZA6,QZA6/A,TFX2,TFX2/A	
3	16500-ZJ1-P00 16534-ZJ1-840	SPRING, STARTER .....	-	-	1	-	QAF,QAF/A,QDF2,QDF2/A,QDX2,QDX2/A,QWF,QWF/A,QYF,QYF/A,QZE3,QZE3/A	
4	16551-ZJ1-840	ARM, GOVERNOR .....	-	-	1	-	QAD2,QAD2/A	
5	16555-ZJ1-840	ROD, GOVERNOR .....	-	-	1	-	QAD2,QAD2/A,QAF,QAF/A,QDF,QDF2,QDF2/A,QDW,QDW/A,QDX2,QDX2/A,QWF,QWF/A,QYF,QYF/A,QZA,QZA/A,QZA6,QZA6/A,QZE3,QZE3/A,TFX2,TFX2/A	
6	16561-ZJ4-830	SPRING, GOVERNOR .....	-	-	1	-	QAD2,QAD2/A,QAF,QAF/A,QDF2,QDF2/A,QDW,QDW/A,QDX2,QDX2/A,QWF,QWF/A,QYF,QYF/A,QZA,QZA/A,QZA6,QZA6/A,QZE3,QZE3/A,TFX2,TFX2/A	
7	16562-ZJ1-840	SPRING, THROTTLE RETURN .....	-	-	1	-	QAD2,QAD2/A,QAF,QAF/A,QDF,QDF2,QDF2/A,QDW,QDW/A,QDX2,QDX2/A,QWF,QWF/A,QYF,QYF/A,QZA,QZA/A,QZA6,QZA6/A,QZE3,QZE3/A,TFX2,TFX2/A	
8	16576-891-000	HOLDER, CABLE .....	-	-	2	-	QAD2,QAD2/A,QAF,QAF/A,QDF2,QDF2/A,QDW,QDW/A,QDX2,QDX2/A,QWF,QWF/A,QYF,QYF/A,QZA,QZA/A,QZA6,QZA6/A,QZE3,QZE3/A,TFX2,TFX2/A	
9	16576-891-000	HOLDER, CABLE .....	-	-	2	-	QAD2,QAD2/A,QAF,QAF/A,QDF,QDF2,QDF2/A,QDW,QDW/A,QDX2,QDX2/A,QWF,QWF/A,QYF,QYF/A,QZA,QZA/A,QZA6,QZA6/A,QZE3,QZE3/A,TFX2,TFX2/A	
10	16584-883-300	SPRING, CONTROL ADJUSTING ...	-	-	2	-	QAD2,QAD2/A,QAF,QAF/A,QDF,QDF2,QDF2/A,QDW,QDW/A,QDX2,QDX2/A,QWF,QWF/A,QYF,QYF/A,QZA,QZA/A,QZA6,QZA6/A,QZE3,QZE3/A,TFX2,TFX2/A	
11	16592-ZJ1-000	SPRING, CABLE RETURN .....	-	-	2	-	QAD2,QAD2/A,QAF,QAF/A,QDF,QDF2,QDF2/A,QDW,QDW/A,QDX2,QDX2/A,QWF,QWF/A,QYF,QYF/A,QZA,QZA/A,QZA6,QZA6/A,QZE3,QZE3/A,TFX2,TFX2/A	



ZJ00-E2202B

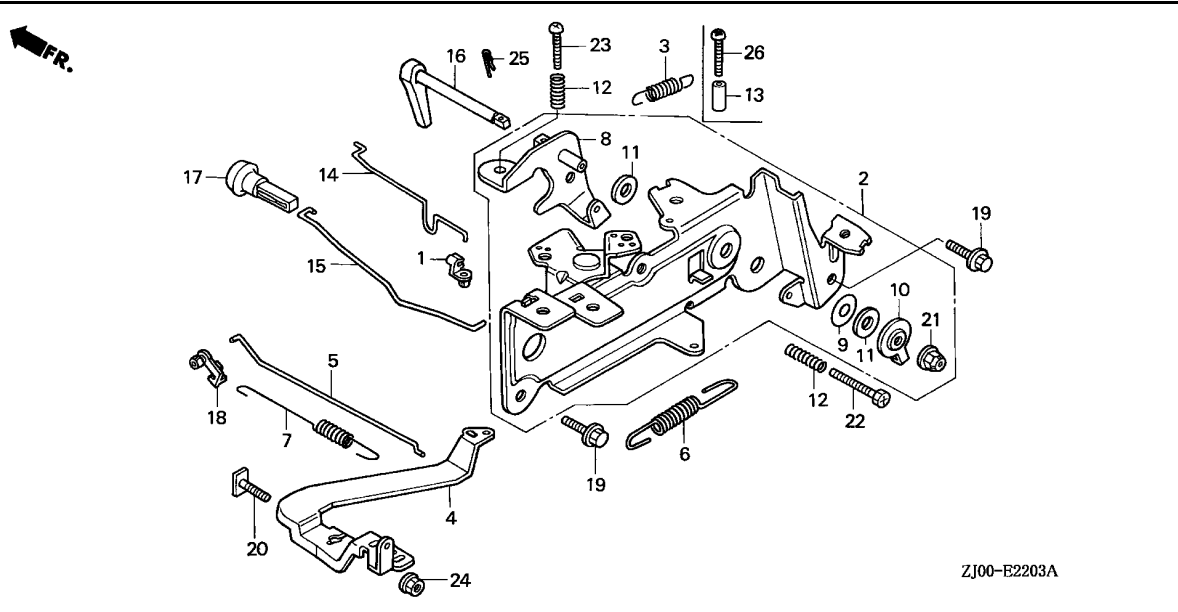
Ref. No.	Part No.	Description	Reqd. QTY				Serial No.	Parts catalogue code
			GX 610	GX 610	GX 610 K1	GX 610		
			(1)	(2)	(3)			
12	16594-883-010	HOLDER, WIRE	-	-	2	2001753	QAF,QDF2,QYF,QZE3	
			-	-	1		QAF/A,QDF2/A,QDX2,QDX2/A,QWF,QWF/A,QYF/A,QZE3/A	
13	16599-ZG1-M10	COLLAR, STOPPER	-	-	1	2001754	QAF,QDF2,QYF,QZE3	
14	16611-ZJ1-840	ROD, CHOKE CONTROL	-	-	(1)		QZE3,QZE3/A	
18	90014-952-000	BOLT, FLANGE, 6X14(CT200)	-	-	2		QAD2,QAD2/A,QAF,QAF/A,QDF2,QDF2/A,QDW,QDW/A,QDX2,QDX2/A,QWF,QWF/A,QYF,QYF/A,QZA,QZA/A,QZA6,QZA6/A,QZE3,QZE3/A,TFX2,TFX2/A	
19	90015-ZE3-790	BOLT, GOVERNOR ARM	-	-	1		QAD2,QAD2/A,QAF,QAF/A,QDF,QDF2,QDF2/A,QDW,QDW/A,QDX2,QDX2/A,QWF,QWF/A,QYF,QYF/A,QZA,QZA/A,QZA6,QZA6/A,QZE3,QZE3/A,TFX2,TFX2/A	
20	90605-230-000	CIRCLIP, 5MM	-	-	2		QAD2,QAD2/A,QAF,QAF/A,QDF,QDF2,QDF2/A,QDX2,QDX2/A,QWF,QWF/A,QYF/A,QZA,QZA6,QZE3/A	
21	92301-05016-0A	BOLT, RECESSED, 5X16	-	-	2		QAD2/A,QAF,QAF/A,QDF2,QDF2/A,QDW/A,QDX2,QDX2/A,QWF,QWF/A,QYF,QYF/A,QZA/A,QZA6/A,QZE3,QZE3/A,TFX2/A	
22	92301-05016-0A	BOLT, RECESSED, 5X16	-	-	2		QAD2,QAD2/A,QAF,QAF/A,QDF,QDF2,QDF2/A,QDW,QDW/A,QDX2/A,QWF/A,QYF/A,QZA,QZA/A,QZA6,QZA6/A,QZE3/A,TFX2,TFX2/A	
23	92301-05025-0A	BOLT, RECESSED, 5X25	-	-	1		QAD2,QAD2/A,QAF,QAF/A,QDF2,QDF2/A,QDW,QDW/A,QDX2,QDX2/A,QWF,QWF/A,QYF,QYF/A,QZA,QZA/A,QZA6,QZA6/A,QZE3,QZE3/A,TFX2,TFX2/A	
24	92301-04006-0H	BOLT, RECESSED, 4X6	-	-	2		QAD2,QAD2/A,QAF,QAF/A,QDF2,QDF2/A,QDX2,QDX2/A,QWF,QWF/A,QYF,QYF/A,QZE3,QZE3/A	
25	93500-05025-0A	SCREW, PAN, 5X25	-	-	1		QAD2,QAD2/A,QAF,QAF/A,QDF2,QDF2/A,QDW,QDW/A,QDX2,QDX2/A,QWF,QWF/A,QYF,QYF/A,QZA,QZA/A,QZA6,QZA6/A,QZE3,QZE3/A,TFX2,TFX2/A	
26	94050-06000	NUT, FLANGE, 6MM	-	-	1		QAD2,QAD2/A,QAF,QAF/A,QDF,QDF2,QDF2/A,QDW,QDW/A,QDX2,QDX2/A,QWF,QWF/A,QYF,QYF/A,QZA,QZA/A,QZA6,QZA6/A,QZE3,QZE3/A,TFX2,TFX2/A	
27	16617-ZJ1-840	HOLDER, CABLE	-	-	1	2001754	QAD2,QAD2/A,QAF,QAF/A,QDF2/A,QDX2,QDX2/A,QWF,QWF/A,QYF/A,QZE3/A	
			-	-	1		QAF,QDF2,QYF,QZE3	



E-22-3

CONTROL(4)

J 8



Ref. No.	L.O.N.	(Relative ref. Number) Description	F.R.T.
2	1161A5	CONTROL, THROTTLE/GOVERNOR ...	0.4
3	1161C1	SPRING, STARTER .....	0.1
4	1161A0	ARM, GOVERNOR .....	0.3
5	1161B1	ROD, GOVERNOR .....	0.3
6	1161C5	SPRING, GOVERNOR .....	0.1
7	1161C2	SPRING, THROTTLE RETURN .....	0.2
8	8101Q3	ARM, CONTROL .....	0.3
14	8101R5	ROD, GOVERNOR CHOKE CONTROL ..	0.2
15	8101Q2	ROD, CHOKE CONTROL .....	0.2
16	8101H1	LEVER, THROTTLE .....	0.2
17	8101Q0	KNOB, CHOKE .....	0.2

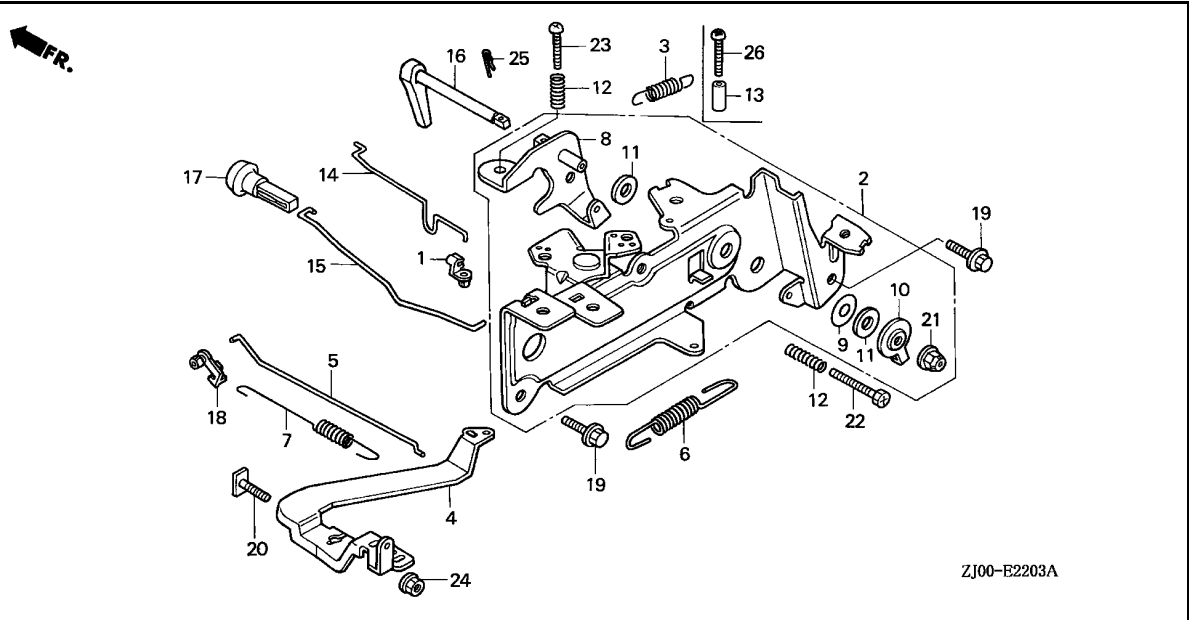
ZJ00-E2203A

Ref. No.	Part No.	Description	Reqd. QTY				Serial No.	Parts catalogue code
			GX 610 (1)	GX 610 (2)	GX 610 K1 (3)	GX 610 (3)		
1	16263-883-W10	JOINT, ROD .....	-	-	1	-	PZE,PZE/A,QAF2,QAF2/A,QDE,QDE/A,QDF,QDF/A,QDF6,QDF6/A,QZB QZB/A,QZB2,QZB2/A,QZE,QZE/A,QZE4,QZE4/A,QZE6,QZE6/A,QZF,QZF/A QZF1,QZF1/A,QZF8,QZF8/A,QZX5,QZX5/A,VEP4,VEP4/A,VXE,VXE/A,VXE1 VXE1/A,VXE3,VXE3/A,VXE4,VXE4/A,VZA,VZA/A,VZA1,VZA1/A,VZE1 VZE1/A	
2	16500-ZJ1-850	CONTROL ASSY. ....	-	-	1	-	PZE,PZE/A,QAF2,QAF2/A,QDE,QDE/A,QDF,QDF/A,QDF6,QDF6/A,QZB QZB/A,QZB2,QZB2/A,QZE,QZE/A,QZE4,QZE4/A,QZE6,QZE6/A,QZF,QZF/A QZF1,QZF1/A,QZF8,QZF8/A,QZX5,QZX5/A,VEP4,VEP4/A,VXE,VXE/A,VXE1 VXE1/A,VXE3,VXE3/A,VXE4,VXE4/A,VZA,VZA/A,VZA1,VZA1/A,VZE1 VZE1/A	
3	16534-ZJ1-840	SPRING, STARTER .....	-	-	1	-	PZE,PZE/A,QAF2,QAF2/A,QDE,QDE/A,QDF,QDF/A,QDF6,QDF6/A,QZB QZB/A,QZB2,QZB2/A,QZE,QZE/A,QZE4,QZE4/A,QZE6,QZE6/A,QZF,QZF/A QZF1,QZF1/A,QZF8,QZF8/A,QZX5,QZX5/A,VEP4,VEP4/A,VXE,VXE/A,VXE1 VXE1/A,VXE3,VXE3/A,VXE4,VXE4/A,VZA,VZA/A,VZA1,VZA1/A,VZE1 VZE1/A	
4	16551-ZJ1-840	ARM, GOVERNOR .....	-	-	1	-	PZE,PZE/A,QAF2,QAF2/A,QDE,QDE/A,QDF,QDF/A,QDF6,QDF6/A,QZB QZB/A,QZB2,QZB2/A,QZE,QZE/A,QZE4,QZE4/A,QZE6,QZE6/A,QZF,QZF/A QZF1,QZF1/A,QZF8,QZF8/A,QZX5,QZX5/A,VEP4,VEP4/A,VXE,VXE/A,VXE1 VXE1/A,VXE3,VXE3/A,VXE4,VXE4/A,VZA,VZA/A,VZA1,VZA1/A,VZE1 VZE1/A	
5	16555-ZJ1-840	ROD, GOVERNOR .....	-	-	1	-	PZE,PZE/A,QAF2,QAF2/A,QDE,QDE/A,QDF,QDF/A,QDF6,QDF6/A,QZB QZB/A,QZB2,QZB2/A,QZE,QZE/A,QZE4,QZE4/A,QZE6,QZE6/A,QZF,QZF/A QZF1,QZF1/A,QZF8,QZF8/A,QZX5,QZX5/A,VEP4,VEP4/A,VXE,VXE/A,VXE1 VXE1/A,VXE3,VXE3/A,VXE4,VXE4/A,VZA,VZA/A,VZA1,VZA1/A,VZE1 VZE1/A	

2

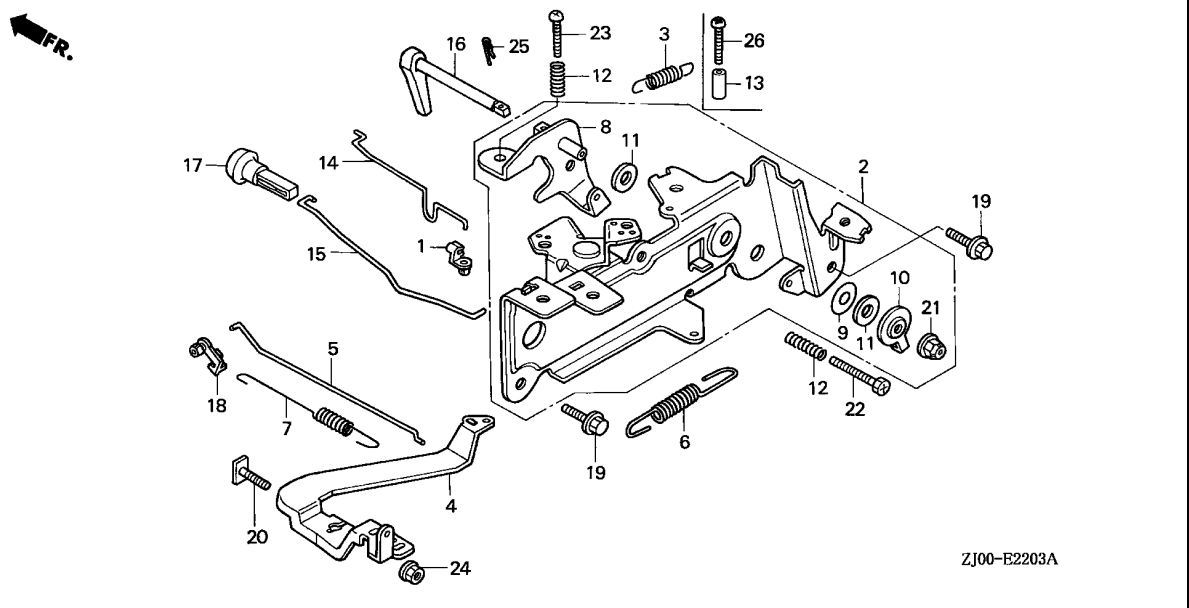
Ref. No.	Part No.	Description	Reqd. QTY				Serial No.	Parts catalogue code
			GX 610	GX 610	GX 610 K1	GX 610		
			(1)	(2)	(3)			
6	16561-ZJ1-850	SPRING, GOVERNOR (MANUAL) ...	-	-	1	-	PZE,PZE/A,QAF2,QAF2/A,QDE,QDE/A,QDF,QDF/A,QDF6,QDF6/A,QZB QZB/A,QZB2,QZB2/A,QZE,QZE/A,QZE4,QZE4/A,QZE6,QZE6/A,QZF,QZF/A QZF1,QZF1/A,QZF8,QZF8/A,QZX5,QZX5/A,VXE,VXE/A,VZA,VZA/A,VZE1 VZE1/A	
	16561-ZJ1-860	.....	-	-	1	2001753	VXE4	
			-	-	1	2001754	VEP4,VEP4/A,VXE1,VXE1/A,VXE3,VXE3/A,VXE4/A,VZA1,VZA1/A VXE4	
7	16562-ZJ1-840	SPRING, THROTTLE RETURN .....	-	-	1	-	PZE,PZE/A,QAF2,QAF2/A,QDE,QDE/A,QDF,QDF/A,QDF6,QDF6/A,QZB QZB/A,QZB2,QZB2/A,QZE,QZE/A,QZE4,QZE4/A,QZE6,QZE6/A,QZF,QZF/A QZF1,QZF1/A,QZF8,QZF8/A,QZX5,QZX5/A,VEP4,VEP4/A,VXE,VXE/A,VXE1 VXE1/A,VXE3,VXE3/A,VXE4,VXE4/A,VZA,VZA/A,VZA1,VZA1/A,VZE1 VZE1/A	
8	16570-ZJ1-850	ARM COMP., CONTROL .....	-	-	1	-	PZE,PZE/A,QAF2,QAF2/A,QDE,QDE/A,QDF,QDF/A,QDF6,QDF6/A,QZB QZB/A,QZB2,QZB2/A,QZE,QZE/A,QZE4,QZE4/A,QZE6,QZE6/A,QZF,QZF/A QZF1,QZF1/A,QZF8,QZF8/A,QZX5,QZX5/A,VEP4,VEP4/A,VXE,VXE/A,VXE1 VXE1/A,VXE3,VXE3/A,VXE4,VXE4/A,VZA,VZA/A,VZA1,VZA1/A,VZE1 VZE1/A	
	16570-ZJ1-851	.....	-	-	1	-	PZE,QAF2,QDE,QDF,QDF6,QZB,QZB2,QZE,QZE4,QZE6,QZF,QZF1,QZF8 QZX5,VEP4,VXE,VXE1,VXE3,VXE4,VZA,VZA1,VZE1	
9	16574-883-300	SPRING, LEVER .....	-	-	1	-	PZE,PZE/A,QAF2,QAF2/A,QDE,QDE/A,QDF,QDF/A,QDF6,QDF6/A,QZB QZB/A,QZB2,QZB2/A,QZE,QZE/A,QZE4,QZE4/A,QZE6,QZE6/A,QZF,QZF/A QZF1,QZF1/A,QZF8,QZF8/A,QZX5,QZX5/A,VEP4,VEP4/A,VXE,VXE/A,VXE1 VXE1/A,VXE3,VXE3/A,VXE4,VXE4/A,VZA,VZA/A,VZA1,VZA1/A,VZE1 VZE1/A	
10	16575-ZJ1-850	WASHER, CONTROL ARM .....	-	-	1	-	PZE,PZE/A,QAF2,QAF2/A,QDE,QDE/A,QDF,QDF/A,QDF6,QDF6/A,QZB QZB/A,QZB2,QZB2/A,QZE,QZE/A,QZE4,QZE4/A,QZE6,QZE6/A,QZF,QZF/A QZF1,QZF1/A,QZF8,QZF8/A,QZX5,QZX5/A,VEP4,VEP4/A,VXE,VXE/A,VXE1 VXE1/A,VXE3,VXE3/A,VXE4,VXE4/A,VZA,VZA/A,VZA1,VZA1/A,VZE1 VZE1/A	
11	16576-883-300	SPACER, CONTROL LEVER .....	-	-	2	-	PZE,PZE/A,QAF2,QAF2/A,QDE,QDE/A,QDF,QDF/A,QDF6,QDF6/A,QZB QZB/A,QZB2,QZB2/A,QZE,QZE/A,QZE4,QZE4/A,QZE6,QZE6/A,QZF,QZF/A QZF1,QZF1/A,QZF8,QZF8/A,QZX5,QZX5/A,VEP4,VEP4/A,VXE,VXE/A,VXE1 VXE1/A,VXE3,VXE3/A,VXE4,VXE4/A,VZA,VZA/A,VZA1,VZA1/A,VZE1 VZE1/A	
12	16584-883-300	SPRING, CONTROL ADJUSTING ...	-	-	2	-	PZE,PZE/A,QAF2,QAF2/A,QDE,QDE/A,QDF,QDF/A,QDF6,QDF6/A,QZB QZB/A,QZB2,QZB2/A,QZE,QZE/A,QZE4,QZE4/A,QZE6,QZE6/A,QZF,QZF/A QZF1,QZF1/A,QZF8,QZF8/A,QZX5,QZX5/A,VEP4,VEP4/A,VXE,VXE/A,VXE1 VXE1/A,VXE3,VXE3/A,VXE4,VXE4/A,VZA,VZA/A,VZA1,VZA1/A,VZE1 VZE1/A	
13	16599-ZG1-M10	COLLAR, STOPPER .....	-	-	(1)	-	QZE4,QZE4/A,QZX5,QZX5/A,VEP4,VEP4/A,VXE4,VXE4/A	
14	16611-ZJ1-840	ROD, CHOKE CONTROL .....	-	-	1	-	PZE,PZE/A,QAF2,QAF2/A,QDE,QDE/A,QDF,QDF/A,QDF6,QDF6/A,QZB QZB/A,QZB2,QZB2/A,QZE,QZE/A,QZE4,QZE4/A,QZE6,QZE6/A,QZF,QZF/A QZF1,QZF1/A,QZF8,QZF8/A,QZX5,QZX5/A,VEP4,VEP4/A,VXE,VXE/A,VXE1 VXE1/A,VXE3,VXE3/A,VXE4,VXE4/A,VZA,VZA/A,VZA1,VZA1/A,VZE1 VZE1/A	
15	16628-ZJ1-850	ROD, CHOKE KNOB .....	-	-	1	-	PZE,PZE/A,QAF2,QAF2/A,QDE,QDE/A,QDF,QDF/A,QDF6,QDF6/A,QZB QZB/A,QZB2,QZB2/A,QZE,QZE/A,QZE4,QZE4/A,QZE6,QZE6/A,QZF,QZF/A QZF1,QZF1/A,QZF8,QZF8/A,QZX5,QZX5/A,VEP4,VEP4/A,VXE,VXE/A,VXE1 VXE1/A,VXE3,VXE3/A,VXE4,VXE4/A,VZA,VZA/A,VZA1,VZA1/A,VZE1 VZE1/A	
16	17850-ZJ1-850	LEVER ASSY., THROTTLE .....	-	-	1	-	PZE,PZE/A,QAF2,QAF2/A,QDE,QDE/A,QDF,QDF/A,QDF6,QDF6/A,QZB QZB/A,QZB2,QZB2/A,QZE,QZE/A,QZE4,QZE4/A,QZE6,QZE6/A,QZF,QZF/A QZF1,QZF1/A,QZF8,QZF8/A,QZX5,QZX5/A,VEP4,VEP4/A,VXE,VXE/A,VXE1 VXE1/A,VXE3,VXE3/A,VXE4,VXE4/A,VZA,VZA/A,VZA1,VZA1/A,VZE1 VZE1/A	





ZJ00-E2203A

Ref. No.	Part No.	Description	Reqd. QTY				Serial No.	Parts catalogue code
			GX 610 (1)	GX 610 (2)	GX 610 K1 (3)	GX 610 (3)		
17	17951-921-030	KNOB, CHOKE	-	-	1	-	PZE,PZE/A,QAF2,QAF2/A,QDE,QDE/A,QDF,QDF/A,QDF6,QDF6/A,QZB,QZB/A,QZB2,QZB2/A,QZE,QZE/A,QZE4,QZE4/A,QZE6,QZE6/A,QZF,QZF/A,QZF1,QZF1/A,QZF8,QZF8/A,QZX5,QZX5/A,VEP4,VEP4/A,VXE,VXE/A,VXE1,VXE1/A,VXE3,VXE3/A,VXE4,VXE4/A,VZA,VZA/A,VZA1,VZA1/A,VZE1,VZE1/A	
18	17957-ZV4-000	BUSH, LINKAGE	-	-	1	-	PZE,PZE/A,QAF2,QAF2/A,QDE,QDE/A,QDF,QDF/A,QDF6,QDF6/A,QZB,QZB/A,QZB2,QZB2/A,QZE,QZE/A,QZE4,QZE4/A,QZE6,QZE6/A,QZF,QZF/A,QZF1,QZF1/A,QZF8,QZF8/A,QZX5,QZX5/A,VEP4,VEP4/A,VXE,VXE/A,VXE1,VXE1/A,VXE3,VXE3/A,VXE4,VXE4/A,VZA,VZA/A,VZA1,VZA1/A,VZE1,VZE1/A	
19	90014-952-000	BOLT, FLANGE, 6X14(CT200)	-	-	2	-	PZE,PZE/A,QAF2,QAF2/A,QDE,QDE/A,QDF,QDF/A,QDF6,QDF6/A,QZB,QZB/A,QZB2,QZB2/A,QZE,QZE/A,QZE4,QZE4/A,QZE6,QZE6/A,QZF,QZF/A,QZF1,QZF1/A,QZF8,QZF8/A,QZX5,QZX5/A,VEP4,VEP4/A,VXE,VXE/A,VXE1,VXE1/A,VXE3,VXE3/A,VXE4,VXE4/A,VZA,VZA/A,VZA1,VZA1/A,VZE1,VZE1/A	
20	90015-ZE3-790	BOLT, GOVERNOR ARM	-	-	1	-	PZE,PZE/A,QAF2,QAF2/A,QDE,QDE/A,QDF,QDF/A,QDF6,QDF6/A,QZB,QZB/A,QZB2,QZB2/A,QZE,QZE/A,QZE4,QZE4/A,QZE6,QZE6/A,QZF,QZF/A,QZF1,QZF1/A,QZF8,QZF8/A,QZX5,QZX5/A,VEP4,VEP4/A,VXE,VXE/A,VXE1,VXE1/A,VXE3,VXE3/A,VXE4,VXE4/A,VZA,VZA/A,VZA1,VZA1/A,VZE1,VZE1/A	
21	90114-SAO-000	NUT, SELF-LOCK, 6MM	-	-	1	-	PZE,PZE/A,QAF2,QAF2/A,QDE,QDE/A,QDF,QDF/A,QDF6,QDF6/A,QZB,QZB/A,QZB2,QZB2/A,QZE,QZE/A,QZE4,QZE4/A,QZE6,QZE6/A,QZF,QZF/A,QZF1,QZF1/A,QZF8,QZF8/A,QZX5,QZX5/A,VEP4,VEP4/A,VXE,VXE/A,VXE1,VXE1/A,VXE3,VXE3/A,VXE4,VXE4/A,VZA,VZA/A,VZA1,VZA1/A,VZE1,VZE1/A	

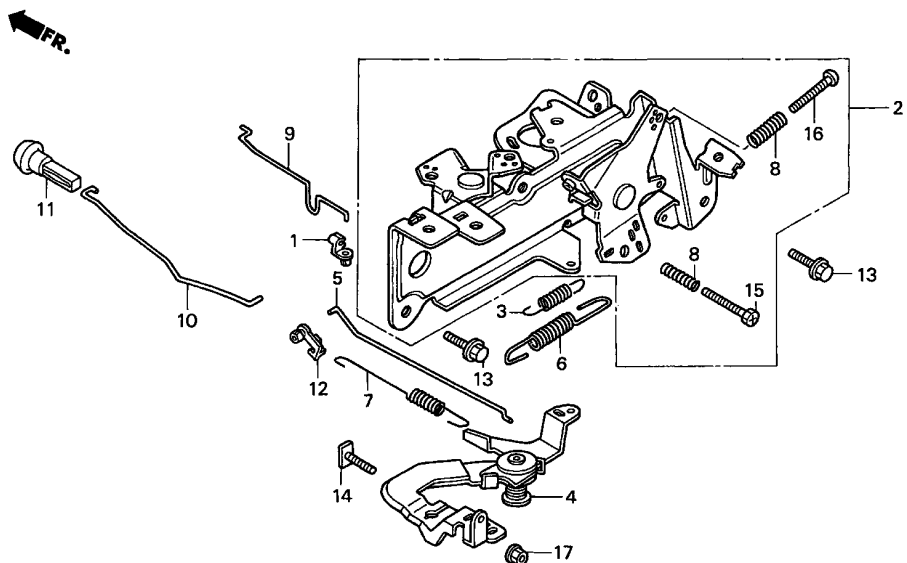


ZJ00-E2203A



Ref. No.	Part No.	Description	Reqd. QTY				Serial No.	Parts catalogue code
			GX 610 (1)	GX 610 (2)	GX 610 K1 (3)	GX 610 (3)		
22	92301-05025-0A	BOLT, RECESSED, 5X25	-	-	1	-	PZE,PZE/A,QAF2,QAF2/A,QDE,QDE/A,QDF,QDF/A,QDF6,QDF6/A,QZB,QZB/A,QZB2,QZB2/A,QZE,QZE/A,QZE4,QZE4/A,QZE6,QZE6/A,QZF,QZF/A,QZF1,QZF1/A,QZF8,QZF8/A,QZX5,QZX5/A,VEP4,VEP4/A,VXE,VXE/A,VXE1,VXE1/A,VXE3,VXE3/A,VXE4,VXE4/A,VZA,VZA/A,VZA1,VZA1/A,VZE1,VZE1/A	
23	93500-05025-0A	SCREW, PAN, 5X25	-	-	1	-	PZE,PZE/A,QAF2,QAF2/A,QDE,QDE/A,QDF,QDF/A,QDF6,QDF6/A,QZB,QZB/A,QZB2,QZB2/A,QZE,QZE/A,QZE4,QZE4/A,QZE6,QZE6/A,QZF,QZF/A,QZF1,QZF1/A,QZF8,QZF8/A,QZX5,QZX5/A,VEP4,VEP4/A,VXE,VXE/A,VXE1,VXE1/A,VXE3,VXE3/A,VXE4,VXE4/A,VZA,VZA/A,VZA1,VZA1/A,VZE1,VZE1/A	
24	94050-06000	NUT, FLANGE, 6MM	-	-	1	-	PZE,PZE/A,QAF2,QAF2/A,QDE,QDE/A,QDF,QDF/A,QDF6,QDF6/A,QZB,QZB/A,QZB2,QZB2/A,QZE,QZE/A,QZE4,QZE4/A,QZE6,QZE6/A,QZF,QZF/A,QZF1,QZF1/A,QZF8,QZF8/A,QZX5,QZX5/A,VEP4,VEP4/A,VXE,VXE/A,VXE1,VXE1/A,VXE3,VXE3/A,VXE4,VXE4/A,VZA,VZA/A,VZA1,VZA1/A,VZE1,VZE1/A	
25	94251-10000	PIN, LOCK, 10MM	-	-	1	-	PZE,PZE/A,QAF2,QAF2/A,QDE,QDE/A,QDF,QDF/A,QDF6,QDF6/A,QZB,QZB/A,QZB2,QZB2/A,QZE,QZE/A,QZE4,QZE4/A,QZE6,QZE6/A,QZF,QZF/A,QZF1,QZF1/A,QZF8,QZF8/A,QZX5,QZX5/A,VEP4,VEP4/A,VXE,VXE/A,VXE1,VXE1/A,VXE3,VXE3/A,VXE4,VXE4/A,VZA,VZA/A,VZA1,VZA1/A,VZE1,VZE1/A	
26	90016-ZG9-N30	SCREW, RECESSED, 5X25	-	-	(1)	-	QZE4/A,QZX5,QZX5/A,VEP4,VEP4/A,VXE4/A	



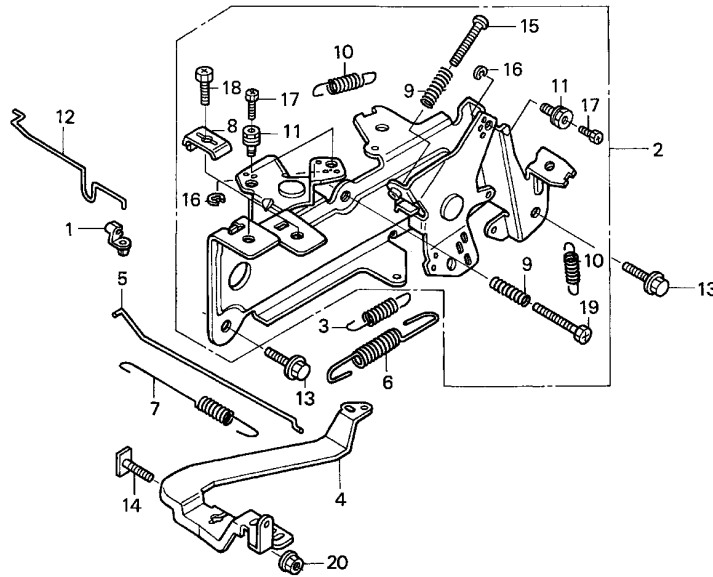


Z100-E2204

Ref. No.	L.O.N.	(Relative ref. Number) Description	F.R.T.
2	1161A5	CONTROL, THROTTLE/GOVERNOR ...	0.4
3	1161C1	SPRING, STARTER .....	0.1
4	1161A0	ARM, GOVERNOR .....	0.3
5	1161B1	ROD, GOVERNOR .....	0.3
6	1161C5	SPRING, GOVERNOR .....	0.1
7	1161C2	SPRING, THROTTLE RETURN .....	0.2
9	8101R5	ROD, GOVERNOR CHOKE CONTROL ..	0.2
10	8101Q2	ROD, CHOKE CONTROL .....	0.2
11	8101Q0	KNOB, CHOKE .....	0.2

2

Ref. No.	Part No.	Description	Reqd. QTY				Serial No.	Parts catalogue code
			GX 610	GX 610	GX 610 K1	GX 610 (3)		
1	16263-883-W10	JOINT, ROD .....	-	-	1	-	VD,VD/A,VXD,VXD/A,VZA2,VZA2/A	
2	16500-ZJ1-890	CONTROL ASSY. (AUTO THROTTLE) .....	-	-	1	-	VD,VD/A,VXD,VXD/A,VZA2,VZA2/A	
3	16534-ZJ1-840	SPRING, STARTER .....	-	-	1	-	VD,VD/A,VXD,VXD/A,VZA2,VZA2/A	
4	16550-ZJ1-841	ARM COMP., GOVERNOR .....	-	-	1	2020000	VD,VXD,VZA2	
	16550-ZJ1-842	.....	-	-	1	-	VD/A,VXD/A,VZA2/A	
5	16555-ZJ1-840	ROD, GOVERNOR .....	-	-	1	2020001	VD,VXD,VZA2	
		.....	-	-	1	-	VD,VD/A,VXD,VXD/A,VZA2,VZA2/A	
6	16561-ZJ1-850	SPRING, GOVERNOR (MANUAL) ...	-	-	1	-	VD,VD/A,VXD,VXD/A,VZA2,VZA2/A	
7	16562-ZJ1-840	SPRING, THROTTLE RETURN .....	-	-	1	-	VD,VD/A,VXD,VXD/A,VZA2,VZA2/A	
8	16584-883-300	SPRING, CONTROL ADJUSTING ...	-	-	2	-	VD,VD/A,VXD,VXD/A,VZA2,VZA2/A	
9	16611-ZJ1-840	ROD, CHOKE CONTROL .....	-	-	1	-	VD,VD/A,VXD,VXD/A,VZA2,VZA2/A	
10	16628-ZJ1-850	ROD, CHOKE KNOB .....	-	-	1	-	VD,VD/A,VXD,VXD/A,VZA2,VZA2/A	
11	17951-921-030	KNOB, CHOKE .....	-	-	1	-	VD,VD/A,VXD,VXD/A,VZA2,VZA2/A	
12	17957-ZV4-000	BUSH, LINKAGE .....	-	-	1	-	VD,VD/A,VXD,VXD/A,VZA2,VZA2/A	
13	90014-952-000	BOLT, FLANGE, 6X14(CT200) ...	-	-	2	-	VD,VD/A,VXD,VXD/A,VZA2,VZA2/A	
14	90015-ZE3-790	BOLT, GOVERNOR ARM .....	-	-	1	-	VD,VD/A,VXD,VXD/A,VZA2,VZA2/A	
15	92301-05025-0A	BOLT, RECESSED, 5X25 .....	-	-	1	-	VD,VD/A,VXD,VXD/A,VZA2,VZA2/A	
16	93500-05035-0A	SCREW, PAN, 5X35 .....	-	-	1	-	VD,VD/A,VXD,VXD/A,VZA2,VZA2/A	
17	94050-06000	NUT, FLANGE, 6MM .....	-	-	1	-	VD,VD/A,VXD,VXD/A,VZA2,VZA2/A	



ZJ00-E2205A

Ref. No.	L.O.N.	(Relative ref. Number) Description	F.R.T.
2	1161A5	CONTROL, THROTTLE/GOVERNOR ...	0.4
3	1161C1	SPRING, STARTER .....	0.1
4	1161A0	ARM, GOVERNOR .....	0.3
5	1161B1	ROD, GOVERNOR .....	0.3
6	1161C5	SPRING, GOVERNOR .....	0.1
7	1161C2	SPRING, THROTTLE RETURN .....	0.2
10	1161B7	SPRING, CABLE RETURN .....	0.1
12	8101R5	ROD, GOVERNOR CHOKE CONTROL ..	0.2

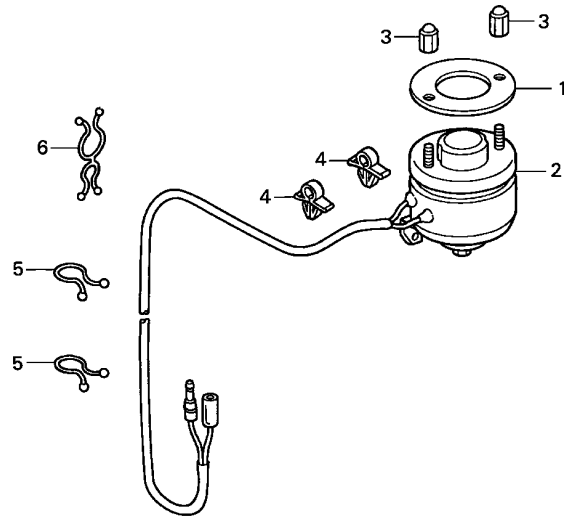
Ref. No.	Part No.	Description	Reqd. QTY				Serial No.	Parts catalogue code
			GX 610	GX 610	GX 610 K1	GX 610		
			(1)	(2)	(3)			
1	16263-883-W10	JOINT, ROD .....	-	-	1	-----	SWD,SWD/A	
2	16500-ZJ0-S00	CONTROL ASSY. ....	-	-	1	-----	SWD,SWD/A	
3	16534-ZJ1-840	SPRING, STARTER .....	-	-	1	-----	SWD,SWD/A	
4	16551-ZJ1-840	ARM, GOVERNOR .....	-	-	1	-----	SWD,SWD/A	
5	16555-ZJ1-840	ROD, GOVERNOR .....	-	-	1	-----	SWD,SWD/A	
6	16561-ZJ4-830	SPRING, GOVERNOR .....	-	-	1	-----	SWD,SWD/A	
7	16562-ZJ1-840	SPRING, THROTTLE RETURN .....	-	-	1	-----	SWD,SWD/A	
8	16576-891-000	HOLDER, CABLE .....	-	-	2	-----	SWD,SWD/A	
9	16584-883-300	SPRING, CONTROL ADJUSTING .....	-	-	2	-----	SWD,SWD/A	
10	16592-ZJ1-000	SPRING, CABLE RETURN .....	-	-	2	-----	SWD,SWD/A	
11	16594-883-010	HOLDER, WIRE .....	-	-	2	-----	SWD,SWD/A	
12	16611-ZJ1-840	ROD, CHOKE CONTROL .....	-	-	1	-----	SWD,SWD/A	
13	90014-952-000	BOLT, FLANGE, 6X14(CT200) .....	-	-	2	-----	SWD,SWD/A	
14	90015-ZE3-790	BOLT, GOVERNOR ARM .....	-	-	1	-----	SWD,SWD/A	
15	90121-735-700	SCREW, LOCK PAN (5X35) .....	-	-	1	-----	SWD,SWD/A	
16	90605-230-000	CIRCLIP, 5MM .....	-	-	2	-----	SWD,SWD/A	
17	92301-04006-OH	BOLT, RECESSED, 4X6 .....	-	-	2	-----	SWD,SWD/A	
18	92301-05016-OA	BOLT, RECESSED, 5X16 .....	-	-	2	-----	SWD,SWD/A	
19	92301-05025-OA	BOLT, RECESSED, 5X25 .....	-	-	1	-----	SWD,SWD/A	
20	94050-06000	NUT, FLANGE, 6MM .....	-	-	1	-----	SWD,SWD/A	



E-22-20

AUTO THROTTLE

J14

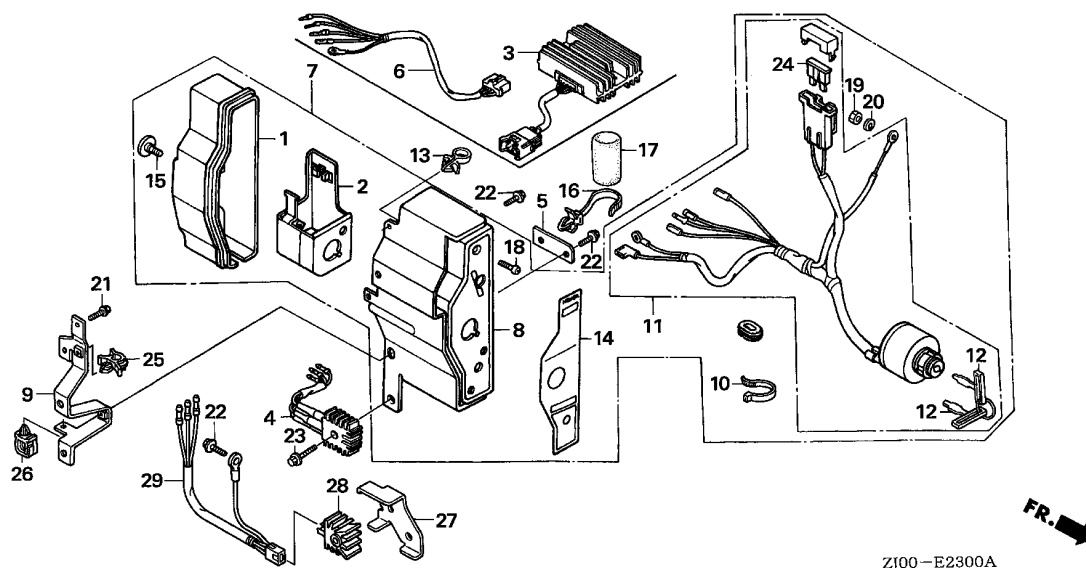


ZJ00-E2220

Ref. No.	L.O.N. (Relative ref. Number)	Description	F.R.T.
2	6151A6	SOLENOID, ROTARY .....	0.3

2

Ref. No.	Part No.	Description	Reqd. QTY				Serial No.	Parts catalogue code
			GX 610	GX 610	GX 610 K1	GX 610 (3)		
1	36337-ZJ1-840	PLATE, SOLENOID .....	-	-	1	-	VD,VD/A,VXD,VXD/A,VZA2,VZA2/A	
2	36350-ZJ1-841	SOLENOID ASSY., ROTARY .....	-	-	1	-	VD,VD/A,VXD,VXD/A,VZA2,VZA2/A	
3	90202-ZJ1-840	NUT, SPECIAL CAP .....	-	-	2	-	VD,VD/A,VXD,VXD/A,VZA2,VZA2/A	
4	90654-SA4-003	CLIP, WIRE HARNESS, 6MM(WHITE)	-	-	2	-	VD,VD/A,VXD,VXD/A,VZA2,VZA2/A	
5	90686-459-711	PURSE, LOCK, 8MM .....	-	-	2	-	VD,VD/A,VXD,VXD/A	
6	91402-ZJ1-841	CLIP, PURSE LOCK .....	-	-	1	-	VD,VD/A,VXD,VXD/A,VZA2,VZA2/A	



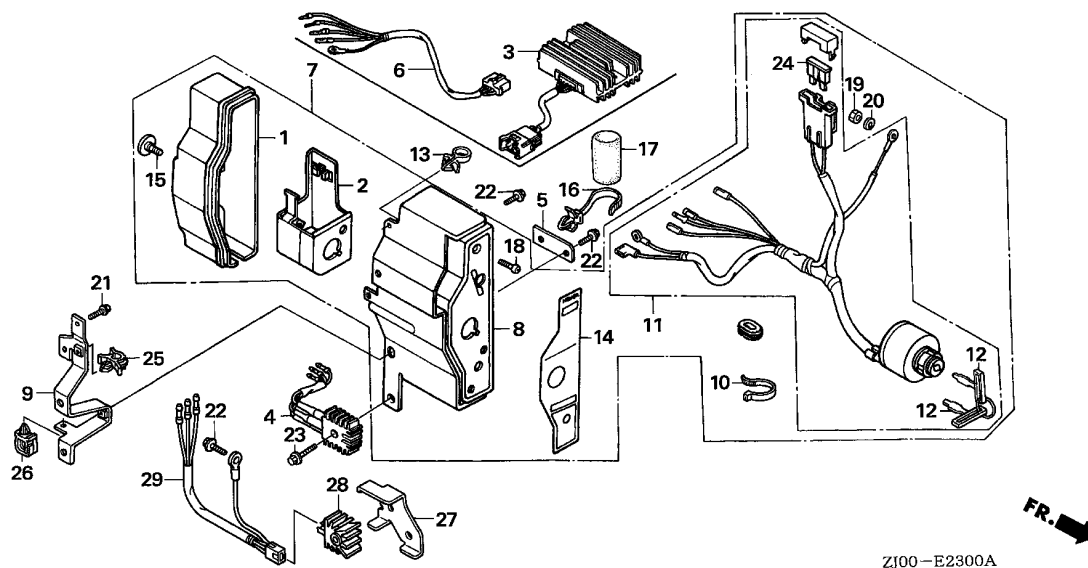
ZJ00-E2300A



Ref. No.	L.O.N.	(Relative ref. Number) Description	F.R.T.
1	6221A4	CASE, ENGINE CONTROL .....	0.1
2	6221H0	BRACKET, CASE MOUNTING .....	0.4
3		(4,28)	
3	6131B7	RECTIFIER, REGULATOR .....	0.2
6		(29)	
6	6111E6	HARNESS, REGULATOR RECTIFIER -	0.2
7	6221N7	BOX, ENGINE CONTROL .....	0.2
8	6151K5	PANEL, ENGINE CONTROL .....	0.4
11	6151E1	SWITCH, COMBINATION .....	0.3
14	6221G9	MARK, CONTROL BOX .....	0.1
24	8121A7	FUSE, BLADE .....	0.1

Ref. No.	Part No.	Description	Reqd. QTY				Serial No.	Parts catalogue code
			GX 610	GX 610	GX 610	GX 610		
1	31612-ZE2-003	CASE, CONTROL .....	1	-	1	1	-----	PZE,PZE/A,QDA1,QDE1,QXF6,QZA,QZA/A,QZA1,QZA6,QZA6/A,QZB/A,QZB2,QZB2/A,QZE,QZE/A,QZE3,QZE3/A,QZE4,QZE4/A,QZE6,QZE6/A,QZF1/A,QZF8,QZF8/A,TXF2,TXF2/A,VEP4,VEP4/A,VXE,VXE/A,VXEP,VXE1,VXE1/A,VXE4,VXE4/A,VZA,VZA/A,VZA1,VZA1/A,VZA4,VZE1,VZE1/A
			-	(1)	-	-	-----	QZB,QZF1
2	31614-ZE2-003	BRACKET, CASE MOUNTING .....	1	-	1	1	-----	PZE,PZE/A,QDA1,QDE1,QXF6,QZA,QZA/A,QZA1,QZA6,QZA6/A,QZB/A,QZB2,QZB2/A,QZE,QZE/A,QZE3,QZE3/A,QZE4,QZE4/A,QZE6,QZE6/A,QZF1/A,QZF8,QZF8/A,TXF2,TXF2/A,VEP4,VEP4/A,VXE,VXE/A,VXEP,VXE1,VXE1/A,VXE4,VXE4/A,VZA,VZA/A,VZA1,VZA1/A,VZA4,VZE1,VZE1/A
			-	(1)	-	-	-----	QZB,QZF1
3	31620-ZG5-003	RECTIFIER ASSY., REGULATOR (20A)	1	-	1	1	-----	QAFU,VDF2
			1	-	-	1	-----	QAC6,QAF,QAFP,QAF2,QDF,QDF2,QDF6,QDW,QXF6,QYF,QZB,QZF,QZF1,QZF6,TXF2
	31620-ZG5-013	.....	-	(1)	-	-	-----	QAD2,QAD2/A,QAF,QAF/A,QAF2,QAF2/A,QDF,QDF/A,QDF2,QDF2/A,QDF6,QDF6/A,QDW,QDW/A,QDX2,QDX2/A,QWF,QWF/A,QYF,QYF/A,QZB,QZB/A,QZB2,QZB2/A,QZF,QZF/A,QZF1,QZF1/A,QZF8,QZF8/A,SWD,SWD/A,TXF2,TXF2/A,VDF2/A
4	31710-ZJ1-811	RECTIFIER ASSY. ....	1	-	1	1	-----	PZE,PZE/A,QDA1,QDE1,QXE4,QZA,QZA/A,QZA1,QZA6,QZA6/A,QZE,QZE/A,QZE3,QZE3/A,QZE4,QZE4/A,QZE6,QZE6/A,VXA3,VXE,VXE/A,VXEP,VXE1,VXE1/A,VXE4,VXE4/A,VZA,VZA/A,VZA1,VZA1/A,VZA4,VZE1,VZE1/A
			-	(1)	-	-	-----	



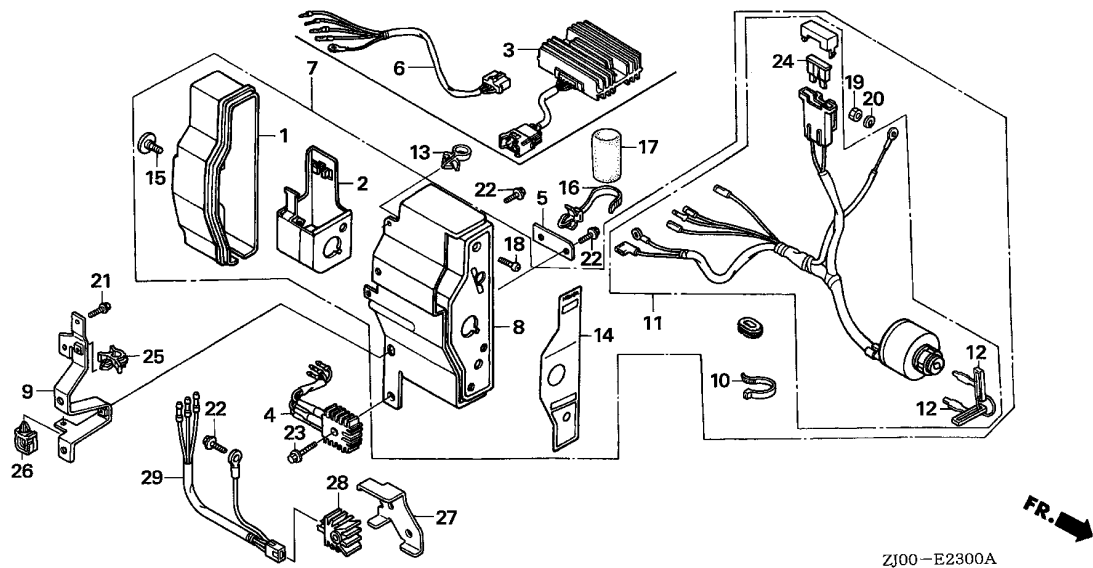


ZJ00-E2300A

Ref. No.	Part No.	Description	Reqd. QTY				Serial No.	Parts catalogue code
			GX 610	GX 610	GX 610 K1	GX 610		
5	32103-759-000	BRACKET, WIRE HARNESS CLIP ..	1	-	1	1	-----	PZE,PZE/A,QDA1,QDE1,QXF6,QZA,QZA/A,QZA1,QZA6,QZA6/A,QZB/A,QZB2/QZB2/A,QZE,QZE/A,QZE3,QZE3/A,QZE4,QZE4/A,QZE6,QZE6/A,QZF1/A,QZF8,QZF8/A,TXF2,TXF2/A,VEP4,VEP4/A,VXE,VXE/A,VXEP,VXE1,VXE1/A,VXE4,VXE4/A,VZA,VZA/A,VZA1,VZA1/A,VZA4,VZE1,VZE1/A
			-	(1)	-	-	-----	QZB,QZF1
6	32105-ZJ1-800	HARNESS ASSY., SUB WIRE .....	1	-	1	1	-----	QAC6,QAD2,QAD2/A,QAF/A,QAFP,QAFU,QAF2,QAF2/A,QDF/A,QDF2,QDF2/A,QDF6,QDF6/A,QDW/A,QDX2,QDX2/A,QXF6,QYF/A,QZB/A,QZB2,QZB2/A,QZF/A,QZF1,QZF1/A,QZF6,QZF8,QZF8/A,TXF2,TXF2/A,VDF2,VDF2/A
			-	(1)	-	-	-----	QAF,QDF,QDW,QYF,QZB,QZF
7	32340-ZJ1-812	BOX ASSY., CONTROL .....	1	-	-	1	-----	PZE,QDA1,QDE1,QXF6,QZA,QZA1,QZA6,QZE,QZE6,TXF2,VXE,VXEP,VXE1,VZA,VZA1
			-	(1)	-	-	-----	QZE4,VXE4,VZA4
	32340-ZJ1-W41	.....	1	-	-	-	-----	PZE,QZA,QZA6,QZB,QZB2,QZE,QZE6,QZF1,TXF2,VXE,VXE1,VZA,VZA1
	32340-ZJ1-841	.....	-	-	1	-	2021866	VZE1
	32340-ZJ1-842	.....	-	-	1	-	-----	PZE/A,QZA/A,QZA6/A,QZB/A,QZB2/A,QZE/A,QZE6/A,QZF1/A,QZF8/QZF8/A,TXF2/A,VXE/A,VXE1/A,VZA/A,VZA1/A,VZE1/A
			-	-	1	-	2021867	PZE,QZA,QZA6,QZB,QZB2,QZE,QZE6,QZF1,TXF2,VXE,VXE1,VZA,VZA1
			-	-	1	-	2022103	VZE1
	32340-ZJ1-851	.....	-	-	1	-	-----	QZE3,QZE4,VXE4
	32340-ZJ1-852	.....	-	-	1	-	-----	QZE3/A,QZE4/A,VEP4,VEP4/A,VXE4/A
			-	-	1	-	2022104	QZE3,QZE4,VXE4

Ref. No.	Part No.	Description	Reqd. QTY				Serial No.	Parts catalogue code
			GX 610	GX 610	GX 610 K1	GX 610		
			(1)	(2)	(3)			
8	32345-ZJ1-811	PANEL COMP., CONTROL .....	1	-	-	1	PZE,QDA1,QDE1,QXF6,QZA,QZA1,QZA6,QZE,QZE6,VXE,VXEP,VXE1,VZA VZA1	
			-	(1)	-	-		
			-	-	1	-	2021866 PZE,QZA,QZA6,QZB,QZB2,QZE,QZE6,QZF1,TXF2,VXE,VXE1,VZA,VZA1 VZE1	
	32345-ZJ1-812	.....	-	-	1	-	2022103 QZE3,QZE4,VXE4	
			-	-	1	-	PZE/A,QZA/A,QZA6/A,QZB/A,QZB2/A,QZE/A,QZE3/A,QZE4/A,QZE6/A QZF1/A,QZF8,QZF8/A,TXF2/A,VEP4,VEP4/A,VXE/A,VXE1/A,VXE4/A VZA/A,VZA1/A,VZE1/A	
			-	-	1	-	2021867 PZE,QZA,QZA6,QZB,QZB2,QZE,QZE6,QZF1,TXF2,VXE,VXE1,VZA,VZA1 VZE1	
			-	-	1	-	2022104 QZE3,QZE4,VXE4	
9	32349-ZJ1-810	STAY, CONTROL BOX .....	1	-	-	1	PZE,QDA1,QDE1,QXF6,QZA,QZA1,QZA6,QZE,QZE4,QZE6,TXF2,VXE,VXEP VXE1,VXE4,VZA,VZA1,VZA4	
			-	(1)	-	-		
	32349-ZJ1-840	.....	-	-	1	-	PZE,PZE/A,QZA,QZA/A,QZA6,QZA6/A,QZB,QZB/A,QZB2,QZB2/A,QZE QZE/A,QZE3,QZE3/A,QZE4,QZE4/A,QZE6,QZE6/A,QZF1/A,QZF8 QZF8/A,SWD,SWD/A,TXF2,TXF2/A,VEP4,VEP4/A,VXE,VXE/A,VXE1,VXE1/A VXE4,VXE4/A,VZA,VZA/A,VZA1,VZA1/A,VZE1,VZE1/A	
10	32902-892-003	BAND .....	1	-	1	1	PZE,PZE/A,QDA1,QDE1,QXF6,QZA,QZA1,QZA6,QZA6/A,QZB/A,QZB2 QZB2/A,QZE,QZE/A,QZE3,QZE3/A,QZE4,QZE4/A,QZE6,QZE6/A,QZF1/A QZF8,QZF8/A,TXF2,TXF2/A,VEP4,VEP4/A,VXE,VXE/A,VXEP,VXE1,VXE1/A VXE4,VXE4/A,VZA,VZA/A,VZA1,VZA1/A,VZA4,VZE1,VZE1/A	
			-	(1)	-	-		
			-	-	1	-	QZB,QZF1	
11	35100-ZJ1-812	SWITCH ASSY., COMBINATION ...	1	-	-	1	PZE,QDA1,QDE1,QXF6,QZA,QZA1,QZA6,QZE,QZE4,QZE6,TXF2,VXE,VXEP VXE1,VXE4,VZA,VZA1,VZA4	
			-	(1)	-	-		
	35100-ZJ1-841	.....	-	-	1	-	PZE,PZE/A,QZA,QZA/A,QZA6,QZA6/A,QZB,QZB/A,QZB2,QZB2/A,QZE QZE/A,QZE3,QZE3/A,QZE4,QZE4/A,QZE6,QZE6/A,QZF1,QZF1/A,QZF8 QZF8/A,TXF2,TXF2/A,VEP4,VEP4/A,VXE,VXE/A,VXE1,VXE1/A,VXE4 VXE4/A,VZA,VZA/A,VZA1,VZA1/A,VZE1,VZE1/A	
12	35111-880-003	KEY COMP. ....	2	-	-	2	PZE,QDA1,QDE1,QXF6,QZA,QZA1,QZA6,QZE,QZE4,QZE6,TXF2,VXE,VXEP VXE1,VXE4,VZA,VZA1,VZA4	
			-	(2)	-	-		
			-	-	2	-	2035892 PZE,QZA,QZA6,QZB,QZB2,QZE,QZE3,QZE4,QZE6,QZF1,QZF8,TXF2,VXE VXE1,VXE4,VZA,VZA1,VZE1	
	35111-880-013	.....	-	-	2	-	PZE/A,QZA/A,QZA6/A,QZB/A,QZB2/A,QZE/A,QZE3/A,QZE4/A,QZE6/A QZF1/A,QZF8/A,TXF2/A,VEP4,VEP4/A,VXE/A,VXE1/A,VXE4/A,VZA/A VZA1/A,VZE1/A	
			-	-	2	-	2035893 PZE,QZA,QZA6,QZB,QZB2,QZE,QZE3,QZE4,QZE6,QZF1,QZF8,TXF2,VXE VXE1,VXE4,VZA,VZA1,VZE1	
13	36103-ZE1-000	HOLDER, STOP SWITCH CORD ....	1	-	1	1	PZE,PZE/A,QDA1,QDE1,QXF6,QZA,QZA/A,QZA1,QZA6,QZA6/A,QZB/A,QZB2 QZB2/A,QZE,QZE/A,QZE3,QZE3/A,QZE4,QZE4/A,QZE6,QZE6/A,QZF1/A QZF8,QZF8/A,TXF2,TXF2/A,VEP4,VEP4/A,VXE,VXE/A,VXEP,VXE1,VXE1/A VXE4,VXE4/A,VZA,VZA/A,VZA1,VZA1/A,VZA4,VZE1,VZE1/A	
			-	(1)	-	-		
			-	-	1	-	QZB,QZF1	
14	87529-ZE2-860	MARK, CONTROL BOX (EXTERNAL-REGULATOR)	1	-	-	1	PZE,QDA1,QDE1,QXF6,QZA,QZA1,QZA6,QZE,QZE6,TXF2,VXE,VXEP,VXE1 VZA,VZA1	
			-	(1)	-	-		
			-	-	1	-	2026027 PZE,QZA,QZA6,QZB,QZB2,QZE,QZE6,QZF1,QZF8,TXF2,VXE,VXE1,VZA VZA1,VZE1	





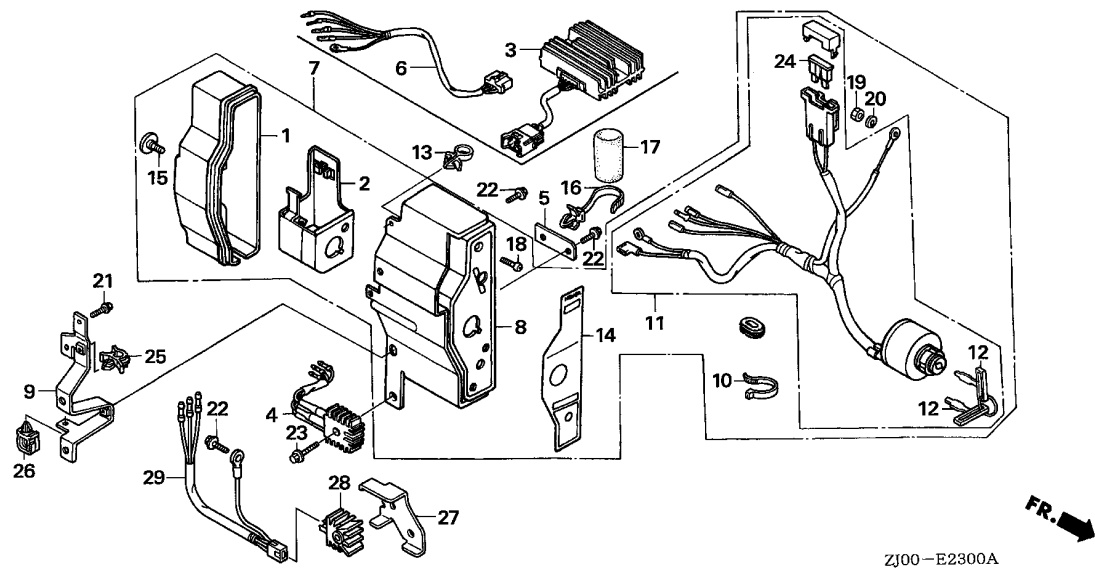
ZJ00-E2300A

Ref. No.	Part No.	Description	Reqd. QTY			Serial No.	Parts catalogue code
			GX 610 (1)	GX 610 (2)	GX 610 K1 (3)		
14)	87529-ZE2-861	MARK, CONTROL BOX (EXTERNAL-REGULATOR)	-	-	1	-	PZE/A, QZA/A, QZA6/A, QZB/A, QZB2/A, QZE/A, QZE6/A, QZF1/A, QZF8/A, TXF2/A, VXE/A, VXE1/A, VZA/A, VZA1/A, VZE1/A
	87529-ZH8-W40	MARK, CONTROL BOX (ENGLISH)	1	-	-	2026028	PZE, QZA, QZA6, QZB, QZB2, QZE, QZE6, QZF1, QZF8, TXF2, VXE, VXE1, VZA, VZA1, VZE1
	87529-ZH8-W41	.....	-	-	1	-	QZE4, VXE4, VZA4
	15	90380-MA6-010	1	-	1	2026140	QZE3, QZE4, VXE4
	16	90676-SA8-003	1	-	1	2026141	QZE3/A, QZE4/A, VEP4, VEP4/A, VXE4/A
		15 90380-MA6-010	1	-	1	-	PZE, PZE/A, QDA1, QDE1, QXF6, QZA, QZA/A, QZA1, QZA6, QZA6/A, QZB/A, QZB2, QZB2/A, QZE, QZE/A, QZE3, QZE3/A, QZE4, QZE4/A, QZE6, QZE6/A, QZF1/A, QZF8, QZF8/A, TXF2, TXF2/A, VEP4, VEP4/A, VXE, VXE/A, VXEP, VXE1, VXE1/A, VXE4, VXE4/A, VZA, VZA/A, VZA1, VZA1/A, VZA4, VZE1, VZE1/A
			-	(1)	-	-	QZB, QZF1
			-	-	1	-	QZB, QZF1
		16 90676-SA8-003	1	-	1	-	PZE, PZE/A, QDA1, QDE1, QXF6, QZA, QZA/A, QZA1, QZA6, QZA6/A, QZB/A, QZB2, QZB2/A, QZE, QZE/A, QZE3, QZE3/A, QZE4, QZE4/A, QZE6, QZE6/A, QZF1/A, QZF8, QZF8/A, TXF2, TXF2/A, VEP4, VEP4/A, VXE, VXE/A, VXEP, VXE1, VXE1/A, VXE4, VXE4/A, VZA, VZA/A, VZA1, VZA1/A, VZA4, VZE1, VZE1/A
			-	(1)	-	-	QZB, QZF1
			-	-	1	-	QZB, QZF1

Ref. No.	Part No.	Description	Reqd. QTY				Serial No.	Parts catalogue code
			GX 610	GX 610	GX 610 K1	GX 610		
			(1)	(2)	(3)			
17	91408-ZJ1-810	TUBE, CORD, 30MM .....	1	-	1	1	PZE,PZE/A,QDA1,QDE1,QXF6,QZA,QZA/A,QZA1,QZA6,QZA6/A,QZB/A,QZB2,QZB2/A,QZE,QZE/A,QZE3,QZE3/A,QZE4,QZE4/A,QZE6,QZE6/A,QZF1/A,QZF8,QZF8/A,TXF2,TXF2/A,VEP4,VEP4/A,VXE,VXE/A,VXEP,VXE1,VXE1/A,VXE4,VXE4/A,VZA,VZA/A,VZA1,VZA1/A,VZA4,VZE1,VZE1/A	
			-	(1)	-	-		
18	93500-04012-0H	SCREW, PAN, 4X12 .....	1	-	1	1	QZB,QZF1 PZE,PZE/A,QDA1,QDE1,QXF6,QZA,QZA/A,QZA1,QZA6,QZA6/A,QZB/A,QZB2,QZB2/A,QZE,QZE/A,QZE3,QZE3/A,QZE4,QZE4/A,QZE6,QZE6/A,QZF1/A,QZF8,QZF8/A,TXF2,TXF2/A,VEP4,VEP4/A,VXE,VXE/A,VXEP,VXE1,VXE1/A,VXE4,VXE4/A,VZA,VZA/A,VZA1,VZA1/A,VZA4,VZE1,VZE1/A	
			-	(1)	-	-		
19	94001-04390-0S	NUT, HEX., 4MM .....	1	-	-	1	QZB,QZF1 PZE,QDA1,QDE1,QXF6,QZA,QZA1,QZA6,QZE,QZE4,QZE6,TXF2,VXE,VXEP,VXE1,VXE4,VZA,VZA1,VZA4	
	94001-04080-0S	.....	-	(1)	-	-		
			-	-	1	-	PZE,PZE/A,QZA,QZA/A,QZA6,QZA6/A,QZB,QZB/A,QZB2,QZB2/A,QZE,QZE/A,QZE3,QZE3/A,QZE4,QZE4/A,QZE6,QZE6/A,QZF1,QZF1/A,QZF8,QZF8/A,TXF2,TXF2/A,VEP4,VEP4/A,VXE,VXE/A,VXE1,VXE1/A,VXE4,VXE4/A,VZA,VZA/A,VZA1,VZA1/A,VZE1,VZE1/A	
20	94111-04800	WASHER, SPRING, 4MM .....	1	-	1	1	PZE,PZE/A,QDA1,QDE1,QXF6,QZA,QZA/A,QZA1,QZA6,QZA6/A,QZB/A,QZB2,QZB2/A,QZE,QZE/A,QZE3,QZE3/A,QZE4,QZE4/A,QZE6,QZE6/A,QZF1/A,QZF8,QZF8/A,TXF2,TXF2/A,VEP4,VEP4/A,VXE,VXE/A,VXEP,VXE1,VXE1/A,VXE4,VXE4/A,VZA,VZA/A,VZA1,VZA1/A,VZA4,VZE1,VZE1/A	
			-	(1)	-	-		
			-	-	1	-	QZB,QZF1	
21	95701-06010-00	BOLT, FLANGE, 6X10 .....	1	-	1	1	PZE,PZE/A,QDA1,QDE1,QXF6,QZA,QZA/A,QZA1,QZA6,QZA6/A,QZB/A,QZB2,QZB2/A,QZE,QZE/A,QZE3,QZE3/A,QZE4,QZE4/A,QZE6,QZE6/A,QZF1/A,QZF8,QZF8/A,SWD,SWD/A,TXF2,TXF2/A,VEP4,VEP4/A,VXE,VXE/A,VXEP,VXE1,VXE1/A,VXE4,VXE4/A,VZA,VZA/A,VZA1,VZA1/A,VZA4,VZE1,VZE1/A	
			-	(1)	-	-		
			-	-	1	-	QZB,QZF1	
22	95701-06012-00	BOLT, FLANGE, 6X12 .....	2	-	2	2	PZE,PZE/A,QAD2,QDA1,QDE1,QXF6,QZA,QZA/A,QZA1,QZA6,QZA6/A,QZB/A,QZB2,QZB2/A,QZE,QZE/A,QZE3,QZE3/A,QZE4,QZE4/A,QZE6,QZE6/A,QZF1/A,QZF8,QZF8/A,TXF2,VXE,VXE/A,VXEP,VXE1,VXE1/A,VXE4,VXE4/A,VZA,VZA/A,VZA1,VZA1/A,VZA4,VZE1,VZE1/A	
			-	(2)	-	-		
			-	-	2	-	QYF,QZB,QZF1	
			-	-	3	-	VEP4,VEP4/A	
23	95701-06032-00	BOLT, FLANGE, 6X32 .....	1	-	1	1	PZE,PZE/A,QDA1,QDE1,QXE4,QZA,QZA/A,QZA1,QZA6,QZA6/A,QZE,QZE/A,QZE3,QZE3/A,QZE4,QZE4/A,QZE6,QZE6/A,VEP4,VEP4/A,VXA3,VXE,VXE/A,VXEP,VXE1,VXE1/A,VXE4,VXE4/A,VZA,VZA1,VZA4,VZE1	
			-	(1)	-	-		
24	98200-32500	FUSE, BLADE (25A) .....	1	-	1	1	PZE,PZE/A,QDA1,QDE1,QXF6,QZA,QZA/A,QZA1,QZA6,QZA6/A,QZB/A,QZB2,QZB2/A,QZE,QZE/A,QZE3,QZE3/A,QZE4,QZE4/A,QZE6,QZE6/A,QZF1/A,QZF8,QZF8/A,TXF2,TXF2/A,VEP4,VEP4/A,VXE,VXE/A,VXEP,VXE1,VXE1/A,VXE4,VXE4/A,VZA,VZA/A,VZA1,VZA1/A,VZA4,VZE1,VZE1/A	
			-	(1)	-	-		
			-	-	1	-	QZB,QZF1	
25	32171-GJ1-003	CLIP, WIRE HARNESS .....	-	-	1	-	PZE/A,QZA/A,QZA6/A,QZB/A,QZB2,QZB2/A,QZE/A,QZE3/A,QZE4/A,QZE6/A,QZF1/A,QZF8,QZF8/A,TXF2,TXF2/A,VEP4,VEP4/A,VXE/A,VXE1/A,VXE4/A,VZA/A,VZA1/A,VZE1/A	
26	91504-750-003	CLIP, WIRE HARNESS .....	-	-	1	-	PZE,PZE/A,QZA/A,QZA6,QZA6/A,QZB,QZB/A,QZB2,QZB2/A,QZE,QZE/A,QZE3,QZE3/A,QZE4,QZE4/A,QZE6,QZE6/A,QZF1/A,QZF8,QZF8/A,TXF2,TXF2/A,VEP4,VEP4/A,VXE,VXE/A,VXE1,VXE1/A,VXE4,VXE4/A,VZA,VZA/A,VZA1,VZA1/A,VZE1,VZE1/A	

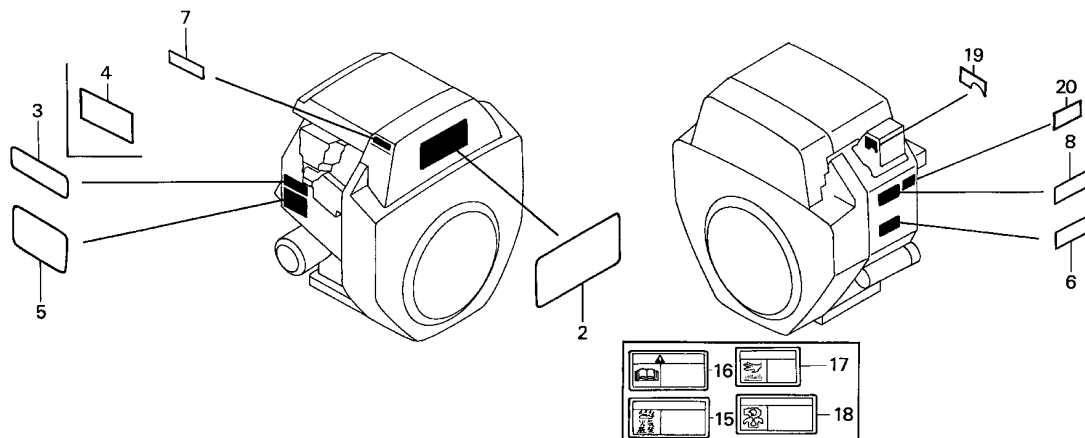






ZJ00-E2300A

Ref. No.	Part No.	Description	Reqd. QTY				Serial No.	Parts catalogue code
			GX 610 (1)	GX 610 (2)	GX 610 K1 (3)	GX 610 (3)		
27	31604-ZJ7-800	BRACKET, REGULATOR RECTIFIER	-	-	1	-	----- VEP4,VEP4/A	
28	31750-735-003	RECTIFIER COMP., REGULATOR ..	-	-	1	-	----- VEP4,VEP4/A	
29	32183-ZJ0-890	HARNESS ASSY., REGULATOR RECTIFIER	-	-	1	-	----- VEP4,VEP4/A	



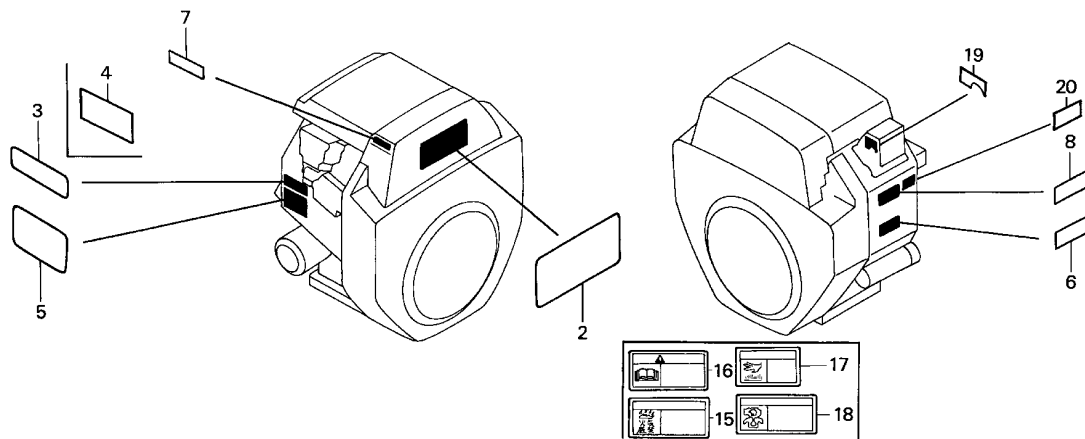
ZJ00-E2800

Ref. L.O.N. (Relative ref. Number) F.R.T.  
No. Description

NO INFORMATION .....

Ref. No.	Part No.	Description	Reqd. QTY			Serial No.	Parts catalogue code
			GX 610	GX 610	GX 610 K1		
2	87101-ZJ0-000	EMBLEM .....	1	(1)	-	1	
	87101-ZJ0-830	.....	-	-	1	-	2021866 QAF2,QDF2,QDW,QZB2,TFX2,VD,VXD,VZA2
	87101-ZJ0-831	EMBLEM (18.0) .....	-	-	1	-	QAF2/A,QDF2/A,QDW/A,QZB2/A,TFX2/A,VD/A,VXD/A,VZA2/A
			-	-	1	-	2021867 QAF2,QDF2,QDW,QZB2,TFX2,VD,VXD,VZA2
3	87152-ZJ0-000	LABEL, SPECIFICATION .....	1	(1)	-	1	
	87152-ZJ0-010	LABEL, SPECIFICATION (GX610) .....	-	-	1	-	2017952 QAF2,QDF2,QDW,QZB2,TFX2,VD,VXD,VZA2
			-	-	1	-	QAF2/A,QDF2/A,QDW/A,QZB2/A,TFX2/A,VD/A,VXD/A,VZA2/A
			-	-	1	-	2017953 QAF2,QDF2,QDW,QZB2,TFX2,VD,VXD,VZA2
4	87522-ZH8-W40	MARK, CAUTION (PICTOGRAPH) ..	1	-	-	-	QXE4,QZE4,QZX4,VXE4,VZA4
5	87522-ZJ1-000	LABEL, CAUTION .....	1	-	-	-	PZE,QAC6,QAF,QAF2,QDA1,QDE,QDE1,QDE6,QDF,QDF2,QDF6,QDW,QXF6
			-	-	-	-	QYF,QZA,QZA1,QZA6,QZB,QZD,QZD1,QZE,QZE6,QZF,QZF1,QZF6,TFX2,VD
			-	(1)	-	1	VXA3,VXD,VXE,VXE1,VXE3,VZA,VZA1
6	87106-ZE9-V00	LABEL, FUEL CAUTION .....	-	-	-	1	
	87532-ZB4-G60	MARK, OIL ALERT (GERMAN) ....	1	-	-	-	QZA1,QZD,QZD1,QZE6,VXA3,VXE1
			1	-	-	-	1003623 QZA,QZE,VXE,VZA
	87532-ZB4-H50	MARK, OIL ALERT (FRENCH) ....	1	-	-	-	QXF6,QZA1,QZD,QZD1,QZE6,VXA3,VXE1
			1	-	-	-	1003623 QZA,QZE,VXE,VZA
7	87532-ZH8-W40	MARK, THROTTLE INDICATION ...	1	-	-	-	QXE4,QZE4,QZX4,VXE4,VZA4
	87532-ZJ1-840	.....	-	-	1	-	QAF2,QAF2/A,QDF2/A,QDW/A,QZB2,QZB2/A
8	87532-ZH8-810	MARK, OIL ALERT (EXTERNAL) ..	1	-	1	-	QXF6,QZA1,QZB2,QZB2/A,QZD,QZD1,TFX2,TFX2/A,VD,VD/A,VXA3,VXD
			1	-	1	-	VXD/A,VZA2,VZA2/A
			-	(1)	-	-	PZE,QZA,QZA6,QZE,QZE6,VXE,VXEP,VXE1,VXE3,VZA,VZA1





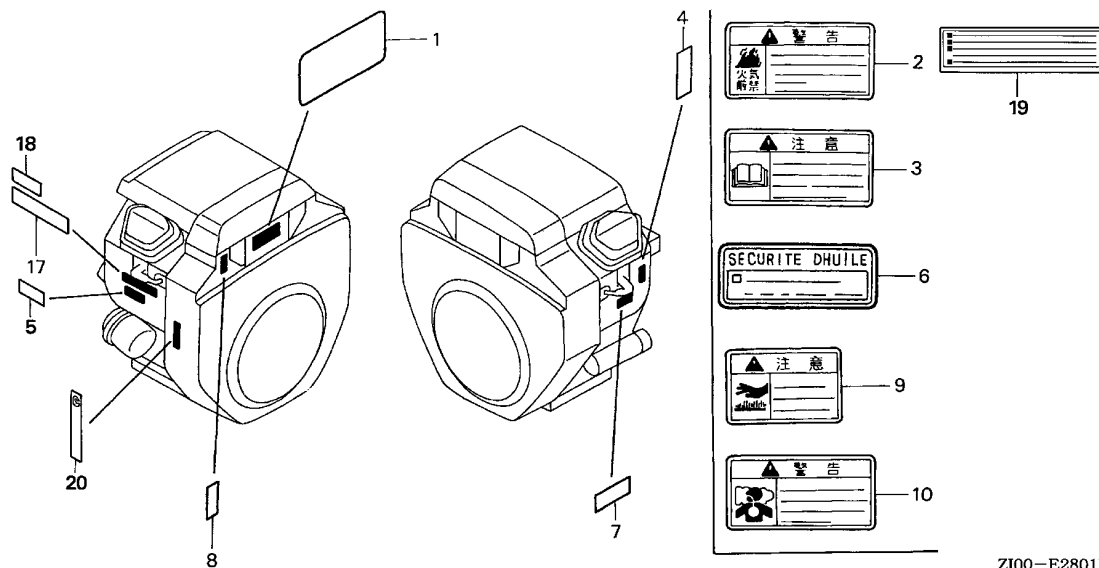
ZJ00-E2800

Ref. No.	Part No.	Description	Reqd. QTY				Serial No.	Parts catalogue code
			GX 610	GX 610	GX 610 K1	GX 610 (3)		
15	87106-737-J00	MARK, FUEL WARNING .....	(1)	-	(1)	-	-----	QDF2/A,QDW/A,QZB2,VD,VXD,VZA2
			(1)	-	-	-	-----	VXE3
			-	-	1	-	-----	TXF2, TXF2/A
			-	-	(1)	-	-----	QDF2,QDW
16	87150-ZH8-000	MARK, CAUTION (JAPANESE) ....	(1)	-	(1)	-	-----	QAC6,QDA1,QDE1,QDE6,QXE4,QXF6,QZA1,QZB2,QZF6,QZX4,VD,VXD,VZA2
			(1)	-	-	-	-----	VZA4
			-	-	-	-	-----	QAF,QDE,QDF,QDF6,QYF,QZA,QZA6,QZB,QZE,QZE4,QZE6,QZF,QZF1,VXE
			-	-	(1)	-	-----	VXE1,VXE3,VXE4,VZA,VZA1
			-	-	(1)	-	-----	QDF2,QDW
17	87539-737-J00	MARK, HEAT CAUTION .....	(1)	-	(1)	-	-----	QAC6,QDA1,QDE1,QDE6,QXE4,QXF6,QZA1,QZB2,QZF6,QZX4,VD,VXD,VZA2
			(1)	-	-	-	-----	VZA4
			-	-	-	-	-----	QAF,QDE,QDF,QDF6,QYF,QZA,QZA6,QZB,QZE,QZE4,QZE6,QZF,QZF1,VXE
			-	-	1	-	-----	VXE1,VXE3,VXE4,VZA,VZA1
			-	-	(1)	-	-----	TXF2, TXF2/A
			-	-	(1)	-	-----	QDF2,QDW
18	87561-733-J00	MARK, EX. GAS WARNING .....	(1)	-	(1)	-	-----	QAC6,QDA1,QDE1,QDE6,QXE4,QXF6,QZA1,QZB2,QZF6,QZX4,VD,VXD,VZA2
			(1)	-	-	-	-----	VZA4
			-	-	-	-	-----	QAF,QDE,QDF,QDF6,QYF,QZA,QZA6,QZB,QZE,QZE4,QZE6,QZF,QZF1,VXE
			-	-	1	-	-----	VXE1,VXE3,VXE4,VZA,VZA1
			-	-	(1)	-	-----	TXF2, TXF2/A
			-	-	(1)	-	-----	QDF2,QDW
19	87532-ZH9-V00	MARK, ENGINE SWITCH (SDMO) ..	1	-	-	-	-----	QZD,QZD1
20	87586-ZH7-W00	LABEL, FUEL CAUTION .....	1	-	-	-	1009109	QZD1
			2	-	-	-	1009109	PZE, TXF2, VXA3

E-28-1

LABEL(2)

K 7



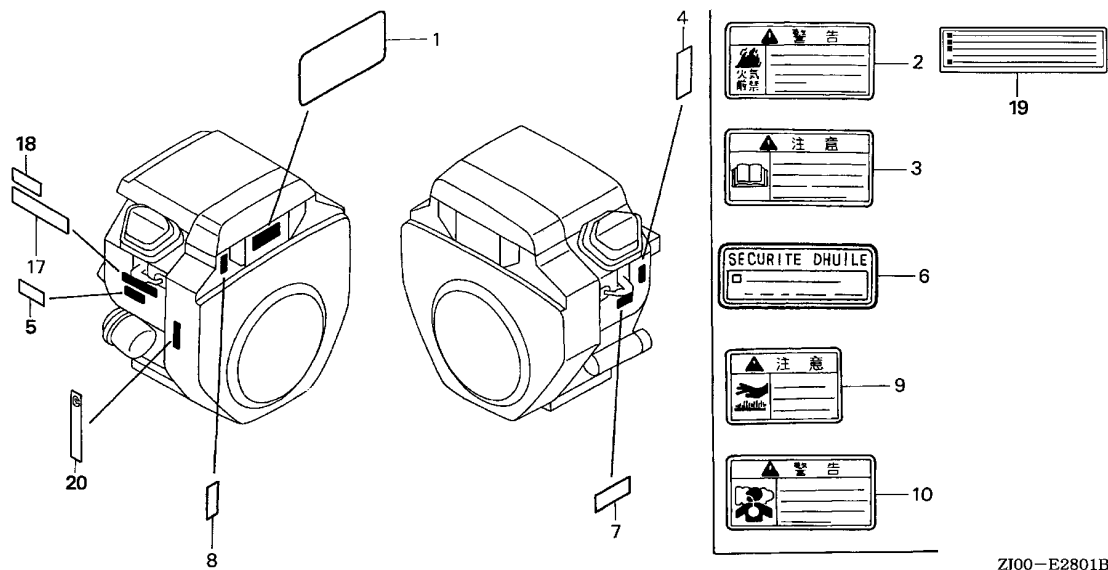
ZJ00-E2801B

Ref. L.O.N. (Relative ref. Number) F.R.T.  
No. Description

NO INFORMATION .....

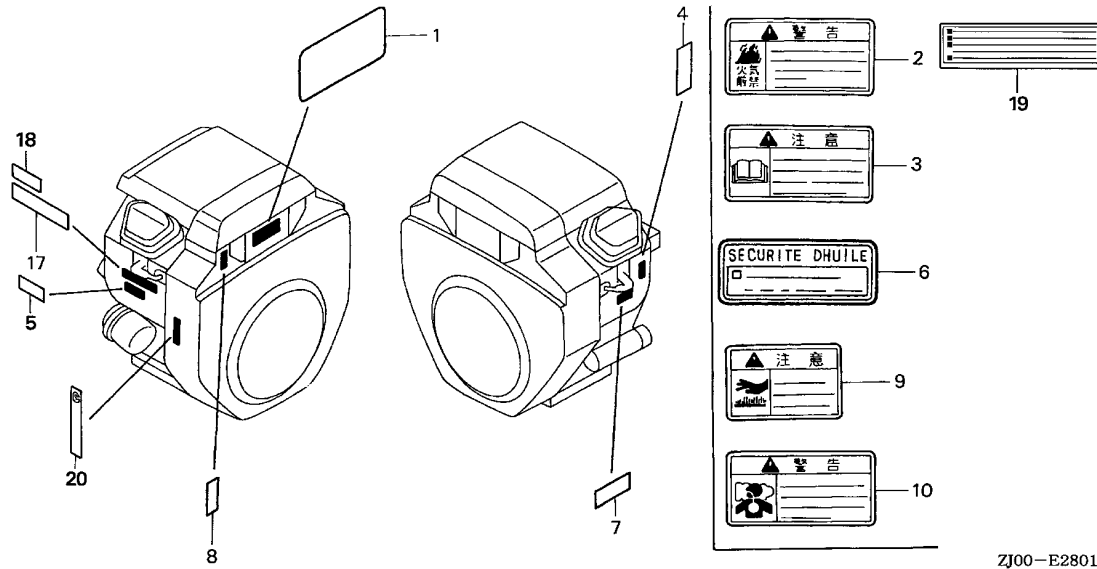
Ref. No.	Part No.	Description	Reqd. QTY				Serial No.	Parts catalogue code
			GX 610 (1)	GX 610 (2)	GX 610 K1 (3)	GX 610 (3)		
1	87101-ZJ0-830	EMBLEM .....	-	-	1	-	2021866	PZE,QAF,QDE,QDF,QDF6,QYF,QZA,QZA6,QZB,QZE,QZE3,QZE4,QZE6,QZF,QZF1,QZX5,VXE,VXE1,VXE3,VXE4,VZA,VZA1,VZE1
	87101-ZJ0-831	EMBLEM (18.0) .....	-	-	1	-		PZE/A,QAD2,QAD2/A,QAF/A,QDE/A,QDF/A,QDF6/A,QDX2,QDX2/A,QYF/A,QZA/A,QZA6/A,QZB/A,QZE/A,QZE3/A,QZE4/A,QZE6/A,QZF/A,QZF1/A,QZF8,QZF8/A,QZX5/A,VEP4,VEP4/A,VXE/A,VXE1/A,VXE3/A,VXE4/A,VZA/VZA1/A,VZE1/A
			-	-	1	-	2021867	PZE,QAF,QDE,QDF,QDF6,QYF,QZA,QZA6,QZB,QZE,QZE3,QZE4,QZE6,QZF,QZF1,QZX5,VXE,VXE1,VXE3,VXE4,VZA,VZA1,VZE1
2	87106-737-J00	MARK, FUEL WARNING .....	-	-	1	-		QWF,QWF/A,TFX2/A
			-	-	(1)	-		PZE,PZE/A,QAD2,QAD2/A,QAF,QAF/A,QDE,QDE/A,QDF,QDF/A,QDF6,QDF6/A,QYF,QYF/A,QZA,QZA/A,QZA6,QZA6/A,QZB,QZB/A,QZE,QZE/A,QZE3,QZE3/A,QZE4,QZE4/A,QZE6,QZE6/A,QZF,QZF/A,QZF1,QZF1/A,VDF2/VDF2/A,VEP4,VEP4/A,VXE,VXE/A,VXE1,VXE1/A,VXE3,VXE3/A,VXE4/VXE4/A,VZA,VZA/A,VZA1,VZA1/A,VZE1,VZE1/A
3	87150-ZH8-000	MARK, CAUTION (JAPANESE) .....	-	-	(1)	-		PZE,PZE/A,QAD2,QAD2/A,QAF,QAF/A,QDE,QDE/A,QDF,QDF/A,QDF6,QDF6/A,QWF,QWF/A,QYF,QYF/A,QZA,QZA/A,QZA6,QZA6/A,QZB,QZB/A,QZE,QZE/A,QZE3,QZE3/A,QZE4,QZE4/A,QZE6,QZE6/A,QZF,QZF/A,QZF1,QZF1/A,VDF2,VDF2/A,VEP4,VEP4/A,VXE,VXE/A,VXE1,VXE1/A,VXE3/VXE3/A,VXE4/VXE4/A,VZA/VZA/A,VZA1,VZA1/A,VZE1,VZE1/A
4	87152-ZJ0-000	LABEL, SPECIFICATION .....	-	-	1	-	2017952	PZE,QAF,QDE,QDF,QDF6,QYF,QZA,QZA6,QZB,QZE,QZE3,QZE4,QZE6,QZF,QZF1,QZX5,VXE,VXE1,VXE3,VXE4,VZA,VZA1,VZE1
	87152-ZJ0-010	LABEL, SPECIFICATION (GX610) .....	-	-	1	-		PZE/A,QAD2,QAD2/A,QAF/A,QDE/A,QDF/A,QDF6/A,QDX2,QDX2/A,QYF/A,QZA/A,QZA6/A,QZB/A,QZE/A,QZE3/A,QZE4/A,QZE6/A,QZF/A,QZF1/A,QZF8,QZF8/A,QZX5/A,TFX2/A,VDF2,VDF2/A,VEP4,VEP4/A,VXE/A,VXE1/A,VXE3/A,VXE4/A,VZA/A,VZA1/A,VZE1/A
			-	-	1	-	2017953	PZE,QAF,QDE,QDF,QDF6,QYF,QZA,QZA6,QZB,QZE,QZE3,QZE4,QZE6,QZF,QZF1,QZX5,VXE,VXE1,VXE3,VXE4,VZA,VZA1,VZE1
5	87516-YE9-660	MARK, OPERATOR CAUTION .....	-	-	1	-	2011906	QZE3,QZE4,VXE4

2



ZJ00-E2801B

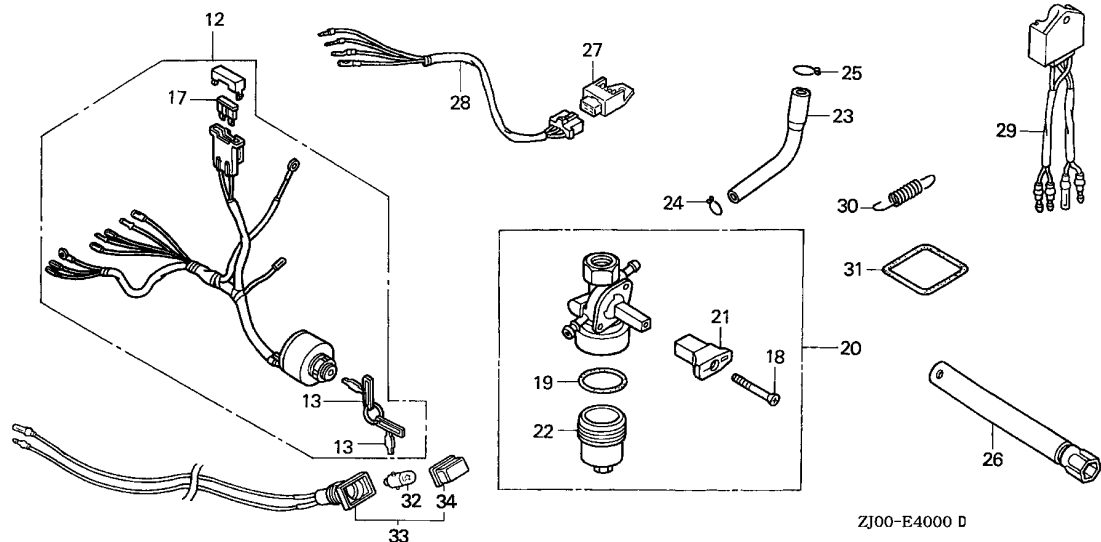
Ref. No.	Part No.	Description	Reqd. QTY				Serial No.	Parts catalogue code
			GX 610	GX 610	GX 610	GX 610		
(5)	87516-YF3-660	MARK, OPERATOR CAUTION .....	-	-	1	-	----- QZE3/A,QZE4/A,QZX5,QZX5/A,VXE4/A	
			-	-	1	2011907	----- QZE3,QZE4,VXE4	
6	87530-ZL8-820	MARK, OIL ALERT (FRENCH) ....	-	-	1	-	----- QZE6,QZE6/A	
7	87532-ZH8-810	MARK, OIL ALERT (EXTERNAL) ..	-	-	1	-	----- PZE,PZE/A,QZA,QZA/A,QZA6,QZA6/A,QZB,QZB/A,QZE,QZE/A,QZE6	
							----- QZE6/A,QZF1,QZF1/A,QZF8,QZF8/A,VXE,VXE/A,VXE1,VXE1/A,VXE3	
							----- VXE3/A,VZA,VZA/A,VZA1,VZA1/A,VZE1,VZE1/A	
8	87532-ZJ1-840	MARK, THROTTLE INDICATION ...	-	-	1	-	----- PZE,PZE/A,QDE,QDE/A,QDF,QDF/A,QDF6,QDF6/A,QYF/A,QZB,QZB/A,QZE	
							----- QZE/A,QZE4,QZE4/A,QZE6,QZE6/A,QZF,QZF/A,QZF1,QZF1/A,QZF8	
							----- QZF8/A,QZX5,QZX5/A,VEP4,VEP4/A,VXE,VXE/A,VXE1,VXE1/A,VXE3	
							----- VXE3/A,VXE4,VXE4/A,VZA,VZA/A,VZA1,VZA1/A,VZE1,VZE1/A	
9	87539-737-J00	MARK, HEAT CAUTION .....	-	-	1	-	----- QWF,QWF/A	
			-	-	(1)	-	----- PZE,PZE/A,QAD2,QAD2/A,QAF,QAF/A,QDE,QDE/A,QDF,QDF/A,QDF6	
							----- QDF6/A,QYF,QYF/A,QZA,QZA/A,QZA6,QZA6/A,QZB,QZB/A,QZE,QZE/A	
							----- QZE3,QZE3/A,QZE4,QZE4/A,QZE6,QZE6/A,QZF,QZF/A,QZF1,QZF1/A,VDF2	
							----- VDF2/A,VEP4,VEP4/A,VXE,VXE/A,VXE1,VXE1/A,VXE3,VXE3/A,VXE4	
							----- VXE4/A,VZA,VZA/A,VZA1,VZA1/A,VZA2/A,VZE1,VZE1/A	
10	87561-733-J00	MARK, EX. GAS WARNING .....	-	-	1	-	----- QWF,QWF/A	
			-	-	(1)	-	----- PZE,PZE/A,QAD2,QAD2/A,QAF,QAF/A,QDE,QDE/A,QDF,QDF/A,QDF2/A	
							----- QDF6,QDF6/A,QDW/A,QYF,QYF/A,QZA,QZA/A,QZA6,QZA6/A,QZB,QZB/A	
							----- QZB2/A,QZE,QZE/A,QZE3,QZE3/A,QZE4,QZE4/A,QZE6,QZE6/A,QZF,QZF/A	
							----- QZF1,QZF1/A,VD/A,VDF2,VDF2/A,VEP4,VEP4/A,VXD/A,VXE,VXE/A,VXE1	
							----- VXE1/A,VXE3,VXE3/A,VXE4,VXE4/A,VZA,VZA/A,VZA1,VZA1/A,VZA2/A	
							----- VZE1,VZE1/A	
17	87135-ZE2-000	LABEL, E-SPEC (HONDA) (EPA STANDARD)(15.5X60.0)	-	-	1	-	----- 2017422 QWF	
			-	-	1	2011765	----- 2017422 QZB,QZE3,QZE4,QZF1,VXE1,VXE3,VXE4,VZE1	



ZJ00-E2801B

Ref. No.	Part No.	Description	Reqd. QTY			Serial No.	Parts catalogue code
			GX 610	GX 610	GX 610 K1		
17)	87135-ZE2-010	LABEL, E-SPEC (EPA STANDARD) (15.5X60.0)	-	-	1	-----	2024130 QZF8,QZX5
	87135-ZE2-020	LABEL, E-SPEC (15.5X27.5) ...	-	-	1	2017423	2024130 QWF,QZB,QZE3,QZE4,QZF1,VXE1,VXE3,VXE4,VZE1
			-	-	1	-----	QWF/A,QZB/A,QZF1/A,QZF8/A,VXE1/A,VXE3/A,VZE1/A
			-	-	1	2024131	----- QWF,QZB,QZF1,QZF8,VXE1,VXE3,VZE1
			-	-	1	2024131	2042714 QZE3,QZE4,QZX5,VXE4
18	87114-ZH7-000	LABEL, WARNING (NOT CERTIFIED FOR SALE)	-	-	1	-----	----- QWF/A,SWD/A,VXE3/A,VZE1/A
			-	-	1	2048215	----- QWF,SWD,VXE3,VZE1
19	87522-ZH9-010	LABEL, CAUTION (ENGLISH, ETC.)	-	-	1	-----	----- QDF2/A,QDW/A,QYF/A
20	87637-ZM3-800	MARK (C-TICK) .....	-	-	1	-----	----- QZB/A,QZF/A,QZF1/A,QZF8/A,VXE1/A

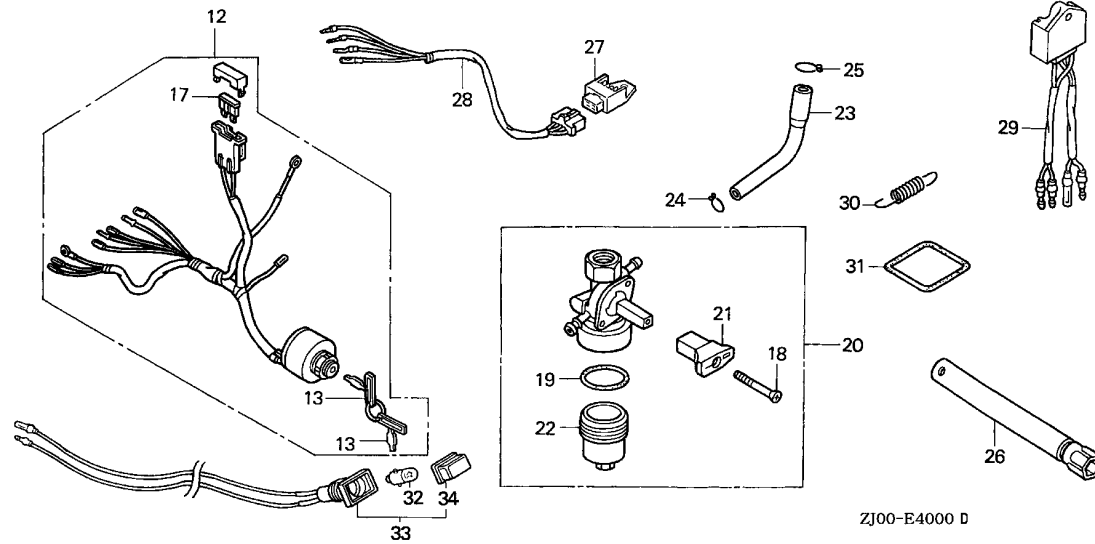




Ref. L.O.N. (Relative ref. Number) F.R.T.  
No. Description

NO INFORMATION .....

Ref. No.	Part No.	Description	Reqd. QTY				Serial No.	Parts catalogue code
			GX 610 (1)	GX 610 (2)	GX 610 K1 (3)	GX 610 (3)		
12	35100-ZJ1-812 35100-ZJ1-841	SWITCH ASSY., COMBINATION ...	1	-	-	1019770	----- QXE4 ----- PZE,PZE/A,QZA,QZA/A,QZA6,QZA6/A,QZB,QZB/A,QZB2/A,QZE,QZE/A ----- QZE3,QZE3/A,QZE4,QZE4/A,QZE6,QZE6/A,QZF1,QZF1/A,QZF8/A,TFX2/A ----- VEP4/A,VXE,VXE/A,VXE1,VXE1/A,VXE4,VXE4/A,VZA/A,VZA1,VZA1/A ----- VZE1/A	
13	35111-880-003	KEY COMP. ....	2	-	-	1019770	----- QXE4 ----- PZE,QZA,QZA6,QZB,QZE,QZE3,QZE4,QZE6,QZF1,QZF8,VXE,VXE1,VXE4 ----- VZA1	
17	98200-32500	FUSE, BLADE (25A) .....	1	-	-	1019770	----- QXE4 ----- PZE,PZE/A,QZA,QZA/A,QZA6,QZA6/A,QZB,QZB/A,QZB2/A,QZE,QZE/A ----- QZE3,QZE3/A,QZE4,QZE4/A,QZE6,QZE6/A,QZF1,QZF1/A,QZF8/A,TFX2/A ----- VEP4/A,VXE,VXE/A,VXE1,VXE1/A,VXE4,VXE4/A,VZA/A,VZA1,VZA1/A ----- VZE1/A	
18	16080-191-005	SCREW, OVAL, 4X32 .....	1	-	-	1038197	----- VD,VXD	
19	16173-001-004	PACKING, FUEL STRAINER CUP ..	1	-	-	1038197	----- VD,VXD	
20	16950-ZA0-013	COCK ASSY., FUEL .....	1	-	-	1038197	----- VD,VXD	
21	16963-191-005	LEVER, FUEL COCK .....	1	-	-	1038197	----- VD,VXD	
22	16967-MA2-771	CUP, FUEL STRAINER .....	1	-	-	1038197	----- VD,VXD	
23	17701-ZJ1-S00	TUBE, FUEL (EXEN) .....	1	-	-	1038197	----- VD,VXD	
	17701-ZJ0-W00	TUBE, FUEL .....	1	-	-	1038198	----- VD,VXD	
	17701-ZJ0-830	.....	-	-	1	-----	----- VD,VD/A,VXD,VXD/A	
24	95002-02080	CLIP, TUBE (B8) .....	1	-	-	-----	----- VD,VXD	
		.....	-	-	1	-----	----- VD/A,VXD/A	
25	95002-41050-08	CLAMP, TUBE (D10.5) .....	1	-	1	-----	----- VD,VD/A,VXD,VXD/A	

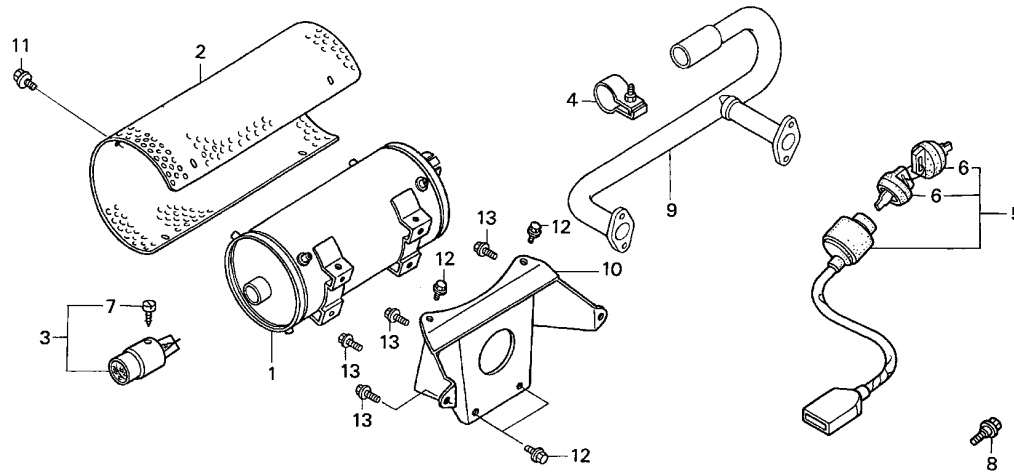


ZJ00-E4000 D

Ref. No.	Part No.	Description	Reqd. QTY				Serial No.	Parts catalogue code
			GX 610 (1)	GX 610 (2)	GX 610 K1 (3)	GX 610 (3)		
26	89218-ZE1-000	WRENCH COMP., SPARK PLUG	1	-	-	1038198	VD,VXD	
			-	(1)	-		QDX2,QDX2/A,QZE3,QZE3/A,QZE4,QZE4/A,VD,VD/A,VEP4,VEP4/A,VXD/VXD/A,VXE4,VXE4/A	
	99004-21003	WRENCH, BOX (P21)	-	-	1		SWD,SWD/A	
27	31710-ZS9-A01	RECTIFIER ASSY.	-	-	1		QZX5,QZX5/A	
28	32105-ZJ1-810	HARNESS ASSY., SUB WIRE	-	-	1		QZX5,QZX5/A	
29	31620-881-A02	RECTIFIER ASSY., REGULATOR	-	-	1		VD/A,VXD/A	
			-	-	1	2017172	VD	
			-	-	1	2029882	VXD	
30	16534-ZJ1-840	SPRING, STARTER	-	-	1		VDF2,VDF2/A	
31	17229-ZJ1-840	SEAL, AIR CLEANER CASE	-	-	1		VDF2,VDF2/A	
32	34908-GEO-701	BULB, WEDGE BASE (12V/2W)	-	-	1		QDX2,QDX2/A	
33	37570-ZA0-801	SOCKET ASSY., LAMP (RED)	-	-	1		QDX2,QDX2/A	
34	37573-ZA0-801	LENS (RED)	-	-	1		QDX2,QDX2/A	



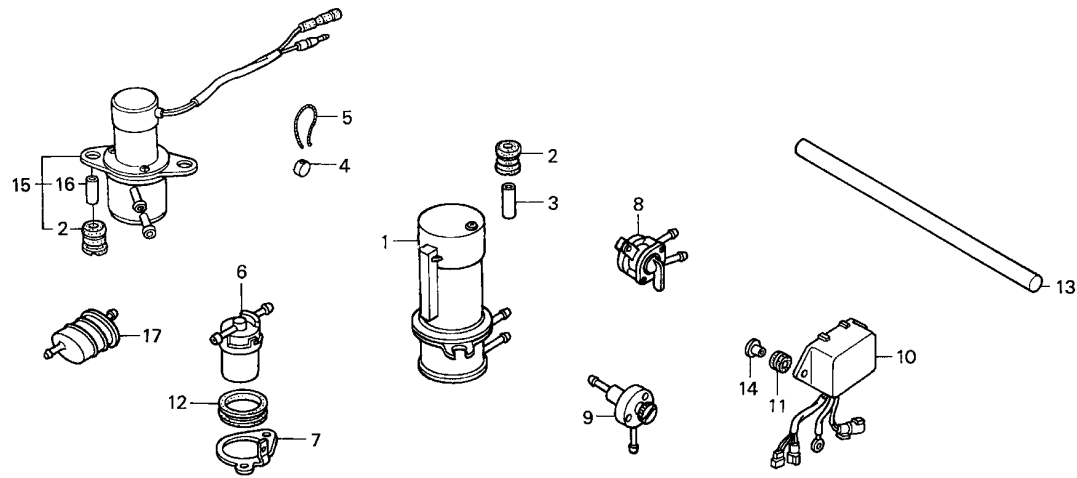




ZJ00-E4001B

Ref. No.	L.O.N.	(Relative ref. Number) Description	F.R.T.
1	3131C5	MUFFLER, EXHAUST .....	0.3
3	3131A1	ARRESTER, SPARK .....	0.1
9	3131C9	PIPE, EXHAUST .....	0.4
10	3131E1	STAY, MUFFLER .....	0.4

Ref. No.	Part No.	Description	Reqd. QTY				Serial No.	Parts catalogue code
			GX 610	GX 610	GX 610 K1	GX 610 (3)		
1	18310-ZJ1-013	MUFFLER COMP. (HIGH) .....	-	-	1	-	----- QWF	
2	18321-ZJ1-003	PROTECTOR, MUFFLER (HIGH) ...	-	-	1	-	----- QWF	
3	18355-ZJ1-003	ARRESTER, SPARK .....	-	-	(1)	-	----- QWF	
4	18396-ZJ1-003	BAND ASSY. ....	-	-	1	-	----- QWF	
5	35100-768-S01	SWITCH ASSY., COMBINATION ...	-	-	1	-	----- QWF,QWF/A,SWD,SWD/A	
6	35110-766-003	KEY ASSY., COMBINATION SWITCH	-	-	2	----- 2042009	----- QWF,SWD	
	35110-736-612	.....	-	-	2	----- 2042010	----- QWF/A,SWD/A	
			-	-	2	-----	----- QWF,SWD	
7	90009-ZJ1-801	SCREW, (NELSON) .....	-	-	(1)	-	----- QWF	
8	90102-VA4-000	BOLT, ENGINE SETTING .....	-	-	3	-	----- QWF,QWF/A	
9	18330-ZJ1-841	PIPE COMP., EX. (HIGH-R) ....	-	-	1	----- 2014408	----- QWF	
10	18338-ZJ1-841	STAY, MUFFLER (HIGH) .....	-	-	1	----- 2014408	----- QWF	
11	95701-06008-00	BOLT, FLANGE, 6X8 .....	-	-	6	----- 2014408	----- QWF	
12	95701-08014-00	BOLT, FLANGE, 8X14 .....	-	-	4	----- 2014408	----- QWF	
13	95701-08020-00	BOLT, FLANGE, 8X20 .....	-	-	4	----- 2014408	----- QWF	



ZJ00-E4002 A

Ref. No.	L.O.N.	(Relative ref. Number) Description	F.R.T.
----------	--------	------------------------------------	--------

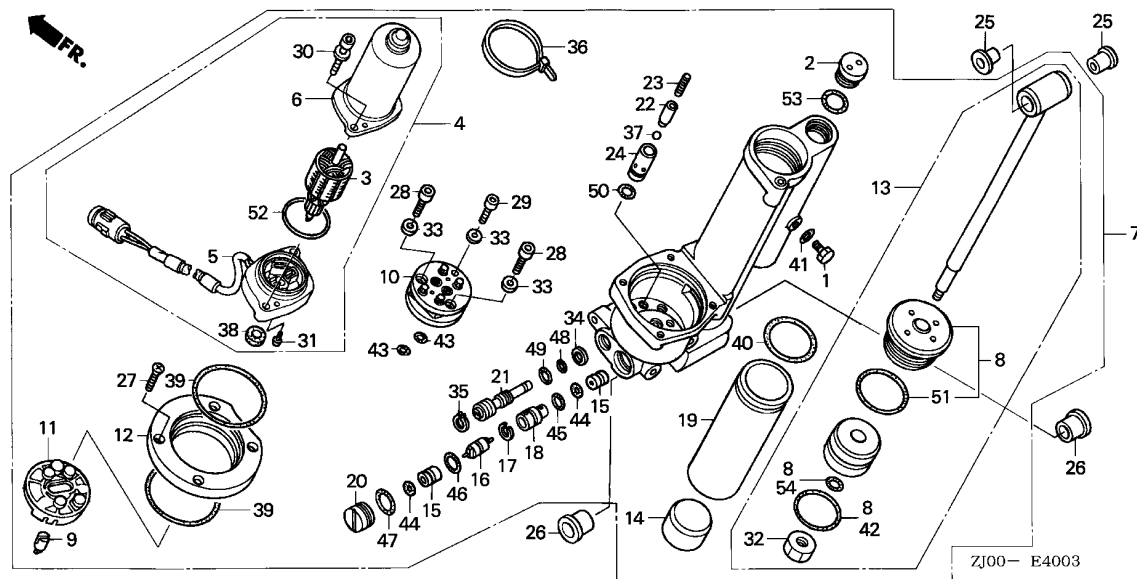
NO INFORMATION .....

Ref. No.	Part No.	Description	Reqd. QTY			Serial No.	Parts catalogue code
			GX 610	GX 610	GX 610 K1		
1	16700-ZA0-971	PUMP ASSY., FUEL (ELECTROMAGNETIC)	-	-	1	-	SWD,SWD/A
2	16711-679-000	RUBBER, FUEL PUMP MOUNTING ..	-	-	2	-	QDX2,QDX2/A,SWD,SWD/A
3	16712-657-300	COLLAR, FUEL PUMP DISTANCE ..	-	-	2	-	SWD,SWD/A
4	16727-705-000	END, LOCK .....	-	-	1	-	SWD,SWD/A
5	16729-705-010	WIRE, LOCK .....	-	-	1	-	SWD,SWD/A
6	16900-SA5-004	STRAINER COMP., FUEL (TOYO ROKI)	-	-	1	-	SWD,SWD/A
7	16914-ZW1-000	STAY, FUEL STRAINER .....	-	-	1	-	SWD,SWD/A
8	16950-797-A01	COCK ASSY., FUEL .....	-	-	1	-	SWD,SWD/A
9	16980-797-A01	SCREW COMP., FUEL DRAIN .....	-	-	1	-	SWD,SWD/A
10	38550-797-A01	RELAY ASSY., POWER HEIGHT ...	-	-	1	-	SWD,SWD/A
11	38551-ZW1-000	GROMMET, RELAY .....	-	-	2	-	SWD,SWD/A
12	40146-ZV5-000	GROMMET, FUEL STRAINER .....	-	-	1	-	SWD,SWD/A
13	89219-805-000	HANDLE, BOX WRENCH .....	-	-	1	-	SWD,SWD/A
14	91553-ZV5-010	COLLAR, C.D.I. UNIT CASE .....	-	-	2	-	SWD,SWD/A
15	16700-758-003	PUMP ASSY., FUEL .....	-	-	1	-	QDX2,QDX2/A
16	16712-657-300	COLLAR, FUEL PUMP DISTANCE ..	-	-	2	-	QDX2,QDX2/A
17	16900-611-004	STRAINER COMP., FUEL .....	-	-	1	-	QDX2,QDX2/A

E-40-3

OTHER PARTS(4)

K14



Ref. No.	L.O.N.	(Relative ref. Number) Description	F.R.T.
3	8171F4	ARMATURE, POWER TRIM-TILT ....	0.2
4	8171B6	MOTOR, POWER TILT .....	0.1
10	8171C7	PUMP, POWER TRIM-TILT .....	0.2
13	8171C0	ROD, POWER TRIM-TILT PISTON ..	0.3
16	8171D1	VALVE, POWER HEIGHT SPOOL ....	0.2
21	8171F5	VALVE, POWER TRIM-TILT MANUAL	0.2
25	8171F6	BUSH, POWER TRIM-TILT UPPER CYLINDER .....	0.1
26	8171F0	BUSH, POWER TRIM-TILT LOWER CYLINDER .....	0.1

.NOTE: Same time for two units  
.NOTE: Same time for two units

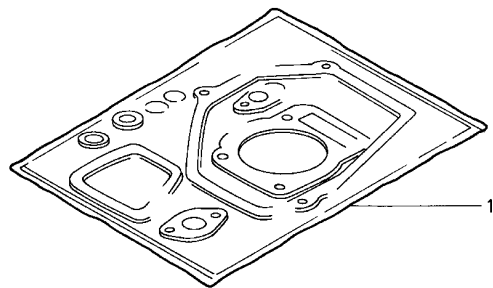
Ref. No.	Part No.	Description	Reqd. QTY				Serial No.	Parts catalogue code
			GX 610	GX 610	GX 610 K1	GX 610		
1	15626-766-801	CAP, OIL HOLE .....	-	-	1	-	SWD,SWD/A	
2	25611-766-802	CAP, OIL HOLE .....	-	-	1	-	SWD,SWD/A	
3	31217-797-A02	ARMATURE COMP. ....	-	-	1	-	SWD,SWD/A	
4	36120-797-A02	MOTOR ASSY., POWER TILT .....	-	-	1	-	SWD,SWD/A	
5	36122-797-A01	BRACKET ASSY. ....	-	-	1	-	SWD,SWD/A	
6	36129-762-801	YOKE COMP. ....	-	-	1	-	SWD,SWD/A	
7	56000-797-A03	HEIGHT ASSY., POWER .....	-	-	1	-	SWD,SWD/A	
8	56010-797-A01	GUIDE SET, ROD .....	-	-	1	-	SWD,SWD/A	
9	56113-797-A02	JOINT, DRIVE .....	-	-	1	-	SWD,SWD/A	
10	56114-ZV5-821	PUMP .....	-	-	1	-	SWD,SWD/A	
11	56116-ZV5-822	FILTER B .....	-	-	1	-	SWD,SWD/A	
12	56119-797-A02	ATTACHMENT .....	-	-	1	-	SWD,SWD/A	
13	56120-797-A01	ROD COMP., PISTON .....	-	-	1	-	SWD,SWD/A	
14	56122-797-A01	SPACER .....	-	-	1	-	SWD,SWD/A	
15	56140-ZV5-822	VALVE COMP., (B) .....	-	-	2	-	SWD,SWD/A	
16	56150-ZV5-822	SPOOL COMP., VALVE .....	-	-	1	-	SWD,SWD/A	
17	56151-ZV5-822	RING, BACK UP .....	-	-	1	-	SWD,SWD/A	
18	56161-ZV5-822	SLEEVE .....	-	-	1	-	SWD,SWD/A	
19	56161-762-801	SLEEVE .....	-	-	1	-	SWD,SWD/A	
20	56163-ZY1-871	PLUG COMP. ....	-	-	1	-	SWD,SWD/A	
21	56170-ZV5-821	VALVE COMP., MANUAL .....	-	-	1	-	SWD,SWD/A	
22	56182-766-801	GUIDE, SPRING .....	-	-	1	-	SWD,SWD/A	
23	56183-797-003	SPRING, VALVE .....	-	-	1	-	SWD,SWD/A	
24	56191-766-801	SEAT, VALVE .....	-	-	1	-	SWD,SWD/A	

Ref. No.	Part No.	Description	Reqd. QTY				Serial No.	Parts catalogue code
			GX 610	GX 610	GX 610 K1	GX 610		
			(1)	(2)	(3)	(3)		
25	56512-ZV5-000	BUSH, UPPER CYLINDER .....	-	-	2	-	----- SWD,SWD/A	
26	56513-ZV5-000	BUSH, LOWER CYLINDER .....	-	-	2	-	----- SWD,SWD/A	
27	90101-797-A01	BOLT, RECESSED .....	-	-	4	-	----- SWD,SWD/A	
28	90114-ZV5-821	BOLT, SOCKET (A) .....	-	-	2	-	----- SWD,SWD/A	
29	90115-ZV5-821	BOLT, SOCKET (B) .....	-	-	1	-	----- SWD,SWD/A	
30	90115-762-801	BOLT, SOCKET (B) .....	-	-	2	-	----- SWD,SWD/A	
31	90134-762-801	SCREW, PAN (M4) .....	-	-	2	-	----- SWD,SWD/A	
32	90301-797-631	NUT, HEX. ....	-	-	1	-	----- SWD,SWD/A	
33	90401-ZV5-822	WASHER, PLAIN .....	-	-	3	-	----- SWD,SWD/A	
34	90402-ZV5-821	WASHER, SEAL .....	-	-	1	-	----- SWD,SWD/A	
35	90604-ZV5-822	CIRCLIP, INTERNAL .....	-	-	1	-	----- SWD,SWD/A	
36	90621-766-801	BAND, WIRE HARNESS .....	-	-	1	-	----- SWD,SWD/A	
37	90921-766-801	BALL, STEEL .....	-	-	1	-	----- SWD,SWD/A	
38	91203-762-801	OIL SEAL .....	-	-	1	-	----- SWD,SWD/A	
39	91302-ZV5-821	O-RING .....	-	-	2	-	----- SWD,SWD/A	
40	91302-762-801	O-RING .....	-	-	1	-	----- SWD,SWD/A	
41	91303-ZV5-821	O-RING .....	-	-	1	-	----- SWD,SWD/A	
42	91303-762-801	O-RING .....	-	-	1	-	----- SWD,SWD/A	
43	91304-ZV5-821	O-RING .....	-	-	2	-	----- SWD,SWD/A	
44	91305-ZV5-822	O-RING .....	-	-	2	-	----- SWD,SWD/A	
45	91306-ZV5-821	O-RING .....	-	-	1	-	----- SWD,SWD/A	
46	91307-ZV5-821	O-RING .....	-	-	1	-	----- SWD,SWD/A	
47	91308-ZV5-821	O-RING .....	-	-	1	-	----- SWD,SWD/A	
48	91309-ZV5-821	O-RING .....	-	-	1	-	----- SWD,SWD/A	
49	91310-ZV5-821	O-RING .....	-	-	1	-	----- SWD,SWD/A	
50	91311-ZV5-822	O-RING .....	-	-	1	-	----- SWD,SWD/A	
51	91317-ZV5-821	O-RING .....	-	-	1	-	----- SWD,SWD/A	
52	91318-762-801	O-RING .....	-	-	1	-	----- SWD,SWD/A	
53	91351-766-801	O-RING .....	-	-	1	-	----- SWD,SWD/A	
54	91351-797-631	O-RING, 10.82X1.78 .....	-	-	1	-	----- SWD,SWD/A	

EOP-1

GASKET KIT

**K16**



HENG-X0003

Ref. No.	L.O.N.	(Relative ref. Number) Description	F.R.T.
----------	--------	------------------------------------	--------

NO INFORMATION .....

**2**

Ref. No.	Part No.	Description	Reqd. QTY				Serial No.	Parts catalogue code
			GX 610 (1)	GX 610 (2)	GX 610 K1 (3)	GX 610 (3)		
1	061A1-ZJ1-000	GASKET KIT (###) .....	1	-	-	-	----- PZE,QAC6,QAF,QAF2,QDA1,QDE,QDE1,QDE6,QDF,QDF2,QDF6,QDW,QXE4,QXF6,QYF,QZA,QZA1,QZA6,QZB,QZD,QZD1,QZE,QZE4,QZE6,QZF,QZF1,QZF6,QZX4,TFX2,VXA3,VXE,VXE1,VXE3,VXE4,VZA,VZA1,VZA4	
			-	1	-	1		













# PART NAME INDEX

Part name	Address	Page	Ref.	Part name	Address	Page	Ref.	Part name	Address	Page	Ref.
[ A ]				BEARING C, CONNECTING ROD .....	E5	47	5	BOLT, FLANGE, 6X25 .....	E16	58	27
ALERT UNIT, OIL .....	F13	71	15	BEARING C, MAIN .....	D6	32	5		H9	99	8
ARMATURE COMP. ....	I11	117	12		D11	37	4		I7	113	11
	I13	119	6	BEARING D, CONNECTING ROD .....	E6	48	5	BOLT, FLANGE, 6X28 .....	D16	42	20
	K14	152	3	BEARING E, CONNECTING ROD .....	E6	48	5		G15	89	11
ARM COMP., CONTROL .....	J9	131	8	BEARING F, CONNECTING ROD .....	E6	48	5		H1	91	26
ARM COMP., GOVERNOR .....	I16	122	7	BEARING G, CONNECTING ROD .....	E6	48	5	BOLT, FLANGE, 6X32 .....	D1	27	18
	J3	125	38	BEARING, NEEDLE, 8X12X10 .....	D9	35	15		D7	33	18
	J4	126	4	BEARING, NEEDLE, 8X12.7X11.1 ..	D9	35	14		D9	35	13
	J12	134	4	BEARING, RADIAL BALL, 6003 .....	D7	33	27		I7	113	9
ARM, GOVERNOR .....	J6	128	4		D10	36	26				10
	J8	130	4	BOLT, AIR CLEANER .....	G9	83	12				11
	J13	135	4		G12	86	13		K3	141	23
ARM, VALVE ROCKER .....	E8	50	5	BOLT, CONNECTING ROD .....	H1	91	19	BOLT, FLANGE, 6X35 .....	D13	39	29
ARRESTER, SPARK .....	E15	57	4	BOLT, CONNECTING ROD, 6X37 .....	E6	48	6		D16	42	20
	H3	93	11	BOLT, DRAIN PLUG, 14MM .....	E7	49	6		I7	113	9
	H5	95	11		D7	33	23	BOLT, FLANGE, 6X50 .....	H7	97	11
	H7	97	13	BOLT, ENGINE SETTING .....	D9	35	20	BOLT, FLANGE, 6X75 .....	D7	33	26
	H8	98	4		K12	150	8		D10	36	25
	K12	150	3	BOLT, FLANGE, 10X130 .....	D2	28	20	BOLT, FLANGE, 6X8 .....	F7	65	14
ATTACHMENT .....	K14	152	12	BOLT, FLANGE, 10X75 .....	D1	27	19		F9	67	21
[ B ]				BOLT, FLANGE, 10X80 .....	D4	30	25		F13	71	27
BALL, STEEL .....	K15	153	37	BOLT, FLANGE, 5X16 .....	E15	57	19		H3	93	7
BALL, STEEL, .....	D12	38	23	BOLT, FLANGE, 6MM .....	F9	67	18		H5	95	7
	E1	43	30	BOLT, FLANGE, 6X10 .....	F7	65	14		H6	96	8
BALL, STEEL, 18 .....	E10	52	27		F9	67	28		H7	97	9
BAND .....	K1	139	10	BOLT, FLANGE, 6X105 .....	K3	141	21		H8	98	6
BAND ASSY. ....	H3	93	6		G1	75	26		H13	103	14
	H5	95	6		G2	76	13		I7	113	15
	H6	96	7	BOLT, FLANGE, 6X12 .....	F9	67	13		K12	150	11
	K12	150	4		F13	71	17	BOLT, FLANGE, 8X110 .....	I11	117	10
BAND, AIR CLEANER CONNECTING TUBE	G9	83	10		G12	86	18		I15	121	22
			11		H1	91	24	BOLT, FLANGE, 8X14 .....	H3	93	8
	G11	85	10		I4	110	13		H5	95	8
	G12	86	16	BOLT, FLANGE, 6X120 .....	J2	124	25		H7	97	10
	H1	91	22	BOLT, FLANGE, 6X14 .....	J5	127	19		H8	98	7
			23		K3	141	22		K12	150	12
BAND, WIRE HARNESS .....	K15	153	36	BOLT, FLANGE, 6X120 .....	G6	80	27	BOLT, FLANGE, 8X16 .....	F9	67	29
BAND, WIRE HARNESS, 150MM .....	K2	140	16	BOLT, FLANGE, 6X14 .....	D4	30	19		H10	100	17
BARREL ASSY., CYLINDER .....	D6	32	1		H11	101	26		I4	110	14
	D8	34	1		H13	103	15				17
	D10	36	27		H15	105	8	BOLT, FLANGE, 8X20 .....	D4	30	24
BASE COMP., OIL FILTER .....	D12	38	26	BOLT, FLANGE, 6X16 .....	J7	129	18		H1	91	27
	D13	39	26		J10	132	19		H3	93	9
	D15	41	9		J12	134	13		H5	95	9
BASE, CLIP .....	H10	100	21	BOLT, FLANGE, 6X18 .....	J13	135	13		H8	98	8
	H12	102	6		D7	33	17	BOLT, FLANGE, 8X25 .....	K12	150	13
BASE, OIL FILTER .....	D15	41	10	BOLT, FLANGE, 6X20 .....	D9	35	12		H10	100	18
BEARING A .....	I15	121	18		H1	91	25	BOLT, FLANGE, 8X30 .....	H10	100	19
BEARING A, CONNECTING ROD .....	E5	47	5	BOLT, FLANGE, 6X18 .....	G10	84	17	BOLT, FLANGE, 8X50 .....	D12	38	22
BEARING A, MAIN .....	D6	32	5	BOLT, FLANGE, 6X20 .....	D12	38	21		E1	43	29
	D11	37	4		E1	43	28		H7	97	17
BEARING B, CONNECTING ROD .....	E5	47	5	BOLT, FLANGE, 6X23 .....	F9	67	17		I4	110	20
BEARING B, MAIN .....	D6	32	5		H9	99	9	BOLT, FLANGE, 8X55 .....	H7	97	11
	D11	37	4		F9	67	14				17
			4	BOLT, FLANGE, 6X25 .....	F13	71	18	BOLT, GOVERNOR ARM .....	J2	124	26
			4		G9	83	13		J5	127	20
			4		H9	99	8		J7	129	19
			4		D1	27	13		J10	132	20

# PART NAME INDEX

M 2

Part name	Address	Page	Ref.	Part name	Address	Page	Ref.	Part name	Address	Page	Ref.
BOLT, GOVERNOR ARM .....	J12	134	14	CAMSHAFT COMP. ....	E8	50	3	CLIP, PISTON PIN, 18MM .....	E7	49	7
	J13	135	14	CAP ASSY., NOISE SUPPRESSOR ...	I6	112	4	CLIP, PURSE LOCK .....	G5	79	23
BOLT, HEAD COVER .....	D4	30	18	CAP COMP., FUEL FILLER .....	H9	99	5		J14	136	6
BOLT, HEX., 3/8-24UNF .....	E2	44	6	CAP COMP., IN. ....	G11	85	11	CLIP, TUBE .....	D5	31	28
BOLT, PIVOT, 8MM .....	E15	57	20		G16	90	14				
BOLT, RECESSED .....	K15	153	27	CAP, CHOKE DUST .....	F15	73	12		F16	74	24
BOLT, RECESSED, 4X6 .....	J7	129	24		G2	76	5		G6	80	26
	J13	135	17		G4	78	11		H10	100	15
BOLT, RECESSED, 5X16 .....	J7	129	21	CAP, OIL .....	D1	27	9		H13	103	11
				CAP, OIL FILLER .....	D3	29	11		H16	106	12
				CAP, OIL HOLE .....	K14	152	1				
	J13	135	18								
BOLT, RECESSED, 5X25 .....	J7	129	23	CARBURETOR ASSY. ....	F15	73	11		I1	107	14
	J11	133	22		G2	76	4				
	J12	134	15	CARTRIDGE, OIL FILTER .....	G4	78	10				
	J13	135	19		D6	32	7		K10	148	24
BOLT, SEALING .....	D11	37	3		D12	38	25	CLIP, VALVE GUIDE .....	D1	27	4
	D13	39	32		D15	41	8		D3	29	5
	D14	40	3	CASE COMP., AIR CLEANER .....	G9	83	5	CLIP, WIRE HARNESS .....	F13	71	21
	E1	43	33		G14	88	4		H13	103	7
BOLT, SEALING, 12MM .....	D12	38	15		G16	90	5		H15	105	9
BOLT, SEALING, 20MM .....	D6	32	6	CASE COMP., RECOIL STARTER ....	F5	63	2		I1	107	17
BOLT, SOCKET .....	K15	153	28		F6	64	2				
				CASE, CONTROL .....	J15	137	1		I7	113	12
				CHAMBER SET, FLOAT .....	F14	72	6				
BOLT, SOCKET, 6X16 .....	D12	38	24		G3	77	6				
	E1	43	31	CIRCLIP, 5MM .....	G7	81	29		K3	141	25
BOLT, SOCKET, 8X45 .....	D4	30	17		J2	124	28				
BOLT, SPECIAL, 5MM .....	G15	89	10		J5	127	23	CLIP, WIRE HARNESS, 6MM .....	J14	136	4
BOLT, STUD, 6X71 .....	F13	71	19		J7	129	20	CLUTCH COMP., OVERRUNNING .....	I13	119	7
BOLT, STUD, 6X75 .....	F9	67	15		J13	135	16	COCK ASSY., FUEL .....	H9	99	1
BOLT, STUD, 8X22 .....	D4	30	20	CIRCLIP, EXTERNAL, 17MM .....	E10	52	28		K10	148	20
BOLT, STUD, 8X25 .....	D1	27	15	CIRCLIP, INTERNAL .....	K15	153	35		K13	151	8
BOLT, THROUGH .....	I11	117	18	CLAMPER, CORD .....	D7	33	11	COIL ASSY., CHARGE .....	I6	112	5
	I13	119	11		D9	35	8		I7	113	6
BOLT, UBS, 12X28 .....	I3	109	9	CLAMP ASSY. ....	G12	86	12		I8	114	17
BOX ASSY., CONTROL .....	J16	138	7		G16	90	15	COIL ASSY., IGNITION .....	I5	111	1
BRACKET ASSY. ....	K14	152	5	CLAMP, CORD .....	I8	114	16		I6	112	1
BRACKET COMP., FR. ....	I11	117	16	CLAMP, P.T.O. CABLE .....	H11	101	24				
BRACKET, CABLE CLIP .....	F9	67	25		H13	103	7		I8	114	19
	F13	71	28	CLAMP, TUBE .....	D5	31	31		I9	115	19
BRACKET, CASE MOUNTING .....	J15	137	2		G7	81	31	COIL ASSY., POWER .....	I6	112	5
BRACKET, HARNESS CLIP .....	D5	31	27		H13	103	12	COLLAR A, AIR CLEANER .....	G15	89	9
BRACKET, REGULATOR RECTIFIER ..	K4	142	27	CLEANER ASSY., AIR .....	G11	85	1		G16	90	11
BRACKET, STARTER MAGNETIC				CLIP .....	F9	67	27	COLLAR B, TAILLIGHT .....	F9	67	12
SETTING	I10	116	2	CLIP B, CABLE .....	F16	74	22		F13	71	14
BRACKET, WIRE HARNESS CLIP ...	F13	71	13	CLIP, AIR CLEANER .....	G13	87	3	COLLAR SET, CLUTCH STOP .....	I12	118	2
	J16	138	5	CLIP, BREATHER TUBE .....	F14	72	2	COLLAR, AIR CLEANER CASE .....	G10	84	14
BRUSH .....	I13	119	8		G2	76	2	COLLAR, C.D.I. UNIT CASE .....	K13	151	14
BRUSH SET .....	I11	117	14	CLIP, CORD .....	G3	77	2	COLLAR, DISTANCE .....	F16	74	21
BULB, WEDGE BASE .....	K11	149	32		I7	113	13		G2	76	11
BUSH, LINKAGE .....	J10	132	18	CLIP, FUEL TUBE .....	F9	67	26	COLLAR, FILTER SETTING .....	D7	33	10
	J12	134	12		H11	101	25		D9	35	7
BUSH, LOWER CYLINDER .....	K15	153	26	CLIP, GOVERNOR HOLDER .....	E1	43	23	COLLAR, FR. ENGINE HANGER .....	H9	99	7
BUSH, UPPER CYLINDER .....	K15	153	25		E15	57	23	COLLAR, FUEL PUMP DISTANCE .....	K13	151	3
				CLIP, HARNESS .....	I8	114	18				
[ C ]				CLIP, PISTON PIN, 18MM .....	E6	48	8	COLLAR, MUFFLER MOUNTING .....	H10	100	23
CAMSHAFT ASSY. ....	E8	50	2					COLLAR, STOPPER .....	J1	123	21
	E15	57	2						J7	129	13

4

# PART NAME INDEX

**M 3**

Part name	Address	Page	Ref.	Part name	Address	Page	Ref.	Part name	Address	Page	Ref.
COLLAR, STOPPER .....	J9	131	13	DOWEL PIN, 10X12 .....	I11	117	9	GROMMET, CORD .....	F9	67	23
CONTROL ASSY. ....	I16	122	3		I15	121	21		H10	100	20
	J4	126	2	DOWEL PIN, 12X20 .....	D1	27	17		H12	102	5
	J6	128	2		D4	30	23	GROMMET, FUEL STRAINER .....	K13	151	12
	J8	130	2	DOWEL PIN, 8X12 .....	E15	57	24	GROMMET, HIGH TENSION CORD .....	I6	112	2
	J12	134	2	DOWEL PIN, 8X14 .....	D12	38	20	GROMMET, PUMP STAY .....	H15	105	10
	J13	135	2		E1	43	27	GROMMET, RELAY .....	K13	151	11
CORD, MAGNET SWITCH .....	I10	116	3					GROMMET, RESERVE TANK .....	G16	90	17
COVER .....	I13	119	10	[ E ]					H15	105	7
COVER ASSY., AIR CLEANER .....	G14	88	6	ELBOW COMP., AIR CLEANER .....	F16	74	20	GROMMET, TOOL .....	I7	113	8
COVER ASSY., CRANKCASE .....	D11	37	1		G2	76	10	GUIDE SET, ROD .....	K14	152	8
	D14	40	1		G5	79	20	GUIDE, EX. VALVE .....	D1	27	3
	E1	43	32	ELEMENT COMP., AIR CLEANER .....	G11	85	5		D3	29	3
COVER ASSY., OIL PUMP .....	D11	37	5		G13	87	1	GUIDE, IN. VALVE .....	D3	29	2
	D14	40	4		G16	90	4	GUIDE, SPRING .....	K14	152	22
COVER A, MAGNETIC SWITCH .....	I10	116	4	ELEMENT SET, AIR CLEANER .....	G8	82	1	[ H ]			
COVER COMP., AIR CLEANER .....	G11	85	6	EMBLEM .....	K5	143	2	HANDLE, BOX WRENCH .....	K13	151	13
	G16	90	9		K7	145	1	HANGER, ENGINE .....	D3	29	1
COVER, AIR CLEANER .....	G9	83	6	END, LOCK .....	K13	151	4	HARNESS ASSY., REGULATOR			
COVER, BREATHER .....	D6	32	2	[ F ]				RECTIFIER	K4	142	29
	D8	34	2	FAN, COOLING .....	I2	108	1	HARNESS ASSY., SUB WIRE .....	J16	138	6
COVER, FAN .....	F8	66	1		K14	152	11		K11	149	28
			2	FILTER B .....	G8	82	4	HEAD COMP., CYLINDER .....	D1	27	1
			3	FILTER, OUTER .....	G13	87	2		D3	29	4
	F10	68	3	FLOAT SET .....	F14	72	5				6
			4		G3	77	5	HEAD COMP., L. CYLINDER .....	D1	27	2
COVER, FUEL PUMP .....	F10	68	1	FLYWHEEL COMP. ....	I3	109	7	HEAD COMP., R. CYLINDER .....	D1	27	1
			2				8	HEIGHT ASSY., POWER .....	K14	152	7
	H12	102	3	FORK, GOVERNOR .....	D11	37	12	HOLDER COMP., AIR CLEANER			
COVER, HEAD .....	D1	27	6	FUSE, BLADE .....	K3	141	24	LOWER	G11	85	4
	D3	29	8		K10	148	17		G16	90	3
COVER, HEAD FILLER .....	D1	27	7	[ G ]				HOLDER COMP., AIR CLEANER			
	D3	29	9	GASKET KIT .....	K16	154	1	UPPER	G11	85	3
COVER, OIL FILTER .....	D11	37	8	GASKET SET .....	F14	72	3		G16	90	2
	D14	40	7		G3	77	3	HOLDER COMP., BRUSH .....	I11	117	15
COVER, RECOIL STARTER STAY ...	F12	70	12	GASKET, CASE COVER .....	D14	40	2	HOLDER, BRUSH .....	I14	120	15
	F13	71	12	GASKET, CYLINDER HEAD .....	D1	27	5	HOLDER, CABLE .....	J1	123	15
COVER, R. SIDE PLATE .....	F9	67	7		D3	29	7		J4	126	11
COVER, STARTING MOTOR TERMINAL	I10	116	5	GASKET, EX. PIPE .....	D1	27	12		J6	128	8
COVER, TERMINAL .....	I15	121	17		D4	30	15		J7	129	27
CRANKSHAFT COMP. ....	E2	44	1	GASKET, INTAKE MANIFOLD .....	D1	27	11	HOLDER, CHOKE KNOB .....	J13	135	8
			2		D4	30	14		J5	127	17
			3	GAUGE COMP., OIL LEVEL .....	D11	37	10	HOLDER, DECOMPER PIN .....	E8	50	9
			8		D15	41	12	HOLDER, GOVERNOR WEIGHT .....	D15	41	15
			9	GEAR SET, PINION .....	I11	117	11		E9	51	18
	E3	45	10	GOVERNOR ASSY. ....	D15	41	13	HOLDER, OIL FILTER .....	D7	33	16
			12	GRID, SCREEN .....	I2	108	4		D13	39	30
	E4	46	1		I4	110	8		D16	42	21
			2	GRIP, REINFORCEMENT .....	F7	65	12	HOLDER, SCREEN GRID .....	I3	109	6
			3	GRIP, STARTER .....	F7	65	10	HOLDER, STOP SWITCH CORD .....	K1	139	13
			4	GROMMET .....	G16	90	18	HOLDER, WIRE .....	J1	123	19
CUP, FUEL STRAINER .....	K10	148	22	GROMMET, AIR CLEANER .....	G9	83	7		J5	127	14
[ D ]					G11	85	7		J7	129	12
DEFLECTOR, MUFFLER .....	H7	97	14		G16	90	10		J13	135	11
DIODE ASSY., ENGINE STOP .....	I7	113	7								

# PART NAME INDEX

M 4

Part name	Address	Page	Ref.	Part name	Address	Page	Ref.	Part name	Address	Page	Ref.
HOOD, FAN COVER .....	F9	67	6	LEVER, WIRE .....	J1	123	20	NUT, FLANGE, 6MM.....	F13	71	26
HOSE, AIR CLEANER .....	G9	83	8		J5	127	15		I11	117	7
HOSE, FUEL, 4.5X500 .....	G7	81	30	LIFTER ASSY., VALVE .....	E15	57	10		J3	125	35
				LIFTER, VALVE.....	E8	50	6		J5	127	29
[ I ]									J7	129	26
INSULATOR, BRUSH HOLDER .....	I15	121	16	[ M ]					J11	133	24
INSULATOR, CARBURETOR .....	F16	74	17	MANIFOLD COMP., INTAKE .....	D4	30	13		J12	134	17
	G2	76	6	MANIFOLD, INTAKE .....	D1	27	10	NUT, FLANGE, 8MM.....	D1	27	16
	G5	79	17		D3	29	13		D4	30	22
				MARK .....	K9	147	20		H10	100	12
[ J ]				MARK, CAUTION.....	K5	143	4	NUT, HEX.....	K15	153	32
JET SET, .....	F15	73	13		K6	144	16	NUT, HEX., 4MM.....	K3	141	19
	G5	79	12		K7	145	3	NUT, HEX., 5MM.....	J3	125	34
JET SET, MAIN, .....	G1	75	27	MARK, CONTROL BOX .....	K1	139	14		J5	127	28
	G6	80	28		K2	140	14	NUT, HEX., 8MM.....	I14	120	13
	G7	81	28	MARK, ENGINE SWITCH .....	K6	144	19		I15	121	19
JET, MAIN, .....	G1	75	27	MARK, EX. GAS WARNING.....	K6	144	18	NUT, INSERT, 6MM.....	G5	79	21
	G7	81	28		K8	146	10	NUT, PIVOT ADJUSTING.....	E15	57	21
JOINT ASSY., CONNECTING TUBE ..	G16	90	16	MARK, FUEL WARNING .....	K6	144	15	NUT, SELF-LOCK, 6MM.....	J2	124	27
JOINT, DRIVE .....	K14	152	9		K7	145	2		J5	127	22
JOINT, FUEL TANK .....	H9	99	2	MARK, HEAT CAUTION .....	K6	144	17		J10	132	21
JOINT, ROD .....	I16	122	1		K8	146	9	NUT, SPECIAL CAP.....	J14	136	3
	J4	126	1	MARK, OIL ALERT .....	K5	143	6	NUT, SPRING, 6MM.....	F9	67	19
	J6	128	1					NUT, SQUARE, 5MM.....	F13	71	20
	J8	130	1		K8	146	6	NUT, TAPPET ADJUSTING.....	E10	52	25
	J12	134	1					NUT, WING, 6MM.....	G12	86	14
	J13	135	1	MARK, OPERATOR CAUTION .....	K7	145	5		H1	91	20
					K8	146	5	[ O ]			
[ K ]				MARK, THROTTLE INDICATION .....	K5	143	7	OIL SEAL.....	K15	153	38
KEY ASSY., COMBINATION SWITCH	K12	150	6		K8	146	8	OIL SEAL, 10X16X4.5.....	D12	38	17
KEY COMP. ....	K1	139	12	MOTOR ASSY., POWER TILT .....	K14	152	4	OIL SEAL, 38X58X11.....	D7	33	20
	K10	148	13	MOTOR ASSY., STARTER .....	I10	116	1		D12	38	16
KEY, 6.3X6.3X43 .....	E2	44	5	MUFFLER COMP. ....	I12	118	3	OIL SEAL, 38X58X9.....	D9	35	17
KEY, 7X7X33 .....	E2	44	5		H2	92	2		E1	43	24
KEY, SPECIAL WOODRUFF, 25X18 ..	I3	109	12		H4	94	2	OIL SEAL, 8X14X5.....	D9	35	16
KNOB, CHOKE .....	J2	124	24		H6	96	2	O-RING.....	G5	79	14
	J5	127	18	MUFFLER KIT .....	K12	150	1		K15	153	39
	J10	132	17		H2	92	1				40
	J12	134	11		H4	94	1				41
					H6	96	1				42
[ L ]				[ N ]							43
LABEL, CAUTION .....	K5	143	5	NOZZLE, MAIN .....	F15	73	14				44
	K9	147	19		F16	74	14				45
LABEL, E-SPEC .....	K8	146	17		G5	79	13				46
	K9	147	17	NUT-WASHER, 6MM .....	I11	117	8				47
LABEL, FUEL CAUTION .....	K5	143	6	NUT SET, TERMINAL .....	I11	117	17				48
	K6	144	20	NUT, CONNECTING ROD .....	E6	48	7				49
LABEL, SPECIFICATION .....	K5	143	3	NUT, FLANGE, 10MM .....	D7	33	24				50
	K7	145	4		D9	35	21				51
LABEL, WARNING .....	K9	147	18	NUT, FLANGE, 20MM .....	I3	109	10				52
LENS .....	K11	149	34	NUT, FLANGE, 5MM.....	F13	71	24	O-RING, 10.82X1.78.....	K15	153	54
LEVER ASSY., THROTTLE .....	J9	131	16		I14	120	14	O-RING, 11.8X2.4.....	D13	39	31
LEVER COMP., CONTROL .....	J1	123	12	NUT, FLANGE, 6MM .....	F7	65	15		E1	43	25
LEVER, FUEL COCK .....	K10	148	21		F9	67	20	O-RING, 13X3.0.....	D7	33	28
LEVER, PINION DRIVE .....	I12	118	4		F13	71	25		D9	35	18

4

# PART NAME INDEX

M 5

Part name	Address	Page	Ref.	Part name	Address	Page	Ref.	Part name	Address	Page	Ref.
O-RING, 13X3.0 .....	D12	38	18	PLATE, PUSH ROD GUIDE .....	E15	57	18	ROD, GOVERNOR .....	J12	134	5
O-RING, 14MM .....	D7	33	22	PLATE, SIDE .....	F8	66	4		J13	135	5
	D9	35	19					ROD, PUSH .....	E8	50	4
	H9	99	10		F11	69	6		E15	57	3
O-RING, 26X2.7 .....	D1	27	14				7	ROPE, RECOIL STARTER .....	F7	65	11
O-RING, 5.8X1.9 .....	F16	74	15	PLATE, SOLENOID .....	J14	136	1	ROTATOR, VALVE .....	E15	57	17
	G5	79	14	PLUG COMP. ....	K14	152	20	ROTOR, OIL PUMP OUTER .....	D11	37	6
				PLUG, FAN COVER HOLE .....	F9	67	8		D14	40	5
[ P ]				PLUG, SPARK .....	D2	28	21	RUBBER, AIR CLEANER HOLDER			
					D4	30	26	UPPER	G16	90	1
PACKING A, ELEMENT .....	G8	82	2	PROTECTOR, FAN COVER .....	F13	71	29	RUBBER, AIR CLEANER UPPER			
PACKING B, ELEMENT .....	G8	82	3	PROTECTOR, MUFFLER .....	H2	92	3	HOLDER	G11	85	2
PACKING, AIR CLEANER .....	F16	74	19		H4	94	3	RUBBER, FUEL PUMP MOUNTING .....	K13	151	2
	G2	76	9		H6	96	3	RUBBER, RR. FENDER CUSHION .....	F13	71	16
	G5	79	19		H8	98	2	RUBBER, SUPPORTER .....	G2	76	8
PACKING, BREATHER COVER .....	D6	32	3		K12	150	2				
	D8	34	3	PROTECTOR, RR. MUFFLER .....	H6	96	4	[ S ]			
PACKING, CARBURETOR .....	F16	74	18	PULLEY, RECOIL STARTER .....	F6	64	3	SCREEN, OIL FILTER .....	D11	37	9
	G2	76	7	PULLEY, STARTER .....	I2	108	3		D15	41	11
	G5	79	18	PUMP .....	K14	152	10	SCREW-WASHER .....	F15	73	10
PACKING, CASE COVER .....	D11	37	2	PUMP ASSY., FUEL .....	H12	102	1	SCREW-WASHER, 4X14 .....	G5	79	24
PACKING, FUEL FILLER CAP .....	H9	99	6		H14	104	1	SCREW-WASHER, 4X8 .....	D9	35	11
PACKING, FUEL STRAINER CUP .....	K10	148	19		K13	151	1		D12	38	14
PACKING, HEAD COVER .....	D1	27	8				15	SCREW-WASHER, 4X8 .....	D13	39	28
	D3	29	10	PURSE, LOCK, 8MM .....	J14	136	5		F16	74	23
PACKING, OIL FILLER CAP .....	D3	29	12					SCREW-WASHER, 5X12 .....	G6	80	25
PACKING, PROTECTOR .....	G10	84	18	[ R ]				SCREW-WASHER, 5X14 .....	H10	100	11
PANEL COMP., CONTROL .....	K1	139	8	RATCHET, STARTER .....	F6	64	4	SCREW-WASHER, 5X16 .....	G10	84	16
PIN A, DECOMPER .....	E8	50	10	RECTIFIER ASSY. ....	J15	137	4		J2	124	30
PIN B, DECOMPER .....	E8	50	10		K11	149	27	SCREW-WASHER, 6X16 .....	H16	106	11
PIN C, DECOMPER .....	E8	50	10	RECTIFIER ASSY., REGULATOR .....	J15	137	3	SCREW COMP., FUEL DRAIN .....	K13	151	9
	E9	51	10		K11	149	29	SCREW SET .....	F14	72	7
PIN D, DECOMPER .....	E8	50	10	RECTIFIER COMP., REGULATOR .....	K4	142	28		F15	73	7
	E9	51	10	RELAY ASSY., POWER HEIGHT .....	K13	151	10				9
PIN E, DECOMPER .....	E8	50	10	RETAINER, EX. VALVE SPRING .....	E15	57	15		G2	76	3
	E9	51	10	RETAINER, IN. VALVE SPRING .....	E9	51	16		G4	78	7
PIN, DECOMPER .....	E15	57	7		E15	57	14	SCREW SET, DRAIN .....	F15	73	8
PIN, GOVERNOR WEIGHT .....	D15	41	16	RETAINER, SPRING .....	F7	65	8		G4	78	8
PIN, GOVERNOR WEIGHT HOLDER .....	E9	51	20	RING SET, PISTON .....	E5	47	1	SCREW, .....	H3	93	12
PIN, LOCK, 10MM .....	J11	133	25		E7	49	1		H5	95	12
PIN, LOCK, 8MM .....	D10	36	24	RING, BACK UP .....	K14	152	17		H7	97	15
PIN, PISTON .....	E5	47	3	RING, SNAP .....	I12	118	1		H8	98	5
	E7	49	3	ROD ASSY., CONNECTING .....	E7	49	4		K12	150	7
PIN, SPRING, 6X28 .....	E16	58	26	ROD COMP., PISTON .....	K14	152	13	SCREW, CENTER .....	F7	65	13
PIPE COMP., EX. ....	H2	92	4	ROD SET, CONNECTING .....	E5	47	4	SCREW, LOCK PAN .....	J13	135	15
	H3	93	10	ROD, CHOKE CONTROL .....	J7	129	14	SCREW, OVAL, 4X32 .....	K10	148	18
	H4	94	4		J9	131	14	SCREW, PAN .....	K15	153	31
	H5	95	10		J12	134	9	SCREW, PAN, 4X12 .....	K3	141	18
	H6	96	5	ROD, CHOKE KNOB .....	J13	135	12	SCREW, PAN, 4X20 .....	G10	84	15
	H7	97	12		J1	123	22		G12	86	17
	K12	150	9		J5	127	16	SCREW, PAN, 4X6 .....	J2	124	29
PISTON .....	E5	47	2		J9	131	15		J5	127	24
	E7	49	2	ROD, DECOMPER .....	J12	134	10	SCREW, PAN, 5X10 .....	D12	38	19
PIVOT, ROCKER ARM .....	E15	57	5	ROD, GOVERNOR .....	E9	51	11	SCREW, PAN, 5X12 .....	J2	124	30
PLATE, AIR CLEANER SETTING .....	G15	89	8		I16	122	8		J5	127	25
PLATE, COOLING FAN SETTING .....	I2	108	2		J4	126	5	SCREW, PAN, 5X16 .....	J3	125	30
PLATE, GOVERNOR BOTTOM .....	E9	51	21		J6	128	5		J5	127	26
PLATE, GOVERNOR SLIDER .....	E10	52	22		J8	130	5				
PLATE, GOVERNOR WEIGHT HOLDER .....	E9	51	19								

# PART NAME INDEX

M 6

Part name	Address	Page	Ref.	Part name	Address	Page	Ref.	Part name	Address	Page	Ref.
SCREW, PAN, 5X25 .....	J3	125	31	SPRING, CONTROL ADJUSTING .....	J4	126	13	STOPPER, CONTROL LEVER .....	J3	125	40
	J5	127	27		J6	128	10	STRAINER COMP., FUEL .....	H12	102	4
	J7	129	25		J9	131	12		H15	105	6
	J11	133	23		J12	134	8		I1	107	16
SCREW, PAN, 5X28 .....	J3	125	39		J13	135	9		K13	151	6
SCREW, PAN, 5X35 .....	J12	134	16	SPRING, DECOMPER PIN HOLDER ...	E9	51	12				17
SCREW, PAN, 6X8 .....	H6	96	8	SPRING, FRICTION .....	F6	64	5	SWITCH ASSY., COMBINATION .....	K1	139	11
SCREW, RECESSED, 5X25 .....	J11	133	26	SPRING, GOVERNOR .....	J1	123	9		K10	148	12
SCREW, SPECIAL, 6X12 .....	K2	140	15				10		K12	150	5
SCREW, TAPPET ADJUSTING .....	E10	52	24		J4	126	6	SWITCH ASSY., ENGINE STOP .....	F9	67	24
SCREW, TAPPING, 4X6 .....	F9	67	16				7		H10	100	22
SCREW, TAPPING, 4X8 .....	H7	97	16		J6	128	6	SWITCH ASSY., MAGNET .....	I13	119	5
SCREW, TAPPING, 5X16 .....	F13	71	22		J9	131	6	SWITCH ASSY., OIL LEVEL .....	D7	33	12
SCREW, TAPPING, 5X20 .....	F13	71	23		J12	134	6		D9	35	9
SEAL, AIR CLEANER .....	G11	85	9		J13	135	6	SWITCH ASSY., STARTER MAGNETIC	I10	116	6
	G16	90	13	SPRING, LEVER .....	J1	123	13	SWITCH, OIL PRESSURE .....	D9	35	10
SEAL, AIR CLEANER CASE .....	G14	88	5		J4	126	9		D11	37	13
	G16	90	8		J9	131	9		D13	39	27
	K11	149	31	SPRING, RATCHET .....	F7	65	7				
SEAL, AIR CLEANER COVER .....	G15	89	7	SPRING, RELIEF VALVE .....	D11	37	7	[ T ]			
SEAL, VALVE STEM .....	E8	50	1		D14	40	6	TANK COMP., FUEL .....	H9	99	3
	E10	52	29	SPRING, RETURN .....	J3	125	37	TUBE B, FUEL .....	H15	105	4
	E15	57	1	SPRING, STARTER .....	I16	122	5		I1	107	15
SEAT, VALVE .....	K14	152	24		J4	126	3	TUBE COMP., FUEL .....	H14	104	3
SEAT, VALVE SPRING .....	E9	51	17		J6	128	3	TUBE, 4.5X460 .....	F16	74	25
	E15	57	16		J8	130	3	TUBE, AIR CLEANER CONNECTING..	G9	83	9
SHAFT COMP., VALVE LIFTER ....	E15	57	12		J12	134	3		G11	85	8
SHAFT, FR. P.T.O. .....	I4	110	19		J13	135	3		G16	90	12
SHAFT, GOVERNOR ARM .....	D8	34	6		K11	149	30	TUBE, BREATHER .....	F14	72	1
	D11	37	11	SPRING, STARTER RETURN .....	F7	65	6		G2	76	1
SHAFT, ROCKER ARM .....	E8	50	7	SPRING, THROTTLE RETURN .....	J1	123	11		G3	77	1
SHROUD .....	F9	67	9		J4	126	8	TUBE, CORD, 30MM .....	K3	141	17
			10		J6	128	7	TUBE, CORRUGATE .....	D5	31	29
			22		J9	131	7	TUBE, DIAPHRAGM .....	H15	105	5
	F11	69	8		J12	134	7	TUBE, DRAIN .....	G5	79	15
			9		J13	135	7	TUBE, FUEL .....	K10	148	23
SHROUD, HEAD .....	D4	30	16	SPRING, VALVE .....	E9	51	15	TUBE, FUEL, 4.5X110 .....	H13	103	8
SLEEVE .....	K14	152	18		E15	57	11	TUBE, FUEL, 4.5X140 .....	I1	107	15
			19	SPRING, VALVE LIFTER .....	E15	57	13	TUBE, FUEL, 4.5X260 .....	H10	100	13
SLIDER, GOVERNOR .....	D15	41	17	SPRING, WEIGHT RETURN .....	E8	50	8	TUBE, FUEL, 4.5X355 .....	H10	100	14
	D16	42	17		E15	57	6	TUBE, FUEL, 5.3X195 .....	H13	103	9
	E10	52	23	STARTER ASSY., RECOIL .....	F5	63	1	TUBE, FUEL, 5.3X220 .....	D5	31	30
SOCKET ASSY., LAMP .....	K11	149	33	STAY ASSY., AUTO THROTTLE .....	J3	125	36	TUBE, FUEL, 5.5X215 .....	H13	103	10
SOLENOID ASSY., ROTARY .....	J14	136	2	STAY A, RECOIL STARTER .....	F12	70	10	TUBE, VINYL, 11X13X100 .....	G7	81	32
SPACER .....	K14	152	14	STAY B, RECOIL STARTER .....	F12	70	11	TUBE, VINYL, 11X13X160 .....	H10	100	16
SPACER, CONTROL LEVER .....	J1	123	16	STAY COMP. A, AIR CLEANER .....	G16	90	6		H13	103	13
	J4	126	12	STAY COMP. B, AIR CLEANER .....	G16	90	7	TUBE, VINYL, 9X11X180 .....	H10	100	16
	J9	131	11	STAY COMP., FUEL TANK .....	H9	99	4				
SPACER, RECOIL STARTER				STAY, CONTROL BOX .....	K1	139	9	[ V ]			
MOUNTING	F9	67	11	STAY, FUEL PUMP .....	H12	102	2	VALVE ASSY., SOLENOID .....	F16	74	16
SPACER, STARTER PULLEY					H14	104	2		G5	79	16
MOUNTING	I3	109	5	STAY, FUEL STRAINER .....	K13	151	7	VALVE COMP., .....	K14	152	15
SPOOL COMP., VALVE .....	K14	152	16	STAY, MUFFLER .....	H2	92	5	VALVE COMP., MANUAL .....	K14	152	21
SPRING, BRUSH .....	I13	119	9		H4	94	5	VALVE SET, FLOAT .....	F14	72	4
SPRING, CABLE RETURN .....	J1	123	18		H6	96	6		G3	77	4
	J6	128	11		H8	98	3	VALVE, BREATHER .....	D6	32	4
	J13	135	10	STOPPER SET, PINION .....	K12	150	10		D8	34	4
SPRING, CONTROL ADJUSTING ....	J1	123	17		I11	117	13				



# PART NAME INDEX

M 7

Part name	Address	Page	Ref.	Part name	Address	Page	Ref.	Part name	Address	Page	Ref.
VALVE, DASHPOT CHECK .....	G2	76	12								
VALVE, EX. ....	E9	51	14								
	E15	57	9								
VALVE, IN. ....	E9	51	13								
	E15	57	8								
VALVE, OIL SHUT-OFF .....	D6	32	9								
	D8	34	5								
[ W ]											
WASHER COMP., HEAD COVER .....	D4	30	21								
WASHER, 10.5X40X4 .....	E2	44	7								
WASHER, 20MM .....	I3	109	11								
WASHER, 6X16 .....	D16	42	22								
WASHER, AIR CLEANER .....	G12	86	15								
	H1	91	21								
WASHER, CONTROL ARM .....	J9	131	10								
WASHER, CONTROL LEVER .....	J1	123	14								
	J4	126	10								
WASHER, CRANKSHAFT THRUST .....	E3	45	11								
WASHER, DRAIN PLUG, 14MM .....	D7	33	25								
	D10	36	23								
WASHER, PLAIN .....	K15	153	33								
WASHER, PLAIN, 6MM .....	E1	43	26								
	E16	58	25								
WASHER, PLAIN, 8MM .....	D10	36	22								
WASHER, SEAL .....	K15	153	34								
WASHER, SEALING, 20MM .....	D7	33	19								
WASHER, SPRING, 4MM .....	K3	141	20								
WASHER, SPRING, 6MM .....	H3	93	13								
WASHER, SPRING, 8MM .....	I15	121	20								
WASHER, THRUST .....	I11	117	19								
WASHER, THRUST, 17.2MM .....	E10	52	26								
	E15	57	22								
WEIGHT, GOVERNOR .....	D15	41	14								
WIRE, LOCK .....	K13	151	5								
WRENCH COMP., SPARK PLUG .....	K11	149	26								
WRENCH, BOX .....	K11	149	26								
[ Y ]											
YOKE COMP. ....	I11	117	20								
	I14	120	12								
	K14	152	6								



---

**1**

**FOREWORD INDEX**

---

**2**

**ENGINE GROUP**

---

**3**

**PART NUMBER INDEX**

---

**4**

**PART NAME INDEX**

---



**HONDA**  
The Power of Dreams



# PARTS CATALOGUE NEWS

Honda Motor Co., Ltd. Service Division

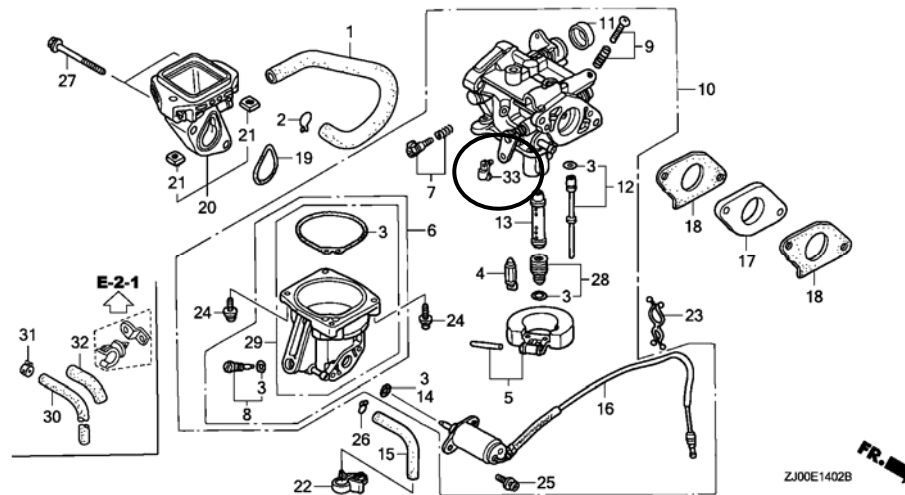
## PARTS CATALOGUE - CORRECTED

Printed in Japan

CODE NO.	BOOKLET TYPE	13ZJ00E2
	MICRO-FICHE	13ZJ00EB/FB
PARTS CATALOGUE TITLE	GX610 GX610K1 GX610[PROPANE ENGINE]	
NEWS NO.	001	

Block No.	Ref. No.	Note	Part No.	Description	Reqd. QTY				Serial No.	Parts catalogue code
					GX 610 (1)	GX 610 (2)	GX 610 K1	GX 610 (3)		

E-14-2 CARBURETOR (3)



E-14-2	33	D	16126-ZJ1-841	ARM, THROTTLE LINKAGE .....	-	-	1	-	
--------	----	---	---------------	-----------------------------	---	---	---	---	--

NOTE A:PART NO. CHANGE D:NEWLY PROVIDED E:PART NO.DELETION K:REQUIRED NO. CORRECTION L:APPLICATION SERIAL NO. CORRECTION  
T:APPLICATION CORRECTION Z:REMARKS CHANGE



# PARTS CATALOGUE NEWS

Honda Motor Co., Ltd. Service Division

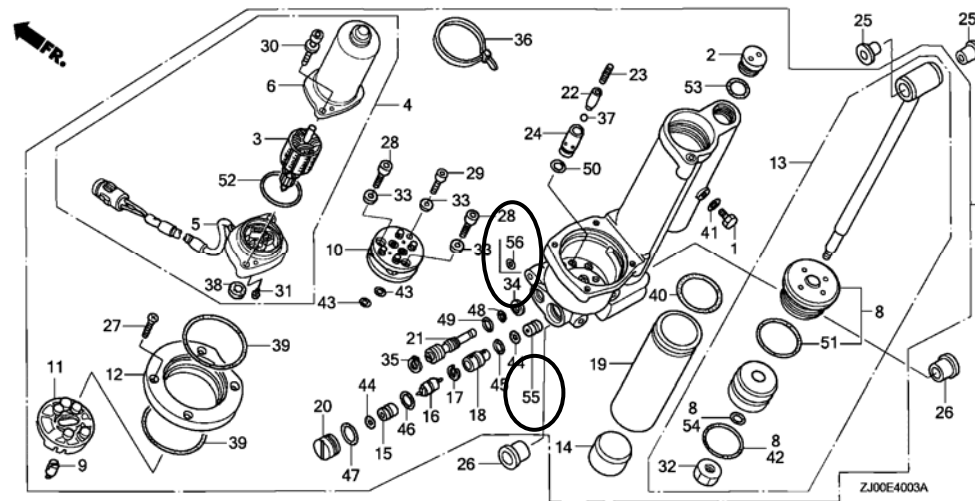
## PARTS CATALOGUE - CORRECTED

Printed in Japan

CODE NO.	BOOKLET TYPE	13ZJ00E2
	MICRO-FICHE	13ZJ00EB/FB
PARTS CATALOGUE TITLE	GX610 GX610K1 GX610[PROPANE ENGINE]	
NEWS NO.	002	

Block No.	Ref. No.	Note	Part No.	Description	Reqd. QTY				Serial No.	Parts catalogue code
					GX 610 (1)	GX 610 (2)	GX 610 K1	GX 610 (3)		

E-40-3 OTHER PARTS (4)



E-40-3	7	56000-797-A03	HEIGHT ASSY., POWER .....	- - 1 - -	SWD
--------	---	---------------	---------------------------	-----------	-----

NOTE A:PART NO. CHANGE D:NEWLY PROVIDED E:PART NO.DELETION K:REQUIRED NO. CORRECTION L:APPLICATION SERIAL NO. CORRECTION  
T:APPLICATION CORRECTION Z:REMARKS CHANGE

PARTS CATALOGUE NEWS

BOOKNo. : 13ZJ00E2

Block No.	Ref. No.	Note	Part No.	Description	Reqd. QTY				Serial No.	Parts catalogue code
					GX 610 (1)	GX 610 (2)	GX 610 K1	GX 610 (3)		
					-	-	1	-	----- 2063150	SWD/A
		A	56000-797-A04	.....	-	-	1	-	2063151 -----	SWD/A
	8		56010-797-A01	GUIDE SET, ROD .....	-	-	1	-	-----	SWD
					-	-	1	-	----- 2063150	SWD/A
		A	56010-797-A02	.....	-	-	1	-	2063151 -----	SWD/A
	13		56120-797-A01	ROD COMP., PISTON .....	-	-	1	-	-----	SWD
					-	-	1	-	----- 2063150	SWD/A
		A	56120-797-A02	.....	-	-	1	-	2063151 -----	SWD/A
	15	K	56140-ZV5-822	VALVE COMP. , (B) .....	-	-	1	-	-----	SWD, SWD/A
	16		56150-ZV5-822	SPOOL COMP. , VALVE .....	-	-	1	-	-----	SWD
					-	-	1	-	----- 2063150	SWD/A
		A	56150-V15-013	.....	-	-	1	-	2063151 -----	SWD/A
	21		56170-ZV5-821	VALVE COMP. , MANUAL .....	-	-	1	-	-----	SWD
					-	-	1	-	----- 2063150	SWD/A
		A	56170-797-A01	.....	-	-	1	-	2063151 -----	SWD/A
	22		56182-766-801	GUIDE, SPRING .....	-	-	1	-	-----	SWD
					-	-	1	-	----- 2063150	SWD/A
		A	56182-V15-003	.....	-	-	1	-	2063151 -----	SWD/A
	23		56183-797-003	SPRING, VALVE .....	-	-	1	-	-----	SWD
					-	-	1	-	----- 2063150	SWD/A
		A	56183-797-A01	.....	-	-	1	-	2063151 -----	SWD/A
	24		56191-766-801	SEAT, VALVE .....	-	-	1	-	-----	SWD
					-	-	1	-	----- 2063150	SWD/A
		A	56191-V15-013	.....	-	-	1	-	2063151 -----	SWD/A

NOTE A:PART NO. CHANGE D:NEWLY PROVIDED E:PART NO.DELETION K:REQUIRED NO. CORRECTION L:APPLICATION SERIAL NO. CORRECTION  
T:APPLICATION CORRECTION Z:REMARKS CHANGE



PARTS CATALOGUE NEWS

BOOKNo. : 13ZJ00E2

Block No.	Ref. No.	Note	Part No.	Description	Reqd. QTY				Serial No.	Parts catalogue code
					GX 610 (1)	GX 610 (2)	GX 610 K1	GX 610 (3)		
	34	L	90402-ZV5-821	WASHER, SEAL .....	-	-	1	-	-----	SWD
					-	-	1	-	----- 2063150	SWD/A
	35	L	90604-ZV5-822	CIRCLIP, INTERNAL .....	-	-	1	-	-----	SWD
					-	-	1	-	----- 2063150	SWD/A
	36		90621-766-801	BAND, WIRE HARNESS .....	-	-	1	-	-----	SWD
					-	-	1	-	----- 2063150	SWD/A
		A	90621-797-A01	.....	-	-	1	-	2063151 -----	SWD/A
	48		91309-ZV5-821	O-RING .....	-	-	1	-	-----	SWD
					-	-	1	-	----- 2063150	SWD/A
		A	91309-797-A01	.....	-	-	1	-	2063151 -----	SWD/A
	49		91310-ZV5-821	O-RING .....	-	-	1	-	-----	SWD
					-	-	1	-	----- 2063150	SWD/A
		A	91310-797-A01	.....	-	-	1	-	2063151 -----	SWD/A
	55	D	56140-ZV5-822	VALVE COMP., (B) .....	-	-	1	-	-----	SWD
					-	-	1	-	----- 2063150	SWD/A
		A	56140-797-A01	.....	-	-	1	-	2063151 -----	SWD/A
	56	D	91304-ZV5-821	O-RING .....	-	-	1	-	2063151 -----	SWD/A

NOTE A:PART NO. CHANGE D:NEWLY PROVIDED E:PART NO.DELETION K:REQUIRED NO. CORRECTION L:APPLICATION SERIAL NO. CORRECTION  
T:APPLICATION CORRECTION Z:REMARKS CHANGE



# PARTS CATALOGUE NEWS

Honda Motor Co., Ltd. Service Division

## PARTS CATALOGUE - CORRECTED

Printed in Japan

CODE NO.	BOOKLET TYPE	13ZJ00E2
	MICRO-FICHE	13ZJ00EB/FB
PARTS CATALOGUE TITLE	GX610 GX610K1 GX610[PROPANE ENGINE]	
NEWS NO.	003	

Block No.	Ref. No.	Note	Part No.	Description	Reqd. QTY				Serial No.	Parts catalogue code
					GX 610 (1)	GX 610 (2)	GX 610 K1	GX 610 (3)		
E-14-2	10		16100-ZJ0-831	CARBURETOR ASSY. (BG21H A) ...	-	-	1	-	-----	PZE, QAD2, QAF, QDE, QDF, QDF2, QDF6, QDW, QDX2, QWF, QYF, QZA, QZA6, QZB, QZB2, QZE, QZE3, QZE4, QZE6, QZF, QZF1, QZF8, VDF2, VEP4, VXE, VXE1, VXE3, VXE4, VZA, VZA1, VZE1
					-	-	1	-	----- 2063539	PZE/A, QAD2/A, QAF/A, QDE/A, QDF/A, QDF2/A, QDF6/A, QDW/A, QDX2/A, QWF/A, QYF/A, QZA/A, QZA6/A, QZB/A, QZB2/A, QZE/A, QZE3/A, QZE4/A, QZE6/A, QZF/A, QZF1/A, QZF8/A, VDF2/A, VEP4/A, VXE/A, VXE1/A, VXE3/A, VXE4/A, VZA/A, VZA1/A, VZE1/A
		A	16100-ZJ0-832	CARBURETOR ASSY. (BG21H B) ...	-	-	1	-	2063540 -----	PZE/A, QAD2/A, QAF/A, QDE/A, QDF/A, QDF2/A, QDF6/A, QDW/A, QDX2/A, QWF/A, QYF/A, QZA/A, QZA6/A, QZB/A, QZB2/A, QZE/A, QZE3/A, QZE4/A, QZE6/A, QZF/A, QZF1/A, QZF8/A, VDF2/A, VEP4/A, VXE/A, VXE1/A, VXE3/A, VXE4/A, VZA/A, VZA1/A, VZE1/A

NOTE A:PART NO. CHANGE D:NEWLY PROVIDED E:PART NO.DELETION K:REQUIRED NO. CORRECTION L:APPLICATION SERIAL NO. CORRECTION  
T:APPLICATION CORRECTION Z:REMARKS CHANGE



# PARTS CATALOGUE NEWS

Honda Motor Co., Ltd. Service Division

## PARTS CATALOGUE - CORRECTED

Printed in Japan

CODE NO.	BOOKLET TYPE	13ZJ00E2
	MICRO-FICHE	13ZJ00EB/FB
PARTS CATALOGUE TITLE	GX610 GX610K1 GX610[PROPANE ENGINE]	
NEWS NO.	004	

Block No.	Ref. No.	Note	Part No.	Description	Reqd. QTY				Serial No.	Parts catalogue code
					GX 610 (1)	GX 610 (2)	GX 610 K1	GX 610 (3)		
E-6-1	1		11300-ZJ1-842	COVER ASSY., CRANKCASE .....	-	-	1	-	----- 2063588	PZE/A, QAD2/A, QAF/A, QAF2/A, QDE/A, QDF/A, QDF2/A, QDF6/A, QDW/A, QDX2/A, QWF/A, QYF/A, QZA/A, QZA6/A, QZB/A, QZB2/A, QZE/A, QZE3/A, QZE4/A, QZE6/A, QZF/A, QZF1/A, QZF8/A, QZX5/A, TXF2/A, VEP4/A, VXE/A, VXE1/A, VXE3/A, VXE4/A, VZA/A, VZA1/A, VZA2/A, VZE1/A
		A	11300-ZJ1-843	.....	-	-	1	-	2063589 -----	PZE/A, QAD2/A, QAF/A, QAF2/A, QDE/A, QDF/A, QDF2/A, QDF6/A, QDW/A, QDX2/A, QWF/A, QYF/A, QZA/A, QZA6/A, QZB/A, QZB2/A, QZE/A, QZE3/A, QZE4/A, QZE6/A, QZF/A, QZF1/A, QZF8/A, QZX5/A, TXF2/A, VEP4/A, VXE/A, VXE1/A, VXE3/A, VXE4/A, VZA/A, VZA1/A, VZA2/A, VZE1/A
			11300-ZJ1-852	.....	-	-	1	-	----- 2063588	SWD/A, VD/A, VXD/A
		A	11300-ZJ1-853	.....	-	-	1	-	2063589 -----	SWD/A, VD/A, VXD/A
	4		15120-ZJ1-000	COVER ASSY., OIL PUMP (TWO BOLTS)	-	-	1	-	-----	PZE, QAD2, QAF, QAF2, QDE, QDF, QDF2, QDF6, QDW, QDX2, QWF, QYF, QZA, QZA6, QZB, QZB2, QZE, QZE3, QZE4, QZE6, QZF, QZF1, QZF8, QZX5, SWD, TXF2, VD, VDF2, VEP4, VXD, VXE, VXE1, VXE3, VXE4, VZA, VZA1, VZA2, VZE1

NOTE A:PART NO. CHANGE D:NEWLY PROVIDED E:PART NO. DELETION K:REQUIRED NO. CORRECTION L:APPLICATION SERIAL NO. CORRECTION  
T:APPLICATION CORRECTION Z:REMARKS CHANGE

PARTS CATALOGUE NEWS

BOOKNo. : 13ZJ00E2

Block No.	Ref. No.	Note	Part No.	Description	Reqd. QTY				Serial No.	Parts catalogue code
					GX 610 (1)	GX 610 (2)	GX 610 K1	GX 610 (3)		
					-	-	1	-	----- 2063588	PZE/A, QAD2/A, QAF/A, QAF2/A, QDE/A, QDF/A, QDF2/A, QDF6/A, QDW/A, QDX2/A, QWF/A, QYF/A, QZA/A, QZA6/A, QZB/A, QZB2/A, QZE/A, QZE3/A, QZE4/A, QZE6/A, QZF/A, QZF1/A, QZF8/A, QZX5/A, SWD/A, TXF2/A, VD/A, VDF2/A, VEP4/A, VXD/A, VXE/A, VXE1/A, VXE3/A, VXE4/A, VZA/A, VZA1/A, VZA2/A, VZE1/A
		A	15120-ZJ1-010	COVER ASSY., OIL PUMP (THREE BOLTS)	-	-	1	-	2063589 -----	PZE/A, QAD2/A, QAF/A, QAF2/A, QDE/A, QDF/A, QDF2/A, QDF6/A, QDW/A, QDX2/A, QWF/A, QYF/A, QZA/A, QZA6/A, QZB/A, QZB2/A, QZE/A, QZE3/A, QZE4/A, QZE6/A, QZF/A, QZF1/A, QZF8/A, QZX5/A, SWD/A, TXF2/A, VD/A, VDF2/A, VEP4/A, VXD/A, VXE/A, VXE1/A, VXE3/A, VXE4/A, VZA/A, VZA1/A, VZA2/A, VZE1/A
	31		96600-06016-00	BOLT, SOCKET, 6X16 .....	-	-	2	-	----- -----	PZE, QAD2, QAF, QAF2, QDE, QDF, QDF2, QDF6, QDW, QDX2, QWF, QYF, QZA, QZA6, QZB, QZB2, QZE, QZE3, QZE4, QZE6, QZF, QZF1, QZF8, QZX5, SWD, TXF2, VD, VDF2, VEP4, VXD, VXE, VXE1, VXE3, VXE4, VZA, VZA1, VZA2, VZE1
					-	-	2	-	----- 2063588	PZE/A, QAD2/A, QAF/A, QAF2/A, QDE/A, QDF/A, QDF2/A, QDF6/A, QDW/A, QDX2/A, QWF/A, QYF/A, QZA/A, QZA6/A, QZB/A, QZB2/A, QZE/A, QZE3/A, QZE4/A, QZE6/A, QZF/A, QZF1/A, QZF8/A, QZX5/A, SWD/A, TXF2/A, VD/A, VDF2/A, VEP4/A, VXD/A, VXE/A, VXE1/A, VXE3/A, VXE4/A, VZA/A, VZA1/A, VZA2/A, VZE1/A
		K	96600-06016-00	.....	-	-	3	-	2063589 -----	PZE/A, QAD2/A, QAF/A, QAF2/A, QDE/A, QDF/A, QDF2/A, QDF6/A, QDW/A, QDX2/A, QWF/A, QYF/A, QZA/A, QZA6/A, QZB/A, QZB2/A, QZE/A, QZE3/A, QZE4/A, QZE6/A, QZF/A, QZF1/A, QZF8/A, QZX5/A, SWD/A, TXF2/A, VD/A, VDF2/A, VEP4/A, VXD/A, VXE/A, VXE1/A, VXE3/A, VXE4/A, VZA/A, VZA1/A, VZA2/A, VZE1/A

NOTE A:PART NO. CHANGE D:NEWLY PROVIDED E:PART NO.DELETION K:REQUIRED NO. CORRECTION L:APPLICATION SERIAL NO. CORRECTION  
T:APPLICATION CORRECTION Z:REMARKS CHANGE

April 22, 2006



## PARTS CATALOGUE NEWS

Honda Motor Co., Ltd. Service Division

Printed in Japan

CODE NO.	BOOKLET TYPE	13ZJ00E2
	MICRO- FICHE	13ZJ00EB/FB
PARTS CATALOGUE TITLE	GX610 GX610K1 GX610[PROPANE ENGINE]	
NEWS NO.	005	

### GX610K1-QZK TYPE sales parts information

NOTE: This Parts Catalogue News explains only the parts of the different model that are produced to conform to addition of the GX610K1-QZK type.

As for the parts not listed on this Parts Catalogue News, use the parts of the GX610K1-QZF8/A type.

## • Models, parts catalogue codes and applicable serial numbers

Model	Type		Parts catalogue type	Applicable engine serial No.	Applicable carburetor identification No.
GX610K1	QZF8	Base type	QZF8/A	GCAC-2060001~9999999	BG21H A / B
	QZK	Additional type	QZK	GCAC-2060001~	BG21H B

## • Features of each type

		Base type	Additional type
Specifications	Model	GX610K1	
	Type	QZF8	QZK
Crankshaft	25mm Ø Straight		
	25.4mm Ø Straight	●	●
	28.575mm Ø Straight		
	5/16" Tapered		
	M10 Tapered		
Charge coil	12V/3A		●
	12V/20A	●	
Oil alert		●	●
Fuel tank			
Recoil starter		●	●
Control box		●	●

## PARTS CATALOGUE NEWS

BOOKNo. : 13ZJ00E2

Block No.	Ref. No.	Part No.	Description	Reqd. QTY				Base Part No.	Parts catalogue code
				GX 610 (1)	GX 610 (2)	GX 610 K1	GX 610 (3)		
E-11	1	28400-ZE3-W01ZB	STARTER ASSY., RECOIL *NH1*.....BLACK	-	-	1	-		
	2	28410-ZE3-W01ZB	CASE COMP., RECOIL STARTER *NH1*.....BLACK	-	-	1	-		
E-12-1	4	19611-ZJ1-850ZA	COVER, FAN (RECOIL STARTER) *NH1*.....BLACK	-	-	1	-		
	12	28496-ZJ1-840ZA	COVER, RECOIL STARTER STAY *NH1*.....BLACK	-	-	1	-		
E-16	2	18310-ZJ1-013	MUFFLER COMP. (HIGH) .....	-	-	(1)	-		
	3	18321-ZJ1-003	PROTECTOR, MUFFLER (HIGH) ....	-	-	(1)	-		
	5	18338-ZJ1-841	STAY, MUFFLER (HIGH) .....	-	-	(1)	-		
	6	18396-ZJ1-003	BAND ASSY. ....	-	-	(1)	-		
	8	95701-08014-00	BOLT, FLANGE, 8X14 .....	-	-	(4)	-		
	10	18330-ZJ1-841	PIPE COMP., EX. (HIGH-R) .....	-	-	(1)	-		
	11	18355-ZJ1-003	ARRESTER, SPARK .....	-	-	(1)	-		
	12	90009-ZJ1-801	SCREW, (NELSON) .....	-	-	(1)	-		
E-16-1	2	18310-ZJ1-013	MUFFLER COMP. (HIGH) .....	-	-	(1)	-		
	3	18321-ZJ1-003	PROTECTOR, MUFFLER (HIGH) ....	-	-	(1)	-		
	5	18338-ZJ1-841	STAY, MUFFLER (HIGH) .....	-	-	(1)	-		
	6	18396-ZJ1-003	BAND ASSY. ....	-	-	(1)	-		
	8	95701-08014-00	BOLT, FLANGE, 8X14 .....	-	-	(4)	-		
	10	18330-ZJ1-851	PIPE COMP., EX. (HIGH-L) .....	-	-	(1)	-		
	11	18355-ZJ1-003	ARRESTER, SPARK .....	-	-	(1)	-		
	12	90009-ZJ1-801	SCREW, (NELSON) .....	-	-	(1)	-		
E-16-2	2	18310-ZJ1-801	MUFFLER COMP. (SIDE-L) .....	-	-	(1)	-		
	3	18321-ZJ1-841	PROTECTOR, MUFFLER (SIDE-L) ..	-	-	(1)	-		

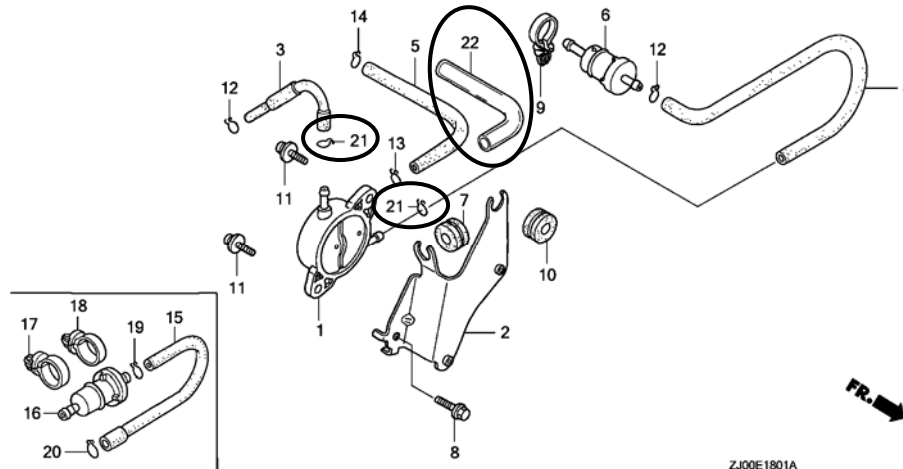
NOTE A:PART NO. CHANGE D:NEWLY PROVIDED E:PART NO.DELETION K:REQUIRED NO. CORRECTION L:APPLICATION SERIAL NO. CORRECTION  
T:APPLICATION CORRECTION Z:REMARKS CHANGE

PARTS CATALOGUE NEWS

BOOKNo. : 13ZJ00E2

Block No.	Ref. No.	Part No.	Description	Reqd. QTY				Base Part No.	Parts catalogue code
				GX 610 (1)	GX 610 (2)	GX 610 K1	GX 610 (3)		
	4	18325-ZJ1-801	PROTECTOR, RR. MUFFLER (SIDE-L)	-	-	(1)	-		
	6	18338-ZJ1-851	STAY, MUFFLER (SIDE-L)	-	-	(1)	-		
	7	18396-ZJ1-003	BAND ASSY.	-	-	(1)	-		
	8	95701-06008-00	BOLT, FLANGE, 6X8	-	-	(4)	-		
	9	95701-06008-00	BOLT, FLANGE, 6X8	-	-	3	-		
	10	95701-08014-00	BOLT, FLANGE, 8X14	-	-	(2)	-		
	11	95701-06050-00	BOLT, FLANGE, 6X50	-	-	(1)	-		
	12	18330-ZJ1-861	PIPE COMP., EX. (SIDE-L)	-	-	(1)	-		
	13	18355-ZJ1-801	ARRESTER, SPARK	-	-	(1)	-		
	15	90009-ZJ1-801	SCREW, (NELSON)	-	-	(4)	-		
	17	95701-08050-00	BOLT, FLANGE, 8X50	-	-	(1)	-		

E-18-1 FUEL PUMP (2)



ZJ00E1801A

NOTE A:PART NO. CHANGE D:NEWLY PROVIDED E:PART NO.DELETION K:REQUIRED NO. CORRECTION L:APPLICATION SERIAL NO. CORRECTION  
T:APPLICATION CORRECTION Z:REMARKS CHANGE



## PARTS CATALOGUE NEWS

BOOKNo. : 13ZJ00E2

Block No.	Ref. No.	Part No.	Description	Reqd. QTY				Base Part No.	Parts catalogue code
				GX 610 (1)	GX 610 (2)	GX 610 K1	GX 610 (3)		
E-18-1	3	16850-Z6C-841	TUBE COMP. A, FUEL (FKM) .....	-	-	1	-	16850-ZJ1-840	
	4	16852-Z6C-841	TUBE B, FUEL (FKM) .....	-	-	1	-	16852-ZJ1-840	
	12	95002-40800-08	CLAMP, TUBE (D8) .....	-	-	2	-	95002-02080	
	21	95002-40850-08	CLAMP, TUBE (D8.5) .....	-	-	2	-	95002-02100	
	22	95003-25015-20	TUBE, VINYL, 9X11X150 (95003-25001-10M)	-	-	1	-		
E-19	7		FLYWHEEL COMP. ....	-	-	0	-	31110-ZJ1-840	
	8	31110-ZJ1-850	FLYWHEEL COMP. ....	-	-	1	-		
E-20	5	31630-ZJ1-003	COIL ASSY., CHARGE (12V/3A) ..	-	-	1	-		
	6		COIL ASSY., CHARGE (12V/20A) .	-	-	0	-	31630-ZJ1-801	
	9	90014-ZE6-000	BOLT, FLANGE, 6X35 (CT200) ....	-	-	2	-		
	10		BOLT, FLANGE, 6X32 .....	-	-	0	-	90031-ZE1-000	
	14		CLIP, WIRE HARNESS .....	-	-	0	-	91504-750-003	
E-22-3	2	16500-ZJ1-851	CONTROL ASSY. ....	-	-	1	-	16500-ZJ1-850	
	8	16570-ZJ1-851	ARM COMP., CONTROL .....	-	-	1	-	16570-ZJ1-850	
E-23	3		RECTIFIER ASSY., REGULATOR (20A)	-	-	0	-	31620-ZG5-013	
	4	31710-ZJ1-811	RECTIFIER ASSY. ....	-	-	1	-		
	6		HARNESS ASSY., SUB WIRE .....	-	-	0	-	32105-ZJ1-800	
	7	32340-Z6D-831	BOX ASSY., CONTROL .....	-	-	1	-	32340-ZJ1-842	
	14	87529-Z4S-820	MARK, CONTROL BOX (EXP) .....	-	-	1	-	87529-ZE2-861	
	19	94001-04390-0S	NUT, HEX., 4MM .....	-	-	1	-	94001-04080-0S	
	23	95701-06032-00	BOLT, FLANGE, 6X32 .....	-	-	1	-		
E-28-1	2	87106-737-J00	MARK, FUEL WARNING .....	-	-	(1)	-		
	3	87150-ZH8-000	MARK, CAUTION (JAPANESE) .....	-	-	(1)	-		

NOTE A:PART NO. CHANGE D:NEWLY PROVIDED E:PART NO.DELETION K:REQUIRED NO. CORRECTION L:APPLICATION SERIAL NO. CORRECTION  
T:APPLICATION CORRECTION Z:REMARKS CHANGE

## PARTS CATALOGUE NEWS

BOOKNo. : 13ZJ00E2

Block No.	Ref. No.	Part No.	Description	Reqd. QTY				Base Part No.	Parts catalogue code
				GX 610 (1)	GX 610 (2)	GX 610 K1	GX 610 (3)		
	7		MARK, OIL ALERT (EXTERNAL) ...	-	-	0	-	87532-ZH8-810	
	8	87532-ZH7-800	MARK, THROTTLE INDICATION ....	-	-	1	-	87532-ZJ1-840	
	9	87539-737-J00	MARK, HEAT CAUTION .....	-	-	(1)	-		
	10	87561-733-J00	MARK, EX. GAS WARNING .....	-	-	(1)	-		
	17		LABEL, E-SPEC (15.5X27.5) ....	-	-	0	-	87135-ZE2-020	
	20	87516-ZM7-801	MARK, OPERATOR CAUTION .....	-	-	1	-	87637-ZM3-800	

NOTE A:PART NO. CHANGE D:NEWLY PROVIDED E:PART NO. DELETION K:REQUIRED NO. CORRECTION L:APPLICATION SERIAL NO. CORRECTION  
T:APPLICATION CORRECTION Z:REMARKS CHANGE



# PARTS CATALOGUE NEWS

Honda Motor Co., Ltd. Service Division

## PARTS CATALOGUE - CORRECTED

Printed in Japan

CODE NO.	BOOKLET TYPE	13ZJ00E2
	MICRO- FICHE	13ZJ00EB/FB
PARTS CATALOGUE NEWS	GX610 GX610K1 GX610[PROPANE ENGINE]	
NEWS NO.	006	

Block No.	Ref. No.	Note	Part No.	Description	Reqd. QTY				Serial No.	Parts catalogue code
					GX 610 (1)	GX 610 (2)	GX 610 K1	GX 610 (3)		
E-14-2	10		16100-ZJ0-852	CARBURETOR ASSY. (BG21J B) ...	-	-	1	-	-----	SWD
					-	-	1	-	-----	2063376 SWD/A
		A	16100-ZJ0-853	CARBURETOR ASSY. (BG21J C) ...	-	-	1	-	2063377	----- SWD/A
E-28-1	17	L	87135-ZE2-020	LABEL, E-SPEC (15.5X27.5) ....	-	-	1	-	-----	2063502 QWF/A, QZB/A, QZF1/A, QZF8/A, VXE1/A, VXE3/A, VZE1/A
					-	-	1	-	2024131	----- QWF, QZB, QZF1, QZF8, VXE1, VXE3, VZE1
					-	-	1	-	2024131 2042714	----- QZE3, QZE4, QZX5, VXE4

NOTE A:PART NO. CHANGE D:NEWLY PROVIDED E:PART NO. DELETION K:REQUIRED NO. CORRECTION L:APPLICATION SERIAL NO. CORRECTION  
T:APPLICATION CORRECTION Z:REMARKS CHANGE



# PARTS CATALOGUE NEWS

Honda Motor Co., Ltd. Service Division

## PARTS CATALOGUE - CORRECTED

Printed in Japan

CODE NO.	BOOKLET TYPE	13ZJ00E2
	MICRO- FICHE	13ZJ00EB/FB
PARTS CATALOGUE NEWS	GX610 GX610K1 GX610[PROPANE ENGINE]	
NEWS NO.	007	

Block No.	Ref. No.	Note	Part No.	Description	Reqd. QTY				Serial No.	Parts catalogue code
					GX 610 (1)	GX 610 (2)	GX 610 K1	GX 610 (3)		
E-6-1	32		11300-ZJ0-V21	COVER ASSY., CRANKCASE .....	-	-	1	-	----- 2063588	VDF2/A
		A	11300-ZJ0-V22	.....	-	-	1	-	2063589 -----	VDF2/A

NOTE A:PART NO. CHANGE D:NEWLY PROVIDED E:PART NO.DELETION K:REQUIRED NO. CORRECTION L:APPLICATION SERIAL NO. CORRECTION  
T:APPLICATION CORRECTION Z:REMARKS CHANGE



# PARTS CATALOGUE NEWS

Honda Motor Co., Ltd. Service Division

## PARTS CATALOGUE - CORRECTED

Printed in Japan

CODE NO.	BOOKLET TYPE	13ZJ00E2
	MICRO-FICHE	13ZJ00EB/FB
PARTS CATALOGUE NEWS	GX610 GX610K1 GX610[PROPANE ENGINE]	
NEWS NO.	008	

Block No.	Ref. No.	Note	Part No.	Description	Reqd. QTY				Serial No.	Parts catalogue code
					GX 610 (1)	GX 610 (2)	GX 610 K1	GX 610 (3)		
E-28-1	2	T	87106-737-J00	MARK, FUEL WARNING .....	-	-	1	-	-----	QWF, QWF/A, TXF2/A
					-	-	(1)	-	-----	PZE, PZE/A, QAD2, QAD2/A, QAF, QAF/A, QDE, QDE/A, QDF, QDF/A, QDF6, QDF6/A, QYF, QYF/A, QZA, QZA/A, QZA6, QZA6/A, QZB, QZB/A, QZE, QZE/A, QZE3, QZE3/A, QZE4, QZE4/A, QZE6, QZE6/A, QZF, QZF/A, QZF1, QZF1/A, VDF2, VDF2/A, VEP4, VEP4/A, VXE, VXE/A, VXE1, VXE1/A, VXE3, VXE3/A, VXE4, VXE4/A, VZA, VZA/A, VZA1, VZA1/A, VZE1, VZE1/A
	3	T	87150-ZH8-000	MARK, CAUTION (JAPANESE) .....	-	-	(1)	-	-----	PZE, PZE/A, QAD2, QAD2/A, QAF, QAF/A, QDE, QDE/A, QDF, QDF/A, QDF6, QDF6/A, QWF, QWF/A, QYF, QYF/A, QZA, QZA/A, QZA6, QZA6/A, QZB, QZB/A, QZE, QZE/A, QZE3, QZE3/A, QZE4, QZE4/A, QZE6, QZE6/A, QZF, QZF/A, QZF1, QZF1/A, VDF2, VDF2/A, VEP4, VEP4/A, VXE, VXE/A, VXE1, VXE1/A, VXE3, VXE3/A, VXE4, VXE4/A, VZA, VZA/A, VZA1, VZA1/A, VZE1, VZE1/A
	9	T	87539-737-J00	MARK, HEAT CAUTION .....	-	-	1	-	-----	QWF, QWF/A
					-	-	(1)	-	-----	PZE, PZE/A, QAD2, QAD2/A, QAF, QAF/A, QDE, QDE/A, QDF, QDF/A, QDF6, QDF6/A, QYF, QYF/A, QZA, QZA/A, QZA6, QZA6/A, QZB, QZB/A, QZE, QZE/A, QZE3, QZE3/A, QZE4, QZE4/A, QZE6, QZE6/A, QZF, QZF/A, QZF1, QZF1/A, VDF2, VDF2/A, VEP4, VEP4/A, VXE, VXE/A, VXE1, VXE1/A, VXE3, VXE3/A, VXE4, VXE4/A, VZA, VZA/A, VZA1, VZA1/A, VZA2/A, VZE1, VZE1/A

NOTE A:PART NO. CHANGE D:NEWLY PROVIDED E:PART NO. DELETION K:REQUIRED NO. CORRECTION L:APPLICATION SERIAL NO. CORRECTION  
T:APPLICATION CORRECTION Z:REMARKS CHANGE

PARTS CATALOGUE NEWS

BOOKNo. : 13ZJ00E2

Block No.	Ref. No.	Note	Part No.	Description	Reqd. QTY				Serial No.	Parts catalogue code
					GX 610 (1)	GX 610 (2)	GX 610 K1	GX 610 (3)		
	10	T	87561-733-J00	MARK, EX. GAS WARNING .....	-	-	1	-	-----	QWF, QWF/A
					-	-	(1)	-	-----	PZE, PZE/A, QAD2, QAD2/A, QAF, QAF/A, QDE, QDE/A, QDF, QDF/A, QDF2/A, QDF6, QDF6/A, QDW/A, QYF, QYF/A, QZA, QZA/A, QZA6, QZA6/A, QZB, QZB/A, QZB2/A, QZE, QZE/A, QZE3, QZE3/A, QZE4, QZE4/A, QZE6, QZE6/A, QZF, QZF/A, QZF1, QZF1/A, VD/A, VDF2, VDF2/A, VEP4, VEP4/A, VXD/A, VXE, VXE/A, VXE1, VXE1/A, VXE3, VXE3/A, VXE4, VXE4/A, VZA, VZA/A, VZA1, VZA1/A, VZA2/A, VZE1, VZE1/A

NOTE A:PART NO. CHANGE D:NEWLY PROVIDED E:PART NO.DELETION K:REQUIRED NO. CORRECTION L:APPLICATION SERIAL NO. CORRECTION  
T:APPLICATION CORRECTION Z:REMARKS CHANGE

June 18, 2006



# PARTS CATALOGUE NEWS

Honda Motor Co., Ltd. Service Division

## PARTS CATALOGUE - CORRECTED

Printed in Japan

CODE NO.	BOOKLET TYPE	13ZJ00E2
	MICRO- FICHE	13ZJ00EB/FB
PARTS CATALOGUE NEWS	GX610 GX610K1 GX610[PROPANE ENGINE]	
NEWS NO.	009	

Block No.	Ref. No.	Note	Part No.	Description	Reqd. QTY				Serial No.	Parts catalogue code
					GX 610 (1)	GX 610 (2)	GX 610 K1	GX 610 (3)		
E-28-1	18	T	87114-ZH7-000	LABEL, WARNING (NOT CERTIFIED FOR SALE)	-	-	1	-	-----	QWF/A, QZK, SWD/A, VXE3/A, VZE1/A
					-	-	1	-	2048215	QWF, SWD, VXE3, VZE1

NOTE A:PART NO. CHANGE D:NEWLY PROVIDED E:PART NO. DELETION K:REQUIRED NO. CORRECTION L:APPLICATION SERIAL NO. CORRECTION  
T:APPLICATION CORRECTION Z:REMARKS CHANGE



# PARTS CATALOGUE NEWS

Honda Motor Co., Ltd. Service Division

## PARTS CATALOGUE - CORRECTED

Printed in Japan

CODE NO.	BOOKLET TYPE	13ZJ00E2
	MICRO-FICHE	13ZJ00EB/FB
PARTS CATALOGUE NEWS	GX610 GX610K1 GX610[PROPANE ENGINE]	
NEWS NO.	010	

Block No.	Ref. No.	Note	Part No.	Description	Reqd. QTY				Serial No.	Parts catalogue code
					GX 610 (1)	GX 610 (2)	GX 610 K1	GX 610 (3)		
E-3-1	10		37240-ZG5-004	SWITCH, OIL PRESSURE .....	-	-	1	-	-----	QAD2/A, QAF/A, QAF2/A, QDW/A, QDX2/A, QYF/A, QZF/A, VDF2/A
		A	35490-Z6D-003	SWITCH ASSY., OIL PRESSURE ...	-	-	1	-	----- 2063600	SWD/A
	11		90002-ZG5-004	SCREW-WASHER, 4X8 .....	-	-	1	-	-----	QAD2, QAD2/A, QAF, QAF/A, QAF2, QAF2/A, QDW, QDW/A, QDX2, QDX2/A, QYF, QYF/A, QZF, QZF/A, SWD, VDF2, VDF2/A
					-	-	1	-	----- 2063600	SWD/A
		A	90002-ZW2-F01	.....	-	-	1	-	----- 2063601	SWD/A

NOTE A:PART NO. CHANGE D:NEWLY PROVIDED E:PART NO.DELETION K:REQUIRED NO. CORRECTION L:APPLICATION SERIAL NO. CORRECTION  
T:APPLICATION CORRECTION Z:REMARKS CHANGE





# PARTS CATALOGUE NEWS

Honda Motor Co., Ltd. Service Division

## PARTS CATALOGUE - CORRECTED

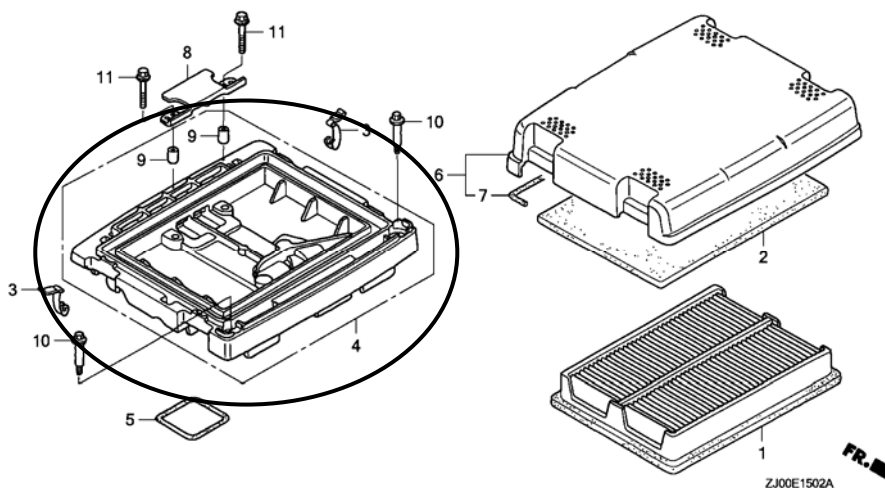
Printed in Japan

CODE NO.	BOOKLET TYPE	13ZJ00E2
	MICRO-FICHE	13ZJ00EB/FB
PARTS CATALOGUE NEWS	GX610 GX610K1 GX610[PROPANE ENGINE]	
NEWS NO.	011	

Block No.	Ref. No.	Note	Part No.	Description	Reqd. QTY	Serial No.	Parts catalogue code
					GX 610 (1)		

E-15-2 AIR CLEANER (3)

**ILLUSTRATION CORRECTED**



NOTE A:PART NO. CHANGE D:NEWLY PROVIDED E:PART NO. DELETION K:REQUIRED NO. CORRECTION L:APPLICATION SERIAL NO. CORRECTION  
T:APPLICATION CORRECTION Z:REMARKS CHANGE

July 27, 2006



## PARTS CATALOGUE NEWS

Honda Motor Co., Ltd. Service Division

Printed in Japan

CODE NO.	BOOKLET TYPE	13ZJ00E2
	MICRO- FICHE	13ZJ00EB/FB
PARTS CATALOGUE NEWS	GX610 GX610K1 GX610[PROPANE ENGINE]	
NEWS NO.	012	

### GX610K1-QKF TYPE sales parts information

NOTE: This Parts Catalogue News explains only the parts of the different model that are produced to conform to addition of the GX610K1-QKF type.

As for the parts not listed on this Parts Catalogue News, use the parts of the GX610K1-QWF type.

• Models, parts catalogue codes and applicable serial numbers

Model	Type		Parts catalogue type	Applicable engine serial No.	Applicable carburetor identification No.
GX610K1	QWF	Base type	QWF	GCAC-2000001~2059999	BG21H A
	QKF	Additional type	QKF	GCAC-2060001~	BG21H B

• Features of each type

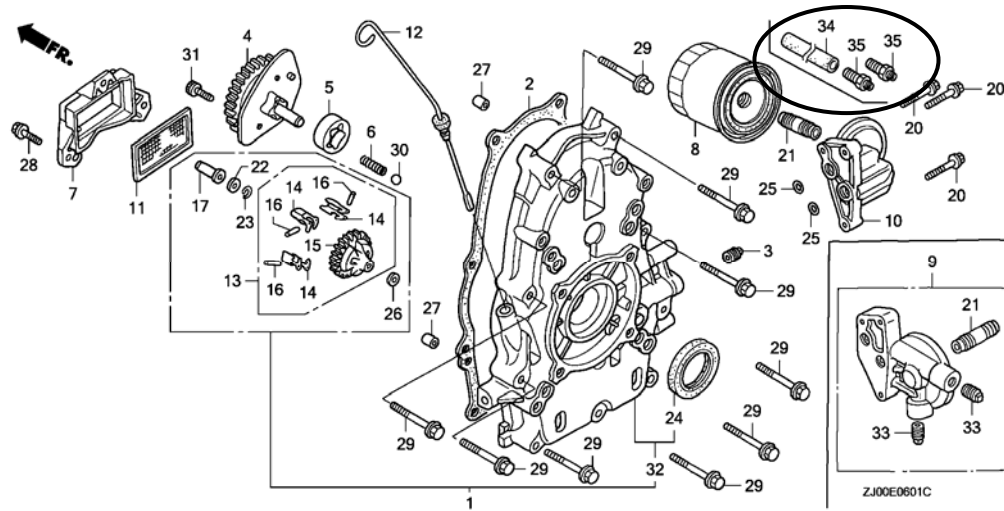
		Base type	Additional type
Model		GX610K1	
Type		QWF	QKF
Specifications	25mm Ø Straight		
	25.4mm Ø Straight	●	●
	28.575mm Ø Straight		
	5/16" Tapered		
	M10 Tapered		
Charge coil	12V/3A		
	12V/20A	●	●
Oil alert			
Fuel tank			
Recoil starter			
Control box			

PARTS CATALOGUE NEWS

BOOKNo. : 13ZJ00E2

Block No.	Ref. No.	Part No.	Description	Reqd. QTY				Base Part No.	Parts catalogue code
				GX 610 (1)	GX 610 (2)	GX 610 K1	GX 610 (3)		
E-3-1	10	35490-Z6D-003	SWITCH ASSY., OIL PRESSURE ...	-	-	1	-		
	11	90002-ZW2-F01	SCREW-WASHER, 4X8 .....	-	-	1	-		

E-6-1 CRANKCASE COVER (2)



E-6-1	1	11300-ZJ1-843	COVER ASSY., CRANKCASE .....	-	-	1	-	11300-ZJ1-841
	3		BOLT, SEALING .....	-	-	0	-	12105-ZA0-701
	4	15120-ZJ1-010	COVER ASSY., OIL PUMP (THREE BOLTS)	-	-	1	-	15120-ZJ1-000
	10	15411-ZN1-000	BASE, OIL FILTER .....	-	-	1	-	15411-ZJ1-840
	31	96600-06016-00	BOLT, SOCKET, 6X16 .....	-	-	3	-	96600-06016-00
	33		BOLT, SEALING .....	-	-	0	-	12105-ZA0-701
	34	15614-ZN1-820	HOSE, OIL .....	-	-	1	-	
	35	15615-ZN1-820	JOINT, OIL HOSE .....	-	-	2	-	
E-7	5		KEY, 6. 3X6. 3X43 .....	-	-	0	-	90745-ZE2-600

## PARTS CATALOGUE NEWS

BOOKNo. : 13ZJ00E2

Block No.	Ref. No.	Part No.	Description	Reqd. QTY				Base Part No.	Parts catalogue code
				GX 610 (1)	GX 610 (2)	GX 610 K1	GX 610 (3)		
	6		BOLT, HEX., 3/8-24UNF (25MM) ..	-	-	0	-	90003-ZE3-600	
	7		WASHER, 10.5X40X4 .....	-	-	0	-	90471-ZE3-000	
	11	90401-ZJ1-000	WASHER, CRANKSHAFT THRUST (38.5X54.0X1.0)	-	-	1	-		
E-8-1	7	90551-ZE1-000	CLIP, PISTON PIN, 18MM .....	-	-	4	-	94601-18000	
E-12-1	3		COVER, FAN *R280*..... POWER RED	-	-	0	-	19611-ZJ1-840ZC	
	5	19611-ZJ1-860ZC	COVER, FAN (P. T. O.) *R280*..... POWER RED	-	-	1	-		
E-14-2	10	16100-ZJ0-832	CARBURETOR ASSY. (BG21H B) ...	-	-	1	-	16100-ZJ0-831	
E-16	2	18310-ZJ1-013	MUFFLER COMP. (HIGH) .....	-	-	(1)	-		
	3	18321-ZJ1-003	PROTECTOR, MUFFLER (HIGH) ....	-	-	(1)	-		
	5	18338-ZJ1-841	STAY, MUFFLER (HIGH) .....	-	-	(1)	-		
	6	18396-ZJ1-003	BAND ASSY. ....	-	-	(1)	-		
	7	95701-06008-00	BOLT, FLANGE, 6X8 .....	-	-	(6)	-		
	8	95701-08014-00	BOLT, FLANGE, 8X14 .....	-	-	(4)	-		
	9	95701-08020-00	BOLT, FLANGE, 8X20 .....	-	-	(4)	-		
	10	18330-ZJ1-841	PIPE COMP., EX. (HIGH-R) .....	-	-	(1)	-		
	11	18355-ZJ1-003	ARRESTER, SPARK .....	-	-	(1)	-		
	12	90009-ZJ1-801	SCREW, (NELSON) .....	-	-	(1)	-		
E-16-1	2	18310-ZJ1-013	MUFFLER COMP. (HIGH) .....	-	-	(1)	-		
	3	18321-ZJ1-003	PROTECTOR, MUFFLER (HIGH) ....	-	-	(1)	-		
	5	18338-ZJ1-841	STAY, MUFFLER (HIGH) .....	-	-	(1)	-		
	6	18396-ZJ1-003	BAND ASSY. ....	-	-	(1)	-		
	7	95701-06008-00	BOLT, FLANGE, 6X8 .....	-	-	(6)	-		
	8	95701-08014-00	BOLT, FLANGE, 8X14 .....	-	-	(4)	-		

## PARTS CATALOGUE NEWS

BOOKNo. : 13ZJ00E2

Block No.	Ref. No.	Part No.	Description	Reqd. QTY				Base Part No.	Parts catalogue code
				GX 610 (1)	GX 610 (2)	GX 610 K1	GX 610 (3)		
	9	95701-08020-00	BOLT, FLANGE, 8X20 .....	-	-	(4)	-		
	10	18330-ZJ1-851	PIPE COMP., EX. (HIGH-L) .....	-	-	(1)	-		
	11	18355-ZJ1-003	ARRESTER, SPARK .....	-	-	(1)	-		
	12	90009-ZJ1-801	SCREW, (NELSON) .....	-	-	(1)	-		
E-18-1	14	95002-02080	CLIP, TUBE (B8) .....	-	-	1	-	95002-50000	
	22	95003-25015-20	TUBE, VINYL, 9X11X150 (95003-25001-10M)	-	-	1	-		
E-19	14		BOLT, FLANGE, 8X16 .....	-	-	0	-	95701-08016-00	
	17	95701-08016-00	BOLT, FLANGE, 8X16 .....	-	-	3	-		
E-23	6	32105-ZJ1-800	HARNESS ASSY., SUB WIRE .....	-	-	1	-		
E-28-1	1	87101-ZJ0-831	EMBLEM (18.0) .....	-	-	1	-		
	2		MARK, FUEL WARNING .....	-	-	0	-	87106-737-J00	
	3		MARK, CAUTION (JAPANESE) .....	-	-	(0)	-	87150-ZH8-000	
	4	87152-ZJ0-010	LABEL, SPECIFICATION (GX610) .	-	-	1	-		
	9		MARK, HEAT CAUTION .....	-	-	0	-	87539-737-J00	
	10		MARK, EX. GAS WARNING .....	-	-	0	-	87561-733-J00	
	17		LABEL, E-SPEC (15.5X27.5) ....	-	-	0	-	87135-ZE2-020	
	20	87516-ZM7-801	MARK, OPERATOR CAUTION .....	-	-	1	-		
E-40-1	1		MUFFLER COMP. (HIGH) .....	-	-	0	-	18310-ZJ1-013	
	2		PROTECTOR, MUFFLER (HIGH) ....	-	-	0	-	18321-ZJ1-003	
	3		ARRESTER, SPARK .....	-	-	(0)	-	18355-ZJ1-003	
	4		BAND ASSY. ....	-	-	0	-	18396-ZJ1-003	
	5		SWITCH ASSY., COMBINATION ....	-	-	0	-	35100-768-S01	
	6		KEY ASSY., COMBINATION SWITCH	-	-	0	-	35110-736-612	
	7		SCREW, (NELSON) .....	-	-	(0)	-	90009-ZJ1-801	

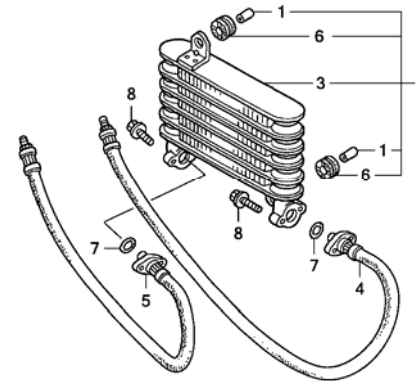
PARTS CATALOGUE NEWS

BOOKNo. : 13ZJ00E2

Block No.	Ref. No.	Part No.	Description	Reqd. QTY				Base Part No.	Parts catalogue code
				GX 610 (1)	GX 610 (2)	GX 610 K1	GX 610 (3)		
	8		BOLT, ENGINE SETTING .....	-	-	0	-	90102-VA4-000	
	9		PIPE COMP., EX. (HIGH-R) .....	-	-	0	-	18330-ZJ1-841	
	10		STAY, MUFFLER (HIGH) .....	-	-	0	-	18338-ZJ1-841	
	11		BOLT, FLANGE, 6X8 .....	-	-	0	-	95701-06008-00	
	12		BOLT, FLANGE, 8X14 .....	-	-	0	-	95701-08014-00	
	13		BOLT, FLANGE, 8X20 .....	-	-	0	-	95701-08020-00	

E-40-4 OTHER PARTS (5)

Ref. No.	LON	(Relative ref. Number) Description	FRT
2	1131A0	COOLER ASSEMBLY, ENGINE OIL ..	0.3
3	1131A1	COOLER, ENGINE OIL .....	0.3
4		(7)	
	1131A6	HOSE A, OIL COOLER .....	0.2
5		(7)	
	1131A7	HOSE B, OIL COOLER .....	0.2
6	1131B8	RUBBER, OIL COOLER MOUNTING ..	0.1
.NOTE: Same time for two units			



ZJ00E4004

E-40-4	1	11513-MN5-300	COLLAR, 12MM .....	-	-	2	-		
	2	15605-ZN1-000	COOLER ASSY., OIL .....	-	-	1	-		
	3	15610-ZN1-000	COOLER COMP., OIL .....	-	-	1	-		
	4	15614-ZJ1-R51	HOSE A, OIL .....	-	-	1	-		
	5	15616-ZJ1-R51	HOSE B, OIL .....	-	-	1	-		
	6	19051-KA3-830	RUBBER, RADIATOR MOUNTING ....	-	-	2	-		

PARTS CATALOGUE NEWS

BOOKNo. : 13ZJ00E2

Block No.	Ref. No.	Part No.	Description	Reqd. QTY				Base Part No.	Parts catalogue code
				GX 610 (1)	GX 610 (2)	GX 610 K1	GX 610 (3)		
	7	91314-ME5-003	O-RING, 10X2.6 (ARAI) .....	-	-	2	-		
	8	95701-06022-00	BOLT, FLANGE, 6X22 .....	-	-	4	-		





# PARTS CATALOGUE NEWS

Honda Motor Co., Ltd. Service Division

## PARTS CATALOGUE - CORRECTED

Printed in Japan

CODE NO.	BOOKLET TYPE	13ZJ00E2
	MICRO- FICHE	13ZJ00EB/FB
PARTS CATALOGUE NEWS	GX610 GX610K1 GX610[PROPANE ENGINE]	
NEWS NO.	013	

Block No.	Ref. No.	Note	Part No.	Description	Reqd. QTY				Serial No.	Parts catalogue code
					GX 610 (1)	GX 610 (2)	GX 610 K1	GX 610 (3)		
E-40-2	10		38550-797-A01	RELAY ASSY., POWER HEIGHT ....	-	-	1	-	-----	SWD
					-	-	1	-	-----	2063600 SWD/A
		A	38550-797-A02	.....	-	-	1	-	2063601 -----	SWD/A

NOTE A:PART NO. CHANGE D:NEWLY PROVIDED E:PART NO.DELETION K:REQUIRED NO. CORRECTION L:APPLICATION SERIAL NO. CORRECTION  
T:APPLICATION CORRECTION Z:REMARKS CHANGE



# PARTS CATALOGUE NEWS

Honda Motor Co., Ltd. Service Division

## PARTS CATALOGUE - CORRECTED

Printed in Japan

CODE NO.	BOOKLET TYPE	13ZJ00E2
	MICRO-FICHE	13ZJ00EB/FB
PARTS CATALOGUE NEWS	GX610 GX610K1 GX610[PROPANE ENGINE]	
NEWS NO.	014	

Block No.	Ref. No.	Note	Part No.	Description	Reqd. QTY				Serial No.	Parts catalogue code
					GX 610 (1)	GX 610 (2)	GX 610 K1	GX 610 (3)		
E-40	12	E	35100-ZJ1-841	*PARTS NO. DELETION						
	13	T	35111-880-003	KEY COMP. ....	2	-	-	-	1019770 -----	QXE4
	17	T	98200-32500	FUSE, BLADE (25A) .....	1	-	-	-	1019770 -----	QXE4

NOTE A:PART NO. CHANGE D:NEWLY PROVIDED E:PART NO.DELETION K:REQUIRED NO. CORRECTION L:APPLICATION SERIAL NO. CORRECTION  
T:APPLICATION CORRECTION Z:REMARKS CHANGE

October 01, 2006



# PARTS CATALOGUE NEWS

Honda Motor Co., Ltd. Service Division

## PARTS CATALOGUE - CORRECTED

Printed in Japan

CODE NO.	BOOKLET TYPE	13ZJ00E2
	MICRO- FICHE	13ZJ00EB/FB
PARTS CATALOGUE NEWS	GX610 GX610K1 GX610[PROPANE ENGINE]	
NEWS NO.	015	

Block No.	Ref. No.	Note	Part No.	Description	Reqd. QTY				Serial No.	Parts catalogue code
					GX 610 (1)	GX 610 (2)	GX 610 K1	GX 610 (3)		
E-28-1	20	E	87637-ZM3-800	*PARTS NO. DELETION						

NOTE A:PART NO. CHANGE D:NEWLY PROVIDED E:PART NO. DELETION K:REQUIRED NO. CORRECTION L:APPLICATION SERIAL NO. CORRECTION  
T:APPLICATION CORRECTION Z:REMARKS CHANGE



# PARTS CATALOGUE NEWS

Honda Motor Co., Ltd. Service Division

## PARTS CATALOGUE - CORRECTED

Printed in Japan

CODE NO.	BOOKLET TYPE	13ZJ00E2
	MICRO-FICHE	13ZJ00EB/FB
PARTS CATALOGUE NEWS	GX610 GX610K1 GX610[PROPANE ENGINE]	
NEWS NO.	016	

Block No.	Ref. No.	Note	Part No.	Description	Reqd. QTY				Serial No.	Parts catalogue code
					GX 610 (1)	GX 610 (2)	GX 610 K1	GX 610 (3)		
E-21-1	12	E	31216-ZJ1-H01	*PARTS NO. DELETION						
		D	31218-P64-N01	YOKE COMP. ....	-	-	1	-	-----	PZE, PZE/A, QAD2, QAD2/A, QAF, QAF/A, QAF2, QAF2/A, QDE, QDE/A, QDF, QDF/A, QDF2, QDF2/A, QDF6, QDF6/A, QDW, QDW/A, QDX2, QDX2/A, QKF, QWF, QWF/A, QYF, QYF/A, QZA, QZA/A, QZA6, QZA6/A, QZB, QZB/A, QZB2, QZB2/A, QZE, QZE/A, QZE3, QZE3/A, QZE4, QZE4/A, QZE6, QZE6/A, QZF, QZF/A, QZF1, QZF1/A, QZF8, QZF8/A, QZK, SWD, SWD/A, TXF2, TXF2/A, VD, VD/A, VDF2, VDF2/A, VEP4, VEP4/A, VXD, VXD/A, VXE, VXE/A, VXE1, VXE1/A, VXE3, VXE3/A, VXE4, VXE4/A, VZA, VZA/A, VZA1, VZA1/A, VZA2, VZA2/A, VZE1, VZE1/A

NOTE A:PART NO. CHANGE D:NEWLY PROVIDED E:PART NO.DELETION K:REQUIRED NO. CORRECTION L:APPLICATION SERIAL NO. CORRECTION  
T:APPLICATION CORRECTION Z:REMARKS CHANGE



# PARTS CATALOGUE NEWS

Honda Motor Co., Ltd. Service Division

## PARTS CATALOGUE - CORRECTED

Printed in Japan

CODE NO.	BOOKLET TYPE	13ZJ00E2
	MICRO-FICHE	13ZJ00EB/FB
PARTS CATALOGUE NEWS	GX610 GX610K1 GX610[PROPANE ENGINE]	
NEWS NO.	017	

Block No.	Ref. No.	Note	Part No.	Description	Reqd. QTY					Serial No.	Parts catalogue code
					GX 610 (1)	GX 610 (2)	GX 610 K1	GX 610 (3)			
<b>PARTS NAME CORRECTED</b>											
E-14-2	10	Z	16100-ZJ0-832	CARBURETOR ASSY. (BG21H B/C)	-	-	1	-	-----	-----	QKF, QZK
					-	-	1	-	2063540	-----	PZE/A, QAD2/A, QAF/A, QDE/A, QDF/A, QDF2/A, QDF6/A, QDW/A, QDX2/A, QWF/A, QYF/A, QZA/A, QZA6/A, QZB/A, QZB2/A, QZE/A, QZE3/A, QZE4/A, QZE6/A, QZF/A, QZF1/A, QZF8/A, VDF2/A, VEP4/A, VXE/A, VXE1/A, VXE3/A, VXE4/A, VZA/A, VZA1/A, VZE1/A
E-28-1	1		87101-ZJ0-831	EMBLEM (18.0) .....	-	-	1	-	-----	-----	PZE/A, QAD2, QAD2/A, QAF/A, QDE/A, QDF/A, QDF6/A, QDX2, QDX2/A, QYF/A, QZA/A, QZA6/A, QZB/A, QZE/A, QZE3/A, QZE4/A, QZE6/A, QZF/A, QZF1/A, QZF8, QZF8/A, QZX5/A, VEP4, VEP4/A, VXE/A, VXE1/A, VXE4/A, VZA/A, VZA1/A
					-	-	1	-	-----	2066420	QKF, QZK, VXE3/A, VZE1/A
					-	-	1	-	2021867	-----	PZE, QAF, QDE, QDF, QDF6, QYF, QZA, QZA6, QZB, QZE, QZE3, QZE4, QZE6, QZF, QZF1, QZX5, VXE, VXE1, VXE3, VXE4, VZA, VZA1, VZE1
		A	87101-ZJ0-832	EMBLEM (GX610) .....	-	-	1	-	2066421	-----	QKF, QZK, VXE3/A, VZE1/A

NOTE A:PART NO. CHANGE D:NEWLY PROVIDED E:PART NO.DELETION K:REQUIRED NO. CORRECTION L:APPLICATION SERIAL NO. CORRECTION T:APPLICATION CORRECTION Z:REMARKS CHANGE



# PARTS CATALOGUE NEWS

Honda Motor Co., Ltd. Service Division

## PARTS CATALOGUE - CORRECTED

Printed in Japan

CODE NO.	BOOKLET TYPE	13ZJ00E2
	MICRO- FICHE	13ZJ00EB/FB
PARTS CATALOGUE NEWS	GX610 GX610K1 GX610[PROPANE ENGINE]	
NEWS NO.	018	

Block No.	Ref. No.	Note	Part No.	Description	Reqd. QTY				Serial No.	Parts catalogue code	
					GX 610 (1)	GX 610 (2)	GX 610 K1	GX 610 (3)			
E-20	1		30500-ZJ1-844	COIL ASSY., IGNITION (L. SIDE)	-	-	1	-	-----	PZE/A, QAD2/A, QAF/A, QAF2/A, QDE/A, QDF/A, QDF2/A, QDF6/A, QDW/A, QDX2/A, QYF/A, QZA/A, QZA6/A, QZB/A, QZB2/A, QZE/A, QZE3/A, QZE4/A, QZE6/A, QZF/A, QZF1/A, QZF8/A, QZX5/A, TXF2/A, VD/A, VDF2/A, VEP4/A, VXD/A, VXE/A, VXE1/A, VXE4/A, VZA/A, VZA1/A, VZA2/A	
				(L. SIDE)	-	-	1	-	-----	2066420	QKF, QWF/A, QZK, SWD/A, VXE3/A, VZE1/A
				(L. SIDE)	-	-	1	-	2049301	-----	PZE, QAD2, QAF, QAF2, QDE, QDF, QDF2, QDF6, QDW, QDX2, QWF, QYF, QZA, QZA6, QZB, QZB2, QZE, QZE3, QZE4, QZE6, QZF, QZF1, QZF8, QZX5, SWD, TXF2, VD, VDF2, VEP4, VXD, VXE, VXE1, VXE3, VXE4, VZA, VZA1, VZA2, VZE1
	A	30500-ZJ1-845	..... (L. SIDE)	-	-	1	-	2066421	-----	QKF, QWF/A, QZK, SWD/A, VXE3/A, VZE1/A	
	6		31630-ZJ1-801	COIL ASSY., CHARGE (12V/20A)	1	-	1	1	-----	QAC6, QAD2, QAD2/A, QAF, QAF/A, QAFP, QAFU, QAF2, QAF2/A, QDF, QDF/A, QDF2, QDF2/A, QDF6, QDF6/A, QDW, QDW/A, QDX2, QDX2/A, QWF, QXF6, QYF, QYF/A, QZB, QZB/A, QZB2, QZB2/A, QZF, QZF/A, QZF1, QZF1/A, QZF6, QZF8, QZF8/A, SWD, TXF2, TXF2/A, VDF2, VDF2/A	
					-	(1)	-	-			
					-	-	1	-	-----	2066420	QKF, QWF/A, SWD/A

NOTE A:PART NO. CHANGE D:NEWLY PROVIDED E:PART NO.DELETION K:REQUIRED NO. CORRECTION L:APPLICATION SERIAL NO. CORRECTION  
T:APPLICATION CORRECTION Z:REMARKS CHANGE

PARTS CATALOGUE NEWS

BOOKNo. : 13ZJ00E2

Block No.	Ref. No.	Note	Part No.	Description	Reqd. QTY				Serial No.	Parts catalogue code	
					GX 610 (1)	GX 610 (2)	GX 610 K1	GX 610 (3)			
		A	31630-ZJ1-802	.....	-	-	1	-	2066421	-----	KKF, QWF/A, SWD/A
	19		30550-ZJ1-844	COIL ASSY., IGNITION (R. SIDE)	-	-	1	-	-----	-----	PZE/A, QAD2/A, QAF/A, QAF2/A, QDE/A, QDF/A, QDF2/A, QDF6/A, QDW/A, QDX2/A, QYF/A, QZA/A, QZA6/A, QZB/A, QZB2/A, QZE/A, QZE3/A, QZE4/A, QZE6/A, QZF/A, QZF1/A, QZF8/A, QZX5/A, TXF2/A, VD/A, VDF2/A, VEP4/A, VXD/A, VXE/A, VXE1/A, VXE4/A, VZA/A, VZA1/A, VZA2/A
				(R. SIDE)	-	-	1	-	-----	2066420	KKF, QWF/A, QZK, SWD/A, VXE3/A, VZE1/A
				(R. SIDE)	-	-	1	-	2049301	-----	PZE, QAD2, QAF, QAF2, QDE, QDF, QDF2, QDF6, QDW, QDX2, QWF, QYF, QZA, QZA6, QZB, QZB2, QZE, QZE3, QZE4, QZE6, QZF, QZF1, QZF8, QZX5, SWD, TXF2, VD, VDF2, VEP4, VXD, VXE, VXE1, VXE3, VXE4, VZA, VZA1, VZA2, VZE1
		A	30550-ZJ1-845	..... (R. SIDE)	-	-	1	-	2066421	-----	KKF, QWF/A, QZK, SWD/A, VXE3/A, VZE1/A
E-21-1	3		31200-ZJ1-841	MOTOR ASSY., STARTER .....	-	-	1	-	-----	-----	PZE, PZE/A, QAD2, QAD2/A, QAF, QAF/A, QAF2, QAF2/A, QDE, QDE/A, QDF, QDF/A, QDF2, QDF2/A, QDF6, QDF6/A, QDW, QDW/A, QDX2, QDX2/A, QWF, QYF, QYF/A, QZA, QZA/A, QZA6, QZA6/A, QZB, QZB/A, QZB2, QZB2/A, QZE, QZE/A, QZE3, QZE3/A, QZE4, QZE4/A, QZE6, QZE6/A, QZF, QZF/A, QZF1, QZF1/A, QZF8, QZF8/A, SWD, TXF2, TXF2/A, VD, VD/A, VDF2, VDF2/A, VEP4, VEP4/A, VXD, VXD/A, VXE, VXE/A, VXE1, VXE1/A, VXE3, VXE4, VXE4/A, VZA, VZA/A, VZA1, VZA1/A, VZA2, VZA2/A, VZE1
					-	-	1	-	-----	2066920	KKF, QWF/A, QZK, SWD/A, VXE3/A, VZE1/A
		A	31200-ZJ1-842	.....	-	-	1	-	2066921	-----	KKF, QWF/A, QZK, SWD/A, VXE3/A, VZE1/A
	5		31204-ZJ1-H01	SWITCH ASSY., MAGNET .....	-	-	1	-	-----	-----	PZE, PZE/A, QAD2, QAD2/A, QAF, QAF/A, QAF2, QAF2/A, QDE, QDE/A, QDF, QDF/A, QDF2, QDF2/A, QDF6, QDF6/A, QDW, QDW/A, QDX2, QDX2/A, QWF, QYF, QYF/A, QZA, QZA/A, QZA6, QZA6/A, QZB, QZB/A, QZB2, QZB2/A, QZE, QZE/A, QZE3, QZE3/A, QZE4, QZE4/A, QZE6, QZE6/A, QZF, QZF/A, QZF1, QZF1/A, QZF8, QZF8/A, SWD, TXF2, TXF2/A, VD, VD/A, VDF2, VDF2/A, VEP4, VEP4/A, VXD, VXD/A, VXE, VXE/A, VXE1, VXE1/A, VXE3, VXE4, VXE4/A, VZA, VZA/A, VZA1, VZA1/A, VZA2, VZA2/A, VZE1
					-	-	1	-	-----	2066920	KKF, QWF/A, QZK, SWD/A, VXE3/A, VZE1/A
		A	31204-ZJ1-H02	.....	-	-	1	-	2066921	-----	KKF, QWF/A, QZK, SWD/A, VXE3/A, VZE1/A

NOTE A:PART NO. CHANGE D:NEWLY PROVIDED E:PART NO.DELETION K:REQUIRED NO. CORRECTION L:APPLICATION SERIAL NO. CORRECTION  
T:APPLICATION CORRECTION Z:REMARKS CHANGE

PARTS CATALOGUE NEWS

BOOKNo. : 13ZJ00E2

Block No.	Ref. No.	Note	Part No.	Description	Reqd. QTY				Serial No.	Parts catalogue code	
					GX 610 (1)	GX 610 (2)	GX 610 K1	GX 610 (3)			
		17	31234-ZJ1-H01	COVER, TERMINAL .....	-	-	1	-	-----	PZE, PZE/A, QAD2, QAD2/A, QAF, QAF/A, QAF2, QAF2/A, QDE, QDE/A, QDF, QDF/A, QDF2, QDF2/A, QDF6, QDF6/A, QDW, QDW/A, QDX2, QDX2/A, QWF, QYF, QYF/A, QZA, QZA/A, QZA6, QZA6/A, QZB, QZB/A, QZB2, QZB2/A, QZE, QZE/A, QZE3, QZE3/A, QZE4, QZE4/A, QZE6, QZE6/A, QZF, QZF/A, QZF1, QZF1/A, QZF8, QZF8/A, SWD, TXF2, TXF2/A, VD, VD/A, VDF2, VDF2/A, VEP4, VEP4/A, VXD, VXD/A, VXE, VXE/A, VXE1, VXE1/A, VXE3, VXE4, VXE4/A, VZA, VZA/A, VZA1, VZA1/A, VZA2, VZA2/A, VZE1	
					-	-	1	-	-----	2066920	QKF, QWF/A, QZK, SWD/A, VXE3/A, VZE1/A
	A		31234-ZJ1-H02	.....	-	-	1	-	2066921	-----	QKF, QWF/A, QZK, SWD/A, VXE3/A, VZE1/A
E-23		4	31710-ZJ1-811	RECTIFIER ASSY. ....	1	-	1	1	-----	-----	PZE, PZE/A, QDA1, QDE1, QXE4, QZA, QZA/A, QZA1, QZA6, QZA6/A, QZE, QZE/A, QZE3, QZE3/A, QZE4, QZE4/A, QZE6, QZE6/A, VXA3, VXE, VXE/A, VXEP, VXE1, VXE1/A, VXE4, VXE4/A, VZA, VZA/A, VZA1, VZA1/A, VZA4, VZE1
					-	(1)	-	-			
					-	-	1	-	-----	2067340	QZK, VZE1/A
	A		31710-ZJ1-812	.....	-	-	1	-	2067341	-----	QZK, VZE1/A

NOTE A:PART NO. CHANGE D:NEWLY PROVIDED E:PART NO. DELETION K:REQUIRED NO. CORRECTION L:APPLICATION SERIAL NO. CORRECTION  
T:APPLICATION CORRECTION Z:REMARKS CHANGE





# PARTS CATALOGUE NEWS

Honda Motor Co., Ltd. Service Division

## PARTS CATALOGUE - CORRECTED

Printed in Japan

CODE NO.	BOOKLET TYPE	13ZJ00E2
	MICRO- FICHE	13ZJ00EB/FB
PARTS CATALOGUE NEWS	GX610 GX610K1 GX610[PROPANE ENGINE]	
NEWS NO.	019	

Block No.	Ref. No.	Note	Part No.	Description	Reqd. QTY				Serial No.	Parts catalogue code
					GX 610 (1)	GX 610 (2)	GX 610 K1	GX 610 (3)		
E-20	7		31740-ZJ1-861	DIODE ASSY., ENGINE STOP .....	-	-	1	-	-----	PZE/A, QAD2, QAD2/A, QAF/A, QAF2/A, QDE/A, QDF/A, QDF2/A, QDF6/A, QDW/A, QDX2, QDX2/A, QYF/A, QZA/A, QZA6/A, QZB/A, QZB2/A, QZE/A, QZE3/A, QZE4/A, QZE6/A, QZF/A, QZF1/A, QZF8, QZF8/A, SWD, TXF2/A, VDF2, VDF2/A, VEP4, VEP4/A, VXE/A, VXE1/A, VXE4/A, VZA/A, VZA1/A
					-	-	1	-	----- 2067360	QKF, QWF/A, QZK, SWD/A, VXE3/A, VZE1/A
					-	-	1	-	2015620 -----	PZE, QAF, QAF2, QDE, QDF, QDF2, QDF6, QDW, QWF, QYF, QZA, QZA6, QZB, QZB2, QZE, QZE3, QZE4, QZE6, QZF, QZF1, TXF2, VXE, VXE1, VXE3, VXE4, VZA, VZA1, VZE1
		A	31740-ZJ1-862	.....	-	-	1	-	2067361 -----	QKF, QWF/A, QZK, SWD/A, VXE3/A, VZE1/A

NOTE A:PART NO. CHANGE D:NEWLY PROVIDED E:PART NO.DELETION K:REQUIRED NO. CORRECTION L:APPLICATION SERIAL NO. CORRECTION  
T:APPLICATION CORRECTION Z:REMARKS CHANGE



# PARTS CATALOGUE NEWS

Honda Motor Co., Ltd. Service Division

## PARTS CATALOGUE - CORRECTED

Printed in Japan

CODE NO.	BOOKLET TYPE	13ZJ00E2
	MICRO- FICHE	13ZJ00EB/FB
PARTS CATALOGUE NEWS	GX610 GX610K1 GX610[PROPANE ENGINE]	
NEWS NO.	020	

Block No.	Ref. No.	Note	Part No.	Description	Reqd. QTY					Serial No.	Parts catalogue code	
					GX 610 (1)	GX 610 (2)	GX 610 K1	GX 610 (3)				
E-12-1	15		34150-ZJ1-842	ALERT UNIT, OIL .....	-	-	1	-		-----	PZE/A, QZA/A, QZA6/A, QZB/A, QZB2/A, QZE/A, QZE3/A, QZE4/A, QZE6/A, QZF1/A, QZF8/A, QZX5/A, TXF2/A, VD/A, VEP4/A, VXD/A, VXE/A, VXE1/A, VXE4/A, VZA/A, VZA1/A, VZA2/A	
					-	-	1	-		-----	2067382	QZK, VXE3/A, VZE1/A
					-	-	1	-		-----	2049760	PZE, QZA, QZA6, QZB, QZB2, QZE, QZE3, QZE4, QZE6, QZF1, QZF8, QZX5, TXF2, VD, VEP4, VXD, VXE, VXE1, VXE3, VXE4, VZA, VZA1, VZA2, VZE1
		A	34150-ZJ1-843	.....	-	-	1	-		-----	2067383	QZK, VXE3/A, VZE1/A
E-20	5		31630-ZJ1-003	COIL ASSY., CHARGE (12V/3A) ..	1	-	1	1		-----	-----	PZE, PZE/A, QDA1, QDE, QDE/A, QDE1, QDE6, QXE4, QZA, QZA/A, QZA1, QZA6, QZA6/A, QZE, QZE/A, QZE3, QZE3/A, QZE4, QZE4/A, QZE6, QZE6/A, VD, VD/A, VEP4, VEP4/A, VXA3, VXD, VXD/A, VXE, VXE/A, VXEP, VXE1, VXE1/A, VXE3, VXE4, VXE4/A, VZA, VZA/A, VZA1, VZA1/A, VZA4, VZE1
					-	(1)	-	-				
					-	-	1	-		-----	2067382	QZK, VXE3/A, VZE1/A
		A	31630-ZJ1-013	.....	-	-	1	-		-----	2067383	QZK, VXE3/A, VZE1/A

NOTE A:PART NO. CHANGE D:NEWLY PROVIDED E:PART NO. DELETION K:REQUIRED NO. CORRECTION L:APPLICATION SERIAL NO. CORRECTION  
T:APPLICATION CORRECTION Z:REMARKS CHANGE

PARTS CATALOGUE NEWS

BOOKNo. : 13ZJ00E2

Block No.	Ref. No.	Note	Part No.	Description	Reqd. QTY				Serial No.	Parts catalogue code
					GX 610 (1)	GX 610 (2)	GX 610 K1	GX 610 (3)		
E-23	3		31620-ZG5-013	RECTIFIER ASSY., REGULATOR (20A)	-	-	1	-	-----	QAD2, QAD2/A, QAF, QAF/A, QAF2, QAF2/A, QDF, QDF/A, QDF2, QDF2/A, QDF6, QDF6/A, QDW, QDW/A, QDX2, QDX2/A, QWF, QYF, QYF/A, QZB, QZB/A, QZB2, QZB2/A, QZF, QZF/A, QZF1, QZF1/A, QZF8, QZF8/A, SWD, TXF2, TXF2/A, VDF2/A
					-	-	1	-	-----	2067120 QKF, QWF/A, SWD/A
		A	31620-ZG5-023	.....	-	-	1	-	2067121	----- QKF, QWF/A, SWD/A

NOTE A:PART NO. CHANGE D:NEWLY PROVIDED E:PART NO. DELETION K:REQUIRED NO. CORRECTION L:APPLICATION SERIAL NO. CORRECTION  
T:APPLICATION CORRECTION Z:REMARKS CHANGE



# PARTS CATALOGUE NEWS

Honda Motor Co., Ltd. Service Division

## PARTS CATALOGUE - CORRECTED

Printed in Japan

CODE NO.	BOOKLET TYPE	13ZJ00E2
	MICRO- FICHE	13ZJ00EB/FB
PARTS CATALOGUE NEWS	GX610 GX610K1 GX610[PROPANE ENGINE]	
NEWS NO.	021	

Block No.	Ref. No.	Note	Part No.	Description	Reqd. QTY				Serial No.	Parts catalogue code	
					GX 610 (1)	GX 610 (2)	GX 610 K1	GX 610 (3)			
E-3-1	9		35480-ZJ1-841	SWITCH ASSY., OIL LEVEL .....	-	-	1	-	-----	PZE, PZE/A, QZA, QZA/A, QZA6, QZA6/A, QZB, QZB/A, QZB2, QZB2/A, QZE, QZE/A, QZE3, QZE3/A, QZE4, QZE4/A, QZE6, QZE6/A, QZF1, QZF1/A, QZF8, QZF8/A, QZX5, QZX5/A, TXF2, TXF2/A, VD, VD/A, VEP4, VEP4/A, VXD, VXD/A, VXE, VXE/A, VXE1, VXE1/A, VXE3, VXE4, VXE4/A, VZA, VZA/A, VZA1, VZA1/A, VZA2, VZA2/A, VZE1	
					-	-	1	-	-----	2067382 QZK, VXE3/A, VZE1/A	
	A		35480-ZJ1-842	.....	-	-	1	-	2067383	-----	QZK, VXE3/A, VZE1/A

NOTE A:PART NO. CHANGE D:NEWLY PROVIDED E:PART NO. DELETION K:REQUIRED NO. CORRECTION L:APPLICATION SERIAL NO. CORRECTION  
T:APPLICATION CORRECTION Z:REMARKS CHANGE



# PARTS CATALOGUE NEWS

Honda Motor Co., Ltd. Service Division

## PARTS CATALOGUE - CORRECTED

Printed in Japan

CODE NO.	BOOKLET TYPE	13ZJ00E2
	MICRO- FICHE	13ZJ00EB/FB
PARTS CATALOGUE NEWS	GX610 GX610K1 GX610[PROPANE ENGINE]	
NEWS NO.	022	

Block No.	Ref. No.	Note	Part No.	Description	Reqd. QTY					Serial No.	Parts catalogue code
					GX 610 (1)	GX 610 (2)	GX 610 K1	GX 610 (3)	GX 610 (3)		
E-14-2	10		16100-ZJ0-832	CARBURETOR ASSY. (BG21H B/C) .	-	-	1	-	-----	2067380	QKF, QZK
					-	-	1	-	2063540	-----	PZE/A, QAD2/A, QAF/A, QDE/A, QDF/A, QDF2/A, QDF6/A, QDW/A, QDX2/A, QYF/A, QZA/A, QZA6/A, QZB/A, QZB2/A, QZE/A, QZE3/A, QZE4/A, QZE6/A, QZF/A, QZF1/A, QZF8/A, VDF2/A, VEP4/A, VXE/A, VXE1/A, VXE4/A, VZA/A, VZA1/A
					-	-	1	-	2063540	2067380	QWF/A, VXE3/A, VZE1/A
		A	16100-ZJ0-833	CARBURETOR ASSY. (BG21H C) ...	-	-	1	-	2067381	-----	QKF, QWF/A, QZK, VXE3/A, VZE1/A
	16		16200-ZJ1-841	VALVE ASSY. , SOLENOID . . . . .	-	-	1	-	-----	-----	PZE, PZE/A, QAD2, QAD2/A, QAF, QAF/A, QAF2, QAF2/A, QDE, QDE/A, QDF, QDF/A, QDF2, QDF2/A, QDF6, QDF6/A, QDW, QDW/A, QDX2, QDX2/A, QWF, QYF, QYF/A, QZA, QZA/A, QZA6, QZA6/A, QZB, QZB/A, QZB2, QZB2/A, QZE, QZE/A, QZE3, QZE3/A, QZE4, QZE4/A, QZE6, QZE6/A, QZF, QZF/A, QZF1, QZF1/A, QZF8, QZF8/A, SWD, TXF2, TXF2/A, VDF2, VDF2/A, VEP4, VEP4/A, VXD, VXD/A, VXE, VXE/A, VXE1, VXE1/A, VXE3, VXE4, VXE4/A, VZA, VZA/A, VZA1, VZA1/A, VZE1
					-	-	1	-	-----	2067366	SWD/A
					-	-	1	-	-----	2067380	QKF, QWF/A, QZK, VXE3/A, VZE1/A
				(CARBURETOR NO.)	-	-	1	-	-----	BG21N A	VD

NOTE A:PART NO. CHANGE D:NEWLY PROVIDED E:PART NO. DELETION K:REQUIRED NO. CORRECTION L:APPLICATION SERIAL NO. CORRECTION  
T:APPLICATION CORRECTION Z:REMARKS CHANGE

PARTS CATALOGUE NEWS

BOOKNo. : 13ZJ00E2

Block No.	Ref. No.	Note	Part No.	Description	Reqd. QTY				Serial No.	Parts catalogue code
					GX 610 (1)	GX 610 (2)	GX 610 K1	GX 610 (3)		
		A	16200-ZJ1-842	.....	-	-	1	-	2067367 -----	SWD/A
					-	-	1	-	2067381 -----	QKF, QWF/A, QZK, VXE3/A, VZE1/A
E-23	7		32340-Z6D-831	BOX ASSY., CONTROL .....	-	-	1	-	----- 2067382	QZK
		A	32340-Z6D-832	.....	-	-	1	-	2067383 -----	QZK
	11		35100-ZJ1-841	SWITCH ASSY., COMBINATION ....	-	-	1	-	-----	PZE, PZE/A, QZA, QZA/A, QZA6, QZA6/A, QZB, QZB/A, QZB2, QZB2/A, QZE, QZE/A, QZE3, QZE3/A, QZE4, QZE4/A, QZE6, QZE6/A, QZF1, QZF1/A, QZF8, QZF8/A, TXF2, TXF2/A, VEP4, VEP4/A, VXE, VXE/A, VXE1, VXE1/A, VXE4, VXE4/A, VZA, VZA/A, VZA1, VZA1/A, VZE1, VZE1/A
					-	-	1	-	----- 2067382	QZK
		A	35100-ZJ1-842	.....	-	-	1	-	2067383 -----	QZK

NOTE A:PART NO. CHANGE D:NEWLY PROVIDED E:PART NO.DELETION K:REQUIRED NO. CORRECTION L:APPLICATION SERIAL NO. CORRECTION  
T:APPLICATION CORRECTION Z:REMARKS CHANGE



# PARTS CATALOGUE NEWS

Honda Motor Co., Ltd. Service Division

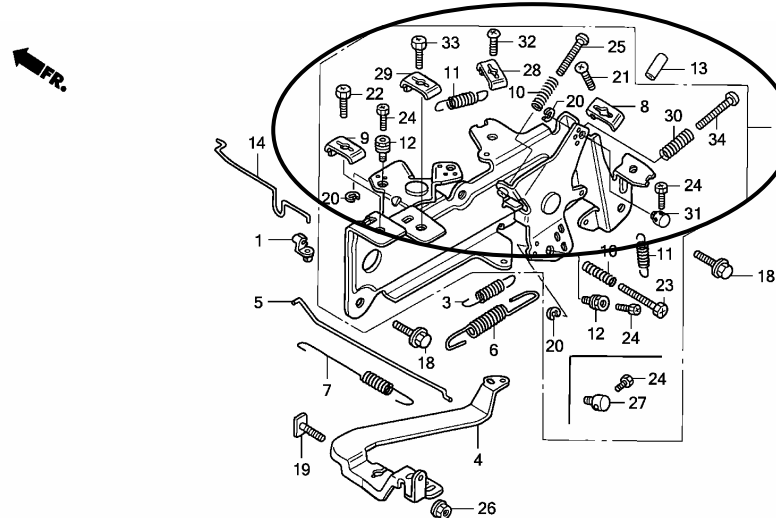
## PARTS CATALOGUE - CORRECTED

Printed in Japan

CODE NO.	BOOKLET TYPE	13ZJ00E2
	MICRO-FICHE	13ZJ00EB/FB
PARTS CATALOGUE NEWS	GX610 GX610K1 GX610[PROPANE ENGINE]	
NEWS NO.	023	

Block No.	Ref. No.	Note	Part No.	Description	Reqd. QTY				Serial No.	Parts catalogue code
					GX 610 (1)	GX 610 (2)	GX 610 K1	GX 610 (3)		

E-22-2 CONTROL (3)



ZJ00E2202C

NOTE A:PART NO. CHANGE D:NEWLY PROVIDED E:PART NO.DELETION K:REQUIRED NO. CORRECTION L:APPLICATION SERIAL NO. CORRECTION  
T:APPLICATION CORRECTION Z:REMARKS CHANGE

PARTS CATALOGUE NEWS

BOOKNo. : 13ZJ00E2

Block No.	Ref. No.	Note	Part No.	Description	Reqd. QTY				Serial No.	Parts catalogue code
					GX 610 (1)	GX 610 (2)	GX 610 K1	GX 610 (3)		
E-22-2	2		16500-ZJ1-861	CONTROL ASSY. ....	-	-	1	-	-----	QAF, QAF/A, QDF2, QDF2/A, QDX2, QDX2/A, QWF, QWF/A, QYF, QYF/A, QZE3, QZE3/A
					-	-	1	-	----- 2067516	QKF
	A		16500-ZJ1-R50	.....	-	-	1	-	2067517 -----	QKF
	8	K	16576-891-000	HOLDER, CABLE .....	-	-	1	-	-----	QAD2, QAD2/A, QAF, QAF/A, QDF2, QDF2/A, QDW/A, QDX2, QDX2/A, QWF, QWF/A, QYF, QYF/A, QZA/A, QZA6/A, QZE3, QZE3/A, TXF2/A
					-	-	1	-	----- 2067516	QKF
	9	K	16576-891-000	HOLDER, CABLE .....	-	-	1	-	-----	QAD2, QAD2/A, QAF/A, QDF, QDF2/A, QDW, QDW/A, QDX2/A, QWF/A, QYF/A, QZA, QZA/A, QZA6, QZA6/A, QZE3/A, TXF2, TXF2/A
	21	K	92301-05016-0A	BOLT, RECESSED, 5X16 .....	-	-	1	-	-----	QAD2/A, QAF, QAF/A, QDF2, QDF2/A, QDW/A, QDX2, QDX2/A, QWF, QWF/A, QYF, QYF/A, QZA/A, QZA6/A, QZE3, QZE3/A, TXF2/A
					-	-	1	-	----- 2067516	QKF
	22	K	92301-05016-0A	BOLT, RECESSED, 5X16 .....	-	-	1	-	-----	QAD2, QAD2/A, QAF/A, QDF, QDF2/A, QDW, QDW/A, QDX2/A, QWF/A, QYF/A, QZA, QZA/A, QZA6, QZA6/A, QZE3/A, TXF2, TXF2/A
	25		93500-05025-0A	SCREW, PAN, 5X25 .....	-	-	1	-	-----	QAD2, QAD2/A, QAF, QAF/A, QDF2, QDF2/A, QDW, QDW/A, QDX2, QDX2/A, QWF, QWF/A, QYF, QYF/A, QZA, QZA/A, QZA6, QZA6/A, QZE3, QZE3/A, TXF2, TXF2/A
					-	-	1	-	----- 2067516	QKF
	A		93500-05035-0A	SCREW, PAN, 5X35 .....	-	-	1	-	2067517 -----	QKF
	27	L	16617-ZJ1-840	HOLDER, CABLE .....	-	-	1	-	-----	QAD2, QAD2/A, QAF/A, QDF2/A, QDX2, QDX2/A, QWF, QWF/A, QYF/A, QZE3/A
					-	-	1	-	----- 2067516	QKF
					-	-	1	-	2001754 -----	QAF, QDF2, QYF, QZE3
	28	D	16576-891-000	HOLDER, CABLE .....	-	-	1	-	-----	QAD2, QAD2/A, QAF, QAF/A, QDF2, QDF2/A, QDW/A, QDX2, QDX2/A, QKF, QWF, QWF/A, QYF, QYF/A, QZA/A, QZA6/A, QZE3, QZE3/A, TXF2/A
	29	D	16576-891-000	HOLDER, CABLE .....	-	-	1	-	-----	QAD2, QAD2/A, QAF/A, QDF, QDF2/A, QDW, QDW/A, QDX2/A, QWF/A, QYF/A, QZA, QZA/A, QZA6, QZA6/A, QZE3/A, TXF2, TXF2/A

NOTE A:PART NO. CHANGE D:NEWLY PROVIDED E:PART NO. DELETION K:REQUIRED NO. CORRECTION L:APPLICATION SERIAL NO. CORRECTION  
T:APPLICATION CORRECTION Z:REMARKS CHANGE



PARTS CATALOGUE NEWS

BOOKNo. : 13ZJ00E2

Block No.	Ref. No.	Note	Part No.	Description	Reqd. QTY				Serial No.	Parts catalogue code
					GX 610 (1)	GX 610 (2)	GX 610 K1	GX 610 (3)		
					-	-	1	-	2067517 -----	QKF
	30	D	16584-883-300	SPRING, CONTROL ADJUSTING ....	-	-	1	-	2067517 -----	QKF
	31	D	16617-ZJ1-840	HOLDER, CABLE .....	-	-	1	-	2067517 -----	QKF
	32	D	92301-05016-0A	BOLT, RECESSED, 5X16 .....	-	-	1	-	-----	QAD2/A, QAF, QAF/A, QDF2, QDF2/A, QDW/A, QDX2, QDX2/A, QKF QWF, QWF/A, QYF, QYF/A, QZA/A, QZA6/A, QZE3, QZE3/A, TXF2/A
	33	D	92301-05016-0A	BOLT, RECESSED, 5X16 .....	-	-	1	-	-----	QAD2, QAD2/A, QAF/A, QDF, QDF2/A, QDW, QDW/A, QDX2/A QWF/A, QYF/A, QZA, QZA/A, QZA6, QZA6/A, QZE3/A, TXF2 TXF2/A
					-	-	1	-	2067517 -----	QKF
	34	D	93500-05035-0A	SCREW, PAN, 5X35 .....	-	-	1	-	2067517 -----	QKF

NOTE A:PART NO. CHANGE D:NEWLY PROVIDED E:PART NO.DELETION K:REQUIRED NO. CORRECTION L:APPLICATION SERIAL NO. CORRECTION  
T:APPLICATION CORRECTION Z:REMARKS CHANGE



# PARTS CATALOGUE NEWS

Honda Motor Co., Ltd. Service Division

## PARTS CATALOGUE - CORRECTED

Printed in Japan

CODE NO.	BOOKLET TYPE	13ZJ00E2
	MICRO-FICHE	13ZJ00EB/FB
PARTS CATALOGUE NEWS	GX610 GX610K1 GX610[PROPANE ENGINE]	
NEWS NO.	024	

Block No.	Ref. No.	Note	Part No.	Description	Reqd. QTY				Serial No.	Parts catalogue code
					GX 610 (1)	GX 610 (2)	GX 610 K1	GX 610 (3)		
E-23	3		31620-ZG5-023	RECTIFIER ASSY., REGULATOR (20A)	-	-	1	-	2067121 2068089	QKF, QWF/A, SWD/A
		A	31620-ZG5-033	.....	-	-	1	-	2068090 -----	QKF, QWF/A, SWD/A

NOTE A:PART NO. CHANGE D:NEWLY PROVIDED E:PART NO.DELETION K:REQUIRED NO. CORRECTION L:APPLICATION SERIAL NO. CORRECTION  
T:APPLICATION CORRECTION Z:REMARKS CHANGE



# PARTS CATALOGUE NEWS

Honda Motor Co., Ltd. Service Division

## PARTS CATALOGUE - CORRECTED

Printed in Japan

CODE NO.	BOOKLET TYPE	13ZJ00E2
	MICRO-FICHE	13ZJ00EB/FB
PARTS CATALOGUE NEWS	GX610 GX610K1 GX610[PROPANE ENGINE]	
NEWS NO.	025	

Block No.	Ref. No.	Note	Part No.	Description	Reqd. QTY				Serial No.	Parts catalogue code
					GX 610 (1)	GX 610 (2)	GX 610 K1	GX 610 (3)		
E-8-1	1		13010-ZJ1-841	RING SET, PISTON (STD.) (NIPPON)	-	-	2	-	-----	PZE, PZE/A, QAD2, QAD2/A, QAF, QAF/A, QAF2, QAF2/A, QDE QDE/A, QDF, QDF/A, QDF2, QDF2/A, QDF6, QDF6/A, QDW, QDW/A QDX2, QDX2/A, QWF, QYF, QYF/A, QZA, QZA/A, QZA6, QZA6/A QZB, QZB/A, QZB2, QZB2/A, QZE, QZE/A, QZE3, QZE3/A, QZE4 QZE4/A, QZE6, QZE6/A, QZF, QZF/A, QZF1, QZF1/A, QZF8 QZF8/A, QZX5, QZX5/A, SWD, TXF2, TXF2/A, VD, VD/A, VDF2 VDF2/A, VEP4, VEP4/A, VXD, VXD/A, VXE, VXE/A, VXE1, VXE1/A VXE3, VXE4, VXE4/A, VZA, VZA/A, VZA1, VZA1/A, VZA2, VZA2/A VZE1
					-	-	2	-	----- 2069303	QKF, QWF/A, QZK, SWD/A, VXE3/A, VZE1/A
			13011-ZJ1-841	RING SET, PISTON (0.25) (NIPPON)	-	-	(2)	-	-----	PZE, PZE/A, QAD2, QAD2/A, QAF, QAF/A, QAF2, QAF2/A, QDE QDE/A, QDF, QDF/A, QDF2, QDF2/A, QDF6, QDF6/A, QDW, QDW/A QDX2, QDX2/A, QWF, QYF, QYF/A, QZA, QZA/A, QZA6, QZA6/A QZB, QZB/A, QZB2, QZB2/A, QZE, QZE/A, QZE3, QZE3/A, QZE4 QZE4/A, QZE6, QZE6/A, QZF, QZF/A, QZF1, QZF1/A, QZF8 QZF8/A, QZX5, QZX5/A, SWD, TXF2, TXF2/A, VD, VD/A, VDF2 VDF2/A, VEP4, VEP4/A, VXD, VXD/A, VXE, VXE/A, VXE1, VXE1/A VXE3, VXE4, VXE4/A, VZA, VZA/A, VZA1, VZA1/A, VZA2, VZA2/A VZE1
					-	-	(2)	-	----- 2069303	QKF, QWF/A, QZK, SWD/A, VXE3/A, VZE1/A

NOTE A:PART NO. CHANGE D:NEWLY PROVIDED E:PART NO. DELETION K:REQUIRED NO. CORRECTION L:APPLICATION SERIAL NO. CORRECTION  
T:APPLICATION CORRECTION Z:REMARKS CHANGE

PARTS CATALOGUE NEWS

BOOKNo. : 13ZJ00E2

Block No.	Ref. No.	Note	Part No.	Description	Reqd. QTY				Serial No.	Parts catalogue code	
					GX 610 (1)	GX 610 (2)	GX 610 K1	GX 610 (3)			
			13012-ZJ1-841	RING SET, PISTON (0.50) (NIPPON)	-	-	(2)	-	-----	PZE, PZE/A, QAD2, QAD2/A, QAF, QAF/A, QAF2, QAF2/A, QDE QDE/A, QDF, QDF/A, QDF2, QDF2/A, QDF6, QDF6/A, QDW, QDW/A QDX2, QDX2/A, QWF, QYF, QYF/A, QZA, QZA/A, QZA6, QZA6/A QZB, QZB/A, QZB2, QZB2/A, QZE, QZE/A, QZE3, QZE3/A, QZE4 QZE4/A, QZE6, QZE6/A, QZF, QZF/A, QZF1, QZF1/A, QZF8 QZF8/A, QZX5, QZX5/A, SWD, TXF2, TXF2/A, VD, VD/A, VDF2 VDF2/A, VEP4, VEP4/A, VXD, VXD/A, VXE, VXE/A, VXE1, VXE1/A VXE3, VXE4, VXE4/A, VZA, VZA/A, VZA1, VZA1/A, VZA2, VZA2/A VZE1	
					-	-	(2)	-	-----	2069303 QKF, QWF/A, QZK, SWD/A, VXE3/A, VZE1/A	
			13013-ZJ1-841	RING SET, PISTON (0.75) (NIPPON)	-	-	(2)	-	-----	PZE, PZE/A, QAD2, QAD2/A, QAF, QAF/A, QAF2, QAF2/A, QDE QDE/A, QDF, QDF/A, QDF2, QDF2/A, QDF6, QDF6/A, QDW, QDW/A QDX2, QDX2/A, QWF, QYF, QYF/A, QZA, QZA/A, QZA6, QZA6/A QZB, QZB/A, QZB2, QZB2/A, QZE, QZE/A, QZE3, QZE3/A, QZE4 QZE4/A, QZE6, QZE6/A, QZF, QZF/A, QZF1, QZF1/A, QZF8 QZF8/A, QZX5, QZX5/A, SWD, TXF2, TXF2/A, VD, VD/A, VDF2 VDF2/A, VEP4, VEP4/A, VXD, VXD/A, VXE, VXE/A, VXE1, VXE1/A VXE3, VXE4, VXE4/A, VZA, VZA/A, VZA1, VZA1/A, VZA2, VZA2/A VZE1	
					-	-	(2)	-	-----	2069303 QKF, QWF/A, QZK, SWD/A, VXE3/A, VZE1/A	
	A		13010-Z5H-004	RING SET, PISTON (STD.) (TEIKOKU)	-	-	2	-	2069304	-----	QKF, QWF/A, QZK, SWD/A, VXE3/A, VZE1/A
	A		13011-Z5H-004	RING SET, PISTON (0.25) (TEIKOKU)	-	-	(2)	-	2069304	-----	QKF, QWF/A, QZK, SWD/A, VXE3/A, VZE1/A
	A		13012-Z5H-004	RING SET, PISTON (0.50) (TEIKOKU)	-	-	(2)	-	2069304	-----	QKF, QWF/A, QZK, SWD/A, VXE3/A, VZE1/A
	A		13013-Z5H-004	RING SET, PISTON (0.75) (TEIKOKU)	-	-	(2)	-	2069304	-----	QKF, QWF/A, QZK, SWD/A, VXE3/A, VZE1/A
	2		13101-ZJ1-840	PISTON (STD.)	-	-	2	-	-----	-----	PZE, PZE/A, QAD2, QAD2/A, QAF, QAF/A, QAF2, QAF2/A, QDE QDE/A, QDF, QDF/A, QDF2, QDF2/A, QDF6, QDF6/A, QDW, QDW/A QDX2, QDX2/A, QWF, QYF, QYF/A, QZA, QZA/A, QZA6, QZA6/A QZB, QZB/A, QZB2, QZB2/A, QZE, QZE/A, QZE3, QZE3/A, QZE4 QZE4/A, QZE6, QZE6/A, QZF, QZF/A, QZF1, QZF1/A, QZF8 QZF8/A, QZX5, QZX5/A, SWD, TXF2, TXF2/A, VD, VD/A, VDF2 VDF2/A, VEP4, VEP4/A, VXD, VXD/A, VXE, VXE/A, VXE1, VXE1/A VXE3, VXE4, VXE4/A, VZA, VZA/A, VZA1, VZA1/A, VZA2, VZA2/A VZE1

NOTE A:PART NO. CHANGE D:NEWLY PROVIDED E:PART NO. DELETION K:REQUIRED NO. CORRECTION L:APPLICATION SERIAL NO. CORRECTION  
T:APPLICATION CORRECTION Z:REMARKS CHANGE

PARTS CATALOGUE NEWS

BOOKNo. : 13ZJ00E2

Block No.	Ref. No.	Note	Part No.	Description	Reqd. QTY				Serial No.	Parts catalogue code
					GX 610 (1)	GX 610 (2)	GX 610 K1	GX 610 (3)		
					-	-	2	-	----- 2069303	KKF, QWF/A, QZK, SWD/A, VXE3/A, VZE1/A
			13102-ZJ1-840	PISTON (0.25) .....	-	-	(2)	-	-----	PZE, PZE/A, QAD2, QAD2/A, QAF, QAF/A, QAF2, QAF2/A, QDE QDE/A, QDF, QDF/A, QDF2, QDF2/A, QDF6, QDF6/A, QDW, QDW/A QDX2, QDX2/A, QWF, QYF, QYF/A, QZA, QZA/A, QZA6, QZA6/A QZB, QZB/A, QZB2, QZB2/A, QZE, QZE/A, QZE3, QZE3/A, QZE4 QZE4/A, QZE6, QZE6/A, QZF, QZF/A, QZF1, QZF1/A, QZF8 QZF8/A, QZX5, QZX5/A, SWD, TXF2, TXF2/A, VD, VD/A, VDF2 VDF2/A, VEP4, VEP4/A, VXD, VXD/A, VXE, VXE/A, VXE1, VXE1/A VXE3, VXE4, VXE4/A, VZA, VZA/A, VZA1, VZA1/A, VZA2, VZA2/A VZE1
					-	-	(2)	-	----- 2069303	KKF, QWF/A, QZK, SWD/A, VXE3/A, VZE1/A
			13103-ZJ1-840	PISTON (0.50) .....	-	-	(2)	-	-----	PZE, PZE/A, QAD2, QAD2/A, QAF, QAF/A, QAF2, QAF2/A, QDE QDE/A, QDF, QDF/A, QDF2, QDF2/A, QDF6, QDF6/A, QDW, QDW/A QDX2, QDX2/A, QWF, QYF, QYF/A, QZA, QZA/A, QZA6, QZA6/A QZB, QZB/A, QZB2, QZB2/A, QZE, QZE/A, QZE3, QZE3/A, QZE4 QZE4/A, QZE6, QZE6/A, QZF, QZF/A, QZF1, QZF1/A, QZF8 QZF8/A, QZX5, QZX5/A, SWD, TXF2, TXF2/A, VD, VD/A, VDF2 VDF2/A, VEP4, VEP4/A, VXD, VXD/A, VXE, VXE/A, VXE1, VXE1/A VXE3, VXE4, VXE4/A, VZA, VZA/A, VZA1, VZA1/A, VZA2, VZA2/A VZE1
					-	-	(2)	-	----- 2069303	KKF, QWF/A, QZK, SWD/A, VXE3/A, VZE1/A
			13104-ZJ1-840	PISTON (0.75) .....	-	-	(2)	-	-----	PZE, PZE/A, QAD2, QAD2/A, QAF, QAF/A, QAF2, QAF2/A, QDE QDE/A, QDF, QDF/A, QDF2, QDF2/A, QDF6, QDF6/A, QDW, QDW/A QDX2, QDX2/A, QWF, QYF, QYF/A, QZA, QZA/A, QZA6, QZA6/A QZB, QZB/A, QZB2, QZB2/A, QZE, QZE/A, QZE3, QZE3/A, QZE4 QZE4/A, QZE6, QZE6/A, QZF, QZF/A, QZF1, QZF1/A, QZF8 QZF8/A, QZX5, QZX5/A, SWD, TXF2, TXF2/A, VD, VD/A, VDF2 VDF2/A, VEP4, VEP4/A, VXD, VXD/A, VXE, VXE/A, VXE1, VXE1/A VXE3, VXE4, VXE4/A, VZA, VZA/A, VZA1, VZA1/A, VZA2, VZA2/A VZE1
					-	-	(2)	-	----- 2069303	KKF, QWF/A, QZK, SWD/A, VXE3/A, VZE1/A
	A		13101-ZJ1-841	PISTON (STD.) .....	-	-	2	-	2069304	KKF, QWF/A, QZK, SWD/A, VXE3/A, VZE1/A
	A		13102-ZJ1-841	PISTON (0.25) .....	-	-	(2)	-	2069304	KKF, QWF/A, QZK, SWD/A, VXE3/A, VZE1/A
	A		13103-ZJ1-841	PISTON (0.50) .....	-	-	(2)	-	2069304	KKF, QWF/A, QZK, SWD/A, VXE3/A, VZE1/A
	A		13104-ZJ1-841	PISTON (0.75) .....	-	-	(2)	-	2069304	KKF, QWF/A, QZK, SWD/A, VXE3/A, VZE1/A

NOTE A:PART NO. CHANGE D:NEWLY PROVIDED E:PART NO. DELETION K:REQUIRED NO. CORRECTION L:APPLICATION SERIAL NO. CORRECTION  
T:APPLICATION CORRECTION Z:REMARKS CHANGE

PARTS CATALOGUE NEWS

BOOKNo. : 13ZJ00E2

Block No.	Ref. No.	Note	Part No.	Description	Reqd. QTY				Serial No.	Parts catalogue code	
					GX 610 (1)	GX 610 (2)	GX 610 K1	GX 610 (3)			
E-9-1	10		14730-ZJ1-841	LIFTER ASSY., VALVE .....	-	-	1	-	-----	PZE, PZE/A, QAD2, QAD2/A, QAF, QAF/A, QAF2, QAF2/A, QDE QDE/A, QDF, QDF/A, QDF2, QDF2/A, QDF6, QDF6/A, QDW, QDW/A QDX2, QDX2/A, QWF, QYF, QYF/A, QZA, QZA/A, QZA6, QZA6/A QZB, QZB/A, QZB2, QZB2/A, QZE, QZE/A, QZE3, QZE3/A, QZE4 QZE4/A, QZE6, QZE6/A, QZF, QZF/A, QZF1, QZF1/A, QZF8 QZF8/A, QZX5, QZX5/A, SWD, TXF2, TXF2/A, VD, VD/A, VDF2 VDF2/A, VEP4, VEP4/A, VXD, VXD/A, VXE, VXE/A, VXE1, VXE1/A VXE3, VXE4, VXE4/A, VZA, VZA/A, VZA1, VZA1/A, VZA2, VZA2/A VZE1	
					-	-	1	-	-----	2068850 QKF, QWF/A, QZK, SWD/A, VXE3/A, VZE1/A	
		A	14730-ZJ1-842	.....	-	-	1	-	2068851	-----	QKF, QWF/A, QZK, SWD/A, VXE3/A, VZE1/A

NOTE A:PART NO. CHANGE D:NEWLY PROVIDED E:PART NO. DELETION K:REQUIRED NO. CORRECTION L:APPLICATION SERIAL NO. CORRECTION T:APPLICATION CORRECTION Z:REMARKS CHANGE



# PARTS CATALOGUE NEWS

Honda Motor Co., Ltd. Service Division

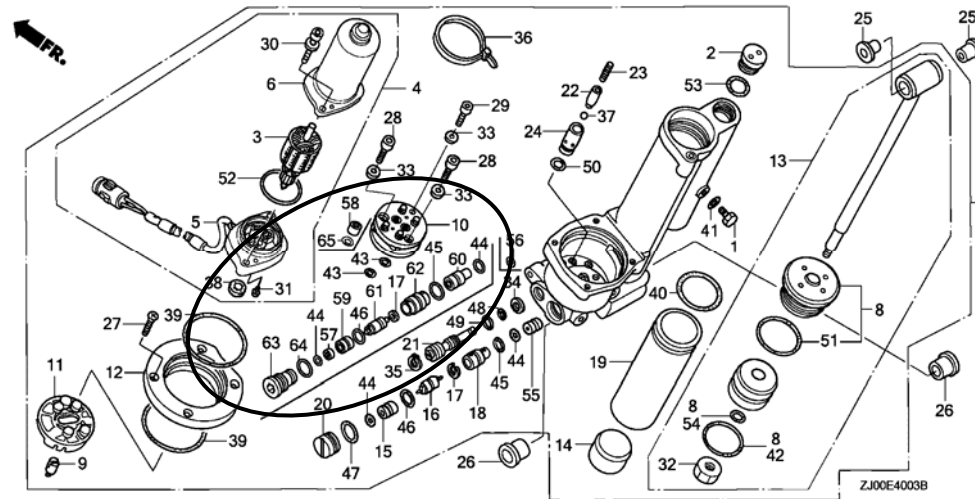
## PARTS CATALOGUE - CORRECTED

Printed in Japan

CODE NO.	BOOKLET TYPE	13ZJ00E2
	MICRO-FICHE	13ZJ00EB/FB
PARTS CATALOGUE NEWS	GX610 GX610K1 GX610[PROPANE ENGINE]	
NEWS NO.	026	

Block No.	Ref. No.	Note	Part No.	Description	Reqd. QTY				Serial No.	Parts catalogue code
					GX 610 (1)	GX 610 (2)	GX 610 K1	GX 610 (3)		

E-40-3 OTHER PARTS (4)



E-40-3	7	56000-797-A04	HEIGHT ASSY., POWER .....	-	-	1	-	2063151	2064218	SWD/A
--------	---	---------------	---------------------------	---	---	---	---	---------	---------	-------

NOTE A:PART NO. CHANGE D:NEWLY PROVIDED E:PART NO.DELETION K:REQUIRED NO. CORRECTION L:APPLICATION SERIAL NO. CORRECTION  
T:APPLICATION CORRECTION Z:REMARKS CHANGE

## PARTS CATALOGUE NEWS

BOOKNo. : 13ZJ00E2

Block No.	Ref. No.	Note	Part No.	Description	Reqd. QTY				Serial No.		Parts catalogue code
					GX 610 (1)	GX 610 (2)	GX 610 K1	GX 610 (3)			
		A	56000-797-A05	.....	-	-	1	-	2064219	2067120	SWD/A
		A	56000-797-A06	.....	-	-	1	-	2067121	-----	SWD/A
	13		56120-797-A02	ROD COMP., PISTON .....	-	-	1	-	2063151	2064218	SWD/A
		A	56120-797-A03	.....	-	-	1	-	2064219	-----	SWD/A
	15	L	56140-ZV5-822	VALVE COMP., (B) .....	-	-	1	-	-----	-----	SWD
					-	-	1	-	-----	2064218	SWD/A
	16	L	56150-V15-013	SPOOL COMP., VALVE .....	-	-	1	-	2063151	2064218	SWD/A
	18	L	56161-ZV5-822	SLEEVE .....	-	-	1	-	-----	-----	SWD
					-	-	1	-	-----	2064218	SWD/A
	20	L	56163-ZY1-871	PLUG COMP. ....	-	-	1	-	-----	-----	SWD
					-	-	1	-	-----	2064218	SWD/A
	36		90621-797-A01	BAND, WIRE HARNESS .....	-	-	1	-	2063151	2064218	SWD/A
		A	90620-766-801	.....	-	-	1	-	2064219	-----	SWD/A
	43	L	91304-ZV5-821	O-RING .....	-	-	2	-	-----	-----	SWD
					-	-	2	-	-----	2064218	SWD/A
	47	L	91308-ZV5-821	O-RING .....	-	-	1	-	-----	-----	SWD
					-	-	1	-	-----	2064218	SWD/A
	57	D	56116-V15-003	FILTER .....	-	-	1	-	2064219	-----	SWD/A
	58	D	56117-V15-003	FILTER A .....	-	-	2	-	2064219	-----	SWD/A
	59	D	56140-797-A02	VALVE COMP. B .....	-	-	1	-	2064219	2067120	SWD/A
		A	56140-797-A03	.....	-	-	1	-	2067121	-----	SWD/A
	60	D	56142-797-A01	VALVE COMP. C .....	-	-	1	-	2064219	2067120	SWD/A
		A	56142-797-A02	.....	-	-	1	-	2067121	-----	SWD/A
	61	D	56150-V15-702	SPOOL COMP., VALVE .....	-	-	1	-	2064219	2067120	SWD/A

NOTE A:PART NO. CHANGE D:NEWLY PROVIDED E:PART NO.DELETION K:REQUIRED NO. CORRECTION L:APPLICATION SERIAL NO. CORRECTION  
T:APPLICATION CORRECTION Z:REMARKS CHANGE



PARTS CATALOGUE NEWS

BOOKNo. : 13ZJ00E2

Block No.	Ref. No.	Note	Part No.	Description	Reqd. QTY				Serial No.	Parts catalogue code
					GX 610 (1)	GX 610 (2)	GX 610 K1	GX 610 (3)		
		A	56150-V15-703	.....	-	-	1	-	2067121 -----	SWD/A
	62	D	56161-V15-003	SLEEVE .....	-	-	1	-	2064219 -----	SWD/A
	63	D	56163-797-A01	PLUG C .....	-	-	1	-	2064219 -----	SWD/A
	64	D	91308-V15-003	O-RING .....	-	-	1	-	2064219 -----	SWD/A
	65	D	91309-797-A01	O-RING .....	-	-	2	-	2064219 -----	SWD/A

NOTE A:PART NO. CHANGE D:NEWLY PROVIDED E:PART NO.DELETION K:REQUIRED NO. CORRECTION L:APPLICATION SERIAL NO. CORRECTION  
T:APPLICATION CORRECTION Z:REMARKS CHANGE



# PARTS CATALOGUE NEWS

Honda Motor Co., Ltd. Service Division

## PARTS CATALOGUE - CORRECTED

Printed in Japan

CODE NO.	BOOKLET TYPE	13ZJ00E2
	MICRO-FICHE	13ZJ00EB/FB
PARTS CATALOGUE NEWS	GX610 GX610K1 GX610[PROPANE ENGINE]	
NEWS NO.	027	

Block No.	Ref. No.	Note	Part No.	Description	Reqd. QTY				Serial No.	Parts catalogue code
					GX 610 (1)	GX 610 (2)	GX 610 K1	GX 610 (3)		
E-3-1	1		12000-ZJ1-405	BARREL ASSY., CYLINDER .....	-	-	1	-	-----	QAD2/A, QAF/A, QAF2/A, QDE/A, QDF/A, QDF2/A, QDF6/A, QDW/A, QWF, QYF/A, QZF/A
					-	-	1	-	-----	2069343 QKF, QWF/A
					-	-	1	-	2012043	----- QAD2, QAF, QAF2, QDE, QDF, QDF2, QDF6, QDW, QYF, QZF
			12000-ZJ1-406	.....	-	-	1	-	-----	PZE/A, QZA/A, QZA6/A, QZB/A, QZB2/A, QZE/A, QZE3/A, QZE4/A, QZE6/A, QZF1/A, QZF8, QZF8/A, QZX5, QZX5/A, TXF2/A, VD, VD/A, VEP4, VEP4/A, VXD, VXD/A, VXE/A, VXE1/A, VXE4/A, VZA/A, VZA1/A, VZA2, VZA2/A
					-	-	1	-	-----	2069761 QZK, VXE3/A, VZE1/A
					-	-	1	-	2011642	----- PZE, QZA, QZA6, QZB, QZB2, QZE, QZE3, QZE4, QZE6, QZF1, TXF2, VXE, VXE1, VXE3, VXE4, VZA, VZA1, VZE1
			12000-ZJ1-408	.....	-	-	1	-	-----	QDX2, QDX2/A, SWD
					-	-	1	-	-----	2069303 SWD/A
	A		12000-ZJ1-415	.....	-	-	1	-	2069344	----- QKF, QWF/A
	A		12000-ZJ1-416	.....	-	-	1	-	2069762	----- QZK, VXE3/A, VZE1/A
	A		12000-ZJ1-418	.....	-	-	1	-	2069304	----- SWD/A

NOTE A:PART NO. CHANGE D:NEWLY PROVIDED E:PART NO. DELETION K:REQUIRED NO. CORRECTION L:APPLICATION SERIAL NO. CORRECTION  
T:APPLICATION CORRECTION Z:REMARKS CHANGE

PARTS CATALOGUE NEWS

BOOKNo. : 13ZJ00E2

Block No.	Ref. No.	Note	Part No.	Description	Reqd. QTY				Serial No.	Parts catalogue code
					GX 610 (1)	GX 610 (2)	GX 610 K1	GX 610 (3)		
E-22-3	2	T	16500-ZJ1-850	CONTROL ASSY. ....	-	-	1	-	-----	PZE, QAF2, QDE, QDF, QDF6, QZB, QZB2, QZE, QZE4, QZE6, QZF, QZF1, QZF8, QZX5, VEP4, VXE, VXE1, VXE3, VXE4, VZA, VZA1, VZE1
		T	16500-ZJ1-851	.....	-	-	1	-	-----	PZE/A, QAF2/A, QDE/A, QDF/A, QDF6/A, QZB/A, QZB2/A, QZE/A, QZE4/A, QZE6/A, QZF/A, QZF1/A, QZF8/A, QZK, QZX5/A, VEP4/A, VXE/A, VXE1/A, VXE3/A, VXE4/A, VZA/A, VZA1/A, VZE1/A
	8	T	16570-ZJ1-850	ARM COMP., CONTROL .....	-	-	1	-	-----	PZE, QAF2, QDE, QDF, QDF6, QZB, QZB2, QZE, QZE4, QZE6, QZF, QZF1, QZF8, QZX5, VEP4, VXE, VXE1, VXE3, VXE4, VZA, VZA1, VZE1
		T	16570-ZJ1-851	.....	-	-	1	-	-----	PZE/A, QAF2/A, QDE/A, QDF/A, QDF6/A, QZB/A, QZB2/A, QZE/A, QZE4/A, QZE6/A, QZF/A, QZF1/A, QZF8/A, QZK, QZX5/A, VEP4/A, VXE/A, VXE1/A, VXE3/A, VXE4/A, VZA/A, VZA1/A, VZE1/A

NOTE A:PART NO. CHANGE D:NEWLY PROVIDED E:PART NO.DELETION K:REQUIRED NO. CORRECTION L:APPLICATION SERIAL NO. CORRECTION  
T:APPLICATION CORRECTION Z:REMARKS CHANGE



# PARTS CATALOGUE NEWS

Honda Motor Co., Ltd. Service Division

## PARTS CATALOGUE - CORRECTED

Printed in Japan

CODE NO.	BOOKLET TYPE	13ZJ00E2
	MICRO-FICHE	13ZJ00EB/FB
PARTS CATALOGUE NEWS	GX610 GX610K1 GX610[PROPANE ENGINE]	
NEWS NO.	028	

Block No.	Ref. No.	Note	Part No.	Description	Reqd. QTY				Serial No.	Parts catalogue code	
					GX 610 (1)	GX 610 (2)	GX 610 K1	GX 610 (3)			
E-14-2	3	L	16010-ZG8-000	GASKET SET .....	-	-	1	-	-----	PZE, PZE/A, QAD2, QAD2/A, QAF, QAF/A, QAF2, QAF2/A, QDE QDE/A, QDF, QDF/A, QDF2, QDF2/A, QDF6, QDF6/A, QDW, QDW/A QDX2, QDX2/A, QWF, QWF/A, QYF, QYF/A, QZA, QZA/A, QZA6 QZA6/A, QZB, QZB/A, QZB2, QZB2/A, QZE, QZE/A, QZE3, QZE3/A QZE4, QZE4/A, QZE6, QZE6/A, QZF, QZF/A, QZF1, QZF1/A, QZF8 QZF8/A, QZK, TXF2, TXF2/A, VDF2, VDF2/A, VEP4, VEP4/A, VXD VXD/A, VXE, VXE/A, VXE1, VXE1/A, VXE3, VXE3/A, VXE4 VXE4/A, VZA, VZA/A, VZA1, VZA1/A, VZE1, VZE1/A	
				(CARBURETOR NO.)	-	-	1	-	-----	BG21H C QKF	
				(CARBURETOR NO.)	-	-	1	-	-----	BG21N A VD	
		T	16010-ZJ1-851	.....	-	-	1	-	-----	SWD, SWD/A	
				(CARBURETOR NO.)	-	-	1	-	BG21T A	-----	QKF
	6	L	16015-ZJ1-841	CHAMBER SET, FLOAT .....	-	-	1	-	-----	PZE, PZE/A, QAD2, QAD2/A, QAF, QAF/A, QAF2, QAF2/A, QDE QDE/A, QDF, QDF/A, QDF2, QDF2/A, QDF6, QDF6/A, QDW, QDW/A QDX2, QDX2/A, QWF, QWF/A, QYF, QYF/A, QZA, QZA/A, QZA6 QZA6/A, QZB, QZB/A, QZB2, QZB2/A, QZE, QZE/A, QZE3, QZE3/A QZE4, QZE4/A, QZE6, QZE6/A, QZF, QZF/A, QZF1, QZF1/A, QZF8 QZF8/A, QZK, TXF2, TXF2/A, VDF2, VDF2/A, VEP4, VEP4/A, VXD VXD/A, VXE, VXE/A, VXE1, VXE1/A, VXE3, VXE3/A, VXE4 VXE4/A, VZA, VZA/A, VZA1, VZA1/A, VZE1, VZE1/A	

NOTE A:PART NO. CHANGE D:NEWLY PROVIDED E:PART NO. DELETION K:REQUIRED NO. CORRECTION L:APPLICATION SERIAL NO. CORRECTION  
T:APPLICATION CORRECTION Z:REMARKS CHANGE

PARTS CATALOGUE NEWS

BOOKNo. : 13ZJ00E2

Block No.	Ref. No.	Note	Part No.	Description	Reqd. QTY				Serial No.	Parts catalogue code
					GX 610 (1)	GX 610 (2)	GX 610 K1	GX 610 (3)		
				(CARBURETOR NO.)	-	-	1	-	----- BG21H C	QKF
				(CARBURETOR NO.)	-	-	1	-	----- BG21N A	VD
	8	L	16024-124-760	SCREW SET, DRAIN .....	-	-	1	-	-----	PZE, PZE/A, QAD2, QAD2/A, QAF, QAF/A, QAF2, QAF2/A, QDE QDE/A, QDF, QDF/A, QDF2, QDF2/A, QDF6, QDF6/A, QDW, QDW/A QDX2, QDX2/A, QWF, QWF/A, QYF, QYF/A, QZA, QZA/A, QZA6 QZA6/A, QZB, QZB/A, QZB2, QZB2/A, QZE, QZE/A, QZE3, QZE3/A QZE4, QZE4/A, QZE6, QZE6/A, QZF, QZF/A, QZF1, QZF1/A, QZF8 QZF8/A, QZK, QZX5, QZX5/A, TXF2, TXF2/A, VD, VD/A, VDF2 VDF2/A, VEP4, VEP4/A, VXD, VXD/A, VXE, VXE/A, VXE1, VXE1/A VXE3, VXE3/A, VXE4, VXE4/A, VZA, VZA/A, VZA1, VZA1/A, VZA2 VZA2/A, VZE1, VZE1/A
				(CARBURETOR NO.)	-	-	1	-	----- BG21H C	QKF
	29	T	16015-ZJ1-852	CHAMBER SET, FLOAT .....	-	-	1	-	-----	SWD, SWD/A
				(CARBURETOR NO.)	-	-	1	-	BG21T A -----	QKF

NOTE A:PART NO. CHANGE D:NEWLY PROVIDED E:PART NO. DELETION K:REQUIRED NO. CORRECTION L:APPLICATION SERIAL NO. CORRECTION  
T:APPLICATION CORRECTION Z:REMARKS CHANGE



# PARTS CATALOGUE NEWS

Honda Motor Co., Ltd. Service Division

## PARTS CATALOGUE - CORRECTED

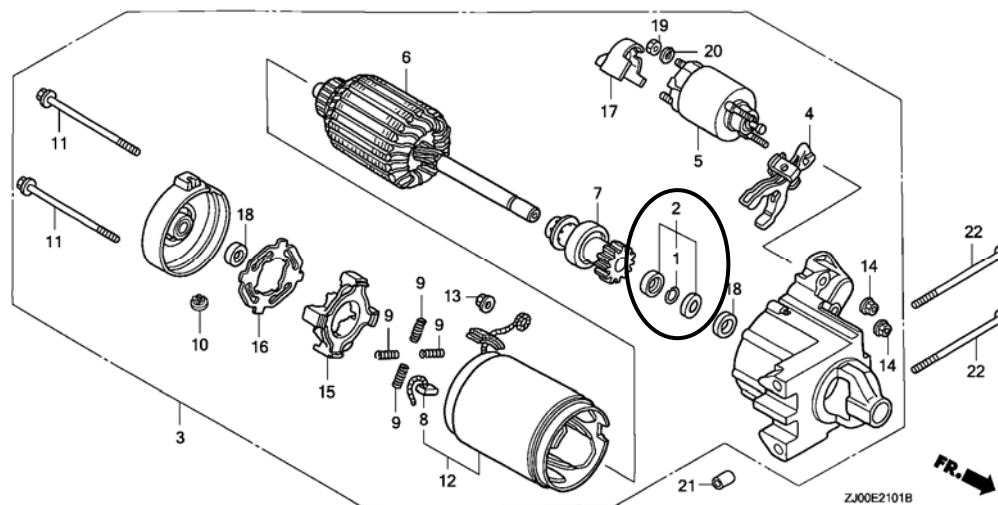
Printed in Japan

CODE NO.	BOOKLET TYPE	13ZJ00E2
	MICRO-FICHE	13ZJ00EB/FB
PARTS CATALOGUE NEWS	GX610 GX610K1 GX610[PROPANE ENGINE]	
NEWS NO.	029	

Block No.	Ref. No.	Note	Part No.	Description	Reqd. QTY				Serial No.	Parts catalogue code
					GX 610 (1)	GX 610 (2)	GX 610 K1	GX 610 (3)		

E-21-1 STARTER MOTOR (2)

**ILLUSTRATION CORRECTED**



NOTE A:PART NO. CHANGE D:NEWLY PROVIDED E:PART NO.DELETION K:REQUIRED NO. CORRECTION L:APPLICATION SERIAL NO. CORRECTION  
T:APPLICATION CORRECTION Z:REMARKS CHANGE



# PARTS CATALOGUE NEWS

Honda Motor Co., Ltd. Service Division

## PARTS CATALOGUE - CORRECTED

Printed in Japan

CODE NO.	BOOKLET TYPE	13ZJ00E2
	MICRO- FICHE	13ZJ00EB/FB
PARTS CATALOGUE NEWS	GX610 GX610K1 GX610[PROPANE ENGINE]	
NEWS NO.	030	

Block No.	Ref. No.	Note	Part No.	Description	Reqd. QTY				Serial No.	Parts catalogue code	
					GX 610 (1)	GX 610 (2)	GX 610 K1	GX 610 (3)			
E-28-1	7		87532-ZH8-810	MARK, OIL ALERT (ENGLISH) . . . .	-	-	1	-	-----	PZE, PZE/A, QZA, QZA/A, QZA6, QZA6/A, QZB, QZB/A, QZE, QZE/A, QZE6, QZE6/A, QZF1, QZF1/A, QZF8, QZF8/A, VXE, VXE/A, VXE1, VXE1/A, VXE3, VZA, VZA/A, VZA1, VZA1/A, VZE1	
					-	-	1	-	-----	2070946 VXE3/A, VZE1/A	
		A	87530-ZL8-850	.....	-	-	1	-	2070947	-----	VXE3/A, VZE1/A

NOTE A:PART NO. CHANGE D:NEWLY PROVIDED E:PART NO. DELETION K:REQUIRED NO. CORRECTION L:APPLICATION SERIAL NO. CORRECTION  
T:APPLICATION CORRECTION Z:REMARKS CHANGE



# PARTS CATALOGUE NEWS

Honda Motor Co., Ltd. Service Division

## PARTS CATALOGUE - CORRECTED

Printed in Japan

CODE NO.	BOOKLET TYPE	13ZJ00E2
	MICRO- FICHE	13ZJ00EB/FB
PARTS CATALOGUE NEWS	GX610 GX610K1 GX610[PROPANE ENGINE]	
NEWS NO.	031	

Block No.	Ref. No.	Note	Part No.	Description	Reqd. QTY				Serial No.	Parts catalogue code
					GX 610 (1)	GX 610 (2)	GX 610 K1	GX 610 (3)		
E-2-1	27	T	32112-735-A10	BRACKET, HARNESS CLIP (A) . . . .	-	-	1	-	-----	SWD, SWD/A
					-	-	1	-	2073019	-----
	28	T	90601-ZJ1-851	CLIP, TUBE . . . . .	-	-	1	-	-----	SWD, SWD/A
					-	-	1	-	2073019	-----

NOTE A:PART NO. CHANGE D:NEWLY PROVIDED E:PART NO.DELETION K:REQUIRED NO. CORRECTION L:APPLICATION SERIAL NO. CORRECTION  
T:APPLICATION CORRECTION Z:REMARKS CHANGE

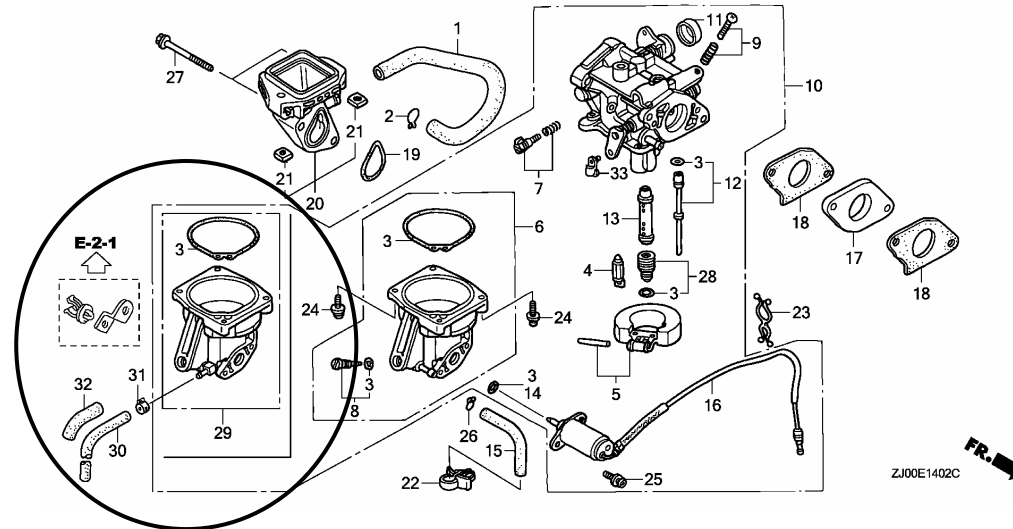


PARTS CATALOGUE NEWS

BOOKNo. : 13ZJ00E2

Block No.	Ref. No.	Note	Part No.	Description	Reqd. QTY				Serial No.	Parts catalogue code
					GX 610 (1)	GX 610 (2)	GX 610 K1	GX 610 (3)		

E-14-2 CARBURETOR (3)



E-14-2	10		16100-ZJ0-833	CARBURETOR ASSY. (BG21H C) ...	-	-	1	-	2067381	-----	QWF/A, QZK, VXE3/A, VZE1/A
							1	-	2067381	2073018	QKF
		A	16100-ZJ0-S31	CARBURETOR ASSY. (BG21T A) ...	-	-	1	-	2073019	-----	QKF
	15	L	16198-ZJ1-840	TUBE, DRAIN .....	-	-	1	-	-----	-----	PZE, PZE/A, QAD2, QAD2/A, QAF, QAF/A, QAF2, QAF2/A, QDE, QDE/A, QDF, QDF/A, QDF2, QDF2/A, QDF6, QDF6/A, QDW, QDW/A, QDX2, QDX2/A, QWF, QWF/A, QYF, QYF/A, QZA, QZA/A, QZA6, QZA6/A, QZB, QZB/A, QZB2, QZB2/A, QZE, QZE/A, QZE3, QZE3/A, QZE4, QZE4/A, QZE6, QZE6/A, QZF, QZF/A, QZF1, QZF1/A, QZF8, QZF8/A, QZK, QZX5, QZX5/A, TXF2, TXF2/A, VD, VD/A, VDF2, VDF2/A, VEP4, VEP4/A, VXD, VXD/A, VXE, VXE/A, VXE1, VXE1/A, VXE3, VXE3/A, VXE4, VXE4/A, VZA, VZA/A, VZA1, VZA1/A, VZA2, VZA2/A, VZE1, VZE1/A
							1	-	-----	2073018	QKF

NOTE A:PART NO. CHANGE D:NEWLY PROVIDED E:PART NO.DELETION K:REQUIRED NO. CORRECTION L:APPLICATION SERIAL NO. CORRECTION  
T:APPLICATION CORRECTION Z:REMARKS CHANGE

PARTS CATALOGUE NEWS

BOOKNo. : 13ZJ00E2

Block No.	Ref. No.	Note	Part No.	Description	Reqd. QTY				Serial No.	Parts catalogue code
					GX 610 (1)	GX 610 (2)	GX 610 K1	GX 610 (3)		
	26	L	95002-02080	CLIP, TUBE (B8) .....	-	-	1	-	-----	PZE, PZE/A, QAD2, QAD2/A, QAF, QAF/A, QAF2, QAF2/A, QDE QDE/A, QDF, QDF/A, QDF2, QDF2/A, QDF6, QDF6/A, QDW, QDW/A QDX2, QDX2/A, QWF, QWF/A, QYF, QYF/A, QZA, QZA/A, QZA6 QZA6/A, QZB, QZB/A, QZB2, QZB2/A, QZE, QZE/A, QZE3, QZE3/A QZE4, QZE4/A, QZE6, QZE6/A, QZF, QZF/A, QZF1, QZF1/A, QZF8 QZF8/A, QZK, QZX5, QZX5/A, SWD, SWD/A, TXF2, TXF2/A, VD VD/A, VDF2, VDF2/A, VEP4, VEP4/A, VXD, VXD/A, VXE, VXE/A VXE1, VXE1/A, VXE3, VXE3/A, VXE4, VXE4/A, VZA, VZA/A, VZA1 VZA1/A, VZA2, VZA2/A, VZE1, VZE1/A
					-	-	1	-	-----	2073018 QKF
	30	D	95001-45460-50	HOSE, FUEL, 4.5X460 (95001-45001-50M)	-	-	1	-	2073019 -----	QKF
	31	T	95002-40850-08	CLAMP, TUBE (D8.5) .....	-	-	1	-	-----	SWD, SWD/A
					-	-	1	-	2073019 -----	QKF
	32	T	95003-36010-20	TUBE, VINYL, 11X13X100 (95003-36001-10M)	-	-	1	-	-----	SWD, SWD/A
					-	-	1	-	2073019 -----	QKF
E-20	16	L	32763-PA0-000	CLAMP, CORD .....	-	-	1	-	-----	PZE, PZE/A, QAD2, QAD2/A, QAF, QAF/A, QAF2, QAF2/A, QDE QDE/A, QDF, QDF/A, QDF2, QDF2/A, QDF6, QDF6/A, QDW, QDW/A QDX2, QDX2/A, QWF, QWF/A, QYF, QYF/A, QZA, QZA/A, QZA6 QZA6/A, QZB, QZB/A, QZB2, QZB2/A, QZE, QZE/A, QZE3, QZE3/A QZE4, QZE4/A, QZE6, QZE6/A, QZF, QZF/A, QZF1, QZF1/A, QZF8 QZF8/A, QZK, QZX5, QZX5/A, TXF2, TXF2/A, VD, VD/A, VDF2 VDF2/A, VEP4, VEP4/A, VXD, VXD/A, VXE, VXE/A, VXE1, VXE1/A VXE3, VXE3/A, VXE4, VXE4/A, VZA, VZA/A, VZA1, VZA1/A, VZA2 VZA2/A, VZE1, VZE1/A
					-	-	1	-	-----	2073018 QKF

NOTE A:PART NO. CHANGE D:NEWLY PROVIDED E:PART NO. DELETION K:REQUIRED NO. CORRECTION L:APPLICATION SERIAL NO. CORRECTION  
T:APPLICATION CORRECTION Z:REMARKS CHANGE



# PARTS CATALOGUE NEWS

Honda Motor Co., Ltd. Service Division

## PARTS CATALOGUE - CORRECTED

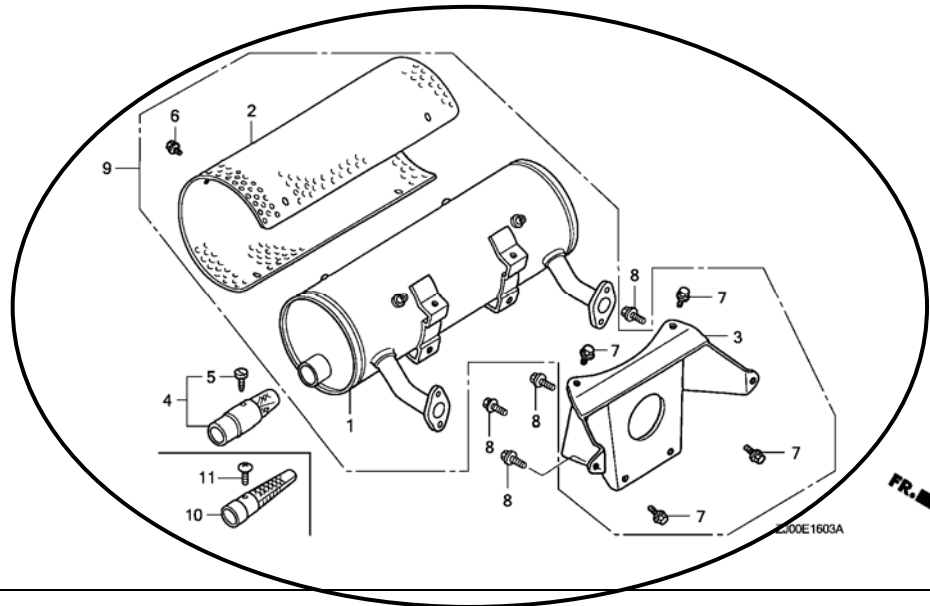
Printed in Japan

CODE NO.	BOOKLET TYPE	13ZJ00E2
	MICRO-FICHE	13ZJ00EB/FB
PARTS CATALOGUE NEWS	GX610 GX610K1 GX610[PROPANE ENGINE]	
NEWS NO.	032	

Block No.	Ref. No.	Note	Part No.	Description	Reqd. QTY					Serial No.	Parts catalogue code
					GX 610 (1)	GX 610 (2)	GX 610 K1	GX 610 (3)	GX 610 (3)		

### E-16-3 MUFFLER (4)

Ref. No.	LON	(Relative ref. Number) Description	FRT
4		(10)	
	3131A1	ARRESTER, SPARK .....	0.1
	9 3131C3	MUFFLER ASSEMBLY, EXHAUST ....	0.4



NOTE A:PART NO. CHANGE D:NEWLY PROVIDED E:PART NO.DELETION K:REQUIRED NO. CORRECTION L:APPLICATION SERIAL NO. CORRECTION  
T:APPLICATION CORRECTION Z:REMARKS CHANGE

PARTS CATALOGUE NEWS

BOOKNo. : 13ZJ00E2

Block No.	Ref. No.	Note	Part No.	Description	Reqd. QTY				Serial No.	Parts catalogue code
					GX 610 (1)	GX 610 (2)	GX 610 K1	GX 610 (3)		
E-16-3	1	D	18310-ZJ1-004	MUFFLER COMP. (HIGH-R) (FUTABA) (SILVER MUFFLER) (FOR SILVER MUFFLER)	-	-	1	-	-----	QDX2, QDX2/A
			18310-ZN1-003	MUFFLER COMP. (HIGH-R) (NELSON) (BLACK MUFFLER) (SHIFT18300-ZJ1-880)	-	-	1	-	-----	QDX2, QDX2/A
	2	D	18321-ZJ1-000	PROTECTOR, MUFFLER (HIGH) (FUTABA) (FOR SILVER MUFFLER)	-	-	1	-	-----	QDX2, QDX2/A
			18321-ZN1-003	PROTECTOR, MUFFLER (HIGH) (NELSON) (FOR BLACK MUFFLER)	-	-	1	-	-----	QDX2, QDX2/A
	3	D	18333-ZJ1-000	GASKET, EX. PIPE (FOR SILVER MUFFLER)	-	-	1	-	-----	QDX2, QDX2/A
			18338-ZJ1-841	STAY, MUFFLER (HIGH) (FOR BLACK MUFFLER)	-	-	1	-	-----	QDX2, QDX2/A
	4	Z	18355-ZN1-003	ARRESTER, SPARK (FOR BLACK MUFFLER)	-	-	(1)	-	-----	QDX2, QDX2/A
	5	Z	90009-ZJ1-801	SCREW (NELSON) (FOR BLACK MUFFLER)	-	-	(1)	-	-----	QDX2, QDX2/A
	9	D	18300-ZJ1-880	MUFFLER ASSY. (HIGH-R) (FUTABA) (SILVER MUFFLER)	-	-	1	-	-----	QDX2, QDX2/A
	10	D	18355-ZJ1-000	ARRESTER, SPARK (FOR SILVER MUFFLER)	-	-	(1)	-	-----	QDX2, QDX2/A
	11	D	93901-250J0	SCREW, TAPPING, 5X8 (FOR SILVER MUFFLER)	-	-	(1)	-	-----	QDX2, QDX2/A
E-20	18	T	91403-ZJ1-851	CLIP, HARNESS .....	-	-	1	-	-----	SWD, SWD/A
					-	-	1	-	2073019	-----

NOTE A:PART NO. CHANGE D:NEWLY PROVIDED E:PART NO.DELETION K:REQUIRED NO. CORRECTION L:APPLICATION SERIAL NO. CORRECTION  
T:APPLICATION CORRECTION Z:REMARKS CHANGE



# PARTS CATALOGUE NEWS

Honda Motor Co., Ltd. Service Division

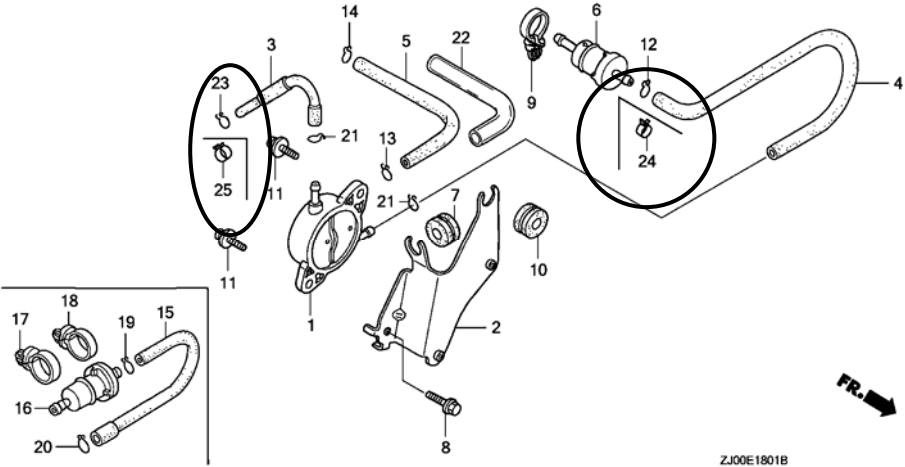
## PARTS CATALOGUE - CORRECTED

Printed in Japan

CODE NO.	BOOKLET TYPE	13ZJ00E2
	MICRO-FICHE	13ZJ00EB/FB
PARTS CATALOGUE NEWS	GX610 GX610K1 GX610[PROPANE ENGINE]	
NEWS NO.	033	

Block No.	Ref. No.	Note	Part No.	Description	Reqd. QTY				Serial No.	Parts catalogue code
					GX 610 (1)	GX 610 (2)	GX 610 K1	GX 610 (3)		

E-18-1 FUEL PUMP (2)



ZJ00E1801B

E-18-1 12 E 95002-40800-08 \*PARTS NO. DELETION

NOTE A:PART NO. CHANGE D:NEWLY PROVIDED E:PART NO.DELETION K:REQUIRED NO. CORRECTION L:APPLICATION SERIAL NO. CORRECTION  
T:APPLICATION CORRECTION Z:REMARKS CHANGE

PARTS CATALOGUE NEWS

BOOKNo. : 13ZJ00E2

Block No.	Ref. No.	Note	Part No.	Description	Reqd. QTY				Serial No.	Parts catalogue code
					GX 610 (1)	GX 610 (2)	GX 610 K1	GX 610 (3)		
		K	95002-02080	CLIP, TUBE (B8) .....	-	-	1	-	-----	PZE, PZE/A, QAD2, QAD2/A, QAF, QAF/A, QAF2/A, QDE, QDE/A, QDF, QDF/A, QDF2, QDF2/A, QDF6, QDF6/A, QDW, QDW/A, QDX2/A, QKF, QWF, QWF/A, QYF, QYF/A, QZA, QZA/A, QZA6, QZA6/A, QZB, QZB/A, QZB2, QZB2/A, QZE, QZE/A, QZE3, QZE3/A, QZE4, QZE4/A, QZE6, QZE6/A, QZF, QZF/A, QZF1, QZF1/A, QZF8, QZF8/A, QZX5, QZX5/A, SWD/A, TXF2/A, VD, VD/A, VDF2, VDF2/A, VEP4, VEP4/A, VXD, VXD/A, VXE, VXE/A, VXE1, VXE1/A, VXE3, VXE3/A, VXE4, VXE4/A, VZA, VZA/A, VZA1, VZA1/A, VZA2, VZA2/A, VZE1, VZE1/A
	23	D	95002-02080	CLIP, TUBE (B8) .....	-	-	1	-	-----	PZE, PZE/A, QAD2, QAD2/A, QAF, QAF/A, QAF2/A, QDE, QDE/A, QDF, QDF/A, QDF2, QDF2/A, QDF6, QDF6/A, QDW, QDW/A, QDX2/A, QKF, QWF, QWF/A, QYF, QYF/A, QZA, QZA/A, QZA6, QZA6/A, QZB, QZB/A, QZB2, QZB2/A, QZE, QZE/A, QZE3, QZE3/A, QZE4, QZE4/A, QZE6, QZE6/A, QZF, QZF/A, QZF1, QZF1/A, QZF8, QZF8/A, QZX5, QZX5/A, SWD/A, TXF2/A, VD, VD/A, VDF2, VDF2/A, VEP4, VEP4/A, VXD, VXD/A, VXE, VXE/A, VXE1, VXE1/A, VXE3, VXE3/A, VXE4, VXE4/A, VZA, VZA/A, VZA1, VZA1/A, VZA2, VZA2/A, VZE1, VZE1/A
	24	D	95002-40800-08	CLAMP, TUBE (D8) .....	-	-	1	-	-----	QZK
	25	D	95002-40800-08	CLAMP, TUBE (D8) .....	-	-	1	-	-----	QZK

NOTE A:PART NO. CHANGE D:NEWLY PROVIDED E:PART NO.DELETION K:REQUIRED NO. CORRECTION L:APPLICATION SERIAL NO. CORRECTION  
T:APPLICATION CORRECTION Z:REMARKS CHANGE