

357XP, 359 357XP EPA, 359 EPA

Spare parts

Ersatzteile

Pièces détachées

Reserve onderdelen

Repuestos

Reservdelar

Replaces

Ersetzt

Remplace

Vervangt

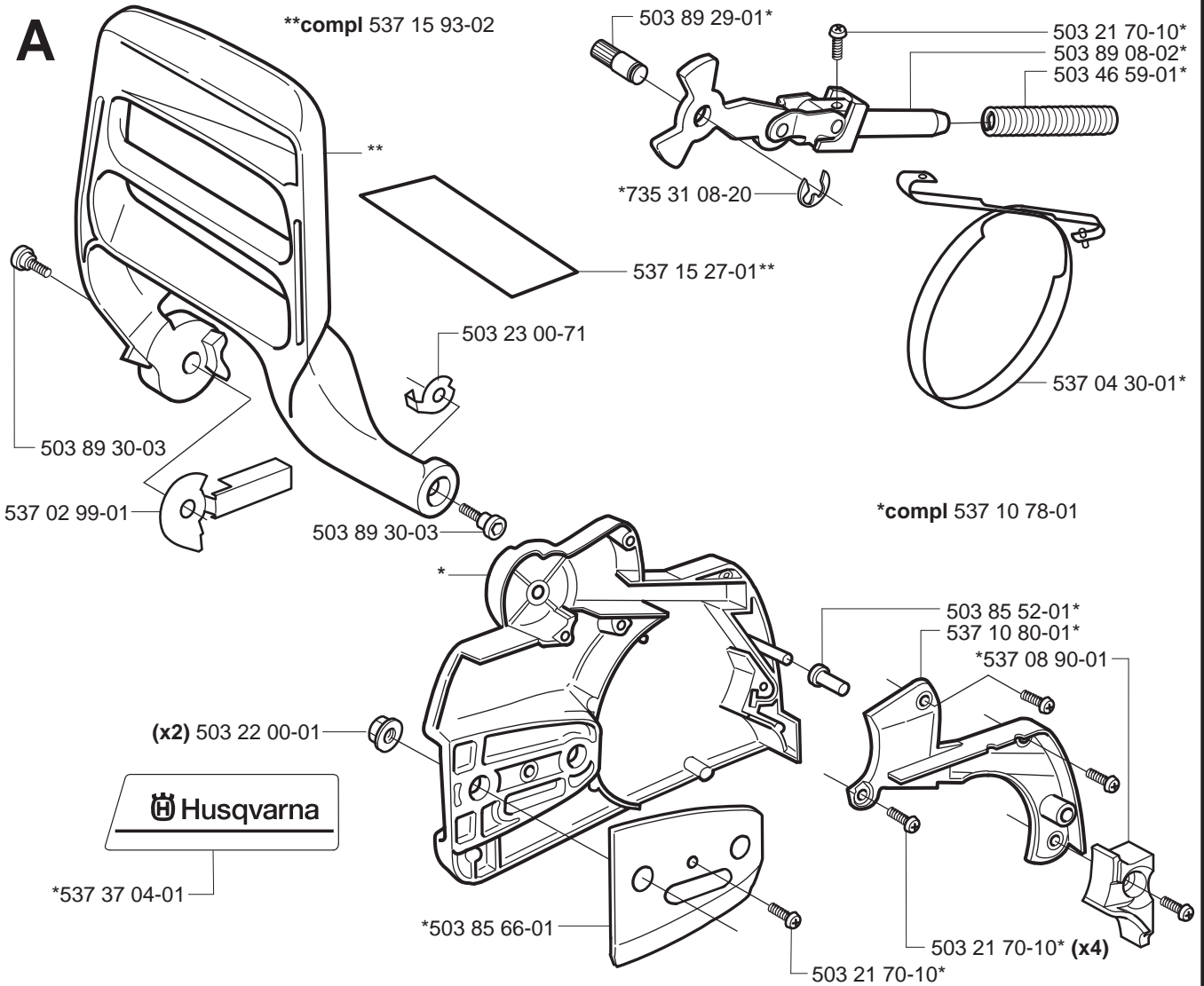
Reemplaza

Ersätter

544 04 53-01

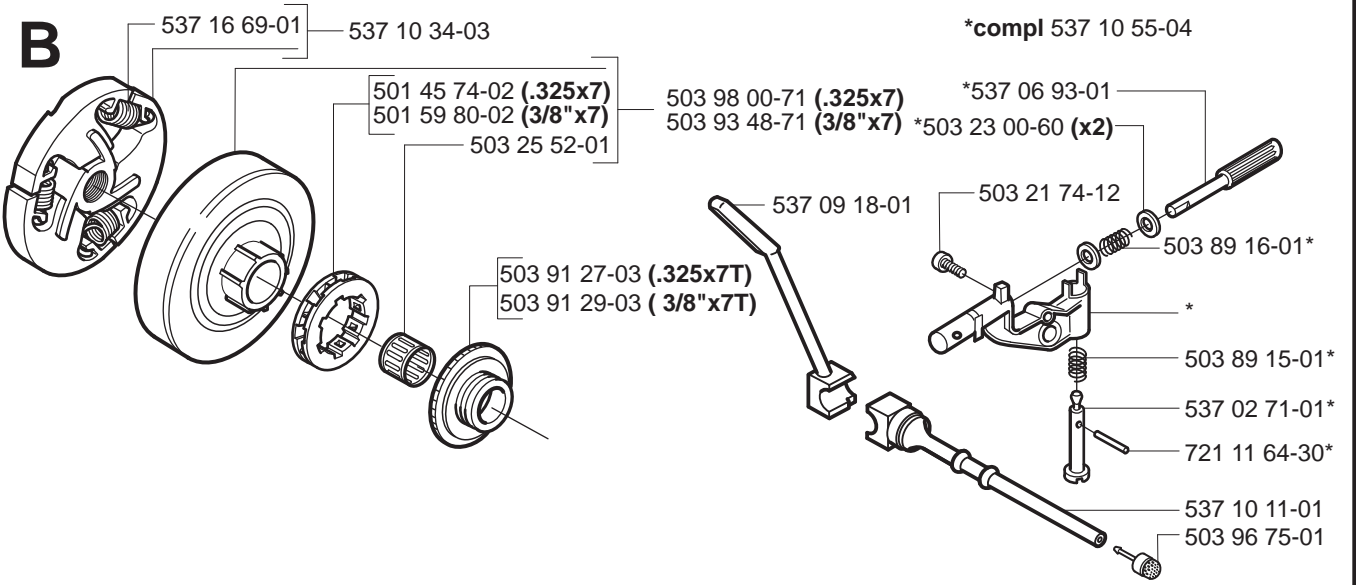
A

****compl 537 15 93-02**



B

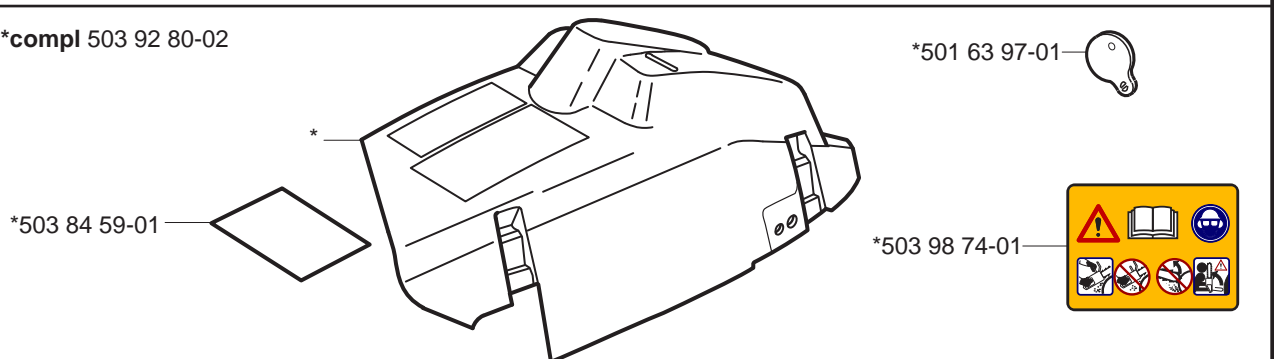
***compl 537 10 55-04**



C

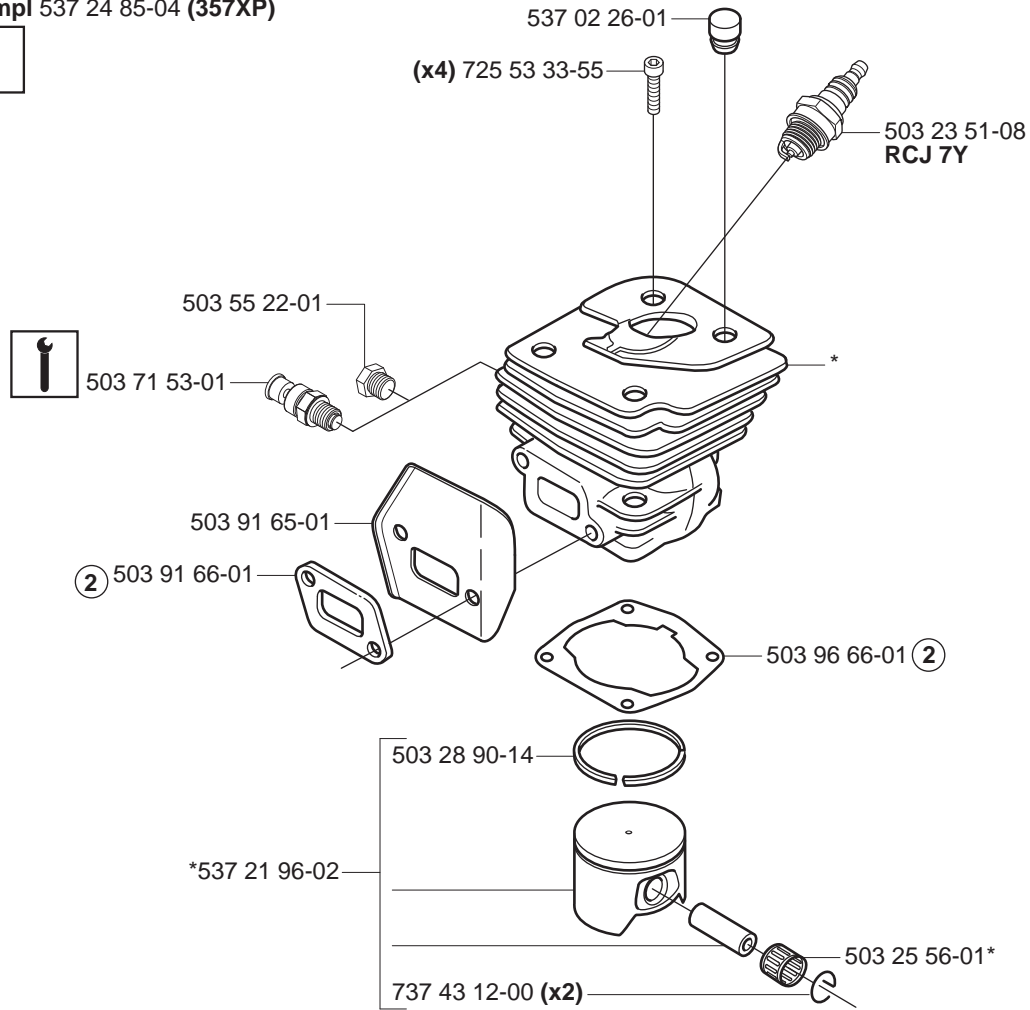
***compl 503 92 80-02**

***501 63 97-01**



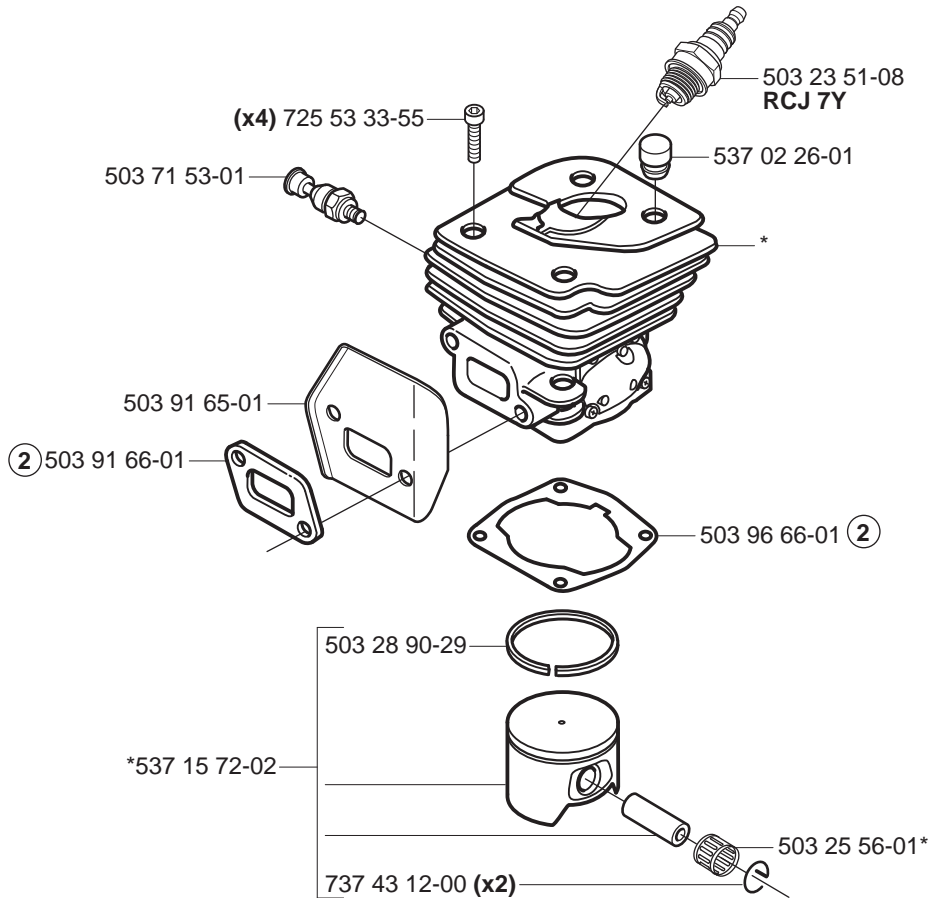
D

*compl 537 24 85-04 (357XP)



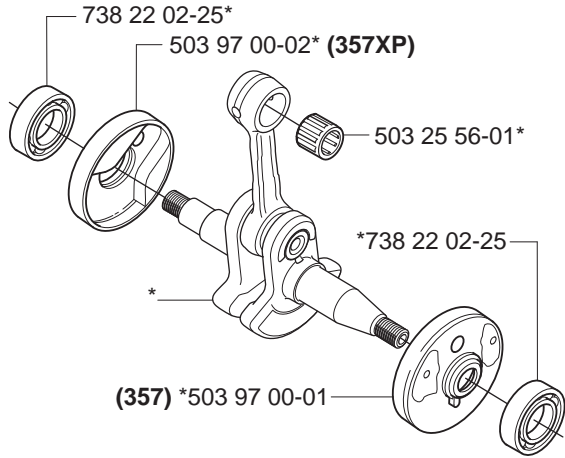
D

*compl 537 15 73-02 (359)

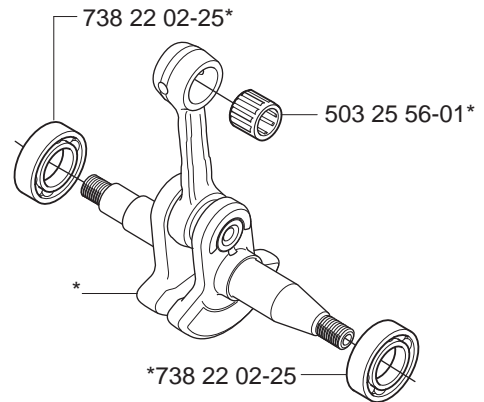


E

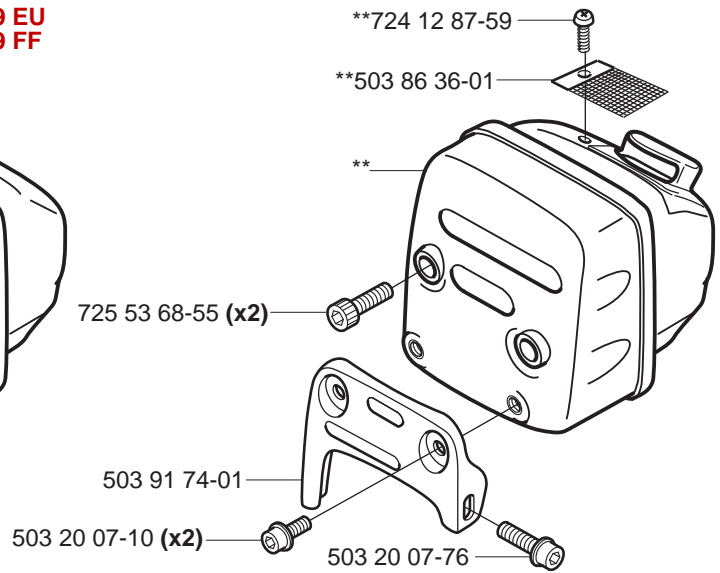
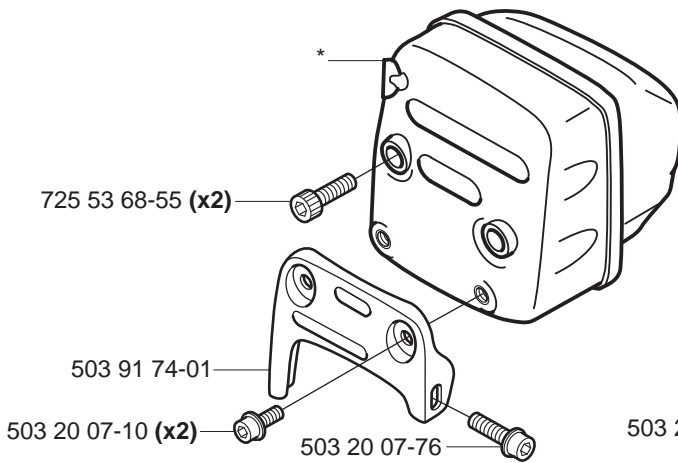
*compl 537 21 92-01 (357XP)

**E**

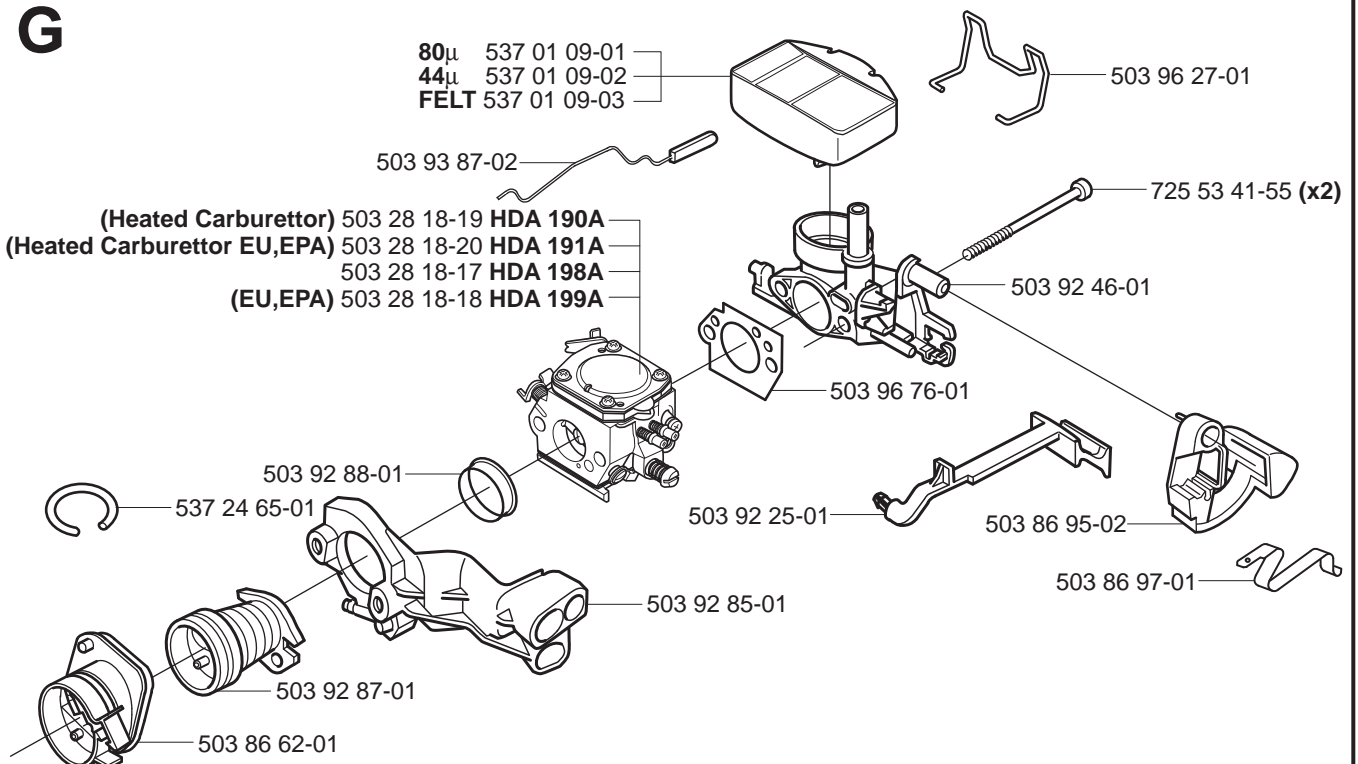
*compl 537 15 68-01 (359)

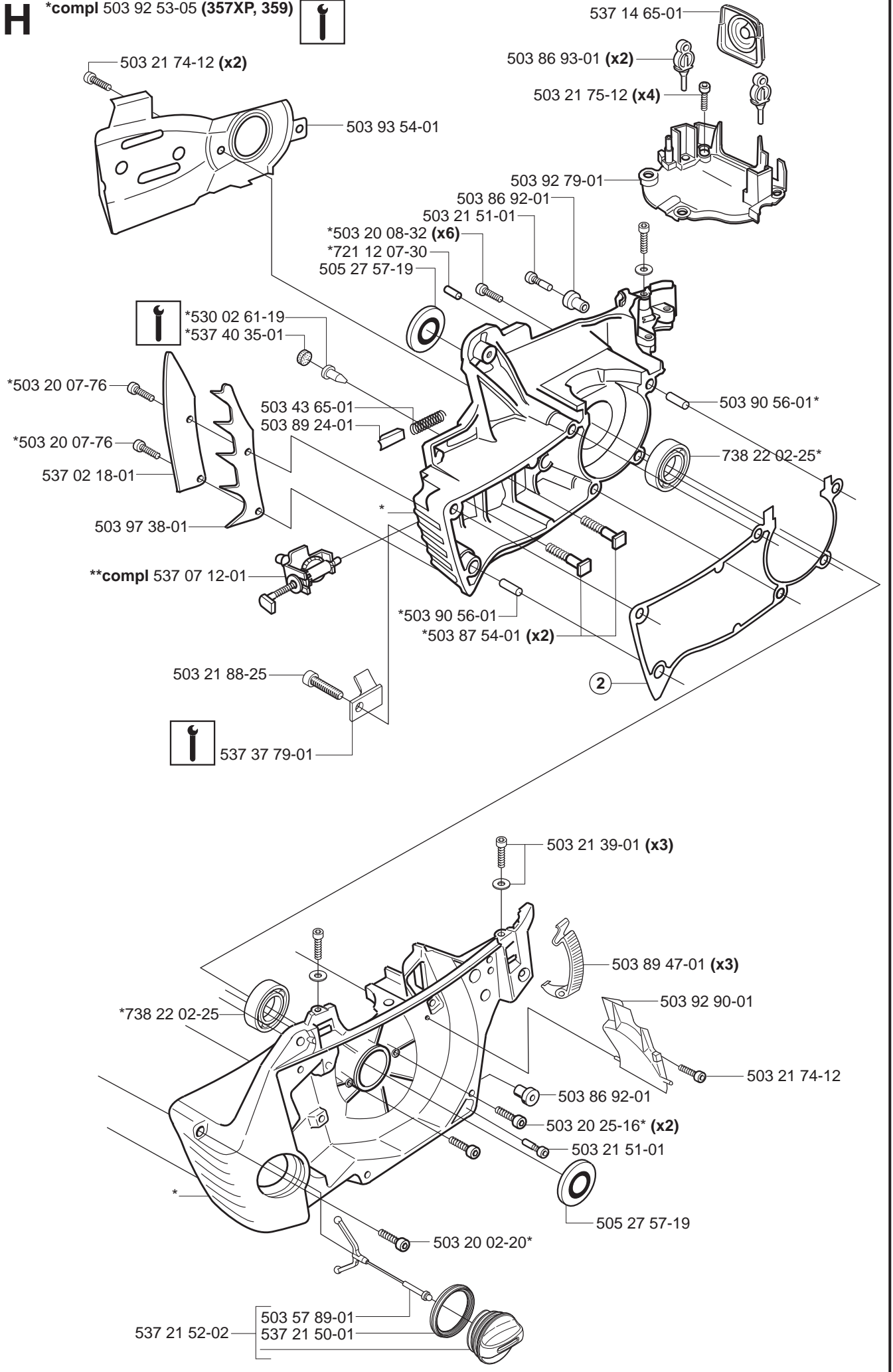
**F**

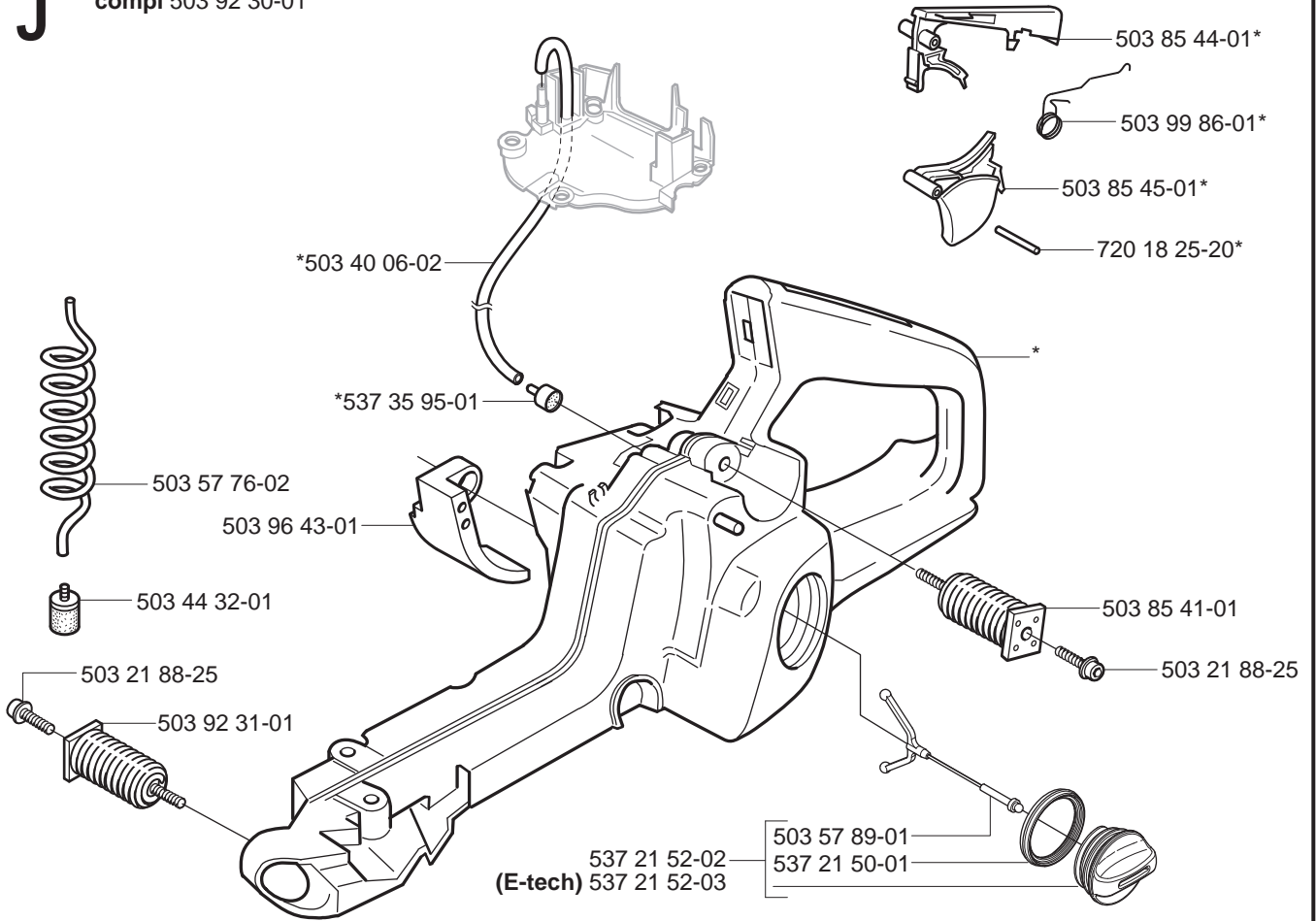
*compl 503 91 76-03 (357XP) 503 91 76-01 359 EU
 **compl 503 91 75-04 (357XP) 503 91 75-01 359 FF
 **compl 537 10 22-01 (E-tech)

**G**

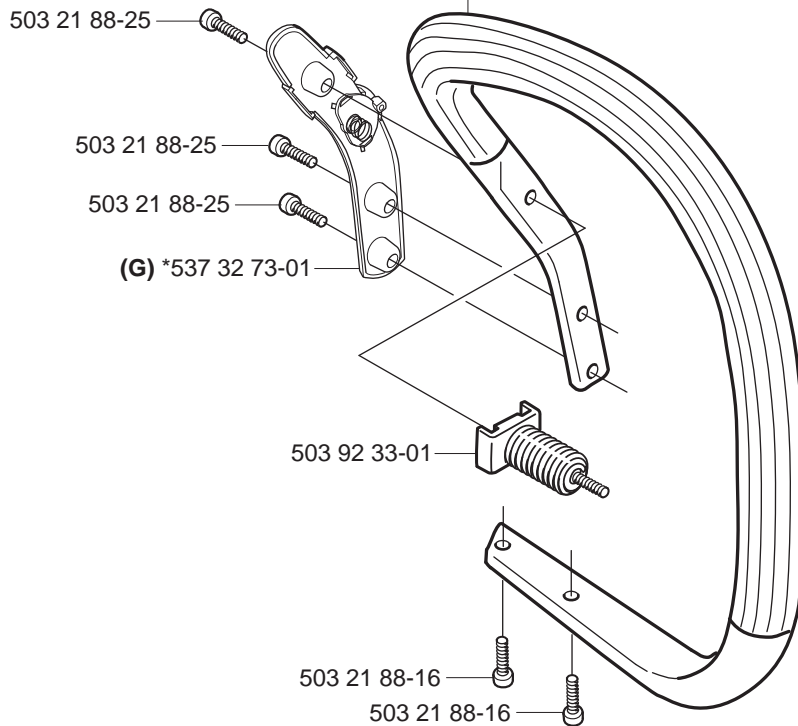
80 μ 537 01 09-01
 44 μ 537 01 09-02
 FELT 537 01 09-03



H***compl 503 92 53-05 (357XP, 359)**

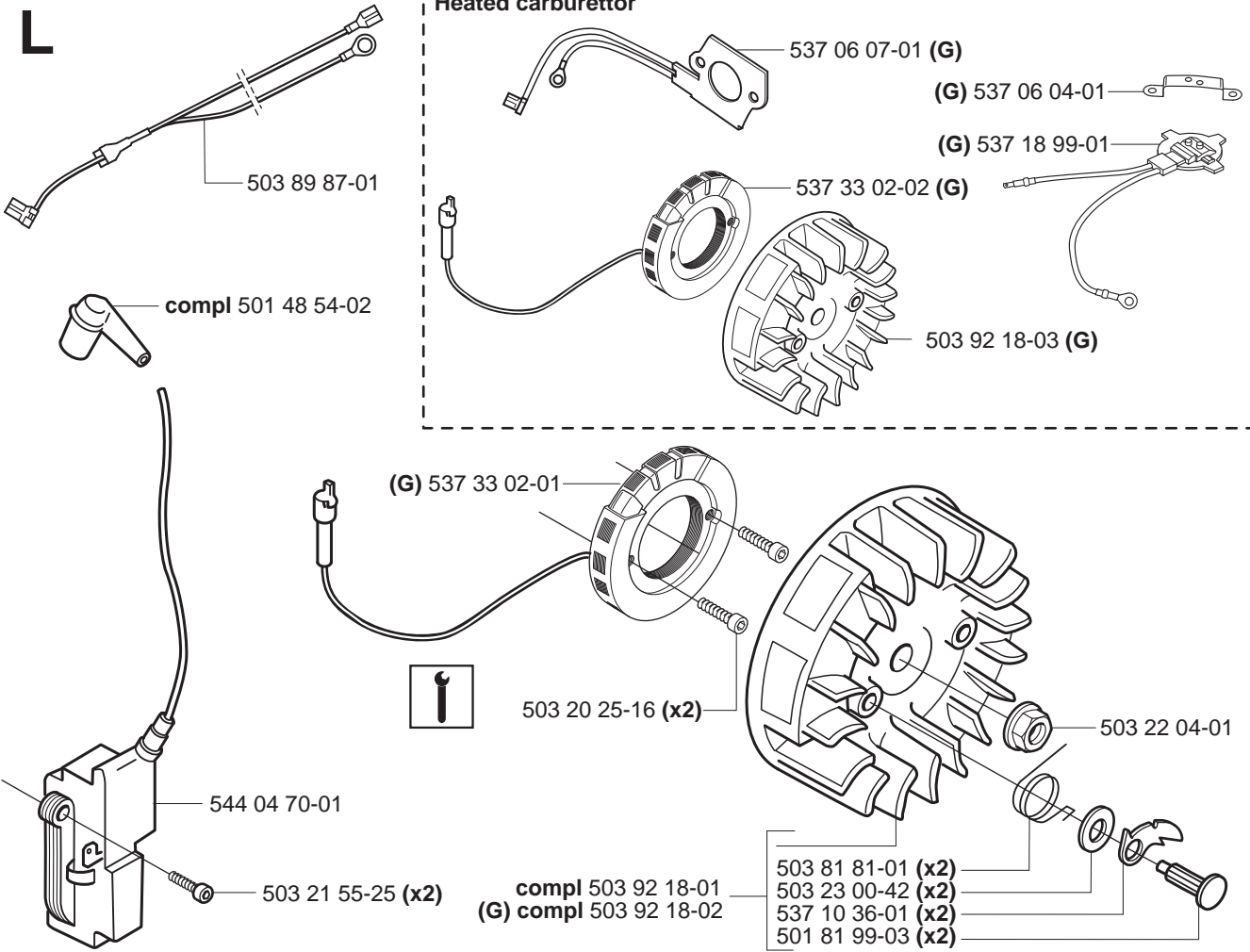
J***compl 503 92 30-01****K****(G) *503 21 38-01 (x2)****(G) *503 92 61-02**

compl 537 25 65-01
compl 537 25 65-02 (G)
***compl 537 32 74-01 (G)**



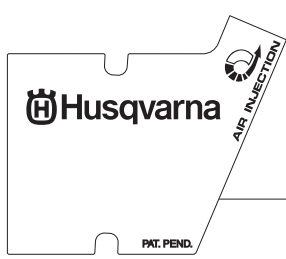
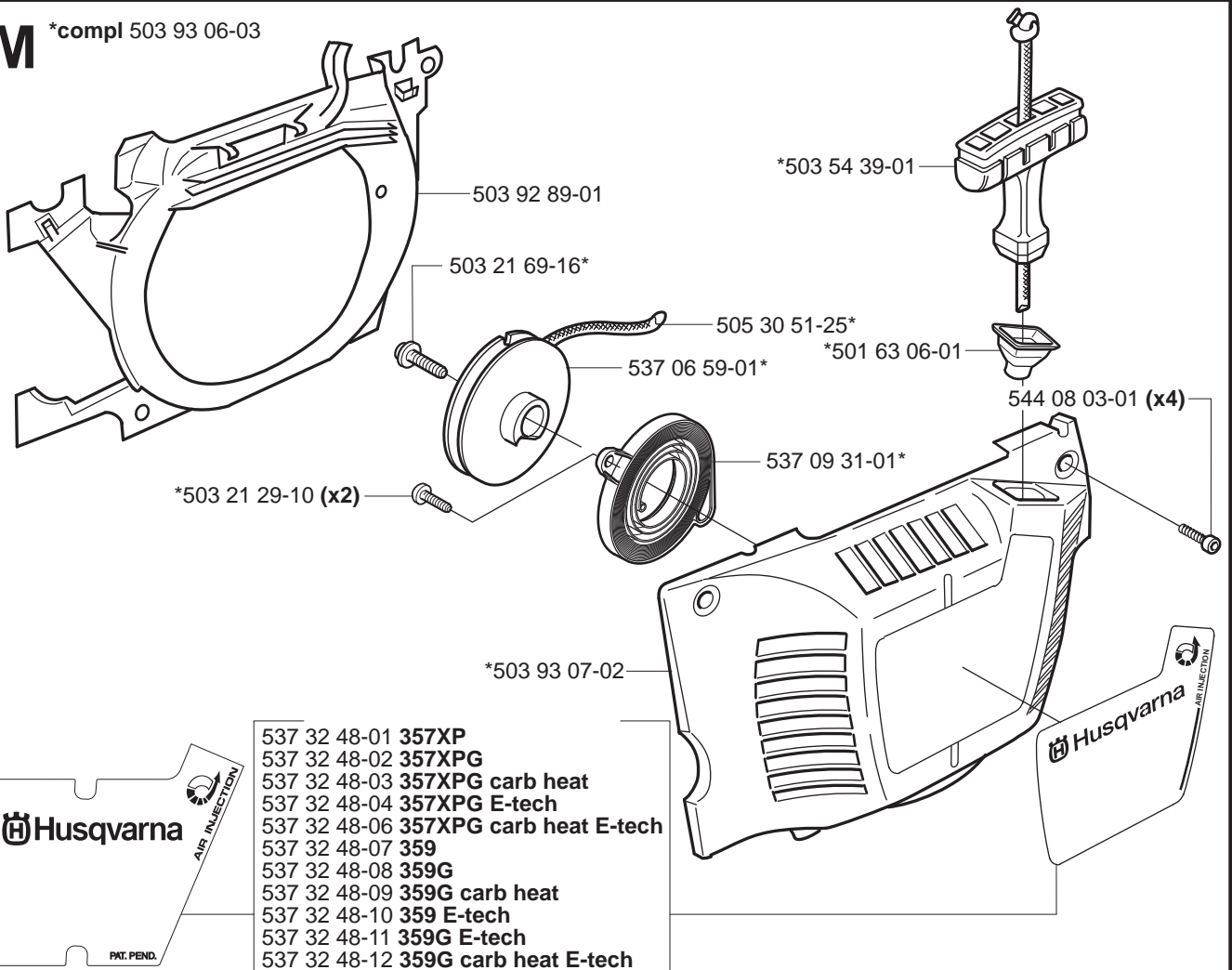
L

Heated carburettor



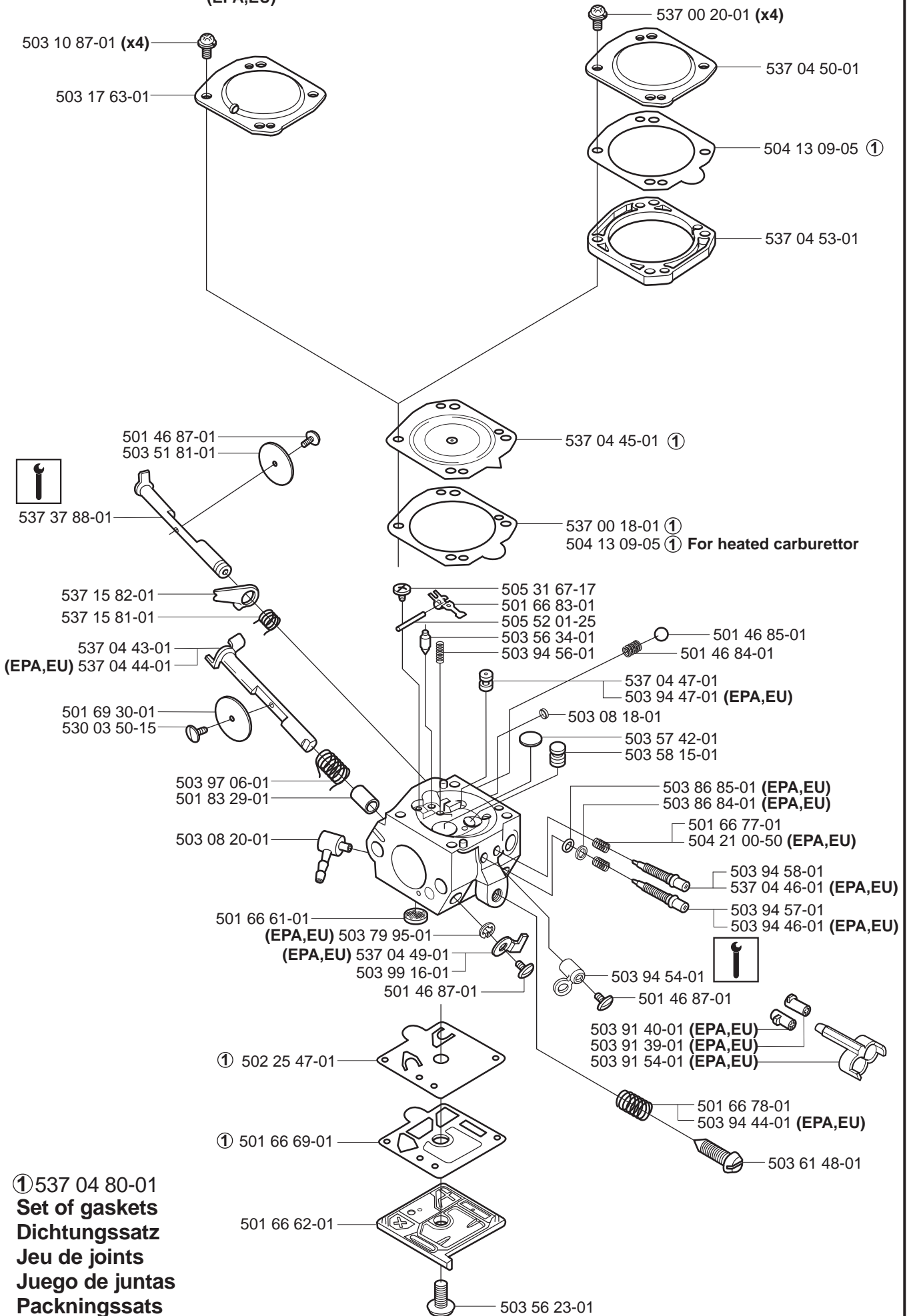
M

*compl 503 93 06-03



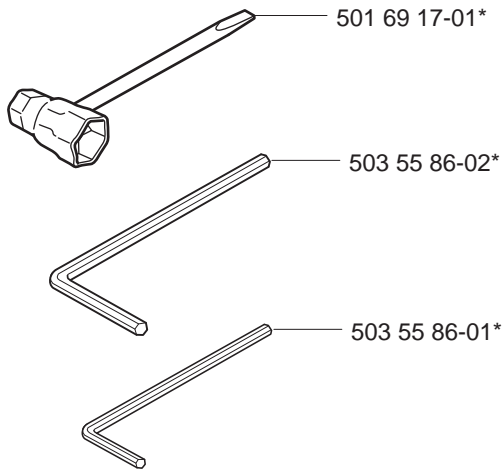
N compl 503 28 18-19 Walbro HDA 190A Heated Carburettor
 compl 503 28 18-20 Walbro HDA 191A Heated Carburettor
 (EPA,EU)

compl 503 28 18-17 Walbro HDA 198A
 compl 503 28 18-18 Walbro HDA 199A (EPA,EU)

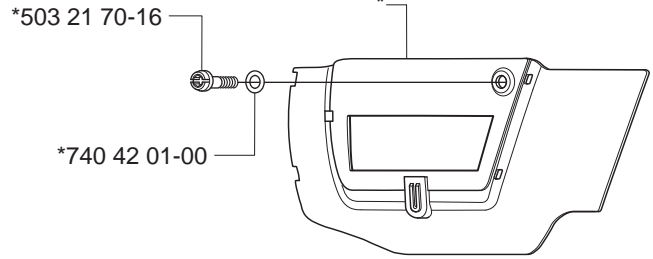


① 537 04 80-01
Set of gaskets
Dichtungssatz
Jeu de joints
Juego de juntas
Packningssats

P Accessories
 Zubehöre
 Accessories
 Accesorios
 Tillbehör
 *compl 503 55 85-01

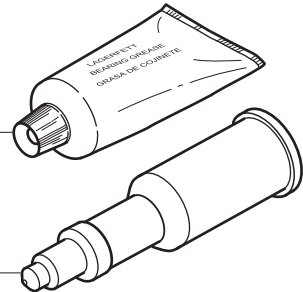


***compl 503 97 88-01 WINTER KIT**



*503 62 12-01

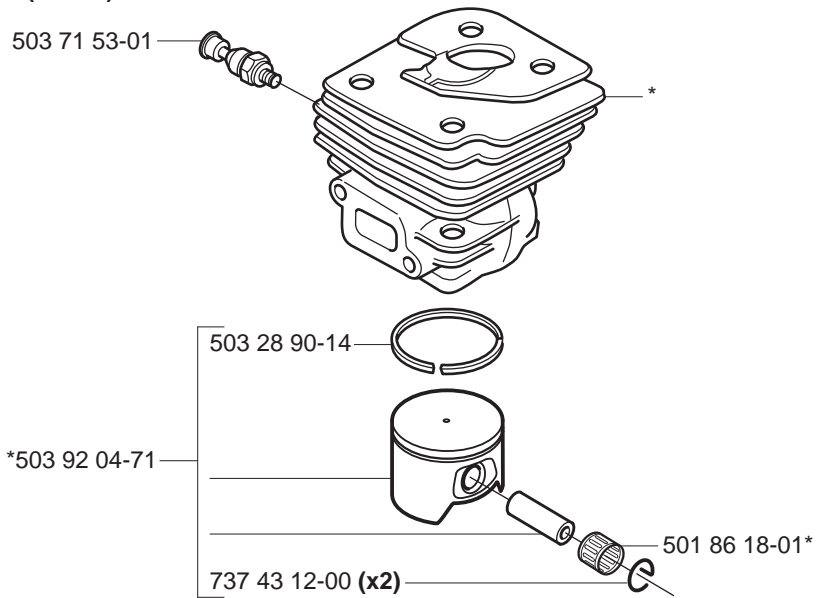
*501 91 14-01



Q 

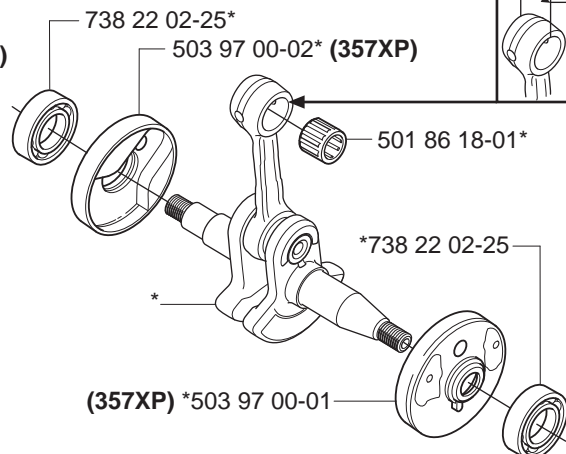
Up to 020700001 (357XP)

***compl 503 91 98-71 (357XP)**





***compl 503 93 31-71 (357XP)**

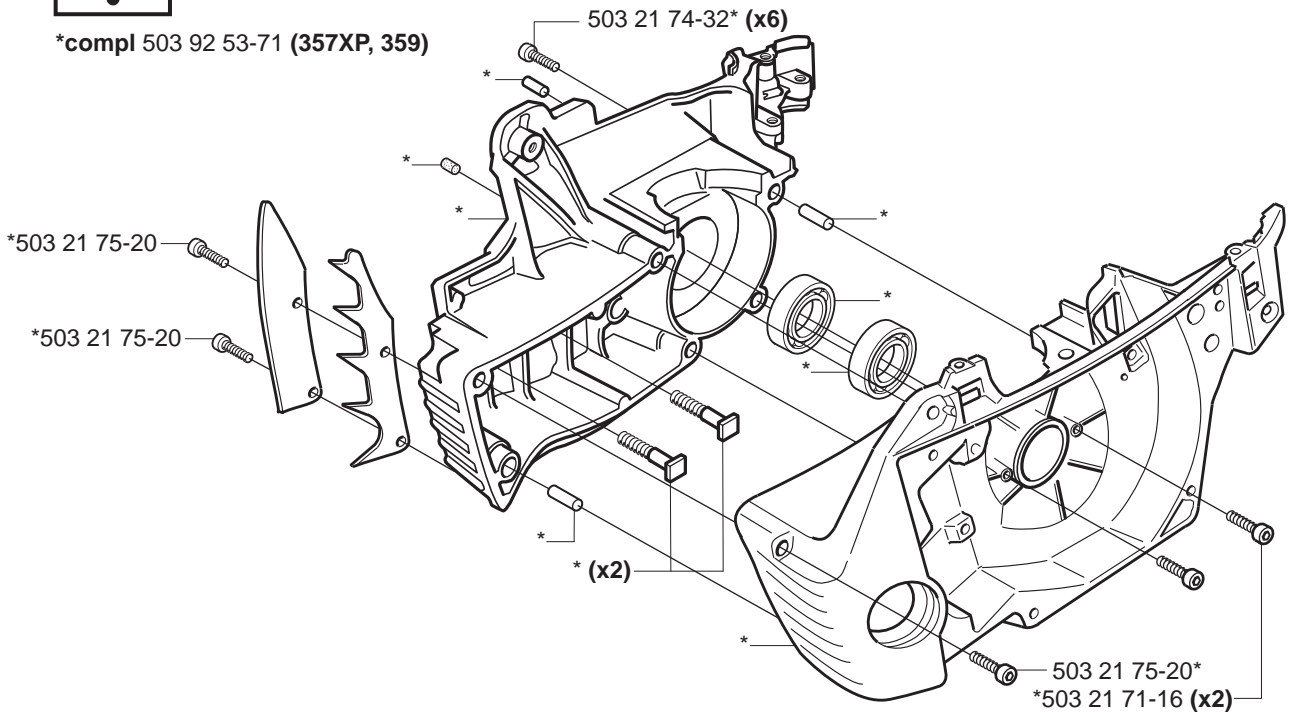


Q



Up to 030500001 (357XP)
Up to 030500048 (359)

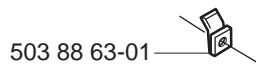
*compl 503 92 53-71 (357XP, 359)



Q



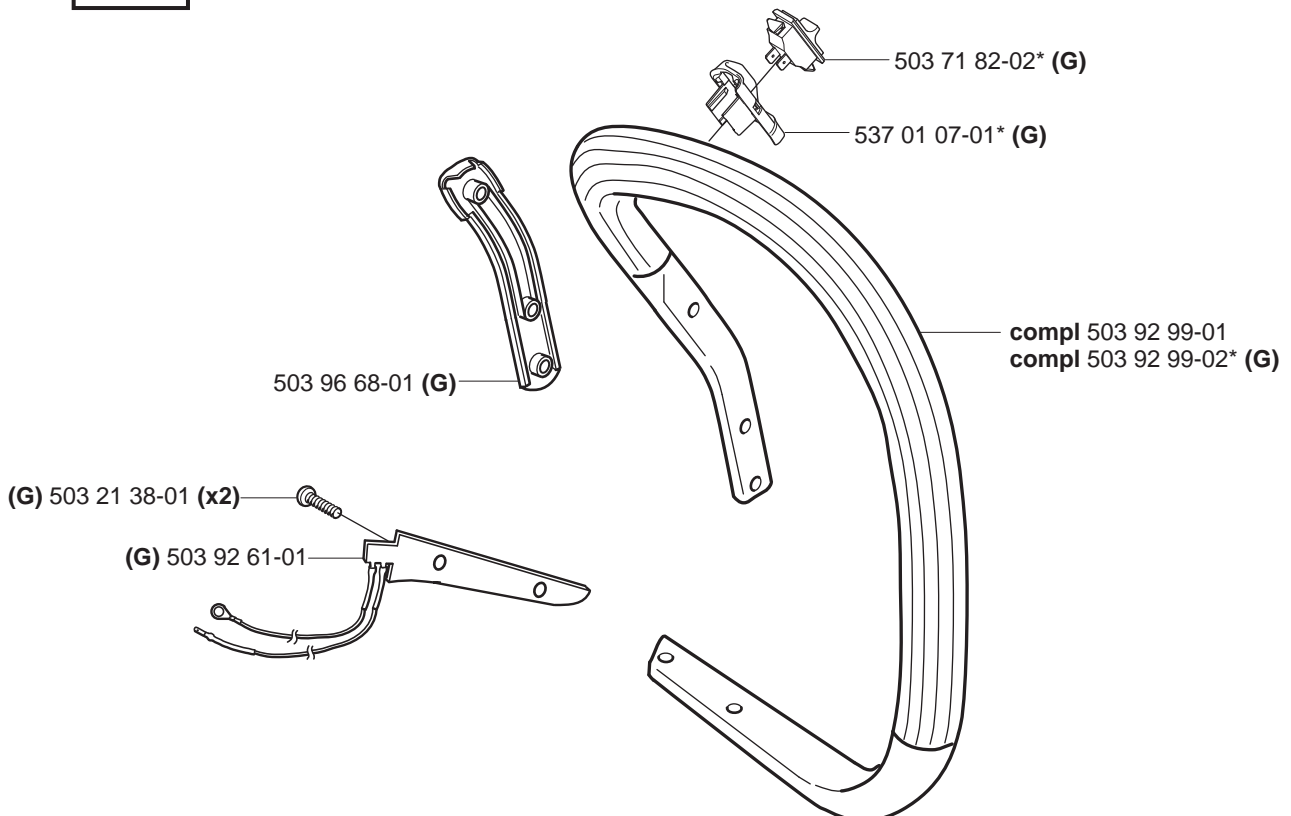
Up to 043900001 (357XP)
Up to 043900001 (359)



Q



Up to 043800001 (357XP,359)
Up to 044800001 (357XPG,359G)



Q



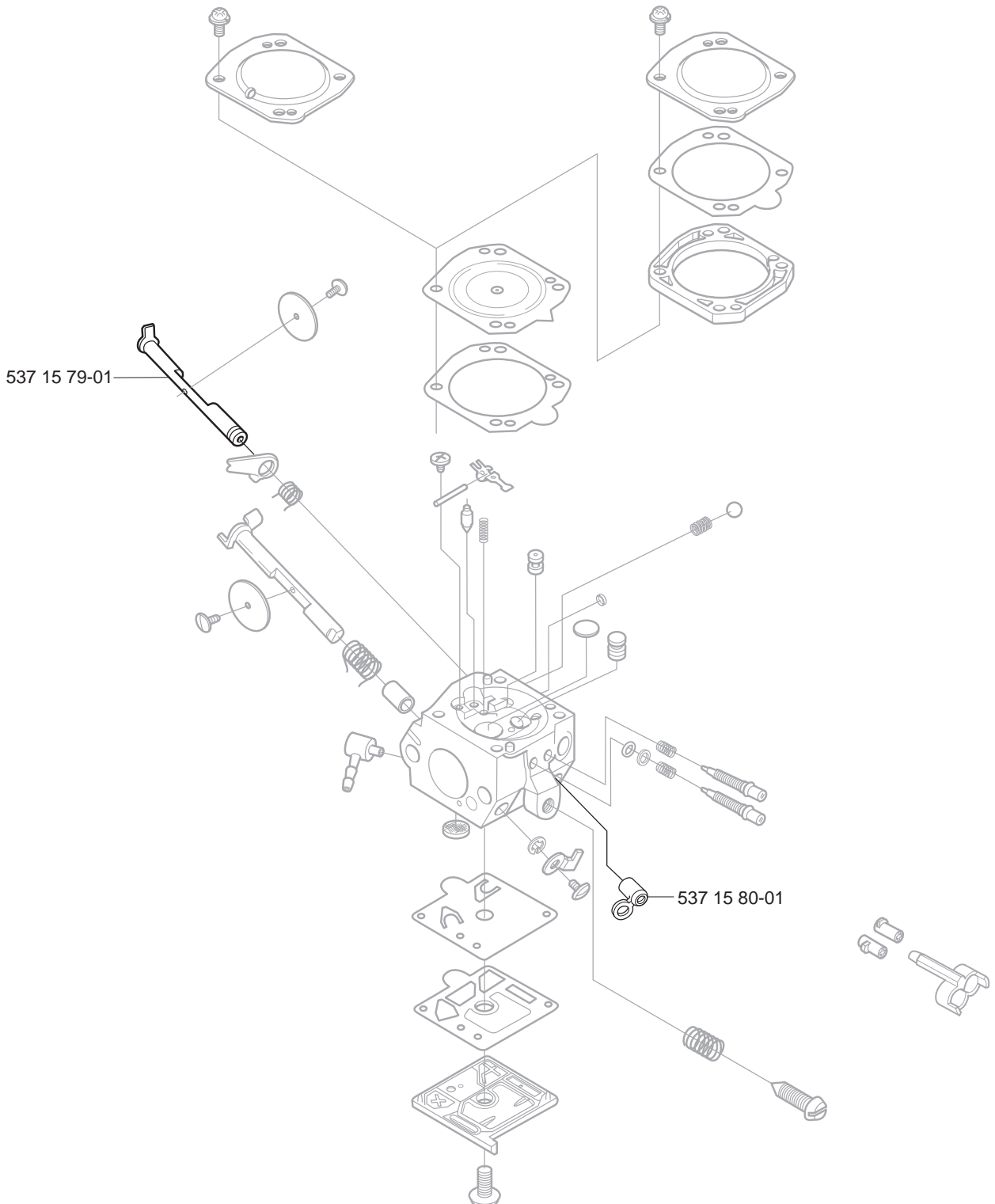
HDA 191 EPA, HDA 199 EPA:
Up to 041000001 (357XP)
Up to 041000001 (359)

HDA 198:
Up to 041800001 (357XP)
Up to 041800001 (359)

HDA 190:
Up to 043500001 (357XP)
Up to 043500001 (359)

compl 503 28 18-09 Walbro HDA 190 Heated
compl 503 28 18-10 Walbro HDA 191 Heated Carburettor
(EPA,EU)

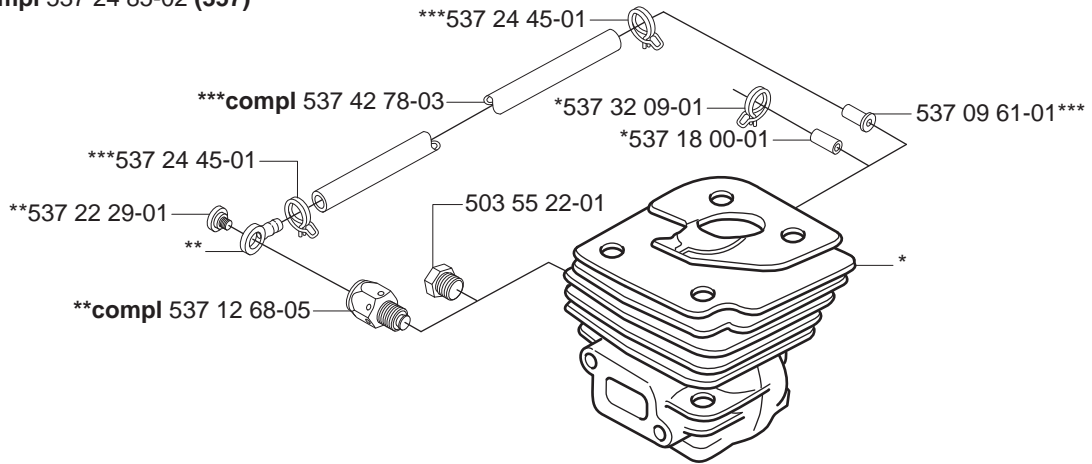
compl 503 28 18-15 Walbro HDA 198
compl 503 28 18-16 Walbro HDA 199 (EPA)



Q

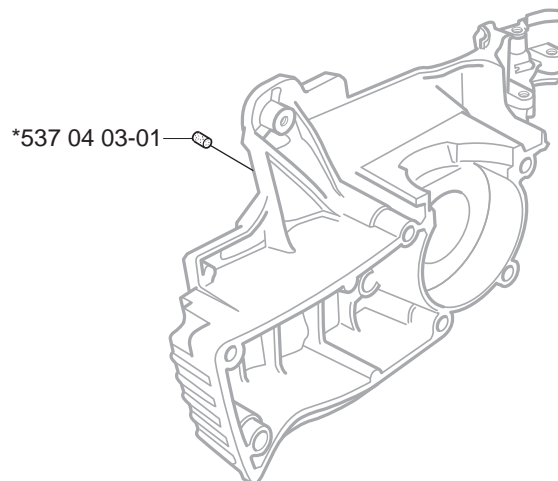
Up to 060600901 (357XP)

*compl 537 24 85-02 (357)

**Q**

Up to 052100001 (357XP) Up to 052100501 (359)

*compl 503 92 53-71 (357XP, 359)



PART NUMBER	SQUARE	NOTE	PART NUMBER	SQUARE	NOTE	PART NUMBER	SQUARE	NOTE	PART NUMBER	SQUARE	NOTE
501 45 74-02	B		503 56 23-01	N		503 92 99-01	Q		537 10 34-03	B	N
501 46 84-01	N		503 56 34-01	N		503 92 99-02	Q		537 10 36-01	L	
501 46 85-01	N		503 57 42-01	N		503 93 06-03	M		537 10 55-04	B	N
501 48 54-02	L		503 57 76-02	J		503 93 07-02	M		537 10 78-01	A	
501 59 80-02	B		503 57 89-01	H, J		503 93 31-71	Q		537 10 80-01	A	
501 63 06-01	M		503 58 15-01	N		503 93 48-71	B		537 12 68-05	Q	
501 63 97-01	C		503 61 48-01	N		503 93 54-01	H		537 14 65-01	H	
501 66 61-01	N		503 62 12-01	P		503 93 87-02	G		537 15 27-01	A	
501 66 62-01	N		503 71 53-01	D, Q		503 94 44-01	N		537 15 68-01	E	
501 66 69-01	N	1	503 71 82-02	Q		503 94 46-01	N		537 15 72-02	D	
501 66 77-01	N		503 79 95-01	N		503 94 47-01	N		537 15 73-02	D	N
501 66 78-01	N		503 81 81-01	L		503 94 54-01	N		537 15 79-01	Q	
501 66 83-01	N		503 84 59-01	C		503 94 56-01	N		537 15 80-01	Q	
501 69 17-01	P		503 85 41-01	J		503 94 57-01	N		537 15 81-01	N	
501 69 30-01	N		503 85 44-01	J		503 94 58-01	N		537 15 82-01	N	
501 81 99-03	L		503 85 45-01	J		503 96 27-01	G		537 15 93-02	A	
501 83 29-01	N		503 85 52-01	A		503 96 43-01	J		537 16 21-01	L	
501 91 14-01	P		503 85 66-01	A		503 96 66-01	D		537 16 69-01	B	
502 25 47-01	N	1	503 86 36-01	F		503 96 68-01	Q		537 18 00-01	Q	
503 08 18-01	N		503 86 62-01	G		503 96 75-01	B		537 18 99-01	L	
503 08 20-01	N		503 86 84-01	N		503 96 76-01	G		537 21 50-01	H, J	
503 10 87-01	N		503 86 85-01	N		503 97 00-01	E, Q		537 21 52-02	H, J	
503 17 63-01	N		503 86 92-01	H		503 97 00-02	E, Q		537 21 52-03	J	
503 20 02-20	H		503 86 93-01	H		503 97 06-01	N		537 21 92-01	E	
503 20 07-10	F		503 86 95-02	G		503 97 38-01	H		537 21 96-02	D	
503 20 07-76	F, H		503 86 97-01	G		503 97 88-01	P		537 22 29-01	Q	
503 20 08-32	H		503 87 54-01	H		503 98 00-71	B		537 24 45-01	Q	
503 20 25-16	H, L		503 88 63-01	Q		503 98 74-01	C		537 24 65-01	G	
503 21 29-10	M		503 89 08-02	A		503 99 16-01	N		537 24 85-02	Q	
503 21 38-01	K, Q		503 89 15-01	B		503 99 86-01	J		537 24 85-04	D	N
503 21 39-01	H		503 89 16-01	B		504 13 09-05	N	1	537 25 65-01	K	
503 21 51-01	H		503 89 24-01	H		504 21 00-50	N		537 25 65-02	K	
503 21 69-16	M		503 89 29-01	A		505 27 57-19	H		537 32 09-01	Q	
503 21 70-10	A		503 89 30-03	A		505 30 51-25	M		537 32 48-01	M	
503 21 70-16	P		503 89 47-01	H		505 31 67-17	N		537 32 48-02	M	
503 21 71-16	Q		503 89 87-01	L		505 52 01-25	N		537 32 48-03	M	
503 21 74-12	B, H		503 90 56-01	H		530 02 61-19	H	N	537 32 48-04	M	
503 21 74-32	Q		503 91 27-03	B	N	530 03 50-15	N		537 32 48-06	M	
503 21 75-12	H		503 91 29-03	B	N	537 00 18-01	N	1	537 32 48-07	M	
503 21 75-20	Q		503 91 39-01	N		537 00 20-01	N		537 32 48-08	M	
503 21 88-16	K		503 91 40-01	N		537 01 07-01	Q		537 32 48-09	M	
503 21 88-25	H, J, K		503 91 54-01	N		537 01 09-01	G		537 32 48-10	M	
503 22 00-01	A		503 91 65-01	D		537 01 09-02	G		537 32 48-11	M	
503 22 04-01	L		503 91 66-01	D		537 01 09-03	G		537 32 48-12	M	
503 23 00-42	L		503 91 74-01	F		537 02 18-01	H		537 32 73-01	K	
503 23 00-60	B		503 91 75-01	F		537 02 26-01	D		537 32 74-01	K	
503 23 00-71	A		503 91 75-04	F	N	537 02 71-01	B		537 33 02-01	L	
503 23 51-08	D		503 91 76-01	F		537 02 99-01	A		537 33 02-02	L	
503 25 52-01	B		503 91 76-03	F	N	537 04 03-01	Q		537 35 95-01	J	
503 25 56-01	D, E		503 91 98-71	Q		537 04 30-01	A		537 37 04-01	A	
503 28 18-09	Q		503 92 04-71	Q		537 04 43-01	N		537 37 79-01	H	
503 28 18-10	Q		503 92 18-01	L		537 04 44-01	N		537 37 88-01	N	
503 28 18-15	Q		503 92 18-02	L		537 04 45-01	N		537 40 35-01	H	N
503 28 18-16	Q		503 92 18-03	L		537 04 46-01	N		537 42 78-03	Q	
503 28 18-17	G, N		503 92 25-01	G		537 04 47-01	N		544 04 70-01	L	
503 28 18-18	G, N		503 92 30-01	J		537 04 49-01	N		544 08 03-01	M	N
503 28 18-19	G		503 92 31-01	J		537 04 50-01	N		720 18 25-20	J	
503 28 18-20	G, N		503 92 33-01	K		537 04 53-01	N		721 11 64-30	B	
503 28 90-14	D, Q		503 92 46-01	G		537 04 80-01	N		721 12 07-30	H	
503 28 90-29	D		503 92 53-05	H	N	537 06 04-01	L		724 12 87-59	F	
503 40 06-02	J		503 92 53-71	Q		537 06 07-01	L		725 53 33-55	D	
503 43 65-01	H		503 92 61-01	Q		537 06 59-01	M		725 53 41-55	G	
503 44 32-01	J		503 92 61-02	K		537 06 93-01	B		725 53 68-55	F	
503 46 59-01	A		503 92 79-01	H		537 07 12-01	H		735 31 08-20	A	
503 51 81-01	N		503 92 80-02	C		537 08 90-01	A		737 43 12-00	D, Q	
503 54 39-01	M		503 92 85-01	G		537 09 18-01	B		738 22 02-25	E, H, Q	
503 55 22-01	D, Q	N	503 92 87-01	G		537 09 31-01	M		740 42 01-00	P	
503 55 85-01	P		503 92 88-01	G		537 09 61-01	Q				
503 55 86-01	P		503 92 89-01	M		537 10 11-01	B				
503 55 86-02	P		503 92 90-01	H		537 10 22-01	F				

1 = 537 04 80-01

Set of gaskets, Dichtungssatz,
Jeu de joints, Juego de juntas,
Packningssats

N = New part, Neues teil,
Nouvelle piece, Nueva pieza
Ny detalj

EPA = Environmental Protection Agency
(for USA only)