



PARTS CATALOG

Published 2008/7 (Jul.)

0CR10-G54900

L48AE

CONTENTS

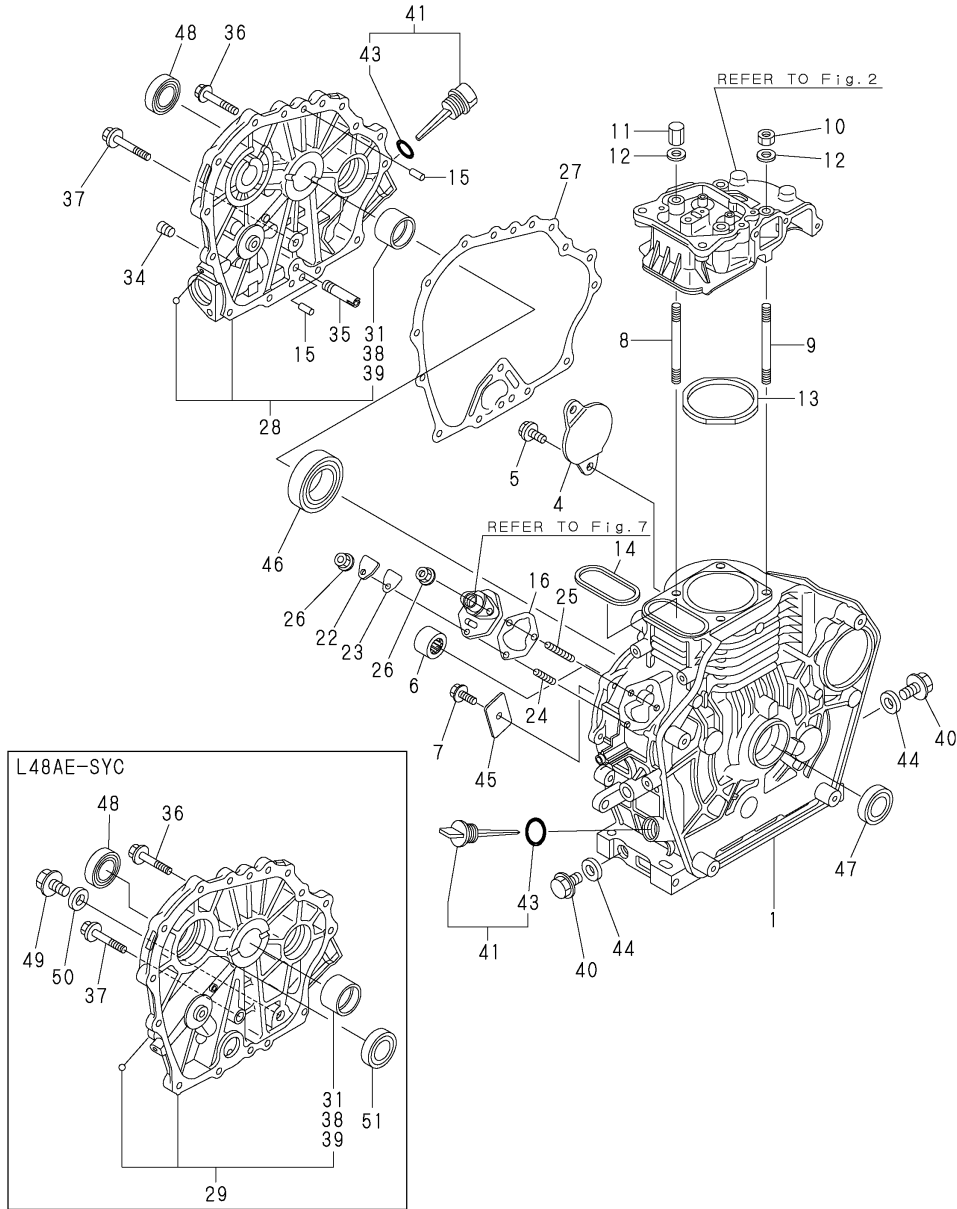
MODEL : L40AE SERIES
PC NO : 0CR10-G54900

Fig.No. GROUP NAME
L48AE SERIES

Fig.No. GROUP NAME

1. CYLINDER BLOCK
2. CYLINDER HEAD & BONNET
3. AIR CLEANER & MUFFLER
4. CRANKSHAFT,PISTON & CAMSHAFT
5. LUB.OIL PUMP & GOVERNOR
6. COOLING & STARTING DEVICE
7. FUEL INJECTION PUMP
8. FUEL TANK & FUEL PIPE
9. STARTING MOTOR
10. TOOL,LABEL & GASKET SET

Fig.1. CYLINDER BLOCK

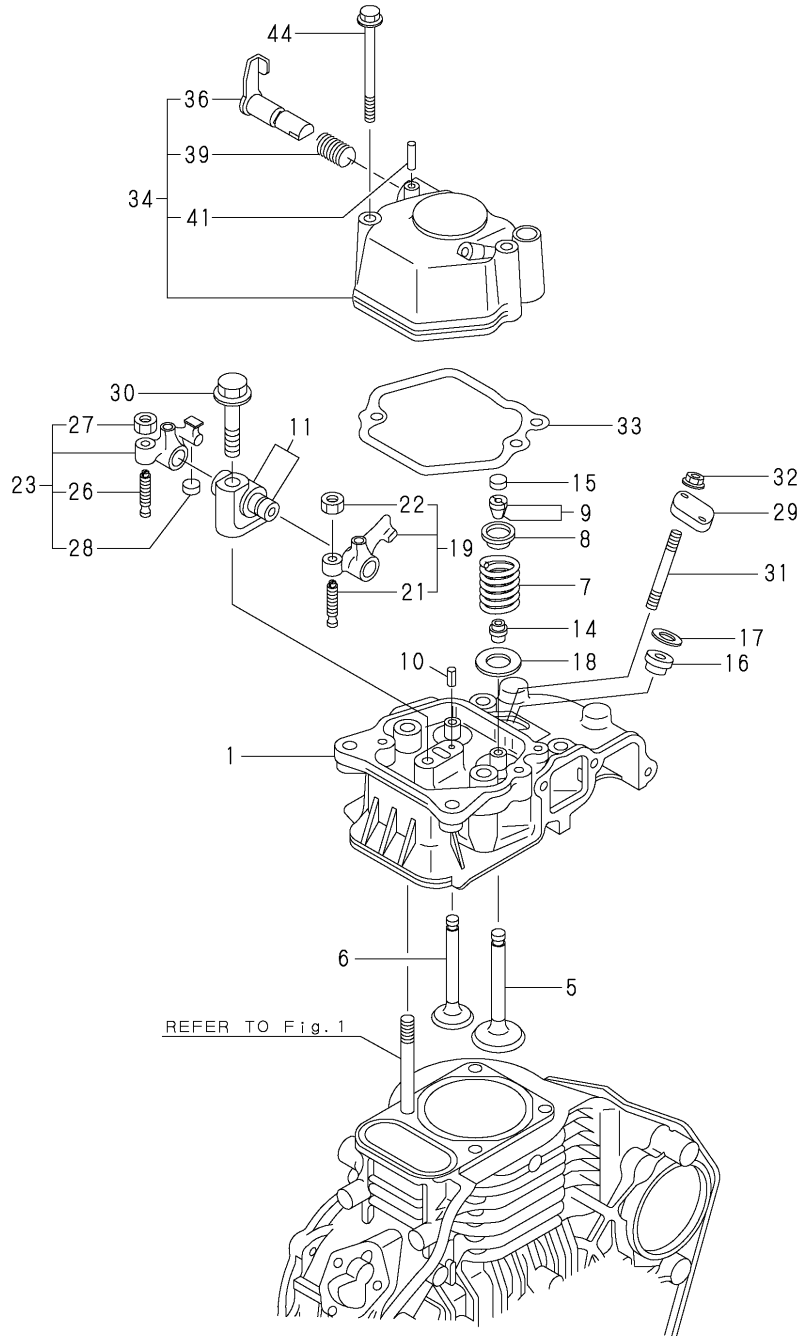


Remarks
 (1)REPAIR PART.
 (2)UNDER SIZED(U.S.=0.25)PART.
 (3)UNDER SIZED(U.S.=0.50)PART.

(A)=L48AE-DYC (D)=L48AE-DGYC
 (B)=L48AE-DEYC (E)=L48AE-SYC
 (C)=L48AE-DEGYC (F)=

REF.	LEV.	PARTS NO.	DESCRIPTION	QTY						I	R
				(A)	(B)	(C)	(D)	(E)	(F)		
1	1	114299-01050	BLOCK ASSY, CYLINDER	1	1	1	1	1			
4	1	114399-01700	COVER, STARTER	1			1	1			
5	1	26106-100122	BOLT M10X 12 PLATED	2			2	2			
6	1	24162-152112	NEEDLE BEARING	1	1	1	1	1			
7	1	26106-080122	BOLT M 8X 12 PLATED	1	1	1	1	1			
8	1	114299-01200	BOLT, CYL.HEAD A	2	2	2	2	2			
9	1	114299-01210	BOLT, CYL.HEAD B	2	2	2	2	2			
10	1	114299-01220	NUT, CYLINDER HEAD A	2	2	2	2	2			
11	1	114299-01230	HEAD NUT(B)	2	2	2	2	2			
12	1	124950-01250	WASHER	4	4	4	4	4			
13	1	114299-01330	GASKET, HEAD	1	1	1	1	1			
14	1	114299-01380	O-RING	1	1	1	1	1			
15	1	114270-01600	PARALLEL PIN 8X12	2	2	2	2	2			
16	1	114299-01800	SHIM SET	1	1	1	1	1			
22	1	114299-01830	COVER,(FO PUMP	1	1	1	1	1			
23	1	114299-01840	GASKET	1	1	1	1	1			
24	1	26226-060182	STUD M 6X 18 PLATED	1	1	1	1	1			
25	1	26226-060222	STUD M 6X 22 PLATED	2	2	2	2	2			
26	1	26366-060002	NUT M 6	3	3	3	3	3			
27	1	114299-01410	GASKET, CRANK CASE	1	1	1	1	1			
28	1	114260-01455	COVER (D),CRANK CASE	1	1	1	1				
29	1	114250-01452	COVER (S),CRANK CASE						1		
31	2	114250-02100	BEARING, MAIN	1	1	1	1	1		1	
34	1	23876-010000	PLUG PT1/8,SCREW	1	1	1	1				
35	1	114299-35150	PIPE, L.O. INLET	1	1	1	1				
36	1	26106-060252	BOLT M 6X 25 PLATED	14	14	14	14	14			
37	1	26106-080352	BOLT M 8X 35 PLATED	1	1	1	1	1			
38	1	114250-02200	MAIN BEARING US=0.25	1	1	1	1	1		2	
39	1	114250-02210	MAIN BEARING US=0.50	1	1	1	1	1		3	
40	1	105425-01690	PLUG M16	2	2	2	2	2			
41	1	114299-01760	CAP, W/LUB.OIL GAUGE	2	2	2	2	2			
43	2	114299-01950	O-RING	2	2	2	2	2			
44	1	22190-160002	SEAL WASHER 16S	2	2	2	2	2			
45	1	114299-02030	RETAINER	1	1	1	1	1			
46	1	114250-02113	BALL BEARING	1	1	1	1	1			
47	1	114299-02220	SEAL, OIL	1	1	1	1	1			
48	1	160210-02220	SEAL, OIL	1	1	1	1	1			
49	1	105425-01690	PLUG M16						1		
50	1	22190-160002	SEAL WASHER 16S						1		
51	1	24101-062050	BALL BEARING						1		

Fig.2. CYLINDER HEAD & BONNET

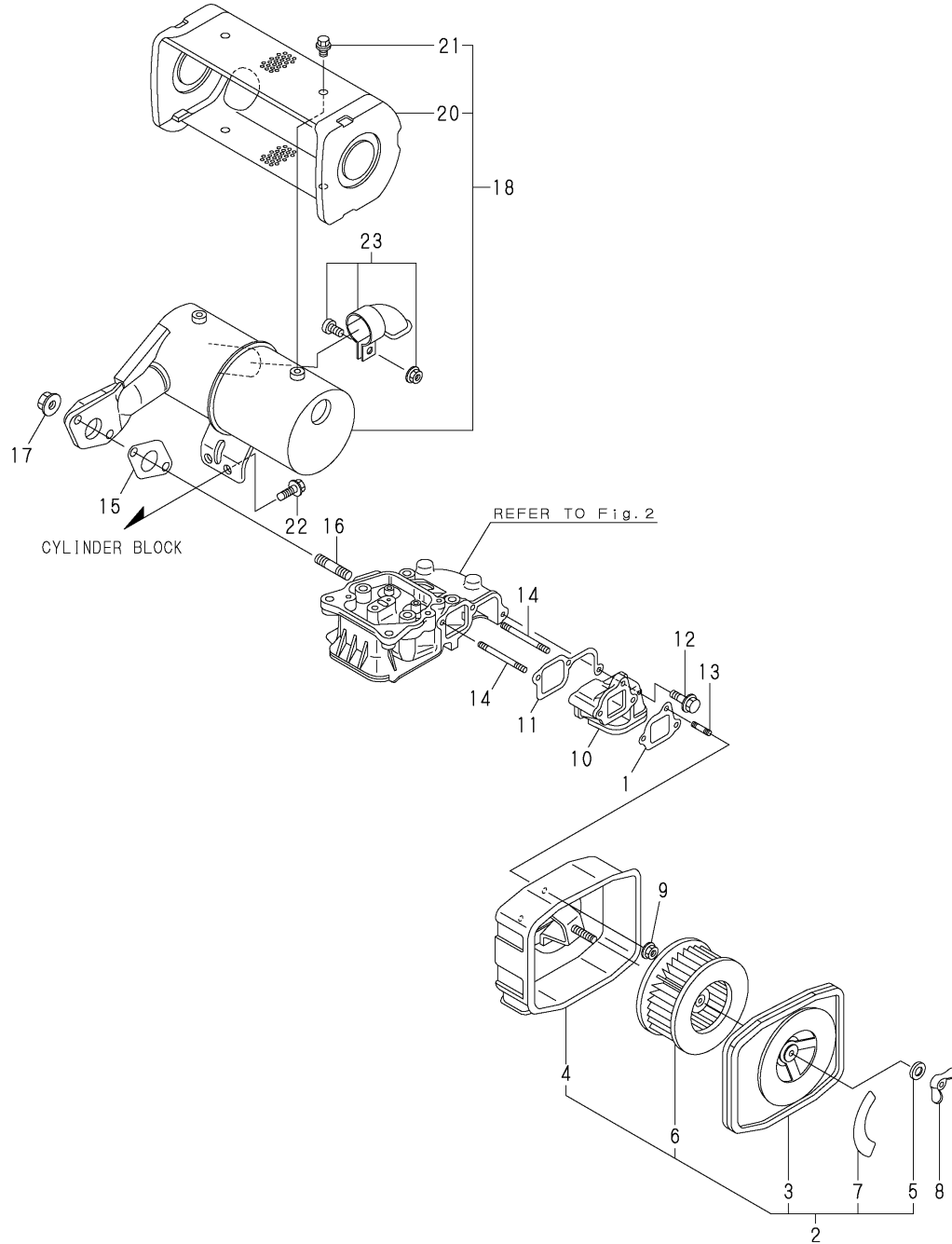


OCR10-G54900 2. CYLINDER HEAD & BONNET

(A)=L48AE-DYC (D)=L48AE-DGYC
 (B)=L48AE-DEYC (E)=L48AE-SYC
 (C)=L48AE-DEGYC (F)=

REF.	LEV.	PARTS NO.	DESCRIPTION	Q'TY						I	R
				(A)	(B)	(C)	(D)	(E)	(F)		
1	1	114770-11020	HEAD ASSY, CYLINDER	1	1	1	1	1			
5	1	114250-11101	VALVE, SUCTION	1	1	1	1	1			
6	1	114250-11113	VALVE, EXHAUST	1	1	1	1	1			
7	1	114299-11120	SPRING, VALVE	2	2	2	2	2			
8	1	114250-11180	RETAINER, SPRING	2	2	2	2	2			
9	1	27310-055001	COTTER	2	2	2	2	2			
10	1	22351-040008	SPRING PIN 4X 8	1	1	1	1	1			
11	1	114250-11290	SUPPORT, ROCKER ARM	1	1	1	1	1			
14	1	114250-11340	SEAL, VALVE STEM	2	2	2	2	2			
15	1	119260-11370	CAP, VALVE	1	1	1	1	1			
16	1	114250-11460	GASKET, NOZZLE	1	1	1	1	1			
17	1	114350-11470	SPACER, NOZZLE	1	1	1	1	1			
18	1	114250-11600	WASHER	2	2	2	2	2			
19	1	114250-11651	ARM ASSY, INTAKE	1	1	1	1	1			
21	2	114250-11240	SCREW, VALVE ADJUST.	1	1	1	1	1			
22	2	26856-060002	LOCK NUT 6	1	1	1	1	1			
23	1	714270-11660	ARM ASSY, EXHAUST	1	1	1	1	1			
26	3	114250-11240	SCREW, VALVE ADJUST.	1	1	1	1	1			
27	3	26856-060002	LOCK NUT 6	1	1	1	1	1			
28	2	119260-11370	CAP, VALVE	1	1	1	1	1			
29	1	114299-11901	RETAINER, NOZZLE	1	1	1	1	1			
30	1	26106-080452	BOLT M 8X 45 PLATED	1	1	1	1	1			
31	1	26226-060502	STUD M 6X 50	2	2	2	2	2			
32	1	26366-060002	NUT M 6	2	2	2	2	2			
33	1	114250-11311	GASKET, BONNET	1	1	1	1	1			
34	1	114299-11950	BONNET ASSY, HEAD	1	1	1	1	1			
36	2	114250-03591	SHAFT ASSY, DECOMP.	1	1	1	1	1			
39	2	114250-03640	SPRING	1	1	1	1	1			
41	2	22312-030160	PARALLEL PIN 3X16	1	1	1	1	1			
44	1	26106-060552	BOLT M 6X 55 PLATED	2	2	2	2	2			

Fig.3. AIR CLEANER & MUFFLER



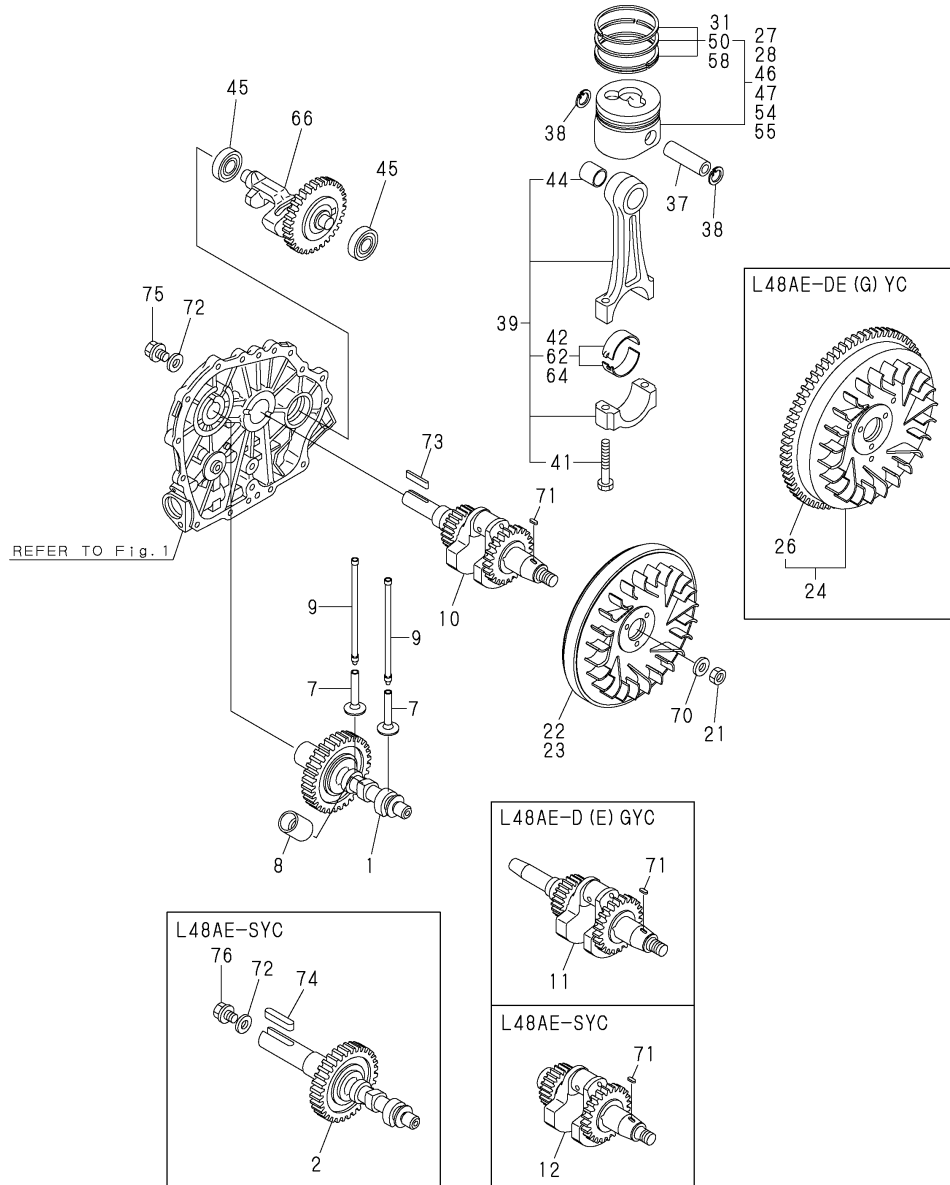
OCR10-G54900 3. AIR CLEANER & MUFFLER

(A)=L48AE-DYC
(B)=L48AE-DEYC
(C)=L48AE-DEGYC

(D)=L48AE-DGYC
(E)=L48AE-SYC
(F)=

REF.	LEV.	PARTS NO.	DESCRIPTION	Q'TY						I	R
				(A)	(B)	(C)	(D)	(E)	(F)		
1	1	114299-12210	GASKET, AIR CLEANER	1	1	1	1	1			
2	1	114250-12570	CLEANER, AIR	1	1	1	1	1			
3	2	114250-12520	COVER, AIR CLEANER	1	1	1	1	1			
4	2	114250-12530	CASE, AIR CLEANER	1	1	1	1	1			
5	2	114250-12560	WASHER M 6, SEAL	1	1	1	1	1			
6	2	114250-12581	ELEMENT, WET AIR	1	1	1	1	1			
7	2	114770-07450	LABEL, AIR CLEANER	1	1	1	1	1			
8	1	114250-12550	WING-NUT, M 6	1	1	1	1	1			
9	1	114250-12300	U-NUT	3	3	3	3	3			
10	1	114299-12010	PIPE, AIR INTAKE	1	1	1	1	1			
11	1	114299-12200	GASKET, AIR INTAKE	1	1	1	1	1			
12	1	26106-060252	BOLT M 6X 25 PLATED	1	1	1	1	1			
13	1	26226-060142	STUD M 6X 14 PLATED	1	1	1	1	1			
14	1	26226-060552	STUD M6X 55 PLATED	2	2	2	2	2			
15	1	114299-13200	GASKET, MUFFLER	1	1	1	1	1			
16	1	26216-080182	STUD M 8X 18 PLATED	2	2	2	2	2			
17	1	26306-080002	NUT	2	2	2	2	2			
18	1	114299-13520	MUFFLER	1	1	1	1	1			
20	2	114299-13700	COVER, MUFFLER	1	1	1	1	1			
21	2	26106-060082	BOLT M 6X 8 PLATED	4	4	4	4	4			
22	1	26106-060122	BOLT M 6X 12 PLATED	2	2	2	2	2			
23	1	114299-13800	DEFLECTOR, (EXH	1	1	1	1	1			

Fig.4. CRANKSHAFT,PISTON & CAMSHAFT



OCR10-G54900 4. CRANKSHAFT,PISTON & CAMSHAFT

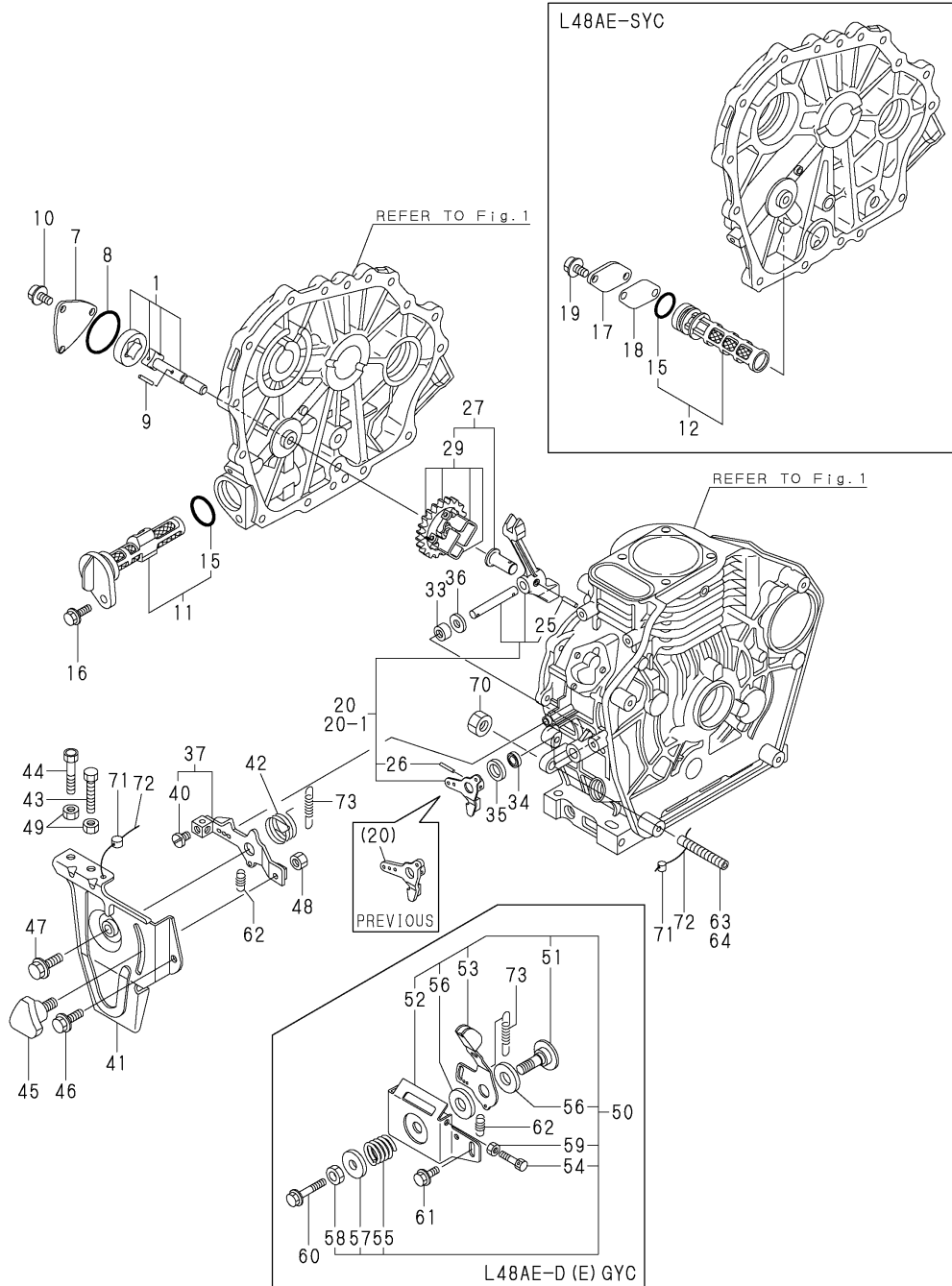
(A)=L48AE-DYC (D)=L48AE-DGYC
 (B)=L48AE-DEYC (E)=L48AE-SYC
 (C)=L48AE-DEGYC (F)=

REF.	LEV.	PARTS NO.	DESCRIPTION	QTY						I	R
				(A)	(B)	(C)	(D)	(E)	(F)		
1	1	714299-14580	CAMSHAFT (D) ASSY	1	1	1	1				
2	1	714770-14670	CAMSHAFT (S) ASSY							1	
7	1	114250-14200	TAPPET	2	2	2	2	2	2		
8	1	114771-14260	TAPPET,F.O.	1	1	1	1	1	1		
9	1	114250-14451	ROD, PUSH	2	2	2	2	2	2		
10	1	714288-21700	CRANKSHAFT ASY.(D/DE)	1	1						
11	1	714288-21730	CRANKSHAFT ASY.(DGMO)				1	1			
12	1	714278-21710	CRANKSHAFT ASSY(S)							1	
21	1	114299-21220	NUT	1	1	1	1	1	1		
22	1	114299-21400	FLYWHEEL	1			1				
23	1	114299-21440	FLYWHEEL, S							1	
24	1	114299-21590	FLYWHEEL, DE ASSY		1	1					
26	2	114262-21600	GEAR, RING		1	1					
27	1	714780-22721	PISTON W/RINGS (D)	1	1	1	1				
28	1	714770-22721	PISTON W/RINGS (S)							1	
31	2	714770-22501	RING SET, PISTON	1	1	1	1	1	1		
37	1	114299-22300	PIN, PISTON	1	1	1	1	1	1		
38	1	22252-000190	CIRCLIP 19	2	2	2	2	2	2		
39	1	71477G-23700	ROD ASSY, CONNECTING	1	1	1	1	1	1		
41	2	119265-23200	BOLT, ROD	2	2	2	2	2	2		
42	2	714770-23600	BEARING, CRANKPIN	1	1	1	1	1	1		
44	2	114770-23100	BUSH, PISTON PIN	1	1	1	1	1	1		
45	1	24101-062020	BALL BEARING	2	2	2	2	2	2		
46	1	714780-22621	PISTON W/RING OS=.25	1	1	1	1				1
47	1	714770-22621	PISTON W/RING OS=.25							1	1
50	2	714770-22541	RING SET O.S=0.25	1	1	1	1	1	1		1
54	1	714780-22581	PISTON W/RING OS=0.5	1	1	1	1				2
55	1	714770-22581	PISTON W/RING OS=0.5							1	2
58	2	714770-22551	RING SET O.S=0.50	1	1	1	1	1	1		2
62	1	714770-23610	BEARING,PIN(U.S=0.25)	1	1	1	1	1	1		3
64	1	714770-23620	BEARING,PIN(U.S=0.50)	1	1	1	1	1	1		4
66	1	714770-28511	SHAFT ASSY, BALANCER	1	1	1	1	1	1		
70	1	114299-21550	WASHER, FLYWHEEL	1	1	1	1	1	1		
71	1	22512-040120	KEY 4X 12	1	1	1	1	1	1		
72	1	160310-14550	WASHER	1	1				1		
73	1	160642-21150	KEY 4.7X30	1	1						
74	1	22512-050300	KEY 5X 30							1	
75	1	160642-21250	BOLT 5/15-24UNF	1	1						
76	1	26106-080202	BOLT M 8X 20 PLATED							1	

Remarks

- (1)OVER SIZED(O.S.=0.25)PART.
- (2)OVER SIZED(O.S.=0.50)PART.
- (3)UNDER SIZED(U.S.=0.25)PART.
- (4)UNDER SIZED(U.S.=0.50)PART.

Fig.5. LUB.OIL PUMP & GOVERNOR



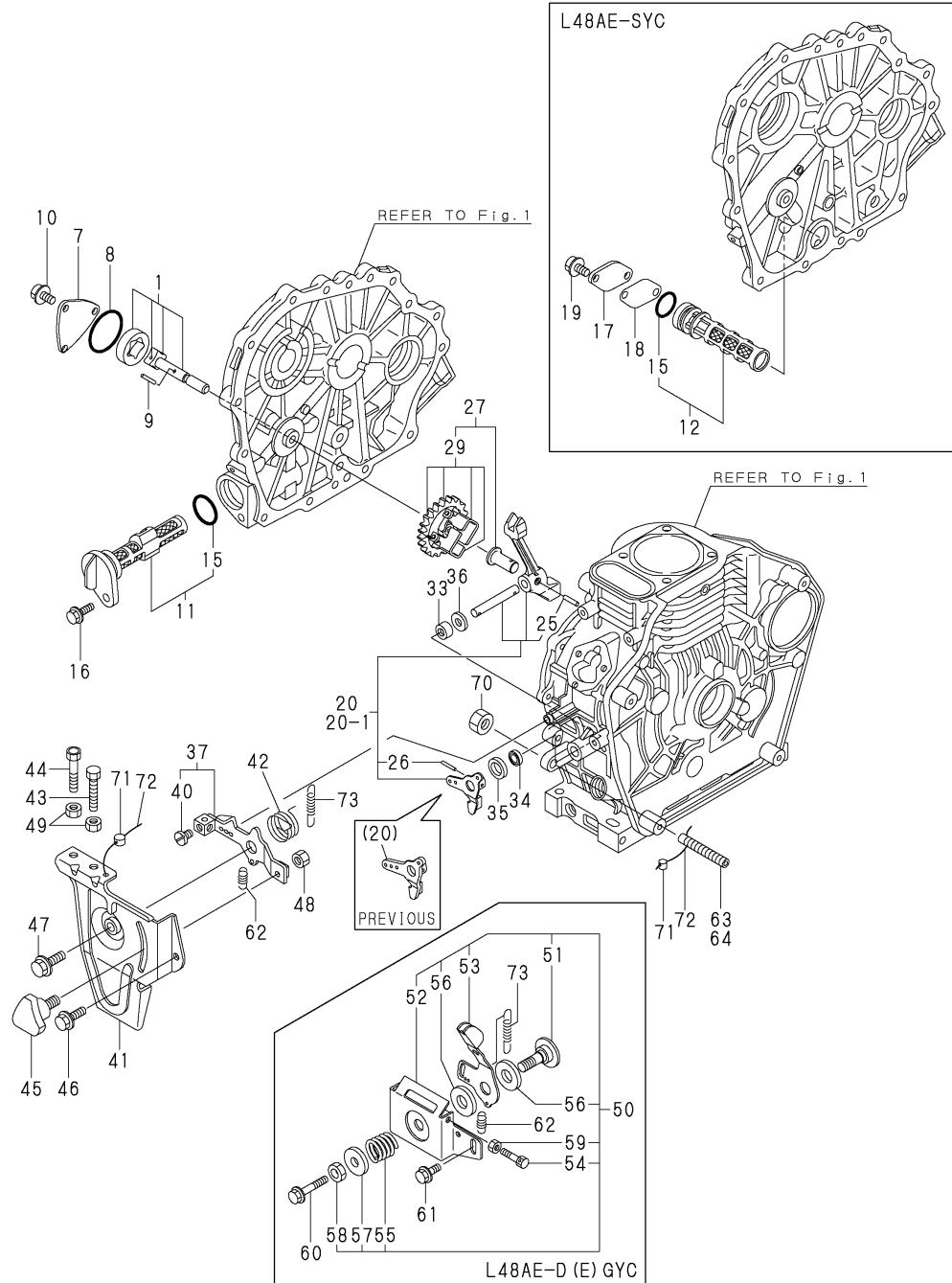
OCR10-G54900 5. LUB.OIL PUMP & GOVERNOR

(A)=L48AE-DYC (D)=L48AE-DGYC
 (B)=L48AE-DEYC (E)=L48AE-SYC
 (C)=L48AE-DEGYC (F)=

REF.	LEV.	PARTS NO.	DESCRIPTION	Q'TY						I	R
				(A)	(B)	(C)	(D)	(E)	(F)		
1	1	114250-32010	PUMP ASSY, LUB.OIL	1	1	1	1	1			
7	1	114299-32070	COVER, LUB. OIL PUMP	1	1	1	1	1			
8	1	114299-32570	O-RING, COVER	1	1	1	1	1			
9	1	22312-030160	PARALLEL PIN 3X16	1	1	1	1	1			
10	1	26476-060142	BOLT M 6X 14,TAPPING	3	3	3	3	3			
11	1	114299-35110	FILTER CMP, LUB.OIL	1	1	1	1				
12	1	114299-35100	FILTER ASSY, LUB.OIL							1	
15	2	24341-000224	O-RING 1A S-22.4	1	1	1	1	1			
16	1	26106-060162	BOLT M 6X 16 PLATED	1	1	1	1				
17	1	114250-35250	COVER							1	
18	1	114250-35271	GASKET, STRAINER							1	
19	1	26106-060122	BOLT M 6X 12 PLATED							2	
20	1	714250-61500	LEVER ASSY, GOVERNOR	1	1	1	1	1			
20-1	1	714250-61501	LEVER ASSY, GOVERNOR	1	1	1	1	1		S	
(A=*2001.08) (B=*2001.08) (C=*2001.08) (D=*2001.08) (E=*2001.08)											
25	3	22322-030200	TAPER PIN 3X20	1	1	1	1	1			
26	2	22322-030200	TAPER PIN 3X20	1	1	1	1	1			
27	1	714299-61700	GOVERNOR ASSY	1	1	1	1	1			
29	2	114299-61210	WEIGHT ASSY,GOVERNOR	1	1	1	1	1			
33	1	114770-61520	BEARING,NEEDLE	2	2	2	2	2			
34	1	114299-61600	SEAL, OIL	1	1	1	1	1			
35	1	114770-61610	WASHER, THRUST	1	1	1	1	1			
36	1	114299-61190	WASHER, GOVERNOR	1	1	1	1	1			
37	1	114299-66060	HANDLE CMP(REGULATOR)	1	1	1	1	1			
40	2	26117-050089	BOLT M 5X 8 PLATED	1	1			1			
41	1	114299-66101	STAY, HANDLE	1	1			1			
42	1	114252-66252	SPRING, RETURN	1	1			1			
43	1	114299-66440	BOLT, ADJUSTING	1	1			1			
44	1	102100-67080	BOLT, ADJUSTING	1	1			1			
45	1	160725-78350	KNOB (W/M6X15)	1	1			1			
46	1	26106-060142	BOLT M 6X 14 PLATED	1	1			1			
47	1	26106-060202	BOLT M 6X 20 PLATED	1	1			1			
48	1	26347-060002	U-NUT, 6	1	1			1			
49	1	26757-060002	NUT, 6	2	2			2			
50	1	183250-66500	STAY, HANDLE			1	1				
51	2	183250-66070	SHAFT, HANDLE			1	1				
52	2	183250-66100	BRACKET, REGULATOR			1	1				
53	2	183250-66050	HANDLE, REGULATOR			1	1				
54	2	114250-66440	BOLT, ADJUSTING			1	1				
55	2	104200-66820	SPRING			1	1				
56	2	104200-66831	PLATE, FRICTION			2	2				
57	2	104200-66850	WASHER (B)			1	1				
58	2	26696-100002	LOCK NUT M10			1	1				
59	2	26757-060002	NUT M 6			1	1				
60	1	26106-060452	BOLT M 6X 45 PLATED			1	1				
61	1	26476-060142	BOLT M 6X 14,TAPPING			1	1				
62	1	114299-66200	SPRING, RETURN	1	1	1	1	1			
63	1	114250-66550	TORQUE SPRING ASSY	1	1			1			
64	1	114770-66550	TORQUE SPRING ASSY			1	1				
70	1	26776-100002	LOCK NUT M10 PLATED	1	1	1	1	1			
71	1	135210-61090	LEAD	2	2	2	2	2			

N:Old $\xrightarrow{\text{Yes}}$ New, Q:Old $\xrightarrow{\text{No}}$ New, R:Old $\xrightarrow{\text{Yes}}$ New, S:Old $\xrightarrow{\text{No}}$ New, W:Add, Z:Discontinued, F:Interchangeable by set, K:Q'ty Change
 ++ CONTINUE ++ (C)Copy Rights YANMAR CO.,LTD.

Fig.5. LUB.OIL PUMP & GOVERNOR



OCR10-G54900 5. LUB.OIL PUMP & GOVERNOR

(A)=L48AE-DYC
(B)=L48AE-DEYC
(C)=L48AE-DEGYC

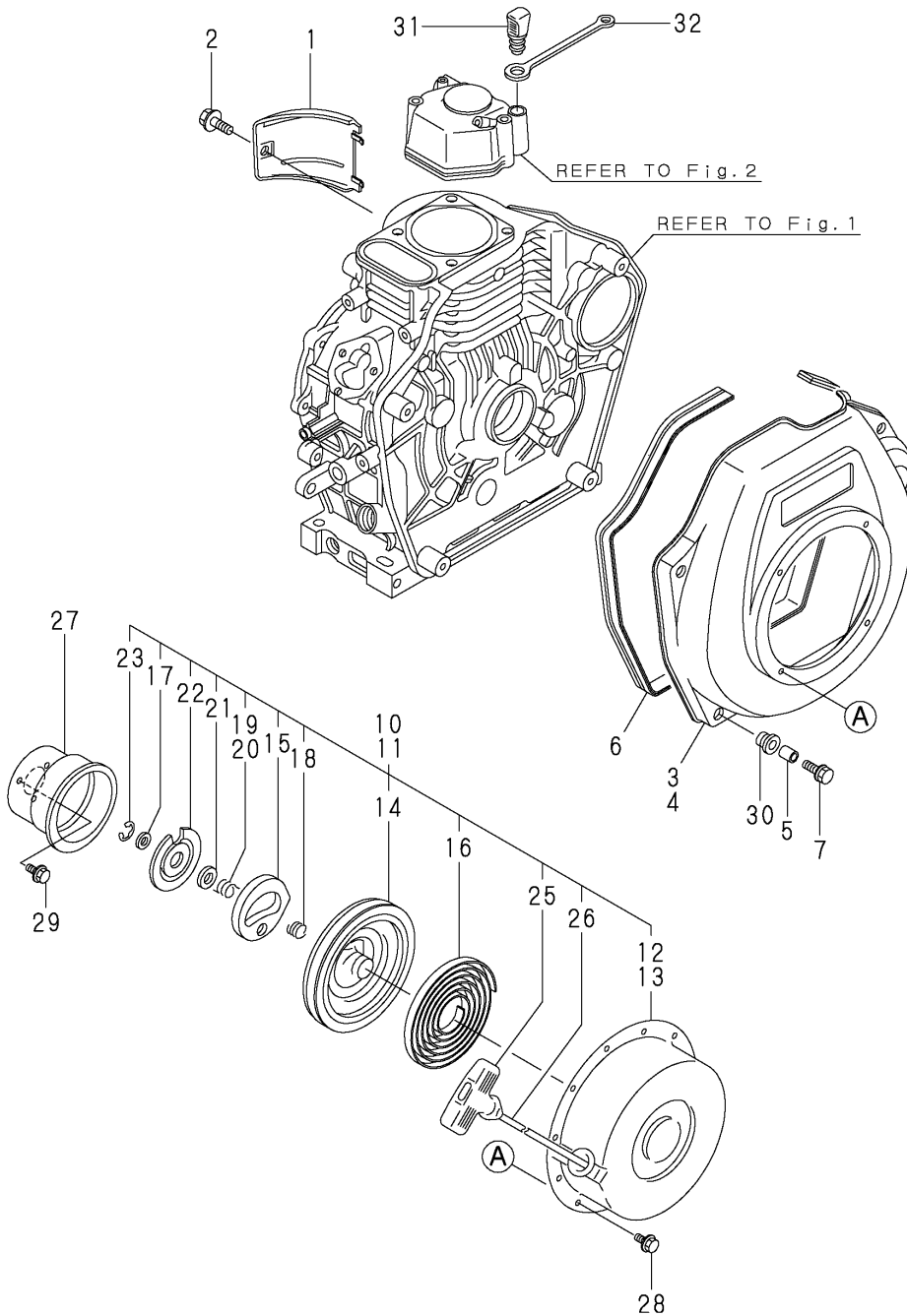
(D)=L48AE-DGYC
(E)=L48AE-SYC
(F)=

REF.	LEV.	PARTS NO.	DESCRIPTION	QTY						I	R
				(A)	(B)	(C)	(D)	(E)	(F)		
72	1	22451-060000	WIRE 0.6	2	2	2	2	2			
73	1	114299-66010	SPRING, REGULATOR	1	1	1	1	1			

Fig.6. COOLING & STARTING DEVICE

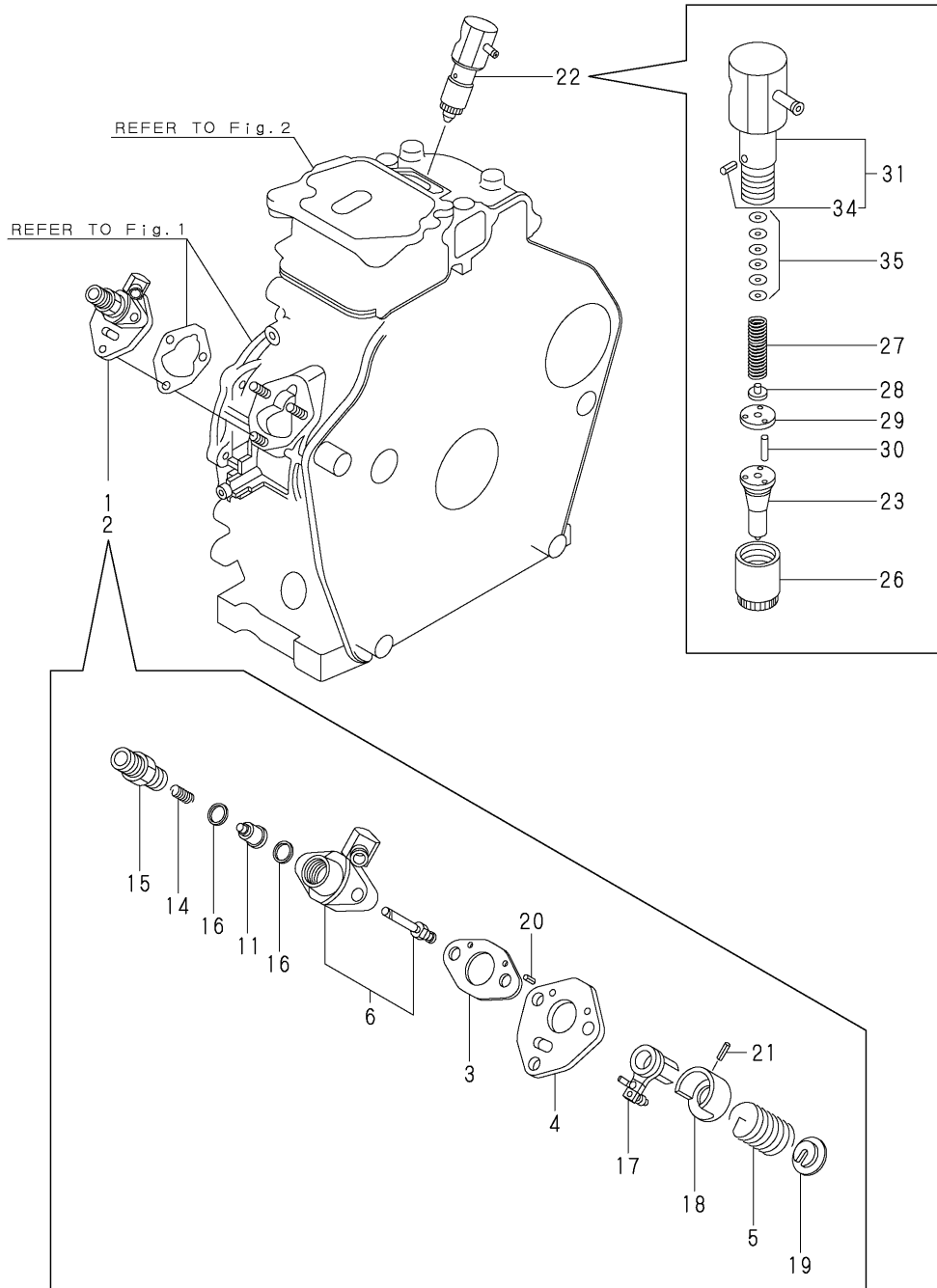
(A)=L48AE-DYC
(B)=L48AE-DEYC
(C)=L48AE-DEGYC

(D)=L48AE-DGYC
(E)=L48AE-SYC
(F)=



REF.	LEV.	PARTS NO.	DESCRIPTION	Q'TY						I	R
				(A)	(B)	(C)	(D)	(E)	(F)		
1	1	114299-45210	COVER, CYLINDER	1	1	1	1	1			
2	1	26106-060122	BOLT M 6X 12 PLATED	1	1	1	1	1			
3	1	114299-45110	CASE,D(COOLING FAN-B	1	1	1	1				
4	1	114778-45100-1	CASE,E(COOLING FAN-S						1		
5	1	114299-45310	COLLAR, FAN CASE	4	4	4	4	4			
6	1	114250-45330	SEAL, FAN CASE	1	1	1	1	1			
7	1	114370-45351	BOLT, FAN CASE	4	4	4	4	4			
10	1	114260-76251	RECOIL STARTER(D)ASY	1	1	1	1				
11	1	114250-76251	RECOIL STARTER(S)ASY						1		
12	2	114260-76520	CASE (D) W/NO LABEL	1	1	1	1				
13	2	114250-76510	CASE, STARTER						1		
14	2	160260-76520	REEL, RECOIL		1	1	1	1	1		
15	2	160260-76530	RATCHET	1	1	1	1	1			
16	2	160260-76540	SPRING, SPIRAL	1	1	1	1	1			
17	2	160260-76550	WASHER, THRUST	1	1	1	1	1			
18	2	160260-76560	SPRING, FRICTION	1	1	1	1	1			
19	2	160290-76570	SPRING, RETURN	1	1	1	1				
20	2	160260-76570	SPRING, RETURN						1		
21	2	160260-76580	COVER, SPRING	1	1	1	1	1			
22	2	160260-76590	PLATE, FRICTION	1	1	1	1	1			
23	2	160260-76600	CIRCLIP(E)	1	1	1	1	1			
25	2	114250-76620	KNOB, STARTER	1	1	1	1	1			
26	2	160260-76630	ROPE, STARTER	1	1	1	1	1			
27	1	114250-76590	PULLEY, STARTER	1	1	1	1	1			
28	1	26106-060082	BOLT M 6X 8 PLATED	4	4	4	4	4			
29	1	26106-060122	BOLT M 6X 12 PLATED	3	3	3	3	3			
30	1	114250-45301	RUBBER, CUSHION	4	4	4	4	4			
31	1	114299-76600	PLUNGER	1	1	1	1	1			
32	1	114299-76610	HOLDER, PLUNGER	1	1	1	1	1			

Fig.7. FUEL INJECTION PUMP



OCR10-G54900 7. FUEL INJECTION PUMP

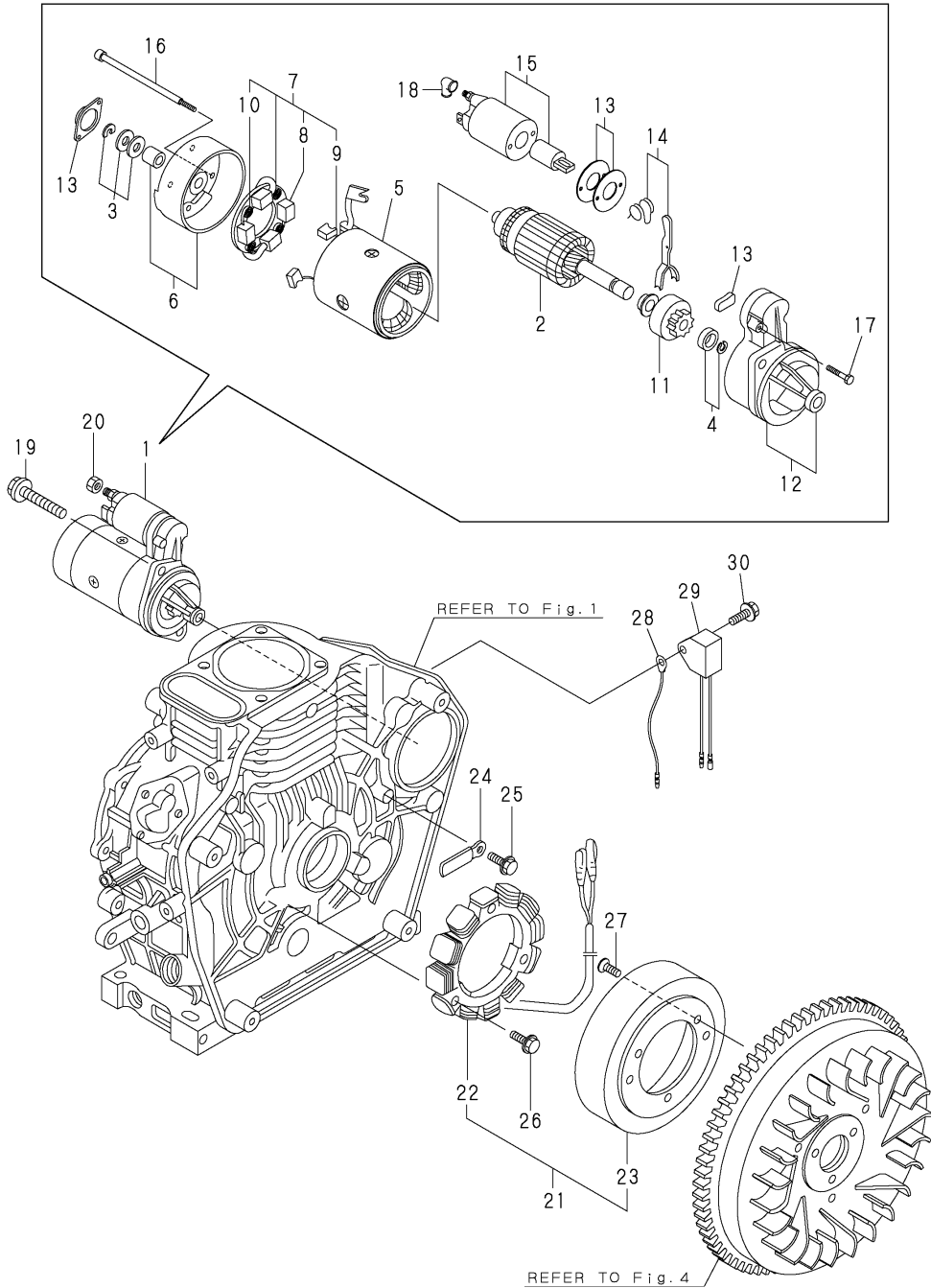
(A)=L48AE-DYC
(B)=L48AE-DEYC
(C)=L48AE-DEGYC

(D)=L48AE-DGYC
(E)=L48AE-SYC
(F)=

REF.	LEV.	PARTS NO.	DESCRIPTION	Q'TY						I	R
				(A)	(B)	(C)	(D)	(E)	(F)		
1	1	714770-51100	PUMP ASSY, F. INJECT	1	1			1			
2	1	714788-51100	PUMP ASSY, F.INJECT.				1	1			
3	2	105546-51020	GASKET	1	1	1	1	1			
4	2	114250-51080	PLATE	1	1	1	1	1			
5	2	114250-51160	SPRING	1	1	1	1	1			
6	2	114250-51200	BODY, F.I. PUMP	1	1	1	1	1			
11	2	114250-51300	VALVE ASSY, DELIVERY	1	1	1	1	1			
14	2	105546-51330	SPRING, DELIV. VALVE	1	1	1	1	1			
15	2	114250-51340	HOLDER, F.I.P.DELIVE	1	1	1	1	1			
16	2	124550-51350	GASKET, DELIVERY	2	2	2	2	2			
17	2	114250-51600	LEVER ASSY, CONTROL	1	1	1	1	1			
18	2	114250-51640	SEAT (A), SPRING	1	1	1	1	1			
19	2	114250-51650	SEAT (B), SPRING	1	1	1	1	1			
20	2	22351-020006	SPRING PIN 2X 6	2	2	2	2	2			
21	2	22351-030008	SPRING PIN 3X 8	1	1	1	1	1			
22	1	714250-53101	VALVE ASSY, F.INJECT	1	1	1	1	1			
23	2	114250-53001	NOZZLE ASSY,F.INJECT	1	1	1	1	1			
26	2	114250-53080	NUT, NOZZLE CASE	1	1	1	1	1			
27	2	114250-53120	SPRING, NOZZLE	1	1	1	1	1			
28	2	114250-53130	SEAT, NOZZLE SPRING	1	1	1	1	1			
29	2	114250-53140	PLATE, STOP	1	1	1	1	1			
30	2	114250-53210	PIN	2	2	2	2	2			
31	2	114250-53300	HOLDER ASSY, NOZZLE	1	1	1	1	1			
34	3	114250-53331	PIN, SPRING	1	1	1	1	1			
35	2	114250-53400	SHIM PACK	1	1	1	1	1			

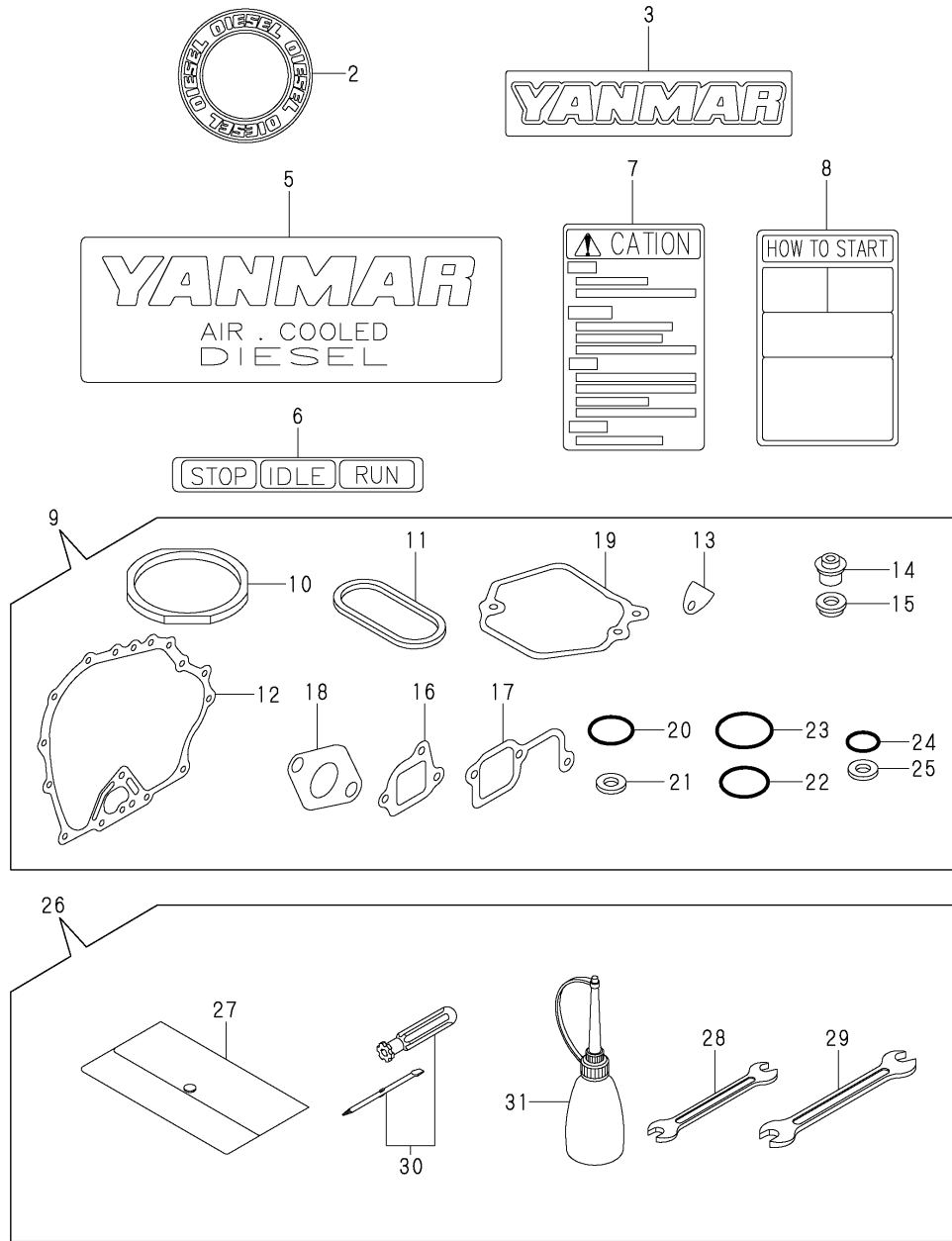
Fig.9. STARTING MOTOR

(A)=L48AE-DYC (D)=L48AE-DGYC
 (B)=L48AE-DEYC (E)=L48AE-SYC
 (C)=L48AE-DEGYC (F)=



REF.	LEV.	PARTS NO.	DESCRIPTION	QTY						I	R
				(A)	(B)	(C)	(D)	(E)	(F)		
1	1	114362-77011	STARTER(S114-651A)	1	1						
2	2	114381-77110	ARMATURE	1	1						
3	2	X2114811000	WASHER KIT, THRUST	1	1						
4	2	X2114715500	STOPPER SET, PINION	1	1						
5	2	114381-77130	COIL ASSY, FIELD	1	1						
6	2	114381-77140	COVER, REAR	1	1						
7	2	114371-77160	HOLDER ASSY, BRUSH	1	1						
8	3	114371-79040	BRUSH (-)	2	2						
9	3	114371-79050	BRUSH (+)	1	1						
10	3	114371-79060	SPRING, BRUSH	4	4						
11	2	X211485016	PINION ASSY	1	1						
12	2	114381-77151	HOUSING ASSY, GEAR	1	1						
13	2	114371-77170	COVER KIT, DUST	1	1						
14	2	114371-77180	SHIFT LEVER KIT	1	1						
15	2	124298-77020	SWITCH, MAGNET	1	1						
16	2	124195-77770	THROUGH BOLT	2	2						
17	2	114371-79070	BOLT M 6X 37	2	2						
18	2	X2114274200	COVER (A), RUBBER	1	1						
19	1	26106-100302	BOLT M10X 30 PLATED	2	2						
20	1	26716-080002	NUT M 8	1	1						
21	1	114399-78250	DINAMO ASSY, 1A	1	1						
22	2	114399-78710	STATOR ASSY	1	1						
23	2	114399-78720	WHEEL, DYNAMO	1	1						
24	1	160710-78710	CLAMP, WIRE	1	1						
25	1	26106-060122	BOLT M 6X 12 PLATED	1	1						
26	1	26106-060202	BOLT M 6X 20 PLATED	3	3						
27	1	26577-060142	SCREW M 6X 14	3	3						
28	1	183350-77400	WIRE, LEAD	1	1						
29	1	160970-77350	RECTIFIER	1	1						
30	1	26106-060122	BOLT M 6X 12 PLATED	1	1						

Fig.10. TOOL,LABEL & GASKET SET



Remarks
(1)OPTIONAL

(A)=L48AE-DYC
(B)=L48AE-DEYC
(C)=L48AE-DEGYC

(D)=L48AE-DGYC
(E)=L48AE-SYC
(F)=

REF.	LEV.	PARTS NO.	DESCRIPTION	QTY						I	R
				(A)	(B)	(C)	(D)	(E)	(F)		
2	1	114299-07160	LABEL, DIESEL	1	1	1	1	1			
3	1	114299-07110	LABEL, YANMAR	1	1	1	1	1			
5	1	114299-07100	LABEL, AIR COOLED	1	1	1	1	1			
6	1	183250-07230	LABEL, OPERATION			1	1				
7	1	114299-07120	LABEL, CAUTION	1	1	1	1	1			
8	1	114299-07140	LABEL, HOW TO START	1	1	1	1	1			
9	1	714299-92610	GASKET SET	1	1	1	1	1			1
10	2	114299-01330	GASKET, HEAD	1	1	1	1	1			
11	2	114299-01380	O-RING	1	1	1	1	1			
12	2	114299-01410	GASKET, CRANK CASE	1	1	1	1	1			
13	2	114299-01840	GASKET	1	1	1	1	1			
14	2	114250-11340	SEAL, VALVE STEM	2	2	2	2	2			
15	2	114250-11460	GASKET, NOZZLE	1	1	1	1	1			
16	2	114299-12210	GASKET, AIR CLEANER	1	1	1	1	1			
17	2	114299-12200	GASKET, AIR INTAKE	1	1	1	1	1			
18	2	114299-13200	GASKET, MUFFLER	1	1	1	1	1			
19	2	114250-11311	GASKET, BONNET	1	1	1	1	1			
20	2	114299-01950	O-RING	2	2	2	2	2			
21	2	22190-160002	SEAL WASHER 16S	2	2	2	2	2			
22	2	24341-000224	O-RING 1A S-22.4	1	1	1	1	1			
23	2	114299-32570	O-RING, COVER	1	1	1	1	1			
24	1	24341-000150	O-RING 1A S-15.0	1	1	1	1	1			
25	1	23414-080000	GASKET 8, ROUND	1	1	1	1	1			
26	1	114299-92590	TOOL ASSY	1	1	1	1	1			
27	2	114299-92600	TOOL BAG	1	1	1	1	1			
28	2	114299-92710	SPANNA	1	1	1	1	1			
29	2	114299-92720	SPANNA	1	1	1	1	1			
30	2	114299-92730	DRIVER	1	1	1	1	1			
31	2	114299-92740	FITTING, FUEL	1	1	1	1	1			

Part Number Index

All parts are stipulated in the order of part numbers.

(Depending on the area in which the part is used.)

This index will display the location of the part according to each part number.

PARTS No. INDEX

PARTS No.	Fig.	Ref.No.
102100-67080	5	44
104200-66820	5	55
104200-66831	5	56
104200-66850	5	57
105300-55080	8	3
105425-01690	1	40
		49
105546-51020	7	3
105546-51330	7	14
114250-01452	1	29
114250-02100	1	31
114250-02113	1	46
114250-02200	1	38
114250-02210	1	39
114250-03591	2	36
114250-03640	2	39
114250-11101	2	5
114250-11113	2	6
114250-11180	2	8
114250-11240	2	21
		26
114250-11290	2	11
114250-11311	2	33
	10	19
114250-11340	2	14
	10	14
114250-11460	2	16
	10	15
114250-11600	2	18
114250-11651	2	19
114250-12300	3	9
114250-12520	3	3
114250-12530	3	4
114250-12550	3	8
114250-12560	3	5
114250-12570	3	2
114250-12581	3	6
114250-14200	4	7
114250-14451	4	9
114250-32010	5	1
114250-35250	5	17
114250-35271	5	18
114250-45301	6	30
114250-45330	6	6
114250-51080	7	4
114250-51160	7	5
114250-51200	7	6
114250-51300	7	11
114250-51340	7	15
114250-51600	7	17

PARTS No.	Fig.	Ref.No.
114250-51640	7	18
114250-51650	7	19
114250-53001	7	23
114250-53080	7	26
114250-53120	7	27
114250-53130	7	28
114250-53140	7	29
114250-53210	7	30
114250-53300	7	31
114250-53331	7	34
114250-53400	7	35
114250-55100	8	5
114250-55121	8	11
114250-55130	8	12
114250-55150	8	9
114250-55301	8	16
114250-59060	8	27
114250-59800	8	28
114250-66440	5	54
114250-66550	5	63
114250-76251	6	11
114250-76510	6	13
114250-76590	6	27
114250-76620	6	25
114252-66252	5	42
114260-01455	1	28
114260-76251	6	10
114260-76520	6	12
114262-21600	4	26
114268-59061	8	25
114270-01600	1	15
114270-59010	8	24
114288-55041	8	6
114288-55081	8	8
114299-01050	1	1
114299-01200	1	8
114299-01210	1	9
114299-01220	1	10
114299-01230	1	11
114299-01330	1	13
	10	10
114299-01380	1	14
	10	11
114299-01410	1	27
	10	12
114299-01760	1	41
114299-01800	1	16
114299-01830	1	22
114299-01840	1	23
	10	13

PARTS No.	Fig.	Ref.No.
114299-01950	1	43
	10	20
114299-02030	1	45
114299-02220	1	47
114299-07100	10	5
114299-07110	10	3
114299-07120	10	7
114299-07140	10	8
114299-07160	10	2
114299-11120	2	7
114299-11901	2	29
114299-11950	2	34
114299-12010	3	10
114299-12200	3	11
	10	17
114299-12210	3	1
	10	16
114299-13200	3	15
	10	18
114299-13520	3	18
114299-13700	3	20
114299-13800	3	23
114299-21220	4	21
114299-21400	4	22
114299-21440	4	23
114299-21550	4	70
114299-21590	4	24
114299-22300	4	37
114299-32070	5	7
114299-32570	5	8
	10	23
114299-35100	5	12
114299-35110	5	11
114299-35150	1	35
114299-45110	6	3
114299-45210	6	1
114299-45310	6	5
114299-55201	8	13
114299-55210	8	14
114299-55230	8	15
114299-55450	8	10
114299-61190	5	36
114299-61210	5	29
114299-61600	5	34
114299-66010	5	73
114299-66060	5	37
114299-66101	5	41
114299-66200	5	62
114299-66440	5	43
114299-76600	6	31

PARTS No.	Fig.	Ref.No.
114299-76610	6	32
114299-92590	10	26
114299-92600	10	27
114299-92710	10	28
114299-92720	10	29
114299-92730	10	30
114299-92740	10	31
114350-11470	2	17
114362-77011	9	1
114370-45351	6	7
114371-77160	9	7
114371-77170	9	13
114371-77180	9	14
114371-79040	9	8
114371-79050	9	9
114371-79060	9	10
114371-79070	9	17
114381-77110	9	2
114381-77130	9	5
114381-77140	9	6
114381-77151	9	12
114399-01700	1	4
114399-78250	9	21
114399-78710	9	22
114399-78720	9	23
114650-55810	8	18
114770-07450	3	7
114770-11020	2	1
114770-23100	4	44
114770-59030	8	23
114770-61520	5	33
114770-61610	5	35
114770-66550	5	64
114771-14260	4	8
114778-45100-1	6	4
119260-11370	2	15
		28
119265-23200	4	41
124195-77770	9	16
124298-77020	9	15
124550-51350	7	16
124722-59050	8	26
124950-01250	1	12
135210-61090	5	71
160210-02220	1	48
160260-76520	6	14
160260-76530	6	15
160260-76540	6	16
160260-76550	6	17
160260-76560	6	18

PARTS No. INDEX

PARTS No.	Fig.	Ref.No.
160260-76570	6	20
160260-76580	6	21
160260-76590	6	22
160260-76600	6	23
160260-76630	6	26
160290-76570	6	19
160310-14550	4	72
160642-21150	4	73
160642-21250	4	75
160710-78710	9	24
160725-78350	5	45
160970-77350	9	29
183250-07230	10	6
183250-66050	5	53
183250-66070	5	51
183250-66100	5	52
183250-66500	5	50
183350-77400	9	28
714250-53101	7	22
714250-61500	5	20
714250-61501	5	20 -1
714270-11660	2	23
714278-21710	4	12
714288-21700	4	10
714288-21730	4	11
714299-14580	4	1
714299-55300	8	1
714299-61700	5	27
714299-92610	10	9
714770-14670	4	2
714770-22501	4	31
714770-22541	4	50
714770-22551	4	58
714770-22581	4	55
714770-22621	4	47
714770-22721	4	28
714770-23600	4	42
714770-23610	4	62
714770-23620	4	64
714770-28511	4	66
714770-51100	7	1
71477G-23700	4	39
714780-22581	4	54
714780-22621	4	46
714780-22721	4	27
714788-51100	7	2
X2114274200	9	18
X2114715500	9	4
X2114811000	9	3
X211485016	9	11

PARTS No.	Fig.	Ref.No.
-----------	------	---------

PARTS No.	Fig.	Ref.No.
-----------	------	---------

PARTS No.	Fig.	Ref.No.
-----------	------	---------