



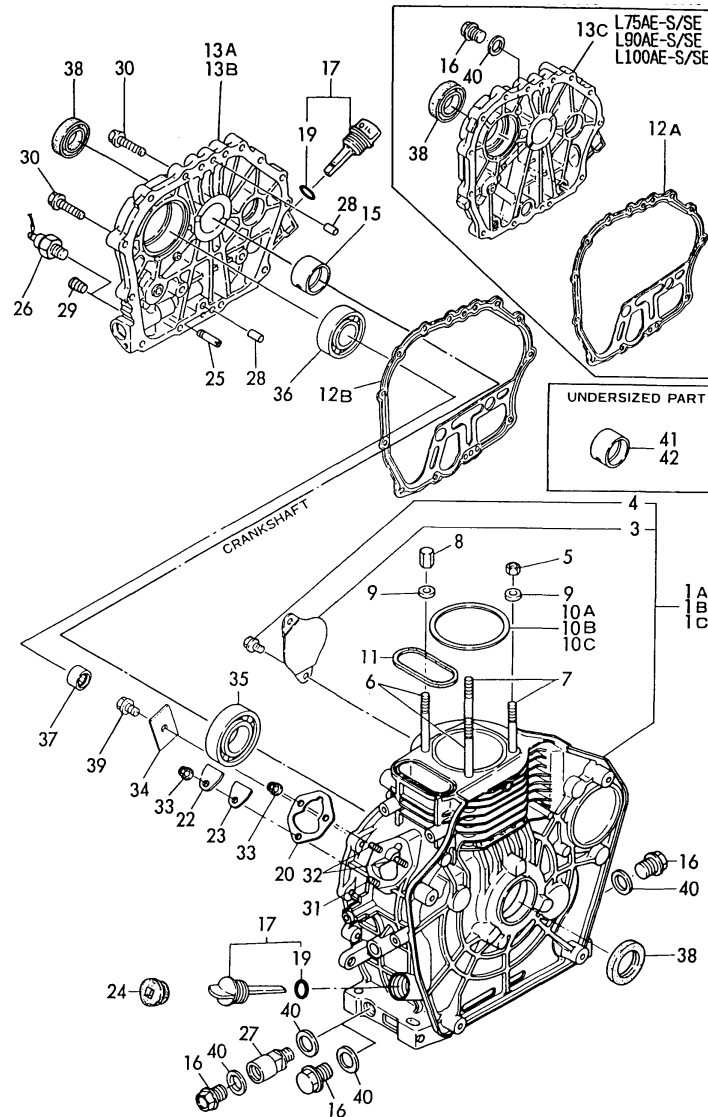
PARTS CATALOG

Published 2011/7 (Jul.)
0CR10-G55100

L100AE

Fig.29.CYLINDER BLOCK

Fig. **29** CYLINDER BLOCK



Remarks
 (Y) FOR L75AE/90AE-DGMO/DEGMO
 (H) FOR L90AE-DEPAC
 (#) UNDERSIZED PARTS
 (%) FOR L75AE/90AE/100AE-D(E)P

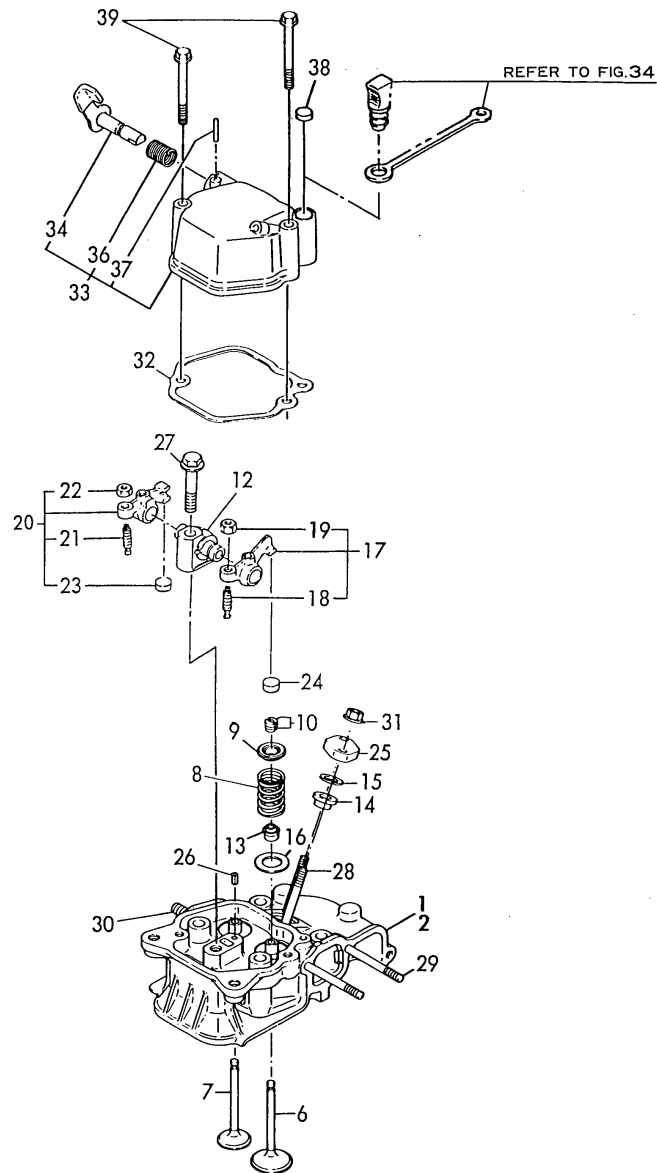
(A)=L75AE-D/DE (D)=L75AE-S/SE
 (B)=L90AE-D/DE (E)=L90AE-S/SE
 (C)=L100AE-D/DE (F)=L100AE-S/SE

REF.	LEV.	PARTS NO.	DESCRIPTION	QTY						I	R
				(A)	(B)	(C)	(D)	(E)	(F)		
1A	1	714571-01560	BLOCK ASSY, CYLINDER	1			1				
1B	1	714671-01560	BLOCK ASSY, CYLINDER		1			1			
1C	1	714970-01560	BLOCK ASSY, CYLINDER			1				1	
3	2	114350-01700	COVER, STARTER	1	1	1	1	1	1	1	
4	2	26106-100122	BOLT M10X 12 PLATED	2	2	2	2	2	2	2	
5	1	105025-01220	NUT 10	2	2	2	2	2	2	2	
6	1	114650-01230	STUD, CYL. HEAD	2	2	2	2	2	2	2	
7	1	114650-01240	STUD, CYL. HEAD	2	2	2	2	2	2	2	
8	1	114650-01250	NUT 10	2	2	2	2	2	2	2	
9	1	114650-01260	WASHER	4	4	4	4	4	4	4	
10A	1	114550-01340	GASKET, CYL. HEAD	1			1				
10B	1	114650-01340	GASKET, CYL. HEAD		1				1		
10C	1	114970-01340	GASKET, CYL. HEAD			1				1	
11	1	114650-01380	O-RING	1	1	1	1	1	1	1	
12A	1	114650-01411	GASKET, CRANK CASE					1	1	1	
12B	1	114650-01412	GASKET, CRANK CASE	1	1	1					
13A	1	114660-01470	COVER (D),CRANK CASE	1	1	1					
13B	1	114554-01451	COVER(DP), CRANKCASE	1	1	1					%
13C	1	114650-01452	COVER (S),CRANK CASE					1	1	1	
15	2	114650-02100	BEARING, MAIN	1	1	1	1	1	1	1	
16	1	105425-01690	PLUG M16	2	2	2	2	2	2	2	
17	1	160910-01740	CAP, W/LUB.OIL GAUGE	2	2	2	2	2	2	2	
19	2	24311-000180	O-RING 1A P-18.0	2	2	2	2	2	2	2	
20	1	114250-01800	SHIM SET	1	1	1	1	1	1	1	
22	1	114250-01830	COVER, INSPEC.WINDOW	1	1	1	1	1	1	1	
23	1	114250-01840	GASKET	1	1	1	1	1	1	1	
24	1	160110-01870	PLUG, RUBBER W/SCREW	1	1	1	1	1	1	1	
25	1	114250-35150	PIPE, L.O. INLET	1	1	1					
26	1	183250-39450	SENDER, OIL PRESSURE	1	1						Y
27	1	183279-08350	NIPPLE, DRAIN		1						H
28	1	22312-080120	PARALLEL PIN 8X12	2	2	2	2	2	2	2	
29	1	23871-010000	PLUG PT1/8,SCREW	1	1	1	1	1	1	1	
30	1	26106-080352	BOLT M 8X 35 PLATED	16	16	16	16	16	16	16	
31	1	26226-060182	STUD M 6X 18 PLATED	1	1	1	1	1	1	1	
32	1	26226-060222	STUD M 6X 22 PLATED	2	2	2	2	2	2	2	
33	1	26366-060002	NUT M 6	3	3	3	3	3	3	3	
34	1	114250-02030	RETAINER, BEARING	1	1	1	1	1	1	1	
35	1	114650-02150	BALL BEARING	1	1	1	1	1	1	1	
36	1	24101-062070	BALL BEARING	1	1	1	1	1	1	1	
37	1	24162-152112	NEEDLE BEARING	1	1	1	1	1	1	1	
38	1	24423-355008	SEAL, OIL	2	2	2	2	2	2	2	
39	1	26106-080122	BOLT M 8X 12 PLATED	1	1	1	1	1	1	1	
40	1	43400-500490	SEAL WASHER 16	2	2	2	2	2	2	2	
41	1	114650-02200	MAIN BEARING US=0.25	1	1	1	1	1	1	1	#
42	1	114650-02210	MAIN BEARING US=0.50	1	1	1	1	1	1	1	#

(A)=L75AE-D/DE (D)=L75AE-S/SE
 (B)=L90AE-D/DE (E)=L90AE-S/SE
 (C)=L100AE-D/DE (F)=L100AE-S/SE

Fig.30.CYLINDER HEAD & BONNET

Fig. **30** CYLINDER HEAD & BONNET



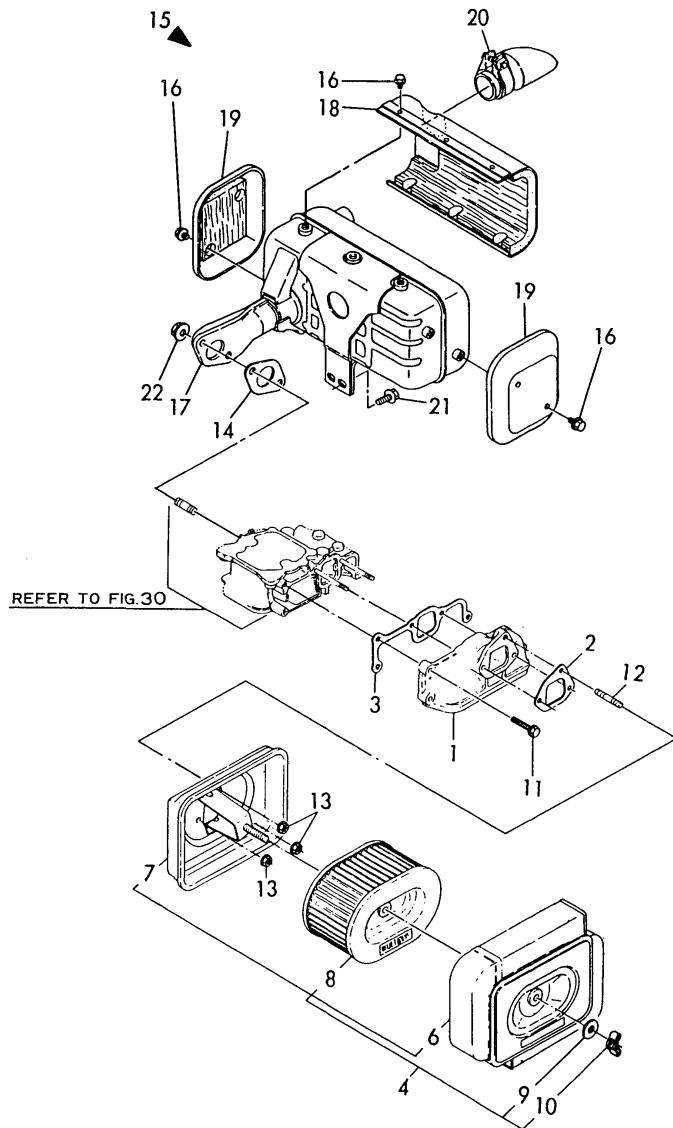
REF.	LEV.	PARTS NO.	DESCRIPTION	QTY						I	R
				(A)	(B)	(C)	(D)	(E)	(F)		
1	1	114550-11010	HEAD ASSY, CYLINDER	1			1				
2	1	114650-11010	HEAD ASSY, CYLINDER		1	1		1	1		
6	1	114650-11100	VALVE, SUCTION	1	1	1	1	1	1	1	
7	1	114654-11110	VALVE, EXHAUST	1	1	1	1	1	1	1	
8	1	114650-11121	SPRING, VALVE	2	2	2	2	2	2	2	
9	1	119620-11180	RETAINER, SPRING	2	2	2	2	2	2	2	
10	1	27310-070001	COTTER ASSY	2	2	2	2	2	2	2	
12	1	114650-11261	SUPPORT, ROCKER ARM	1	1	1	1	1	1	1	
13	1	114650-11340	SEAL, VALVE STEM	2	2	2	2	2	2	2	
14	1	114250-11460	GASKET, NOZZLE	1	1	1	1	1	1	1	
15	1	114350-11470	SPACER, NOZZLE	1	1	1	1	1	1	1	
16	1	114650-11600	WASHER	2	2	2	2	2	2	2	
17	1	114650-11652	ARM ASSY, INTAKE	1	1	1	1	1	1	1	
18	2	114250-11240	SCREW, VALVE ADJUST.	1	1	1	1	1	1	1	
19	2	26756-060002	LOCK NUT 6	1	1	1	1	1	1	1	
20	1	714670-11660	ARM ASSY, EXHAUST	1	1	1	1	1	1	1	
21	3	114250-11240	SCREW, VALVE ADJUST.	1	1	1	1	1	1	1	
22	3	26756-060002	LOCK NUT 6	1	1	1	1	1	1	1	
23	2	104211-11370	CAP, VALVE	1	1	1	1	1	1	1	
24	1	104211-11370	CAP, VALVE	1	1	1	1	1	1	1	
25	1	114250-11900	RETAINER, NOZZLE	1	1	1	1	1	1	1	
26	1	22351-040008	SPRING PIN 4X 8	1	1	1	1	1	1	1	
27	1	26106-100552	BOLT M10X 55 PLATED	1	1	1	1	1	1	1	
28	1	26226-060502	STUD M 6X 50	2	2	2	2	2	2	2	
29	1	26226-060752	STUD M 6X 75	2	2	2	2	2	2	2	
30	1	26226-080202	STUD M 8X 20 PLATED	2	2	2	2	2	2	2	
31	1	26366-060002	NUT M 6	2	2	2	2	2	2	2	
32	1	114650-11310	GASKET, BONNET	1	1	1	1	1	1	1	
33	1	114650-11950	BONNET ASSY, HEAD	1	1	1	1	1	1	1	
I 33-1	1	114650-11951	BONNET ASSY, HEAD	1			1	1	1	1	N
		(A=X)									
34	2	114250-03591	SHAFT ASSY, DECOMP.	1	1	1	1	1	1	1	
36	2	114250-03640	SPRING	1	1	1	1	1	1	1	
37	2	22312-030160	PARALLEL PIN 3X16	1	1	1	1	1	1	1	
38	1	129100-61850	PLUG 12,BORE	1	1	1					Y
39	1	26106-060702	BOLT M 6X 70 PLATED	2	2	2	2	2	2	2	

Remarks
 (Y) FOR L75AE/90AE/100AE-D(E)P

Fig.31.AIR CLEANER & MUFFLER

(A)=L75AE-D/DE (D)=L75AE-S/SE
 (B)=L90AE-D/DE (E)=L90AE-S/SE
 (C)=L100AE-D/DE (F)=L100AE-S/SE

Fig. **31** AIR CLEANER & MUFFLER



REF.	LEV.	PARTS NO.	DESCRIPTION	QTY						I	R
				(A)	(B)	(C)	(D)	(E)	(F)		
1	1	114650-12020	PIPE, AIR INTAKE	1	1	1	1	1	1		
2	1	114650-12210	GASKET, AIR CLEANER	1	1	1	1	1	1		
3	1	114650-12300	GASKET, AIR INTAKE	1	1	1	1	1	1		
4	1	714650-12560	CLEANER ASSY, AIR	1	1	1	1	1	1		
6	3	114650-12520	COVER, AIR CLEANER	1	1	1	1	1	1		
7	3	114650-12530	CASE, AIR CLEANER	1	1	1	1	1	1		
8	3	114650-12590	ELEMENT W/PRE-FILTER	1	1	1	1	1	1		
9	3	114252-12560	WASHER M 8, SEAL	1	1	1	1	1	1		
10	2	114252-12550	WING-NUT, M 8	1	1	1	1	1	1		
11	1	26106-060252	BOLT M 6X 25 PLATED	3	3	3	3	3	3		
12	1	26226-060142	STUD M 6X 14 PLATED	1	1	1	1	1	1		
13	1	26366-060002	NUT M 6	3	3	3	3	3	3		
14	1	114650-13200	GASKET, MUFFLER	1	1	1	1	1	1		
15	1	114970-13550	MUFFLER ASSY	1	1	1	1	1	1		
16	2	160260-01580	BOLT M 6X 6	10	10	10	10	10	10		
17	2	114970-13560	MUFFLER	1	1	1	1	1	1		
18	2	114970-13700	COVER(A), MUFFLER	1	1	1	1	1	1		
19	2	114970-13710	COVER, MUFFLER	2	2	2	2	2	2		
20	1	114658-13800	EXTENSION, EXH.	1	1	1	1	1	1		#
21	1	26106-080162	BOLT M 8X 16 PLATED	2	2	2	2	2	2		
22	1	26366-080002	NUT M 8	2	2	2	2	2	2		

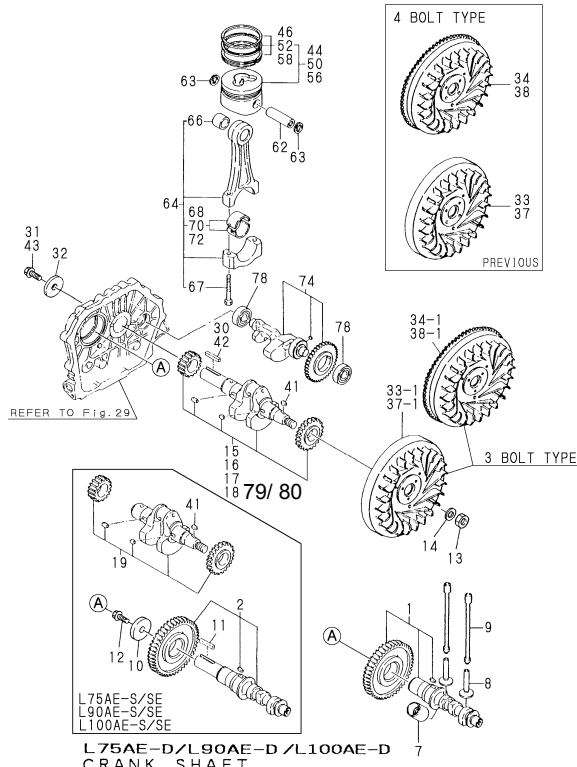
Remarks
 (#) L75AE/90AE/100AE-D(E)TM/S(E)TM
 & L75AE/L90AE-D(E)GMO

(A)=L75AE-D/DE (D)=L75AE-S/SE
 (B)=L90AE-D/DE (E)=L90AE-S/SE
 (C)=L100AE-D/DE (F)=L100AE-S/SE

Fig.32.CAM/CRANK SHAFT & PISTON/ROD

P/C NEWS No:Y00R3981-2
 PUBLISHED:2002/11

Fig.32 CRANKSHAFT, PISTON & CAMSHAFT



L75AE-D/L90AE-D/L100AE-D
 CRANK SHAFT

Ref. No.	MAGNIFIED AXIAL END	SCREW SIZE	KEY SIZE	Ref. No.	MAGNIFIED AXIAL END	SCREW SIZE
15		5/16-24UNF	6.3x50	17		5/16-24UNF
16		M8x1.25	7x14	18		1"-14UNF

Remarks

- (1)FOR L75AE/90AE/100AE-D/DE, L75AE/90AE/100AE-D(E)TM.
- (2)FOR L90AE-DEPAC.
- (3)FOR L75AE/90AE-D(E)GMO.
- (4)FOR L75AE/90AE/100AE-D(E)P.
- (5)INTERCHANGEABLE BY SIMULTANEOUS REPLACEMENT WITH FIG.34 NO.17-1.
- (6)INTERCHANGEABLE BY SIMULTANEOUS REPLACEMENT WITH FIG.34 NO.40-1 & 60-2.
- (7)OVER SIZED & UNDER SIZED PARTS.

REF.	LEV.	PARTS NO.	DESCRIPTION	QTY						I	R
				(A)	(B)	(C)	(D)	(E)	(F)		
1	1	714689-14580	CAMSHAFT(D) ASSY	1	1	1					
2	1	714679-14580	CAMSHAFT(S) ASSY				1	1	1		
7	1	114650-14200	TAPPET	2	2	2	2	2	2		
8	1	114250-14260	TAPPET, FUEL	1	1	1	1	1	1		
9	1	114650-14401	ROD, PUSH	2	2	2	2	2	2		
10	1	145610-83880	RETAINER				1	1	1		
11	1	22512-070360	KEY 7X 36				1	1	1		
12	1	26106-100252	BOLT M10X 25 PLATED				1	1	1		
13	1	122710-01220	NUT M18	1	1	1	1	1	1		
14	1	114650-21551	WASHER, FLYWHEEL	1	1	1	1	1	1		
15	1	714689-21700	CRANKSHAFT ASSY(D/DE 25,4mm /1	1	1	1					1
16	1	714689-21720	CRANKSHAFT ASY(EDPAC			1					2
17	1	714689-21730	CRANKSHAFT ASSY(DGMO	1	1						3
18	1	714689-21760	CRANKSHAFT ASSY(DP)	1	1	1					4
19	1	714679-21710	CRANKSHAFT ASSY(S/SE				1	1	1		
30	1	160842-21150	KEY 6.3X50	1	1	1					
31	1	160842-21250	BOLT 7/16-20UNF	1	1	1					
32	1	160842-21260	WASHER	1	1	1					
33	1	114660-21401	FLYWHEEL(D)	1	1	1					
I 33-1	1	114660-21402	FLYWHEEL(D)	1	1	1					S 5
		(A=*1999.09)	(B=*1999.09)	(C=*1999.09)							
34	1	114662-21592	FLYWHEEL W/RING GEAR	1	1	1					
I 34-1	1	114662-21593	FLYWHEEL W/RING GEAR	1	1	1					S 5
		(A=*1999.09)	(B=*1999.09)	(C=*1999.09)							
37	1	114650-21401	FLYWHEEL(S)				1	1	1		
I 37-1	1	114650-21402	FLYWHEEL(S)				1	1	1		S 6
				(D=*1999.09)	(E=*1999.09)	(F=*1999.09)					
38	1	114651-21592	FLYWHEEL W/RING GEAR				1	1	1		
I 38-1	1	114651-21593	FLYWHEEL W/RING GEAR				1	1	1		S 6
				(D=*1999.09)	(E=*1999.09)	(F=*1999.09)					
41	1	22512-050140	KEY 5X 14	1	1	1	1	1	1		
42	1	22512-070140	KEY 7X 14			1					2
43	1	26106-080202	BOLT M 8X 20 PLATED			1					2
44	1	714560-22723	PISTON W/RINGS	1							
44A	1	714660-22723	PISTON W/RINGS		1						
44B	1	714980-22720	PISTON W/RINGS			1					
44C	1	714550-22723	PISTON W/RINGS				1				
44D	1	714650-22723	PISTON W/RINGS					1			
44E	1	714970-22720	PISTON W/RINGS							1	
46	2	714550-22502	RING SET, PISTON	1			1				
46A	2	714650-22502	RING SET, PISTON		1			1			
46B	2	714970-22500	RING SET, PISTON			1				1	
50	1	714560-22624	PISTON W/RING OS=.25	1							7
50A	1	714660-22624	PISTON W/RING OS=.25		1						7
50B	1	714980-22620	PISTON W/RING OS=.25			1					7
50C	1	714550-22624	PISTON W/RING OS=.25				1				7
50D	1	714650-22624	PISTON W/RING OS=.25					1			7
50E	1	714970-22620	PISTON W/RING OS=.25						1		7
52	2	714550-22542	RING SET O.S=0.25	1			1				7
52A	2	714650-22542	RING SET O.S=0.25		1			1			7
52B	2	714970-22540	RING SET O.S=0.25			1			1		7
56	1	714560-22580	PISTON W/RING OS=0.5	1							7
56A	1	714660-22580	PISTON W/RING OS=0.5		1						7
56B	1	714980-22580	PISTON W/RING OS=0.5			1					7

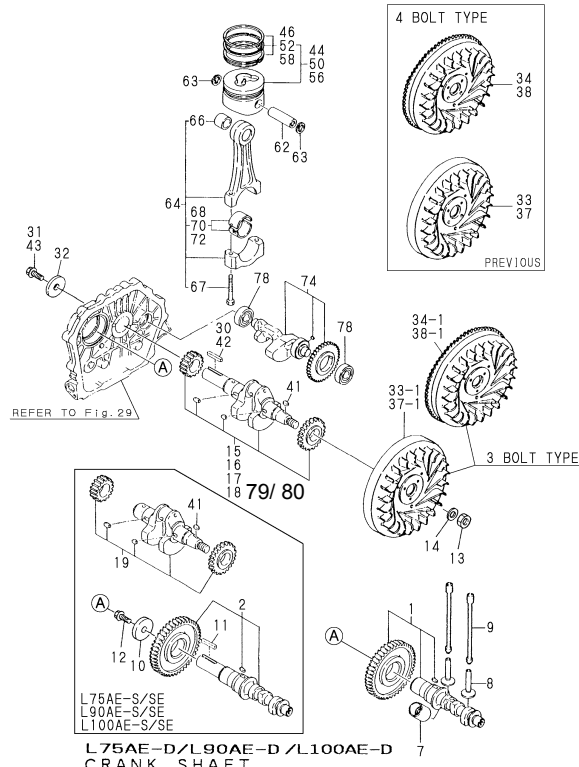
++ CONTINUE ++

(A)=L75AE-D/DE (D)=L75AE-S/SE
 (B)=L90AE-D/DE (E)=L90AE-S/SE
 (C)=L100AE-D/DE (F)=L100AE-S/SE

Fig.32.CAM/CRANK SHAFT & PISTON/ROD

P/C NEWS No:Y00R3981-2
 PUBLISHED:2002/11

Fig.32 CRANKSHAFT, PISTON & CAMSHAFT



L75AE-D/L90AE-D/L100AE-D
CRANK SHAFT

Ref. No.	MAGNIFIED AXIAL END	SCREW SIZE	KEY SIZE	Ref. No.	MAGNIFIED AXIAL END	SCREW SIZE
15		5/16-24UNF	6.3x50	17		5/16-24UNF
16		M8x1.25	7x14	18		1"-14UNF

REF.	LEV.	PARTS NO.	DESCRIPTION	QTY						I	R
				(A)	(B)	(C)	(D)	(E)	(F)		
56C	1	714550-22580	PISTON W/RING OS=0.5				1				7
56D	1	714650-22580	PISTON W/RING OS=0.5					1			7
56E	1	714970-22580	PISTON W/RING OS=0.5							1	7
58	2	714550-22550	RING SET O.S=0.50	1			1				7
58A	2	714650-22550	RING SET O.S=0.50		1			1			7
58B	2	714970-22550	RING SET O.S=0.50			1			1		7
62	1	114650-22300	PIN, PISTON	1	1	1	1	1	1	1	
63	1	129792-22400	CIRCLIP 23	2	2	2	2	2	2	2	
64	1	714650-23700	ROD ASSY, CONNECTING	1	1	1	1	1	1	1	
66	2	124060-23100	BUSH, PISTON PIN	1	1	1	1	1	1	1	
67	2	104200-23201	BOLT, ROD	2	2	2	2	2	2	2	
68	2	714650-23600	BEARING, CRANKPIN	1	1	1	1	1	1	1	
70	1	714650-23610	BEARING,PIN(U.S=0.25	1	1	1	1	1	1	1	7
72	1	714650-23620	BEARING,PIN(U.S=0.50	1	1	1	1	1	1	1	7
74	1	714689-28510	SHAFT ASSY, BALANCER	1	1	1	1	1	1	1	
78	1	24101-062034	BALL BEARING	2	2	2	2	2	2	2	
79	1	714488-21730	crankshaft -DEI	1	1	1					
80	1	714660-21710	crankshaft -D F-a-13 25.0mm	1	1	1					

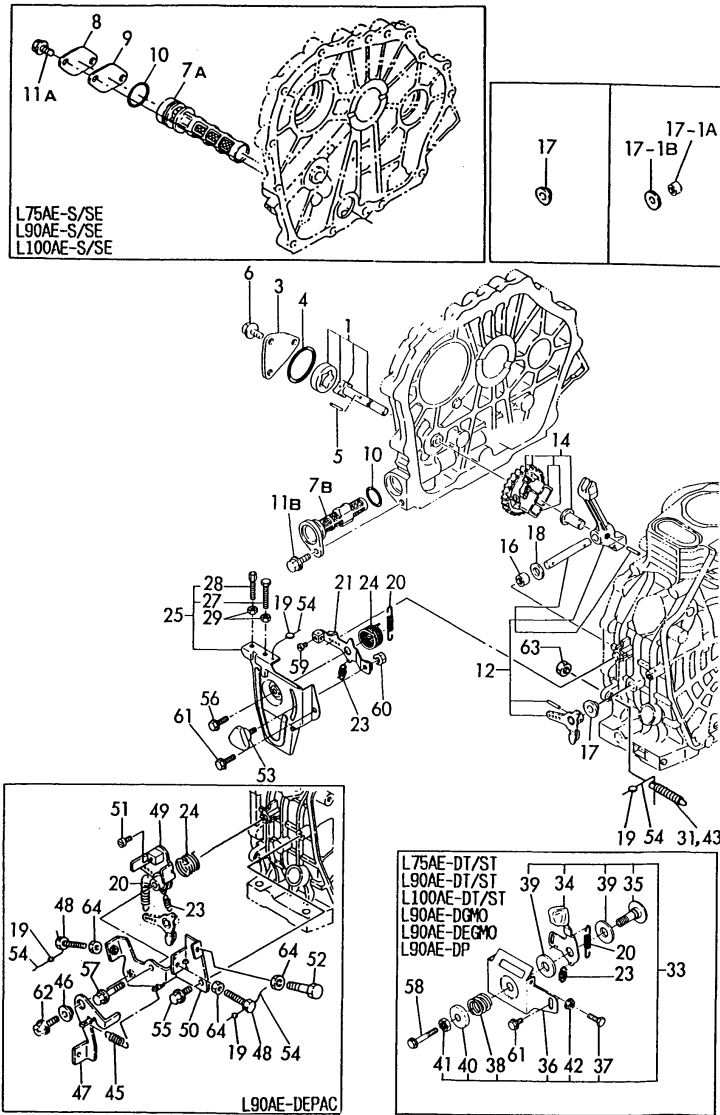
Remarks

- (1)FOR L75AE/90AE/100AE-D/DE, L75AE/90AE/100AE-D(E)TM.
- (2)FOR L90AE-DEPAC.
- (3)FOR L75AE/90AE-D(E)GMO.
- (4)FOR L75AE/90AE/100AE-D(E)P.
- (5)INTERCHANGEABLE BY SIMULTANEOUS REPLACEMENT WITH FIG.34 NO.17-1.
- (6)INTERCHANGEABLE BY SIMULTANEOUS REPLACEMENT WITH FIG.34 NO.40-1 & 60-2.
- (7)OVER SIZED & UNDER SIZED PARTS.

(A)=L75AE-D/DE (D)=L75AE-S/SE
 (B)=L90AE-D/DE (E)=L90AE-S/SE
 (C)=L100AE-D/DE (F)=L100AE-S/SE

Fig.33.L.O. DEVICE & GOVERNOR CONTROL

Fig. **33** LUB. OIL PUMP & GOVERNOR



Remarks
 (Y) FOR L75AE/90AE-D(E)GMO &
 L75AE/90AE/100AE-D(E)P
 (#) FOR L75AE/90AE-D(E)GMO
 (H) FOR L90AE-DEPAC

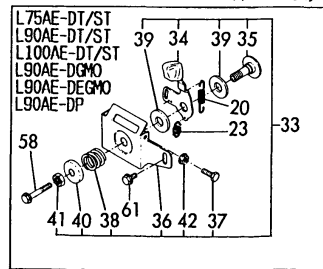
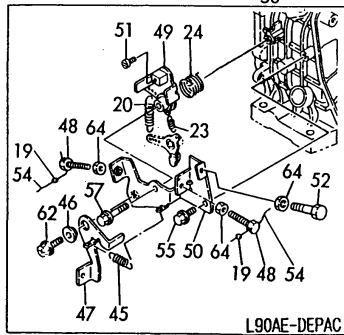
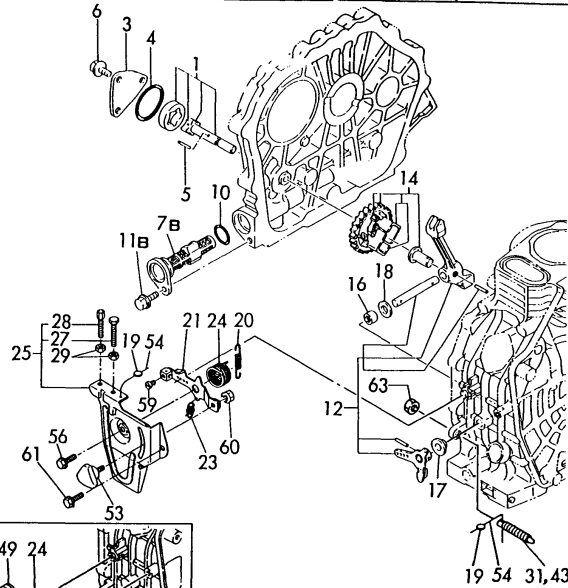
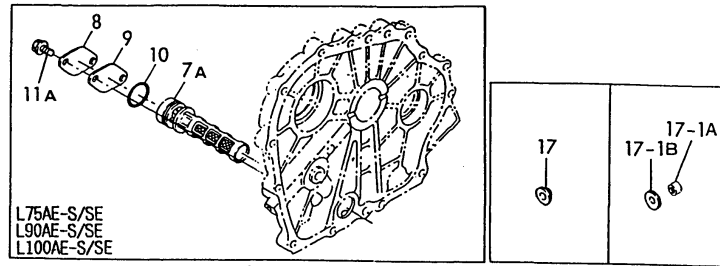
REF.	LEV.	PARTS NO.	DESCRIPTION	QTY						I	R
				(A)	(B)	(C)	(D)	(E)	(F)		
1	1	114650-32010	PUMP ASSY, LUB.OIL	1	1	1	1	1	1		
3	1	114250-32070	COVER, LUB. OIL PUMP	1	1	1	1	1	1		
4	1	103338-32570	O-RING	1	1	1	1	1	1		
5	1	22312-030160	PARALLEL PIN 3X16	1	1	1	1	1	1		
6	1	26476-060142	BOLT M 6X 14,TAPPING	3	3	3	3	3	3		
7A	1	114250-35060	STRAINER, LUB. OIL				1	1	1		
7B	1	114250-35070	STRAINER, LUB. OIL	1	1	1					
8	1	114250-35250	COVER				1	1	1		
9	1	114250-35270	GASKET, L.O.STRAINER				1	1	1		
10	1	24341-000224	O-RING 1A S-22.4	1	1	1	1	1	1		
11A	1	26106-060122	BOLT M 6X 12 PLATED					2	2	2	
11B	1	26106-060162	BOLT M 6X 16 PLATED	1	1	1					
12	1	714650-61500	LEVER ASSY, GOVERNOR	1	1	1	1	1	1		
14	1	714970-61700	GOVERNOR ASSY	1	1	1	1	1	1		
16	1	121450-61520	NEEDLE BEARING FJ810	2	2	2	2	2	2		
17	1	114250-61900	BUSH, THRUST	1	1	1	1	1	1		
17-1A	1	114770-61600	SEAL, OIL	1							F
(A=X)											
17-1B	1	114770-61610	WASHER, THRUST	1							F
(A=X)											
18	1	22137-080000	WASHER 8, POLISHED	1	1	1	1	1	1		
19	1	135210-61090	LEAD	2	2	2	2	2	2		
20	1	114970-66010	SPRING, REGULATOR	1	1	1	1	1	1		
21	1	114250-66050	HANDLE, REGULATOR	1	1	1	1	1	1		
23	1	114250-66200	SPRING, RETURN	1	1	1	1	1	1		
24	1	114252-66252	SPRING, RETURN	1	1	1	1	1	1		
25	1	714268-66500	BRACKET ASSY,REGULAT	1	1	1	1	1	1		
27	3	114250-66440	BOLT, ADJUSTING	1	1	1	1	1	1		
28	3	102100-67080	BOLT, ADJUSTING	1	1	1	1	1	1		
29	2	26757-060002	LOCK NUT M 6 PLATED	2	2	2	2	2	2		
31	1	114650-66500	TORQUE SPRING ASSY	1	1	1	1	1	1		
33	1	183250-66500	BRACKET ASSY,REGULAT	1	1	1					Y
34	2	183250-66050	HANDLE, REGULATOR	1	1	1					Y
35	2	183250-66070	SHAFT, HANDLE	1	1	1					Y
36	2	183250-66100	BRACKET, REGULATOR	1	1	1					Y
37	2	114250-66440	BOLT, ADJUSTING	1	1	1					Y
38	2	104200-66820	SPRING	1	1	1					Y
39	2	104200-66830	PLATE, FRICTION	2	2	2					Y
40	2	104200-66850	WASHER (B)	1	1	1					Y
41	2	26696-100002	NUT M10	1	1	1					Y
42	2	26757-060002	LOCK NUT M 6 PLATED	1	1	1					Y
43	1	114650-66600	TORQUE SPRING ASSY	1	1						#
45	1	114268-66200	SPRING, RETURN		1						H
46	1	114654-66140	PIECE		1						H
47	1	114650-66150	LEVER, STOP		1						H
48	1	114250-66440	BOLT, ADJUSTING		2						H
49	1	114652-66871	LEVER, REGULATOR		1						H
50	1	114652-66881	BLACKET,LEVER		1						H
51	1	105225-66990	SCREW		1						H
52	1	102100-67080	BOLT, ADJUSTING								H
53	1	160725-78350	KNOB (W/M6X15)	1	1	1	1	1	1		
54	1	22451-060000	WIRE 0.6	2	2	2	2	2	2		
55	1	26106-060122	BOLT M 6X 12 PLATED		1						H
56	1	26106-060202	BOLT M 6X 20 PLATED	1	1	1	1	1	1		

++ CONTINUE ++

Fig.33.L.O. DEVICE & GOVERNOR CONTROL

(A)=L75AE-D/DE (D)=L75AE-S/SE
 (B)=L90AE-D/DE (E)=L90AE-S/SE
 (C)=L100AE-D/DE (F)=L100AE-S/SE

Fig. **33** LUB. OIL PUMP & GOVERNOR



REF.	LEV.	PARTS NO.	DESCRIPTION	QTY						I	R
				(A)	(B)	(C)	(D)	(E)	(F)		
57	1	26106-060302	BOLT M 6X 30 PLATED		1						H
58	1	26106-060452	BOLT M 6X 45 PLATED	1	1	1					Y
59	1	26116-040088	BOLT M 4X 8 PLATED	1	1	1	1	1	1		
60	1	26346-060002	U-NUT M 6 PLATED	1	1	1	1	1	1		
61	1	26476-060142	BOLT M 6X 14,TAPPING	1	1	1	1	1	1		
62	1	26476-060202	BOLT M 6X 20,TAPPING		1	1					
63	1	26696-100002	NUT M10	1	1	1	1	1	1		
64	1	26757-060002	LOCK NUT M 6 PLATED	2	3	3	2	2	2		

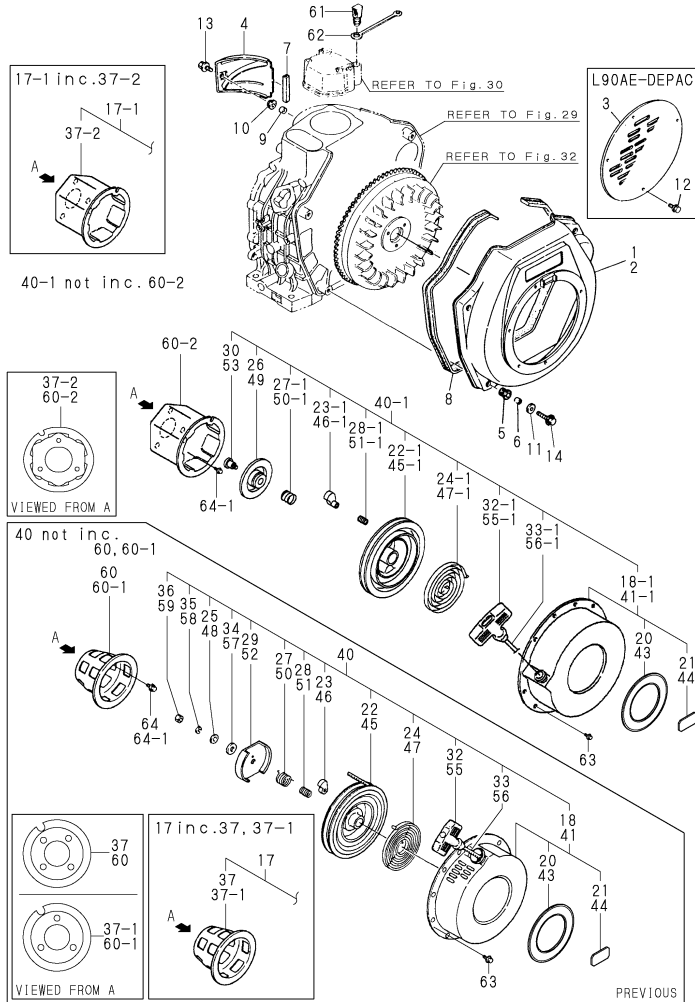
Remarks
 (Y) FOR L75AE/90AE-D(E)GMO &
 L75AE/90AE/100AE-D(E)P
 (#) FOR L75AE/90AE-D(E)GMO
 (H) FOR L90AE-DEPAC

Fig.34.COOLING & RECOIL STARTER

(A)=L75AE-D/DE (D)=L75AE-S/SE
 (B)=L90AE-D/DE (E)=L90AE-S/SE
 (C)=L100AE-D/DE (F)=L100AE-S/SE

P/C NEWS No:Y00R3981-2
 PUBLISHED:2002/11

Fig.34 COOLING & STARTING DEVICE



Remarks
 (1)FOR L90AE-DEPAC.
 (2)INTERCHANGEABLE BY SIMULTANEOUS REPLACEMENT WITH FIG.32 NO.33-1 OR 34-1.
 (3)INTERCHANGEABLE BY SIMULTANEOUS REPLACEMENT WITH NO.60-2 & FIG.32 NO.37-1 OR 38-1.

REF.	LEV.	PARTS NO.	DESCRIPTION	QTY						I	R
				(A)	(B)	(C)	(D)	(E)	(F)		
1	1	114668-45102	CASE,FAN(SILVER)(17)	1	1	1					
2	1	114658-45102	CASE,FAN(SILVER)(17)				1	1	1		
3	1	114654-45180	COVER, DUST		1						1
4	1	114650-45200	COVER, CYLINDER	1	1	1	1	1	1		
5	1	114250-45300	RUBBER, CUSHION	4	4	4	4	4	4		
6	1	114250-45310	COLLAR	4	4	4	4	4	4		
7	1	114350-45320	RUBBER, SEAL	1	1	1	1	1	1		
8	1	114650-45330	SEAL, FAN CASE	1	1	1	1	1	1		
9	1	114350-45340	COLLAR	1	1	1	1	1	1		
10	1	183720-55210	GROMMET	1	1	1	1	1	1		
11	1	160120-76940	WASHER	4	4	4	4	4	4		
12	1	26106-060082	BOLT M 6X 8 PLATED		4						1
13	1	26476-060202	BOLT M 6X 20,TAPPING	1	1	1	1	1	1		
14	1	26476-060252	BOLT M 6X 25,TAPPING	4	4	4	4	4	4		
I 17	1	714660-76820	RECOIL(D) W/PULLEY	1	1	1					W
I 17-1	(A=FROM 1ST) (A=*2000.06)	(B=FROM 1ST) (B=*2000.06)	(C=FROM 1ST) (C=*2000.06)	1	1	1					F 2
18	2	714660-76831	CASE,STARTER W/LABEL	1	1	1					
I 18-1	2 (A=*2000.06)	714660-76832 (B=*2000.06)	CASE,STARTER W/LABEL (C=*2000.06)	1	1	1					S
20	3	114250-07350	LABEL, YANMAR DIESEL	1	1	1					
21	3	114570-07050	LABEL(L75A)	1	1	1					
21A	3	114670-07050	LABEL(L90A)	1	1	1					
21B	3	114970-07050	LABEL(L100A)	1	1	1					
21C	3	183550-07120	LABEL(L75)	1	1	1					
21D	3	183650-07120	LABEL(L90)	1	1	1					
22	2	114650-76520	REEL, RECOIL	1	1	1					
I 22-1	2 (A=*2000.06)	114880-76520 (B=*2000.06)	REEL, RECOIL (C=*2000.06)	1	1	1					S
23	2	160910-76530	RATCHET	1	1	1					
I 23-1	2 (A=*2000.06)	114870-76530 (B=*2000.06)	RATCHET (C=*2000.06)	2	2	2					S
24	2	114650-76540	SPRING, SPIRAL	1	1	1					
I 24-1	2 (A=*2000.06)	114870-76540 (B=*2000.06)	SPRING, SPIRAL (C=*2000.06)	1	1	1					S
25	2	160910-76550	WASHER, THRUST	1	1	1					
I 26	2 (A=*2000.06)	114880-76550 (B=*2000.06)	GUIDE, RATCHET (C=*2000.06)	1	1	1					W
27	2	160910-76560	SPRING, FRICTION	1	1	1					
I 27-1	2 (A=*2000.06)	114870-76560 (B=*2000.06)	SPRING, FRICTION (C=*2000.06)	1	1	1					S
28	2	160910-76570	SPRING, RETURN	1	1	1					
I 28-1	2 (A=*2000.06)	114870-76570 (B=*2000.06)	SPRING, RETURN (C=*2000.06)	2	2	2					S
29	2	160910-76580	PLATE, FRICTION	1	1	1					
I 30	2 (A=*2000.06)	114870-76580 (B=*2000.06)	SET SCREW (C=*2000.06)	1	1	1					W
32	2	160910-76620	KNOB, STARTER	1	1	1					
I 32-1	2 (A=*2000.06)	114870-76620 (B=*2000.06)	KNOB, STARTER (C=*2000.06)	1	1	1					S
33	2	160910-76630	ROPE, STARTER	1	1	1					
I 33-1	2 (A=*2000.06)	114650-76631 (B=*2000.06)	ROPE, STARTER (C=*2000.06)	1	1	1					S

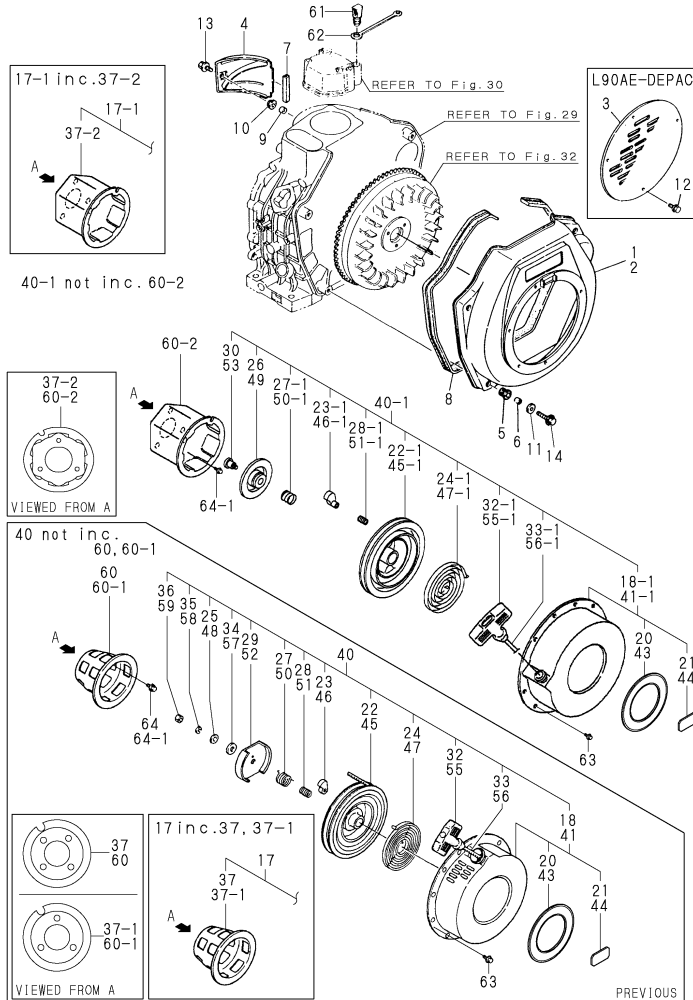
++ CONTINUE ++

(A)=L75AE-D/DE (D)=L75AE-S/SE
 (B)=L90AE-D/DE (E)=L90AE-S/SE
 (C)=L100AE-D/DE (F)=L100AE-S/SE

Fig.34.COOLING & RECOIL STARTER

P/C NEWS No:Y00R3981-2
 PUBLISHED:2002/11

Fig.34 COOLING & STARTING DEVICE



Remarks
 (1)FOR L90AE-DEPAC.
 (2)INTERCHANGEABLE BY SIMULTANEOUS REPLACEMENT WITH FIG.32 NO.33-1 OR 34-1.
 (3)INTERCHANGEABLE BY SIMULTANEOUS REPLACEMENT WITH NO.60-2 & FIG.32 NO.37-1 OR 38-1.

REF.	LEV.	PARTS NO.	DESCRIPTION	QTY						I	R
				(A)	(B)	(C)	(D)	(E)	(F)		
34	2	160910-76650	WASHER (B)	1	1	1					
35	2	22217-060000	SPRING WASHER 6	1	1	1					
36	2	26717-060002	NUT M 6	1	1	1					
37	2	114660-76590	PULLEY, STARTER	1	1	1					
I 37-1	2	114660-76591 (A=*1999.08) (B=*1999.08) (C=*1999.08)	PULLEY, STARTER	1	1	1					S
I 37-2	2	114660-76592 (A=*2000.06) (B=*2000.06) (C=*2000.06)	PULLEY, STARTER	1	1	1					S
I 40	1	714650-76820	RECOIL(S) W/O PULLEY				1	1	1	1	W
I 40-1	1	714650-76821	RECOIL(S) W/O PULLEY (D=FROM 1ST) (E=FROM 1ST) (F=FROM 1ST) (D=*2000.06) (E=*2000.06) (F=*2000.06)				1	1	1	1	F 3
41	2	714650-76831	CASE,STARTER W/LABEL	1	1	1					
I 41-1	2	714650-76832 (D=*2000.06) (E=*2000.06) (F=*2000.06)	CASE,STARTER W/LABEL	1	1	1					S
43	3	114250-07350	LABEL, YANMAR DIESEL	1	1	1					
44	3	114570-07050	LABEL(L75A)	1	1	1					
44A	3	114670-07050	LABEL(L90A)	1	1	1					
44B	3	114970-07050	LABEL(L100A)	1	1	1					
44C	3	183550-07120	LABEL(L75)	1	1	1					
44D	3	183650-07120	LABEL(L90)	1	1	1					
45	2	114650-76520	REEL, RECOIL	1	1	1					
I 45-1	2	114880-76520 (D=*2000.06) (E=*2000.06) (F=*2000.06)	REEL, RECOIL	1	1	1					S
46	2	160910-76530	RATCHET	1	1	1					
I 46-1	2	114870-76530 (D=*2000.06) (E=*2000.06) (F=*2000.06)	RATCHET	2	2	2					S
47	2	114650-76540	SPRING, SPIRAL	1	1	1					
I 47-1	2	114870-76540 (D=*2000.06) (E=*2000.06) (F=*2000.06)	SPRING, SPIRAL	1	1	1					S
48	2	160910-76550	WASHER, THRUST	1	1	1					
I 49	2	114870-76550 (D=*2000.06) (E=*2000.06) (F=*2000.06)	GUIDE, RATCHET	1	1	1					W
50	2	160910-76560	SPRING, FRICTION	1	1	1					
I 50-1	2	114870-76560 (D=*2000.06) (E=*2000.06) (F=*2000.06)	SPRING, FRICTION	1	1	1					S
51	2	160910-76570	SPRING, RETURN	1	1	1					
I 51-1	2	114870-76570 (D=*2000.06) (E=*2000.06) (F=*2000.06)	SPRING, RETURN	2	2	2					S
52	2	160910-76580	PLATE, FRICTION	1	1	1					
I 53	2	114870-76580 (D=*2000.06) (E=*2000.06) (F=*2000.06)	SET SCREW	1	1	1					W
55	2	160910-76620	KNOB, STARTER	1	1	1					
I 55-1	2	114870-76620 (D=*2000.06) (E=*2000.06) (F=*2000.06)	KNOB, STARTER	1	1	1					S
56	2	160910-76630	ROPE, STARTER	1	1	1					
I 56-1	2	114650-76631 (D=*2000.06) (E=*2000.06) (F=*2000.06)	ROPE, STARTER	1	1	1					S
57	2	160910-76650	WASHER (B)	1	1	1					
58	2	22217-060000	SPRING WASHER 6	1	1	1					
59	2	26717-060002	NUT M 6	1	1	1					
60	1	114660-76590	PULLEY, STARTER	1	1	1					
I 60-1	1	114660-76591 (D=*1999.08) (E=*1999.08) (F=*1999.08)	PULLEY, STARTER	1	1	1					S

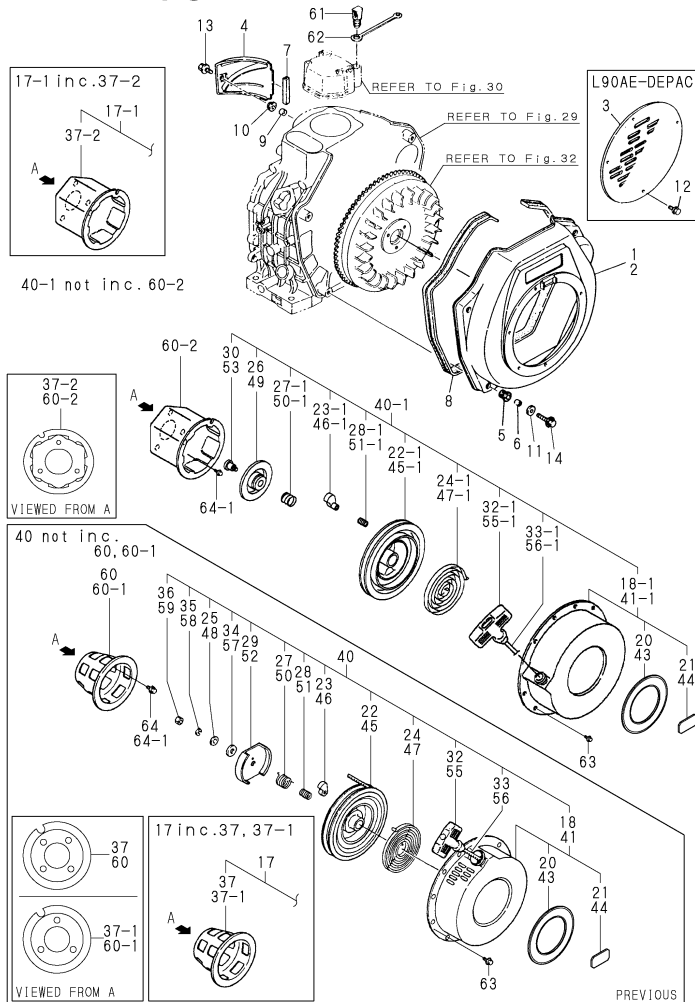
++ CONTINUE ++

Fig.34.COOLING & RECOIL STARTER

(A)=L75AE-D/DE (D)=L75AE-S/SE
 (B)=L90AE-D/DE (E)=L90AE-S/SE
 (C)=L100AE-D/DE (F)=L100AE-S/SE

P/C NEWS No:Y00R3981-2
 PUBLISHED:2002/11

Fig.34 COOLING & STARTING DEVICE

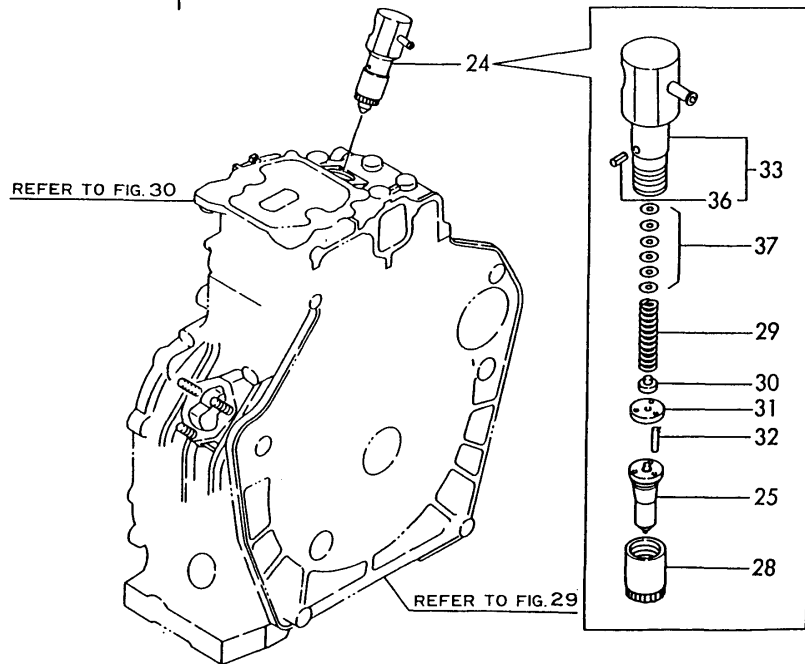
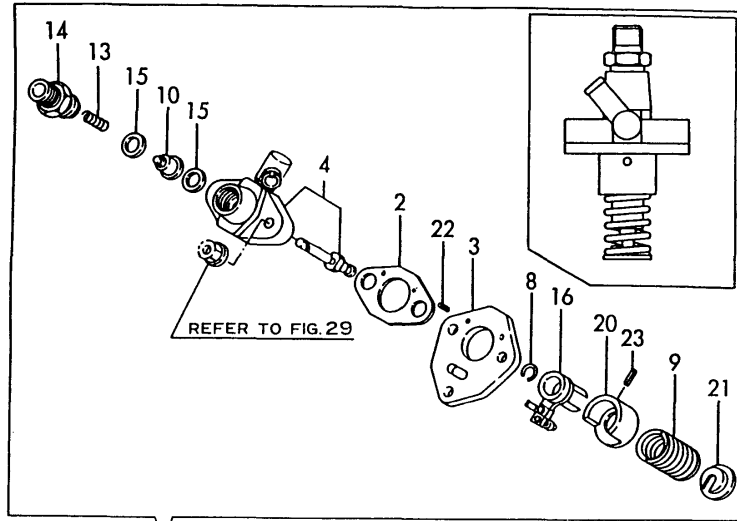


REF.	LEV.	PARTS NO.	DESCRIPTION	QTY						I	R
				(A)	(B)	(C)	(D)	(E)	(F)		
I	60-2	1	114660-76592 PULLEY, STARTER (D=*2000.06)				1	1	1		S
	61	1	114250-76600 PLUNGER (E=*2000.06)	1	1	1	1	1	1		
	62	1	114250-76610 HOLDER, PLUNGER (F=*2000.06)	1	1	1	1	1	1		
	63	1	26106-060082 BOLT M 6X 8 PLATED	4	4	4	4	4	4		
	64	1	26106-060122 BOLT M 6X 12 PLATED	4	4	4	4	4	4		
I	64-1	1	26106-060122 BOLT M 6X 12 PLATED (A=*1999.08) (B=*1999.08) (C=*1999.08) (D=*1999.08)	3	3	3	3	3	3	3	K
				(E=*1999.08)				(F=*1999.08)			

Remarks
 (1)FOR L90AE-DEPAC.
 (2)INTERCHANGEABLE BY SIMULTANEOUS REPLACEMENT WITH FIG.32 NO.33-1 OR 34-1.
 (3)INTERCHANGEABLE BY SIMULTANEOUS REPLACEMENT WITH NO.60-2 & FIG.32 NO.37-1 OR 38-1.

Fig.35.FUEL INJECTION PUMP & VALVE

Fig. **35** FUEL INJECTION PUMP & VALVE



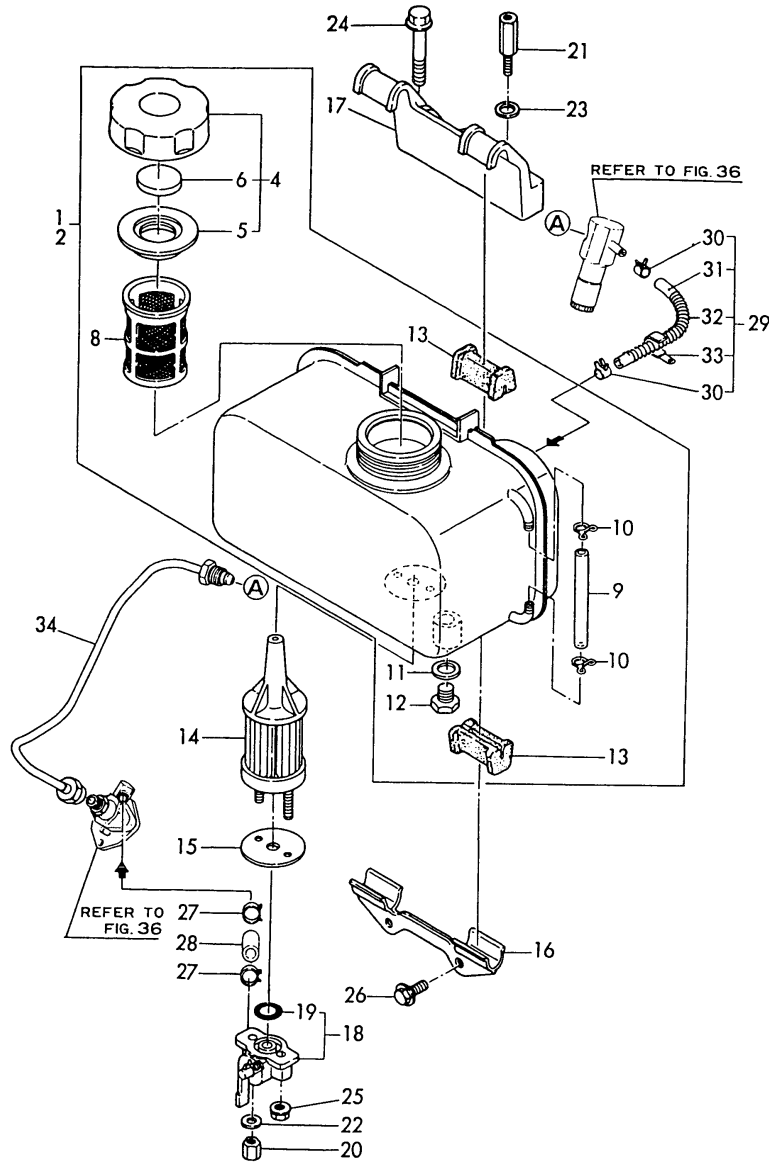
(A)=L75AE-D/DE (D)=L75AE-S/SE
 (B)=L90AE-D/DE (E)=L90AE-S/SE
 (C)=L100AE-D/DE (F)=L100AE-S/SE

REF.	LEV.	PARTS NO.	DESCRIPTION	QTY						I	R
				(A)	(B)	(C)	(E)	(F)			
1A	1	714550-51700	PUMP ASSY, F.INJECT.	1			1				
1B	1	714650-51700	PUMP ASSY, F.INJECT.		1			1			
1C	1	714970-51700	PUMP ASSY, F.INJECT.			1				1	
2	2	105546-51020	GASKET	1	1	1	1	1	1	1	
3	2	114250-51080	PLATE	1	1	1	1	1	1	1	
4A	2	114650-51100	BODY, F.I. PUMP	1	1		1	1			
4B	2	114970-51100	BODY, F. I. PUMP				1			1	
8	2	114250-51150	RING, SNAP	1	1	1	1	1	1	1	
9	2	114250-51160	SPRING	1	1	1	1	1	1	1	
10	2	114650-51300	VALVE ASSY, DELIVERY	1	1	1	1	1	1	1	
13	2	105546-51330	SPRING, DELIV. VALVE	1	1	1	1	1	1	1	
14	2	114250-51340	HOLDER, F.I.P.DELIVE	1	1	1	1	1	1	1	
15	2	124550-51350	GASKET, DELIVERY	2	2	2	2	2	2	2	
16	2	114250-51600	LEVER ASSY, CONTROL	1	1	1	1	1	1	1	
20	2	114250-51640	SEAT (A), SPRING	1	1	1	1	1	1	1	
21	2	114250-51650	SEAT (B), SPRING	1	1	1	1	1	1	1	
22	2	22351-020006	SPRING PIN 2X 6	2	2	2	2	2	2	2	
23	2	22351-030008	SPRING PIN 3X 8	1	1	1	1	1	1	1	
24	1	714650-53100	VALVE ASSY, F.INJECT	1	1	1	1	1	1	1	
25	2	114650-53000	NOZZLE ASSY,F.INJECT	1	1	1	1	1	1	1	
28	2	114250-53080	NUT, NOZZLE CASE	1	1	1	1	1	1	1	
29	2	114250-53120	SPRING, NOZZLE	1	1	1	1	1	1	1	
30	2	114250-53130	SEAT, NOZZLE SPRING	1	1	1	1	1	1	1	
31	2	114250-53140	PLATE, STOP	1	1	1	1	1	1	1	
32	2	114250-53210	PIN	2	2	2	2	2	2	2	
33	2	114650-53300	HOLDER ASSY, NOZZLE	1	1	1	1	1	1	1	
36	3	114250-53331	PIN, SPRING	1	1	1	1	1	1	1	
37	2	114250-53400	SHIM PACK	1	1	1	1	1	1	1	

Fig.37.FUEL TANK & FUEL PIPE

(A)=L75AE-D/DE (D)=L75AE-S/SE
 (B)=L90AE-D/DE (E)=L90AE-S/SE
 (C)=L100AE-D/DE (F)=L100AE-S/SE

Fig.37 FUEL TANK & FUEL LINE

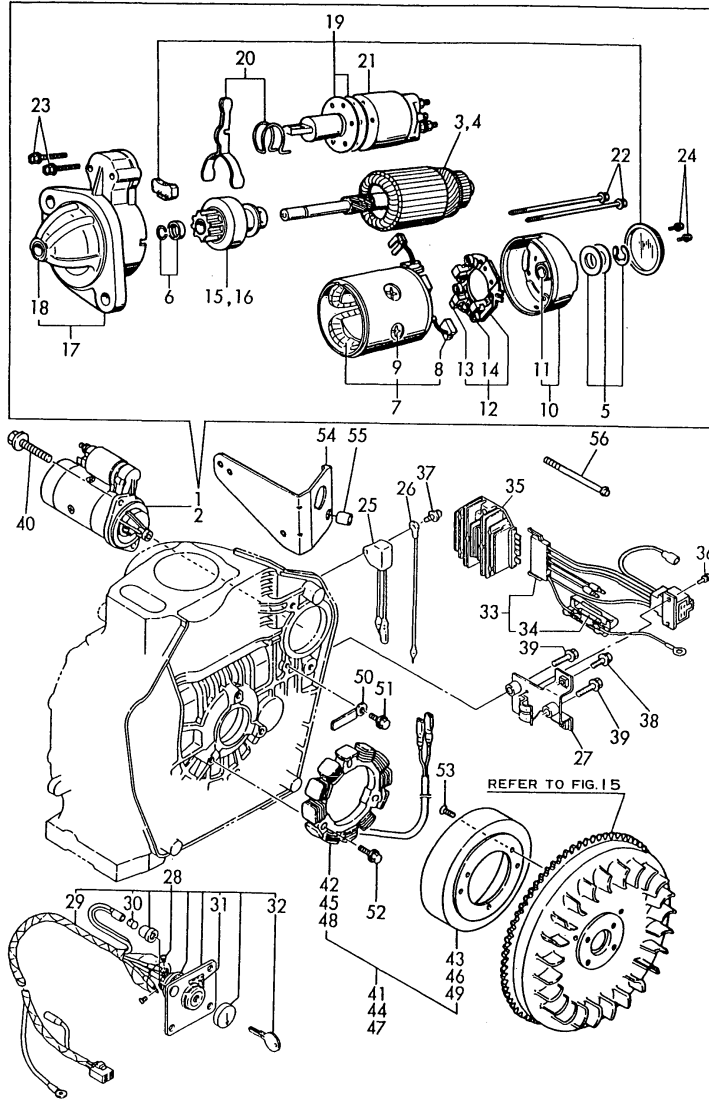


REF.	LEV.	PARTS NO.	DESCRIPTION	QTY						I	R
				(A)	(B)	(C)	(D)	(E)	(F)		
1	1	714569-55701	TANK ASSY, FUEL(D/S)	1	1	1	1	1	1		
2	1	714668-55721	TANK ASSY.FUEL(DGMO)	1	1						H
4	2	114250-55041	CAP, TANK	1	1	1	1	1	1		
5	3	114250-55050	GASKET, TANK CAP	1	1	1	1	1	1		
6	3	114250-55060	SEAL	1	1	1	1	1	1		
8	2	114250-55100	FILTER, FUEL	1	1	1	1	1	1		
9	2	114650-55150	PIPE, GAUGE	1	1	1	1	1	1		
10	2	124722-59050	CLAMP 9	2	2	2	2	2	2		
11	2	23414-120000	GASKET 12, ROUND	1	1	1	1	1	1		
12	2	23887-120002	PLUG 12,HEX.	1	1	1	1	1	1		
13	2	114250-55201	DAMPER, FUEL TANK	4	4	4	4	4	4		
14	1	114650-55120	FILTER, FUEL OIL	1	1	1	1	1	1		
15	1	114250-55130	GASKET	1	1	1	1	1	1		
16	1	114250-55211	STAY (A)	1	1	1	1	1	1		
17	1	114650-55230	STAY (B)	1	1	1	1	1	1		
18	1	114250-55300	COCK ASSY, FUEL	1	1	1	1	1	1		
19	2	24341-000150	O-RING 1A S-15.0	1	1	1	1	1	1		
20	1	114252-55800	NUT	1	1	1	1	1	1		
21	1	114650-55810	BOLT, LIFTING	1	1	1	1	1	1		
22	1	22117-060000	WASHER 6	1	1	1	1	1	1		
23	1	22117-080000	WASHER 8	1	1	1	1	1	1		
24	1	26106-080452	BOLT M 8X 45 PLATED	1	1	1	1	1	1		
25	1	26366-060002	NUT M 6	1	1	1	1	1	1		
26	1	26476-060142	BOLT M 6X 14,TAPPING	2	2	2	2	2	2		
27	1	106990-44660	CLIP,HOSE	2	2	2	2	2	2		
28	1	114250-59050	PIPE, FUEL OIL	1	1	1	1	1	1		
29	1	114652-59300	PIPE, FUEL RETURN	1	1	1	1	1	1		
30	2	124722-59050	CLAMP 9	2	2	2	2	2	2		
31	2	114250-59060	PIPE, FUEL RETURN	1	1	1	1	1	1		
32	2	114652-59310	TUBE, PROTECT	1	1	1	1	1	1		
33	2	121750-59890	CLAMP 140	1	1	1	1	1	1		
34	1	114650-59800	PIPE, FUEL INJECTION	1	1	1	1	1	1		

Remarks
 (H) FOR L75AE/90AE-D(E)GMO

Fig.39.STARTING MOTOR & DYNAMO

Fig. **39** STARTING MOTOR & DYNAMO



Remarks
 (Y) FOR L90AE-DEPAC, L75AE/90AE/100AE-D(E)P
 (#) FOR L90AE-DEPAC
 (%) OPTIONAL PARTS
 (H) FOR L75AE/90AE/100AE-D(E)P

(A)=L75AE-DE (D)=L75AE-SE
 (B)=L90AE-DE (E)=L90AE-SE
 (C)=L100AE-DE (F)=L100AE-SE

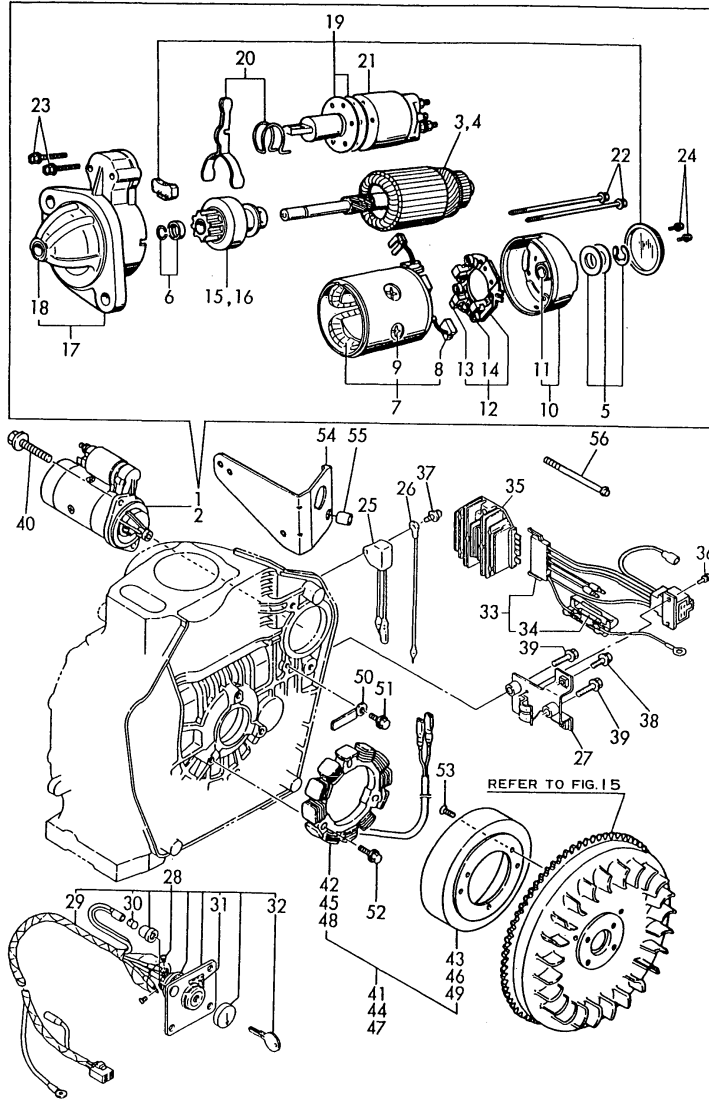
REF.	LEV.	PARTS NO.	DESCRIPTION	QTY						I	R	
				(A)	(B)	(C)	(D)	(E)	(F)			
1	1	114362-77010	STARTER (S114-414A)	1	1	1						
2	1	114351-77010	STARTER (S114-413A)					1	1	1		
3	2	X211461104	ARMATURE	1	1	1						
4	2	X211461008	ARMATURE				1	1	1	1		
5	2	X21148110	WASHER SET, THRUST	1	1	1	1	1	1	1		
6	2	X21147155	STOPPER SET, PINION	1	1	1	1	1	1	1		
7	3	X211412105	COIL ASSY, FIELD	1	1	1	1	1	1	1		
8	3	X21145312	BRUSH (+)	2	2	2	2	2	2	2		
9	3	X21143215	SCREW, CORE	4	4	4	4	4	4	4		
10	2	X211473002	COVER, REAR	1	1	1	1	1	1	1		
11	3	X21145352	METAL	1	1	1	1	1	1	1		
12	2	X211489001	HOLDER ASSY, BRUSH	1	1	1	1	1	1	1		
13	3	X21148313	BRUSH (-)	1	1	1	1	1	1	1		
14	3	X21149314	SPRING, BRUSH	3	3	3	3	3	3	3		
15	2	X211445508	PINION ASSY	1	1	1						
16	2	X211445504	PINION ASSY				1	1	1	1		
17	2	X211416603	HOUSING ASSY, GEAR	1	1	1	1	1	1	1		
18	3	X21145352	METAL	1	1	1	1	1	1	1		
19	2	X211478006	COVER KIT, DUST	1	1	1	1	1	1	1		
20	2	X211456013	LEVER KIT, SHIFT	1	1	1	1	1	1	1		
21	2	X211427501	SWITCH, MAGNETIC	1	1	1	1	1	1	1		
22	2	X211468005	BOLT, THROUGH	2	2	2	2	2	2	2		
23	2	X21145867	BOLT 6	2	2	2	2	2	2	2		
24	2	X21142835	SCREW SET	1	1	1	1	1	1	1		
25	1	160970-77350	RECTIFIER	1	1	1	1	1	1	1		
26	1	183350-77400	WIRE, LEAD	1	1	1	1	1	1	1		
27	1	114253-77410	BRACKET	1	1	1					Y	
I	27-1	1	114385-77400	BRACKET	1	1	1					R Y
	(A=X)											
28	1	114351-77500	PANEL ASSY,KEYSWITCH	1	1	1						H
29	2	114351-77700	HARNES, WIRE	1	1	1						H
30	3	29220-083200	BULB (12V/3.4W)	1	1	1						H
31	2	105198-07120	LABEL, STARTER	1	1	1						H
32	2	106100-77630	KEY, STARTER	1	1	1						H
33	1	114351-77540	HARNES, WIRE	1	1	1						Y
34	2	29411-150000	FUSE (15A),CARTRIDGE	2	2	2						Y
35	1	119660-77710	CURRENT LIMITER(15A)	1	1	1						Y
36	1	26023-040102	SCREW M 4X 10	2	2	2						Y
37	1	26106-060122	BOLT M 6X 12 PLATED	1	1	1						Y
38	1	26106-060202	BOLT M 6X 20 PLATED	2	2	2						Y
39	1	26106-060252	BOLT M 6X 25 PLATED	2	2	2	2	2	2	2		
I	39-1	1	26106-060122	BOLT M 6X 12 PLATED	2	2	2					R
	(A=X)											
40	1	26106-100302	BOLT M10X 30 PLATED	2	2	2	2	2	2	2		
41	1	114351-78250	DYNAMO ASSY	1	1	1	1	1	1	1		
42	2	114351-78750	STATOR ASSY	1	1	1	1	1	1	1		
43	2	114351-78760	WHEEL, DYNAMO	1	1	1	1	1	1	1		
44	1	114351-78260	DYNAMO ASSY (12V-3A)	1	1	1						H
45	2	114351-78770	STATOR ASSY,(132.1MM	1	1	1						H
46	2	114351-78780	WHEEL (STATOR132.1MM	1	1	1						H
47	1	114351-78290	DYNAMO ASSY (12V-15A		1							#
48	2	114351-78830	STATOR ASSY,(132.1MM		1							#
49	2	114351-78840	WHEEL (STATOR132.1MM		1							#
50	1	160710-78710	CLAMP, CORD	1	1	1	1	1	1	1		

++ CONTINUE ++

Fig.39.STARTING MOTOR & DYNAMO

(A)=L75AE-DE (D)=L75AE-SE
 (B)=L90AE-DE (E)=L90AE-SE
 (C)=L100AE-DE (F)=L100AE-SE

Fig. **39** STARTING MOTOR & DYNAMO



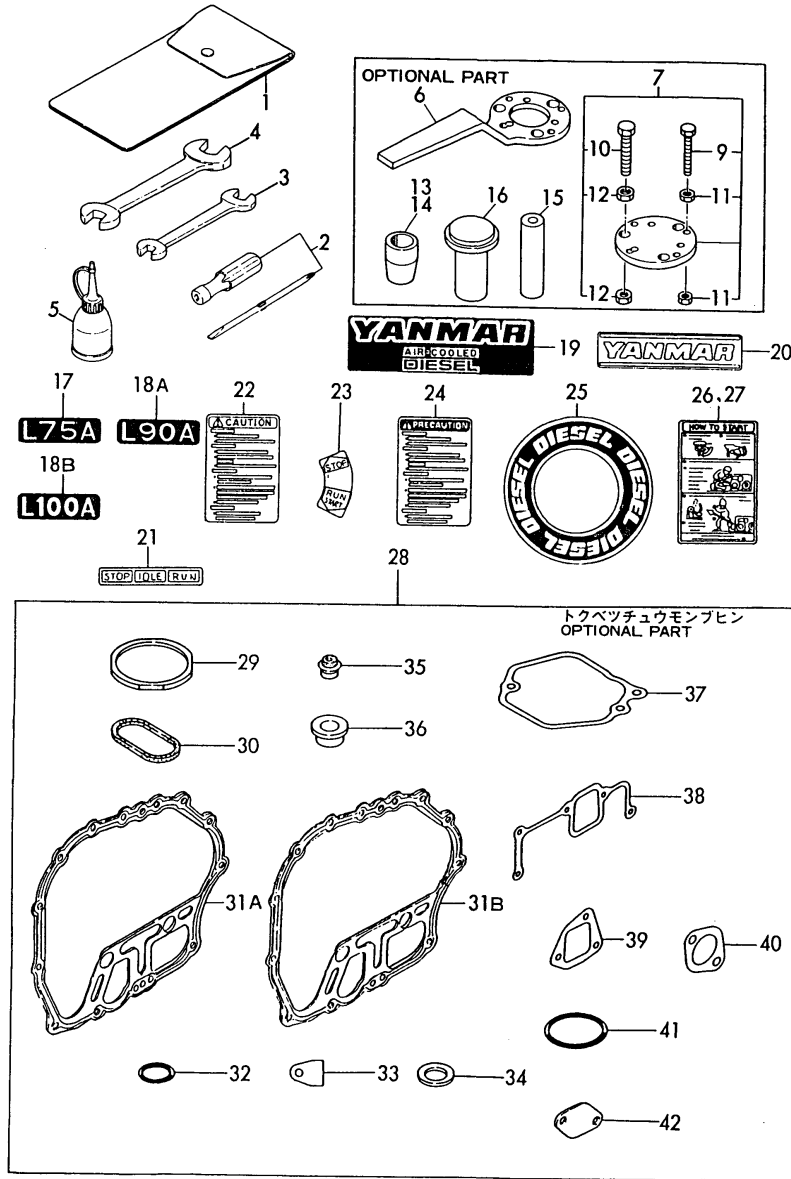
REF.	LEV.	PARTS NO.	DESCRIPTION	QTY						I	R
				(A)	(B)	(C)	(D)	(E)	(F)		
51	1	26476-060142	BOLT M 6X 14,TAPPING	1	1	1	1	1	1		
52	1	26476-060202	BOLT M 6X 20,TAPPING	3	3	3	3	3	3		
53	1	26577-060142	SCREW M 6X 14	3	3	3	3	3	3		
54	1	114351-77620	BRACKET, ST.SWITCH	1	1	1	1	1	1	%	
55	1	114351-77630	WASHER	2	2	2	2	2	2	%	
56	1	26106-060702	BOLT M 6X 70 PLATED	2	2	2	2	2	2	%	

Remarks
 (Y) FOR L90AE-DEPAC, L75AE/90AE/100AE
 -D(E)P
 (#) FOR L90AE-DEPAC
 (%) OPTIONAL PARTS
 (H) FOR L75AE/90AE/100AE-D(E)P

Fig.41.TOOLS / LABELS & GASKET SET

(A)=L75AE-D/DE (D)=L75AE-S/SE
 (B)=L90AE-D/DE (E)=L90AE-S/SE
 (C)=L100AE-D/DE (F)=L100AE-S/SE

Fig.41 LABEL, TOOL & GASKET SET



REF.	LEV.	PARTS NO.	DESCRIPTION	QTY						I	R
				(A)	(B)	(C)	(D)	(E)	(F)		
1	1	114250-92600	BAG, TOOL	1	1	1	1	1	1		
2	1	160330-92730	SCREWDRIVER	1	1	1	1	1	1		
3	1	28110-100120	WRENCH 10X12	1	1	1	1	1	1		
4	1	28110-140170	WRENCH 14X17	1	1	1	1	1	1		
5	1	28210-000150	FEEDER, OIL	1	1	1	1	1	1		
6	1	114250-92101	F.W. LOCKING HANDLE	1	1	1	1	1	1		Y
7	1	114250-92130	REMOVER, FLYWHEEL	1	1	1	1	1	1		Y
9	2	26116-060454	BOLT M 6X 45 PLATED	4	4	4	4	4	4		Y
10	2	26116-080454	BOLT M 8X 45 PLATED	3	3	3	3	3	3		Y
11	2	26716-060002	NUT 6	8	8	8	8	8	8		Y
12	2	26716-080002	NUT M 8	6	6	6	6	6	6		Y
13	1	114668-92300	GUIDE, OIL SEAL	1	1	1					Y
14	1	114650-92300	GUIDE, OIL SEAL				1	1	1		Y
15	1	114650-92310	INSTALLING TOOL	1	1	1	1	1	1		Y
16	1	114650-92350	INSTALLING TOOL	1	1	1	1	1	1		Y
17	1	114570-07050	LABEL, (L75A)	1			1				
18A	1	114670-07050	LABEL, (L90A)		1			1			
18B	1	114970-07050	LABEL, (L100A)			1				1	
19	1	114250-07090	LABEL, AIR COOLED	1	1	1	1	1	1	1	
20A	1	114250-07110	LABEL, YANMAR	1	1	1	1	1	1	1	
20B	1	183250-07110	LABEL, YANMAR	1	1	1					
21	1	183250-07230	LABEL, OPERATION	1	1	1		1	1		
22	1	114268-07240	LABEL, CAUTION	1	1	1	1	1	1		
23	1	114250-07260	LABEL, OPERATION	1	1	1	1	1	1		
24	1	114268-07280	LABEL, PRECAUTION		1	1					
25	1	114250-07350	LABEL, YANMAR DIESEL	1	1	1	1	1	1		
26	1	114268-07350	LABEL, HOW TO START	1	1	1	1	1	1		
27	1	114268-07360	LABEL, HOW TO START(F		1	1					
28A	1	714589-92600	GASKET SET	1			1				
28B	1	714689-92600	GASKET SET		1			1			
28C	1	714970-92600	GASKET SET			1				1	
29A	2	114550-01340	GASKET, CYL. HEAD	1			1				
29B	2	114650-01340	GASKET, CYL. HEAD		1			1			
29C	2	114970-01340	GASKET, CYL. HEAD			1				1	
30	2	114650-01380	O-RING	1	1	1	1	1	1		
31A	2	114650-01412	GASKET, CRANK CASE	1	1	1	1	1	1		
31B	2	114650-01411	GASKET, CRANK CASE	1	1	1	1	1	1		
32	2	24311-000180	O-RING 1A P-18.0	2	2	2	2	2	2		
33	2	114250-01840	GASKET	1	1	1	1	1	1		
34	2	43400-500490	SEAL WASHER 16	2	2	2	2	2	2		
35	2	114650-11340	SEAL, VALVE STEM	2	2	2	2	2	2		
36	2	114250-11460	GASKET, NOZZLE	1	1	1	1	1	1		
37	2	114650-11310	GASKET, BONNET	1	1	1	1	1	1		
38	2	114650-12300	GASKET, AIR INTAKE	1	1	1	1	1	1		
39	2	114650-12210	GASKET, AIR CLEANER	1	1	1	1	1	1		
40	2	114650-13200	GASKET, MUFFLER	1	1	1	1	1	1		
41	2	103338-32570	O-RING	1	1	1	1	1	1		
42	2	114250-35270	GASKET, L.O.STRAINER	1	1	1	1	1	1		

Remarks
 (Y) OPTIONAL PARTS