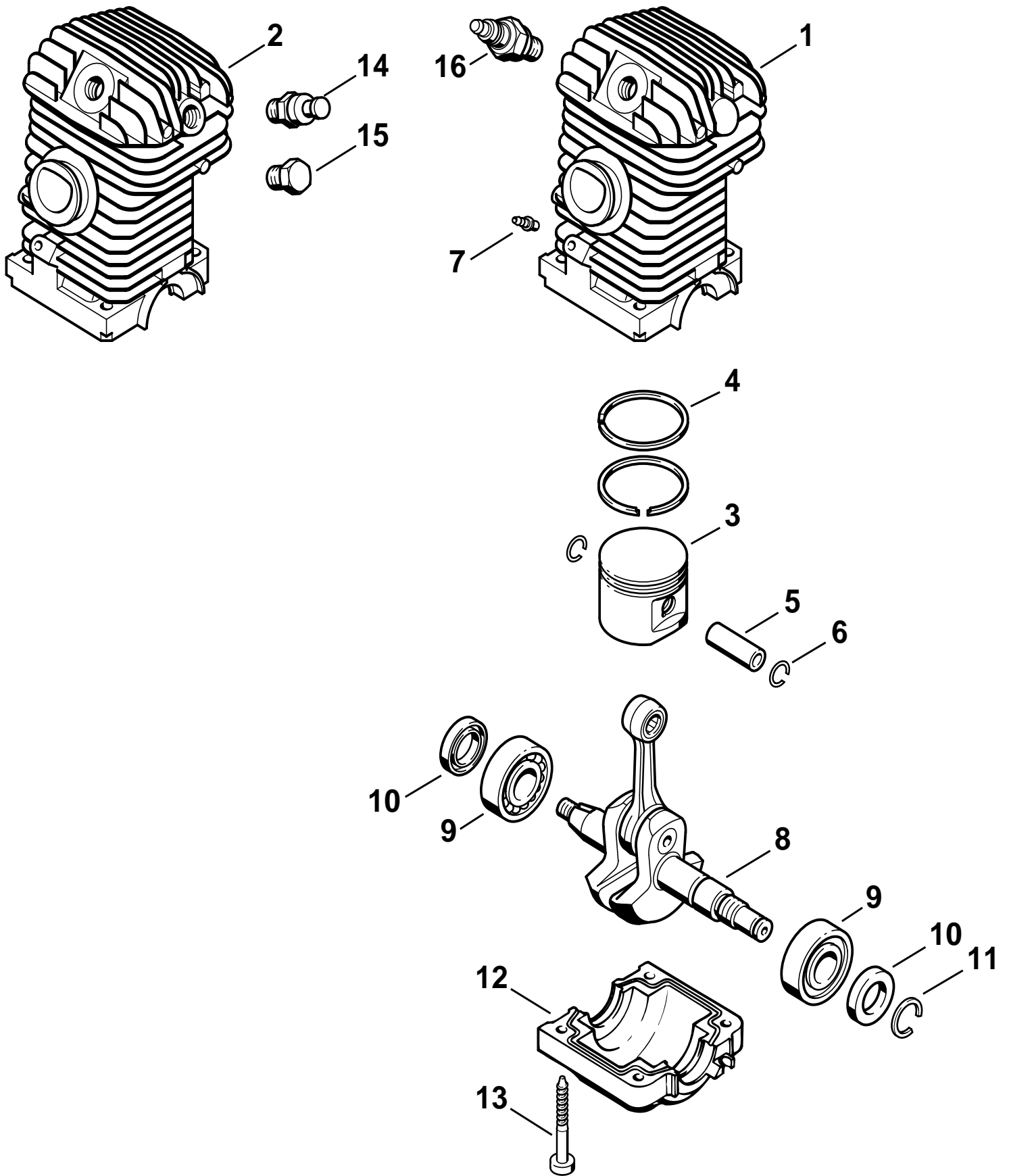


STIHL MS 210 / 230 / 250

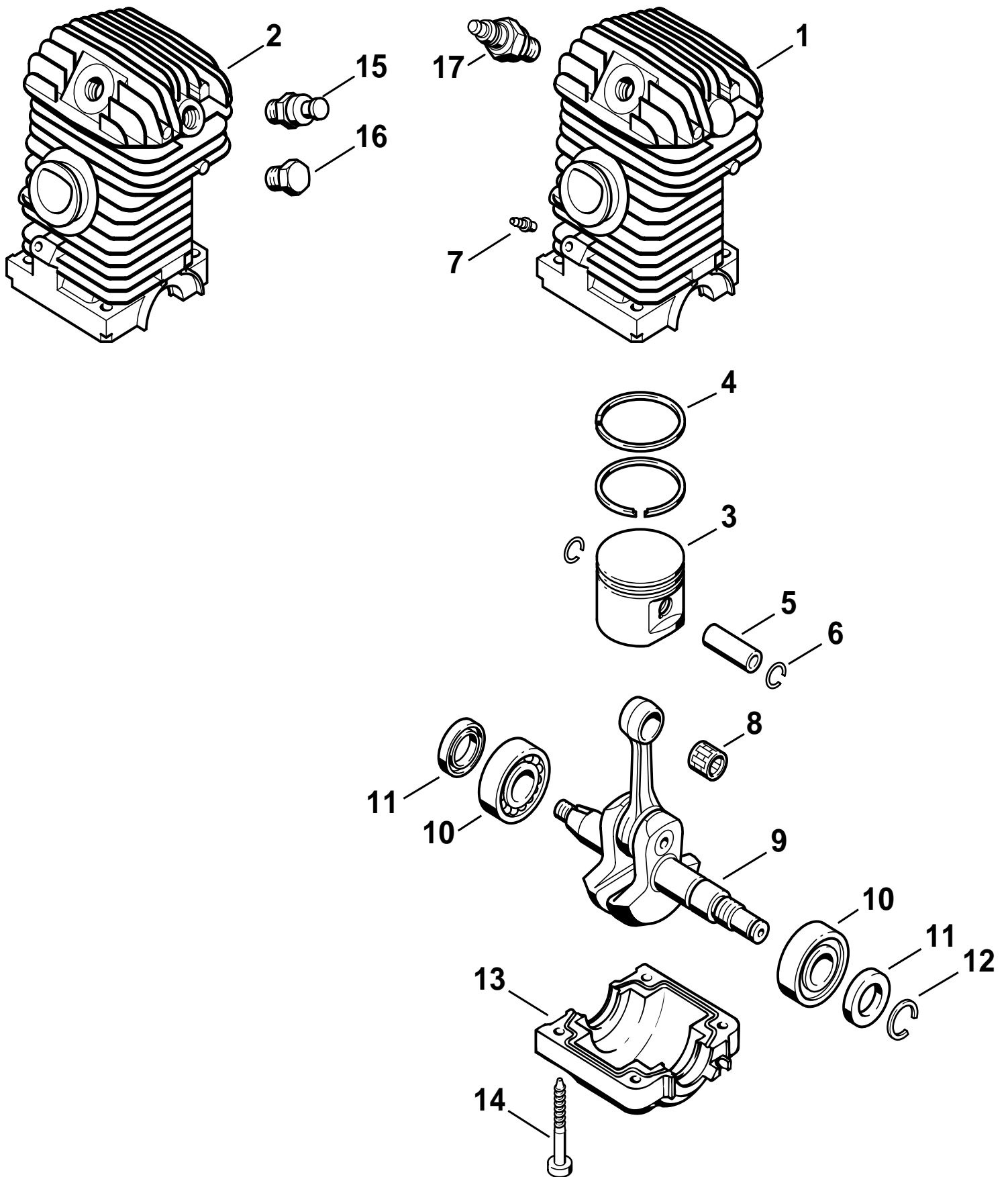
Spare Parts List

A	Shortblock MS 210	2
B	Shortblock MS 230	3
C	Shortblock MS 250	4
D	Engine housing	5
E	Quick tensioner parts	6
F	Oil pump	7
G	Clutch	8
H	Chain brake	9
J	Muffler	10
K	Ignition system	11
L	Rewind starter	12
M	Air filter	13
N	Handle housing	14
O	Carburetor WT-215, WT-286	15
P	Carburetor C1Q-S75, C1Q-S76, C1Q-S77 USA	16
Q	Tools, Extras	17



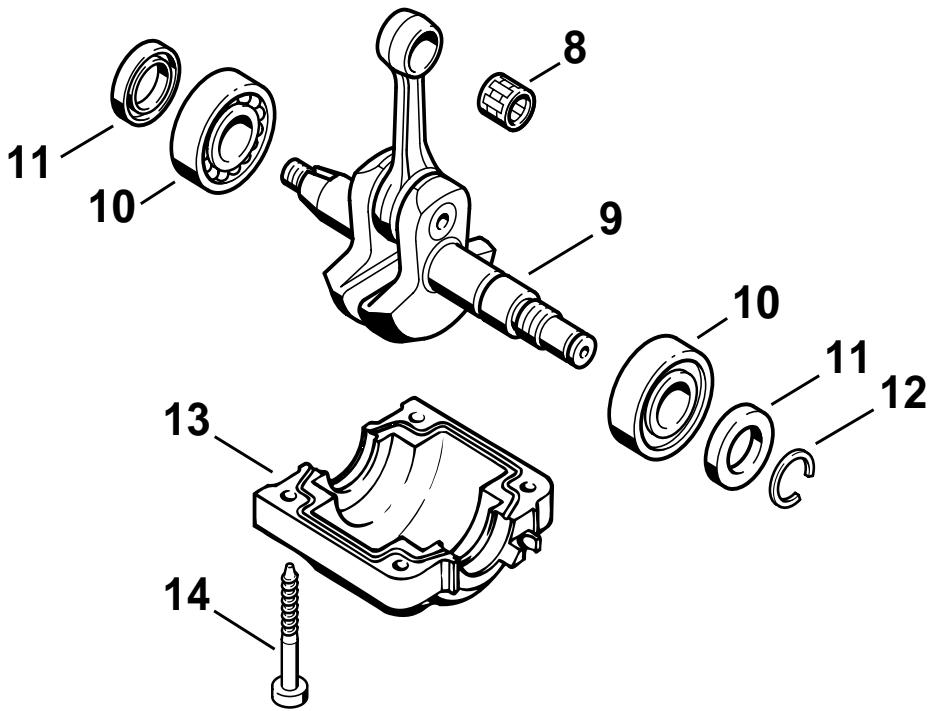
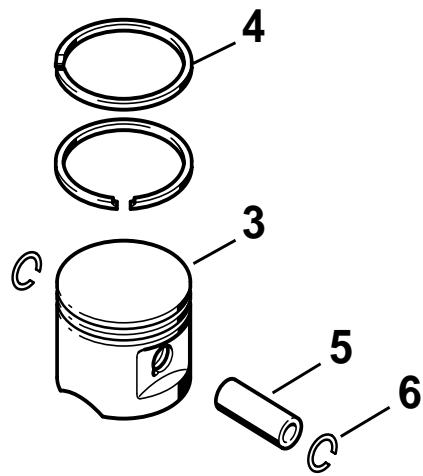
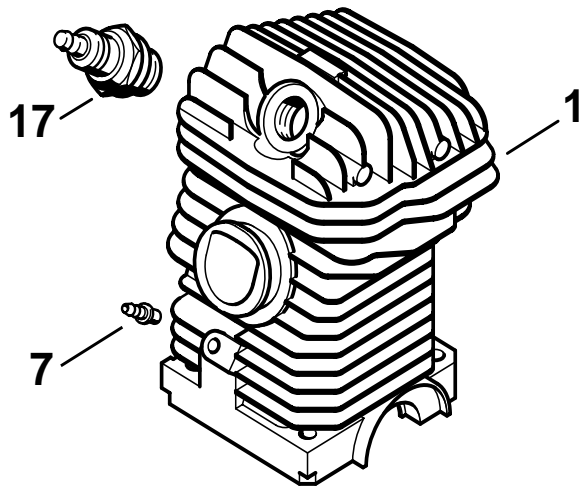
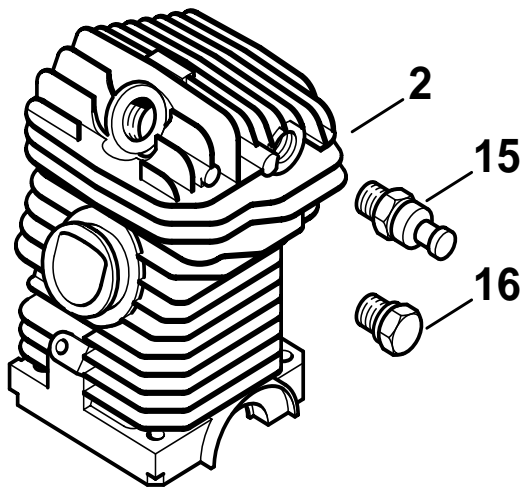
Ref. ID	Part Number	Qty.	Part Name
1	1123 020 1221	1	Cylinder with piston Ø 40mm USA, BR (1) □ 3 - 7, 13
2	1123 020 1222	1	Cylinder with piston Ø 40mm (1) □ 3 - 7, 13, 15
3	1123 030 2003	1	Piston Ø 40mm (1) □ 4 - 6
4	1123 034 3005	2	Piston ring Ø 40x1.2mm (1)
5	4119 034 1500	1	Piston pin (1)
6	9463 650 1000	2	Snap ring 10 (1)
7	0000 988 5211	1	Connector (1)
8	1123 030 0411	1	Crankshaft (1)
9	9503 003 0340	2	Grooved ball bearing 6202 (1)
10	9638 003 1581	2	Oil seal 15x25x5 (1) (24.96)
10	9639 003 1585	2	Oil seal 15x25x5 (1) (24.96)
11	9468 621 1520	1	Circlip 15x1 (1)
12	1123 021 2500	1	Engine pan (1)
13	9075 478 4195	4	Pan head self-tapping screw IS D5.3x41 (1)
14	1123 020 9400	1	Decompression valve Easy start version (1)
15	1122 025 2200	1	Plug (1)
16	1110 400 7005	1	Spark plug Bosch WSR 6 F (1)
16	0000 400 7000	1	Spark plug NGK BPMR7A (1)
	0783 830 2000	1	Tube of sealant Dirko HT red (A) (1)

(1) MS 210, (2) MS 230, (3) MS 250



Ref. ID	Part Number	Qty.	Part Name
1	1123 020 1223	1	Cylinder with piston Ø 40mm (2) □ 3 - 7, 14
2	1123 020 1224	1	Cylinder with piston Ø 40mm Easy start version (2) □ 3 - 7, 14, 16
3	1123 030 2019	1	Piston Ø 40mm (2) □ 4, 5, 6
4	1123 034 3005	2	Piston ring Ø 40x1.2mm (2)
5	4119 034 1500	1	Piston pin (2)
6	9463 650 1000	2	Snap ring 10 (2)
7	0000 988 5211	1	Connector (2)
8	9512 003 2250	1	Needle cage 10x13x12.5 (2)
9	1123 030 0400	1	Crankshaft (2)
10	9503 003 0340	2	Grooved ball bearing 6202 (2)
11	9638 003 1581	2	Oil seal 15x25x5 (2) (24.96)
11	9639 003 1585	2	Oil seal 15x25x5 (2) (24.96)
12	9468 621 1520	1	Circlip 15x1 (2)
13	1123 021 2500	1	Engine pan (2)
14	9075 478 4195	4	Pan head self-tapping screw IS D5.3x41 (2)
15	1123 020 9400	1	Decompression valve Easy start version (2)
16	1122 025 2200	1	Plug (2)
17	1110 400 7005	1	Spark plug Bosch WSR 6 F (2)
17	0000 400 7000	1	Spark plug NGK BPMR7A (2)
17	0000 400 7006	1	Spark plug Champion RCJ6Y (2)
	0783 830 2000	1	Tube of sealant Dirko HT red (A) (2)

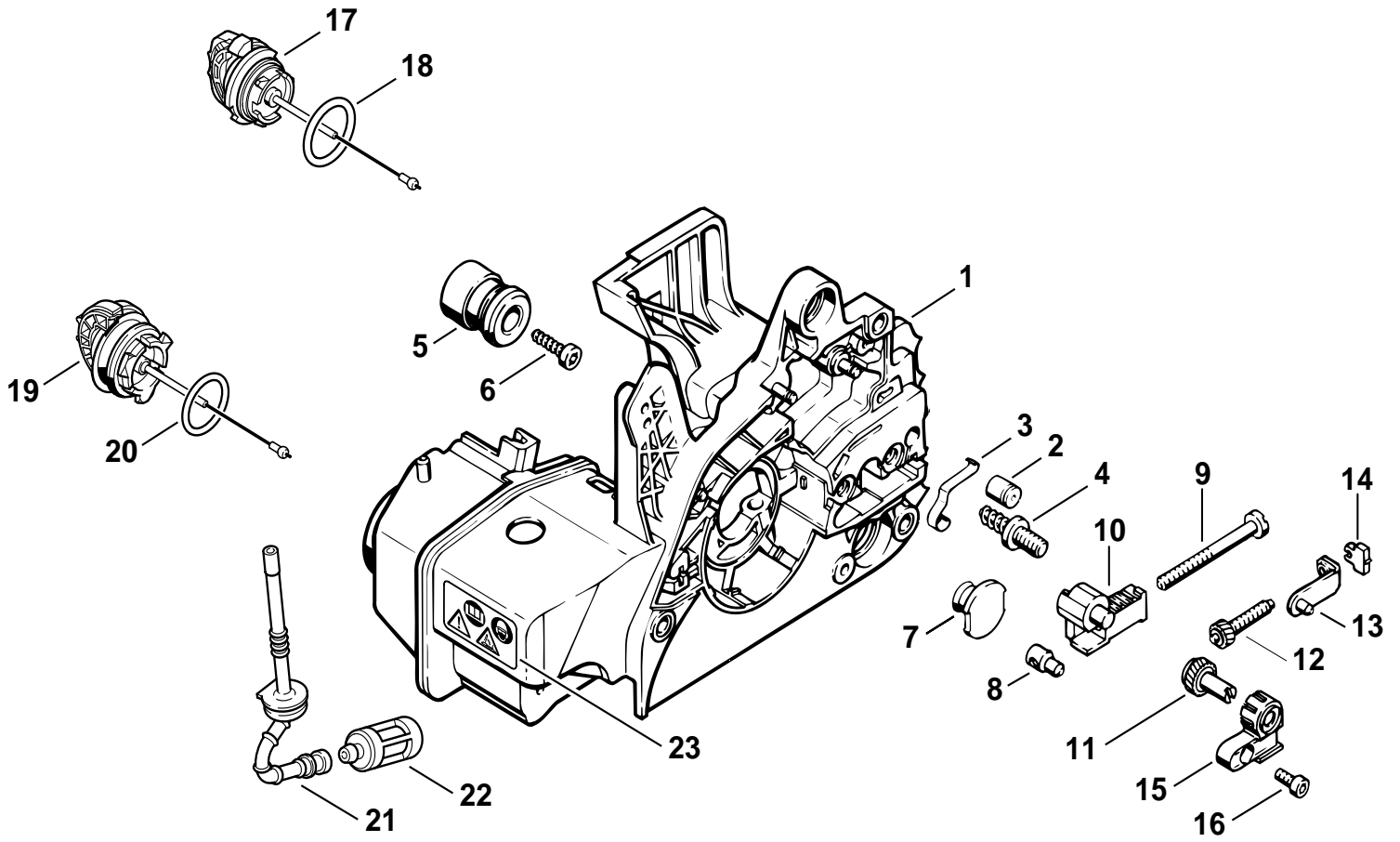
(1) MS 210, (2) MS 230, (3) MS 250



Ref. ID	Part Number	Qty.	Part Name
1	1123 020 1209	1	Cylinder with piston Ø 42.5mm (3) □ 3 - 7, 14
2	1123 020 1220	1	Cylinder with piston Ø 42.5mm Easy start version (3) □ 3 - 7, 14, 16
3	1123 030 2016	1	Piston Ø 42,5mm (3) □ 4 - 6
4	1123 034 3006	2	Piston ring Ø 42.5x1.2mm (3)
5	4119 034 1500	1	Piston pin (3)
6	9463 650 1000	2	Snap ring 10 (3)
7	0000 988 5211	1	Connector (3)
8	9512 003 2250	1	Needle cage 10x13x12.5 (3)
9	1123 030 0400	1	Crankshaft (3)
9	1123 030 0410	1	Crankshaft available in Brazil only (3)
10	9503 003 0340	2	Grooved ball bearing 6202 (3)
11	9638 003 1581	2	Oil seal 15x25x5 (3) (24.96)
11	9639 003 1585	2	Oil seal 15x25x5 (3) (24.96)
12	9468 621 1520	1	Circlip 15x1 (3)
13	1123 021 2500	1	Engine pan (3)
14	9075 478 4195	4	Pan head self-tapping screw IS D5.3x41 (3)
15	1123 020 9400	1	Decompression valve Easy start version (3)
16	1122 025 2200	1	Plug (3)
17	1110 400 7005	1	Spark plug Bosch WSR 6 F (3)
17	0000 400 7000	1	Spark plug NGK BPMR7A (3)
17	0000 400 7006	1	Spark plug Champion RCJ6Y (3)
	0783 830 2000	1	Tube of sealant Dirko HT red (A) (3)

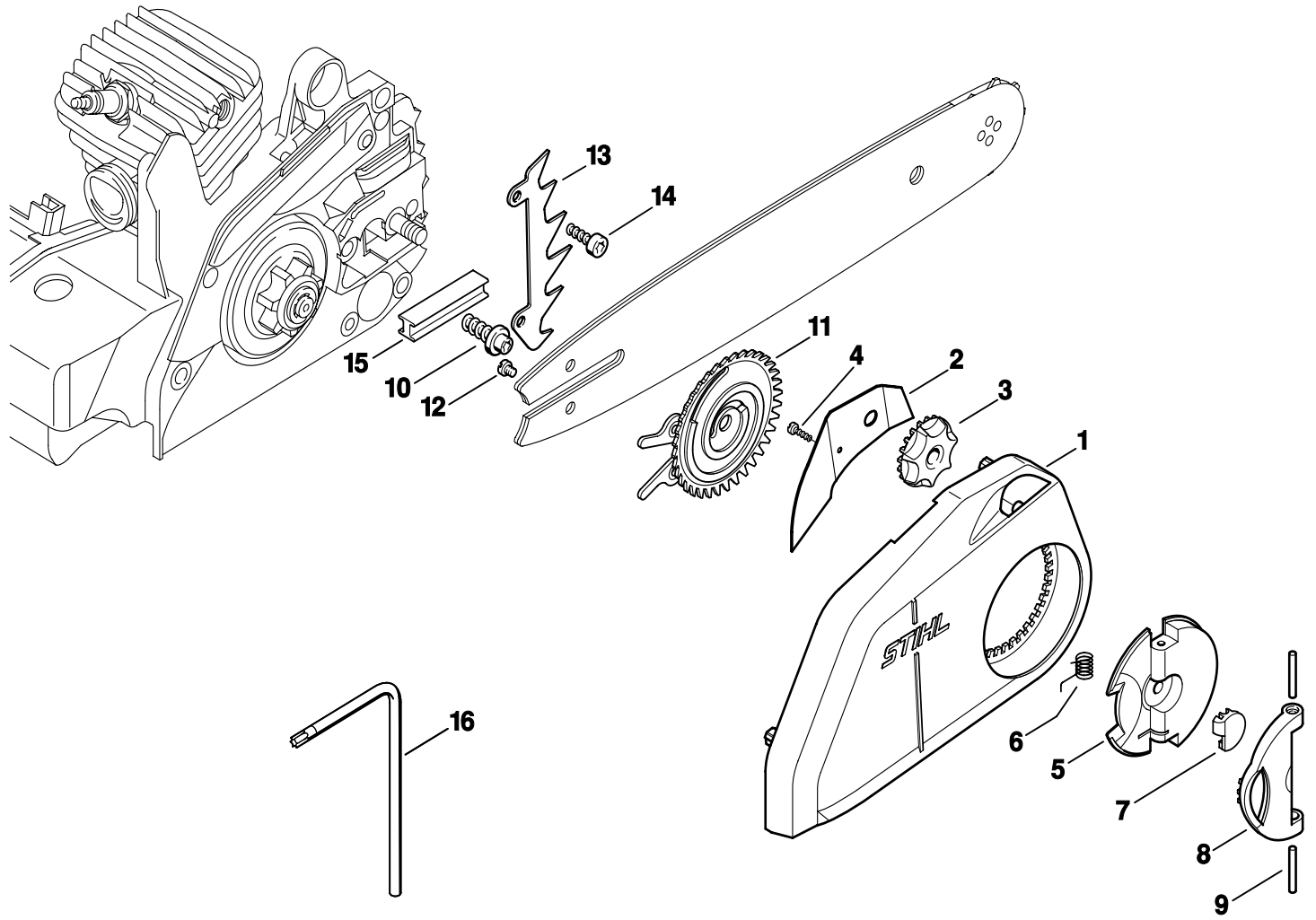
(1) MS 210, (2) MS 230, (3) MS 250

Illustration D Engine housing

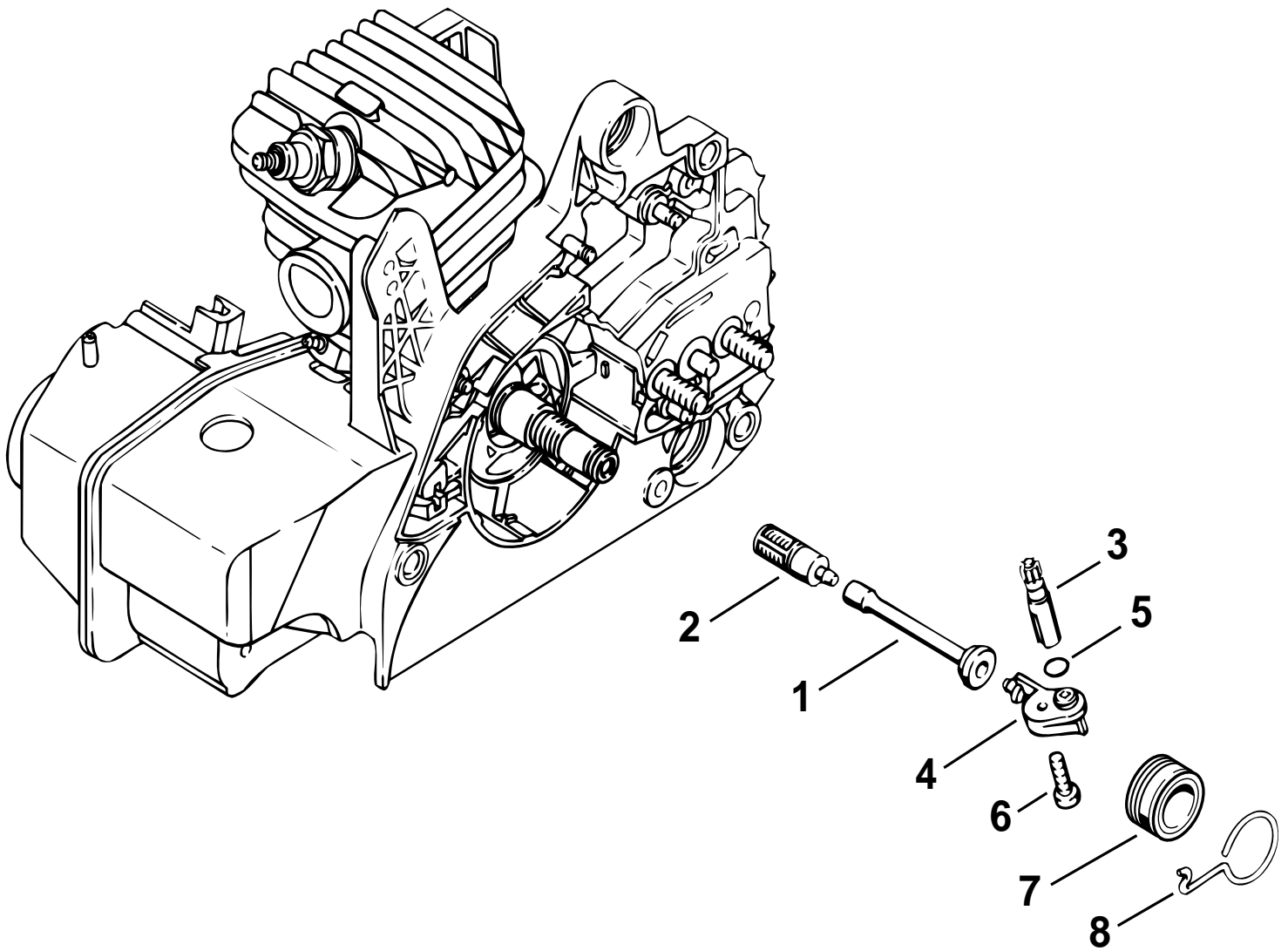


Ref. ID	Part Number	Qty.	Part Name
1	1123 020 3003	1	Engine housing □ 2 - 4, 17 - 20
2	1128 640 9100	1	Valve
3	1123 162 7800	1	Flat spring
4	1123 664 2400	2	Collar screw
5	1123 790 9900	3	Annular buffer
6	9075 478 4155	3	Pan head self-tapping screw IS D5x24
7	1123 791 7300	3	Plug
8	1120 664 1500	1	Tensioning nut (1,2)
9	1123 664 1605	1	Adjusting screw (1,2)
10	1123 664 2205	1	Cover (1,2)
	1123 007 1000	1	Chain tensioner kit (B) □ 11 - 16
	1123 007 1004	1	Spur gear / chain adjusting screw kit (B) (3) □ 11, 12
11		1	Spur gear (B,D) (3)
12		1	Adjusting screw (B,D) (3)
13	1123 640 1900	1	Tensioner slide (B) (3)
14	1123 664 1400	1	Thrust pad (B) (3)
15	1123 664 2200	1	Cover (B) (3)
16	9075 478 3015	1	Pan head self-tapping screw IS D4x15 (B) (3)
17	0000 350 0526	1	Filler cap □ 18
18	9645 948 2470	1	O-ring 23x3
19	0000 350 0525	1	Filler cap □ 20
20	9645 948 7734	1	O-ring 25x3.5
21	1123 358 7701	1	Hose
22	0000 350 3500	1	Pickup body
23	0000 967 3662	1	Instruction label

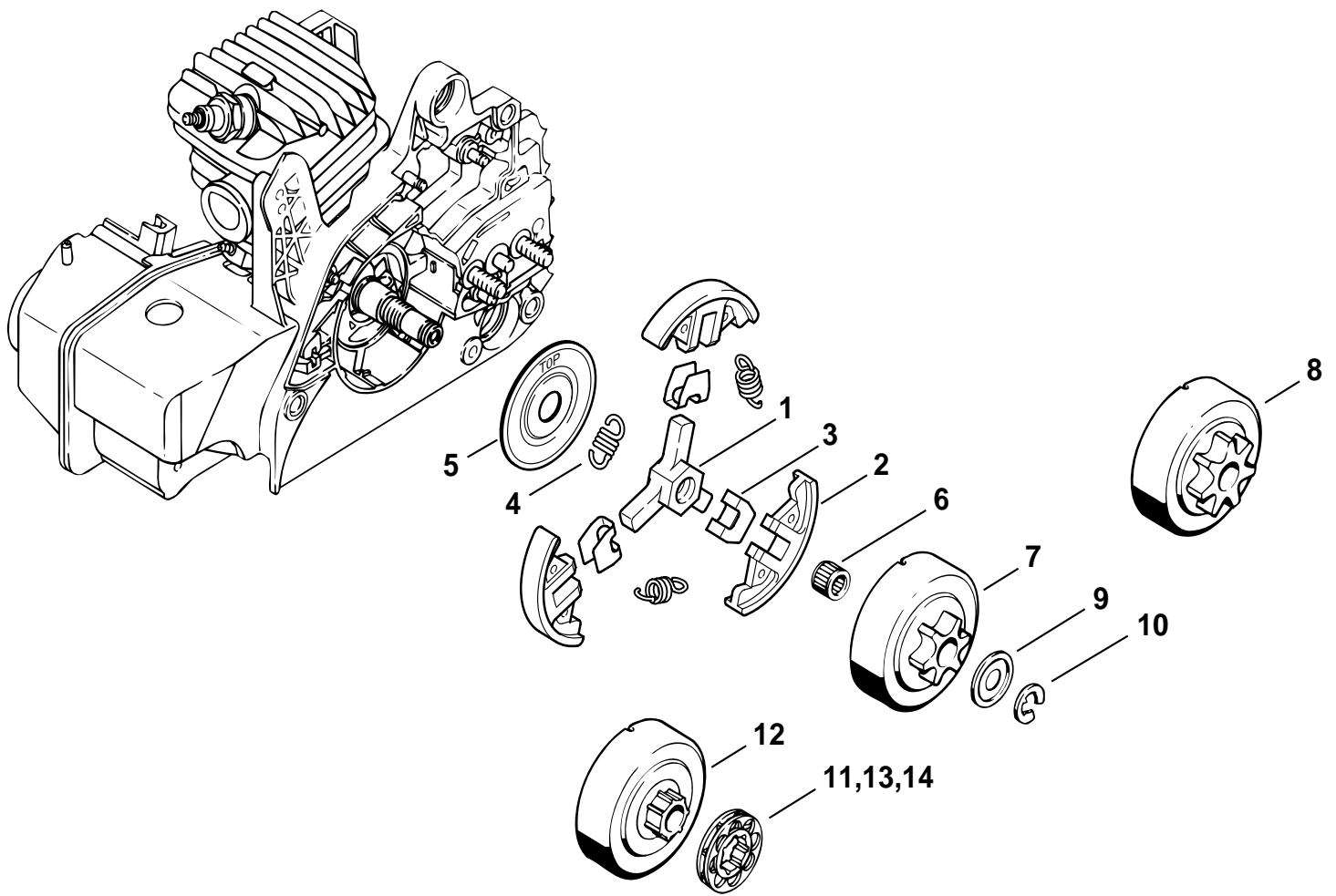
(1) MS 210, (2) MS 230, (3) MS 250



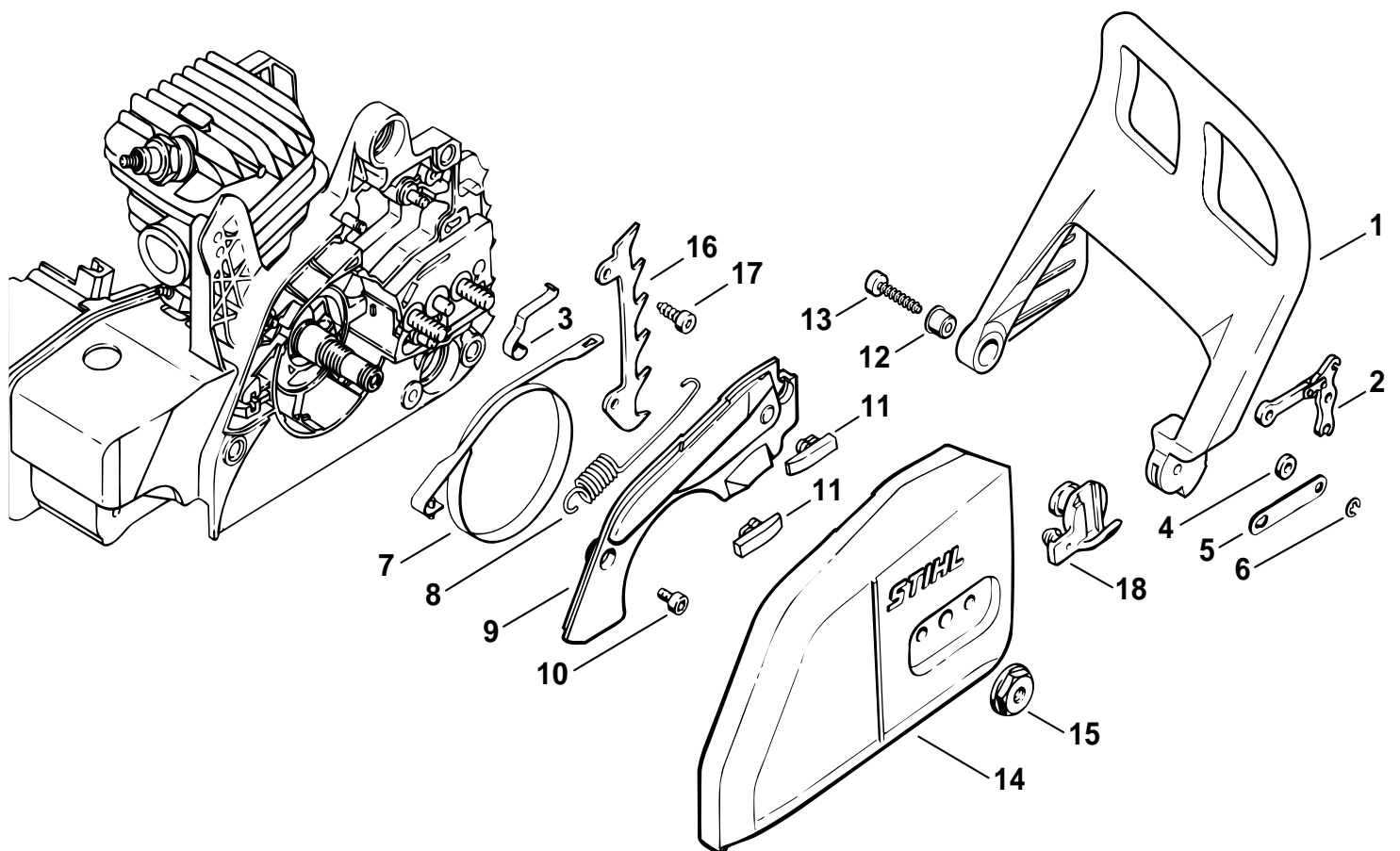
Ref. ID	Part Number	Qty.	Part Name
	1123 007 1008	1	Quick tensioner parts □ 1 - 16
1	1123 640 1700	1	Chain sprocket cover □ 2 - 4
2	1123 648 3800	1	Cover plate
3	1123 648 2200	1	Adjusting wheel
4	9104 003 8600	1	Self-tapping screw P3x10
5	1121 660 1000	1	Wing nut □ 6 - 9
6		1	Torsion spring (D)
7		1	Cap (D)
8		1	Handle (D)
9		2	Cylindrical pin 3m6x26 (D)
10	1123 664 2402	1	Collar screw
11	1123 660 3001	1	Tensioning gear □ 12
12	9041 319 0600	1	Pan head screw M4x5
13	1123 664 0501	1	Bumper spike
14	9075 478 4115	2	Pan head self-tapping screw IS D5x16
15	1123 021 2800	1	Insert
16	0812 370 1000	1	Screwdriver T27x120x70



Ref. ID	Part Number	Qty.	Part Name
1	1123 647 9400	1	Hose
2	1123 640 3800	1	Pickup body
3	1123 640 3200	1	Oil pump 0.55
3	1123 640 3201	1	Oil pump 0.65
4	1123 640 2901	1	Connector 5
5	9646 945 0355	1	O-ring 6.1x1.6
6	9074 478 4130	4	Pan head self-tapping screw IS P5x16
7	1123 640 7105	1	Worm 8
8	1123 647 2400	1	Spring

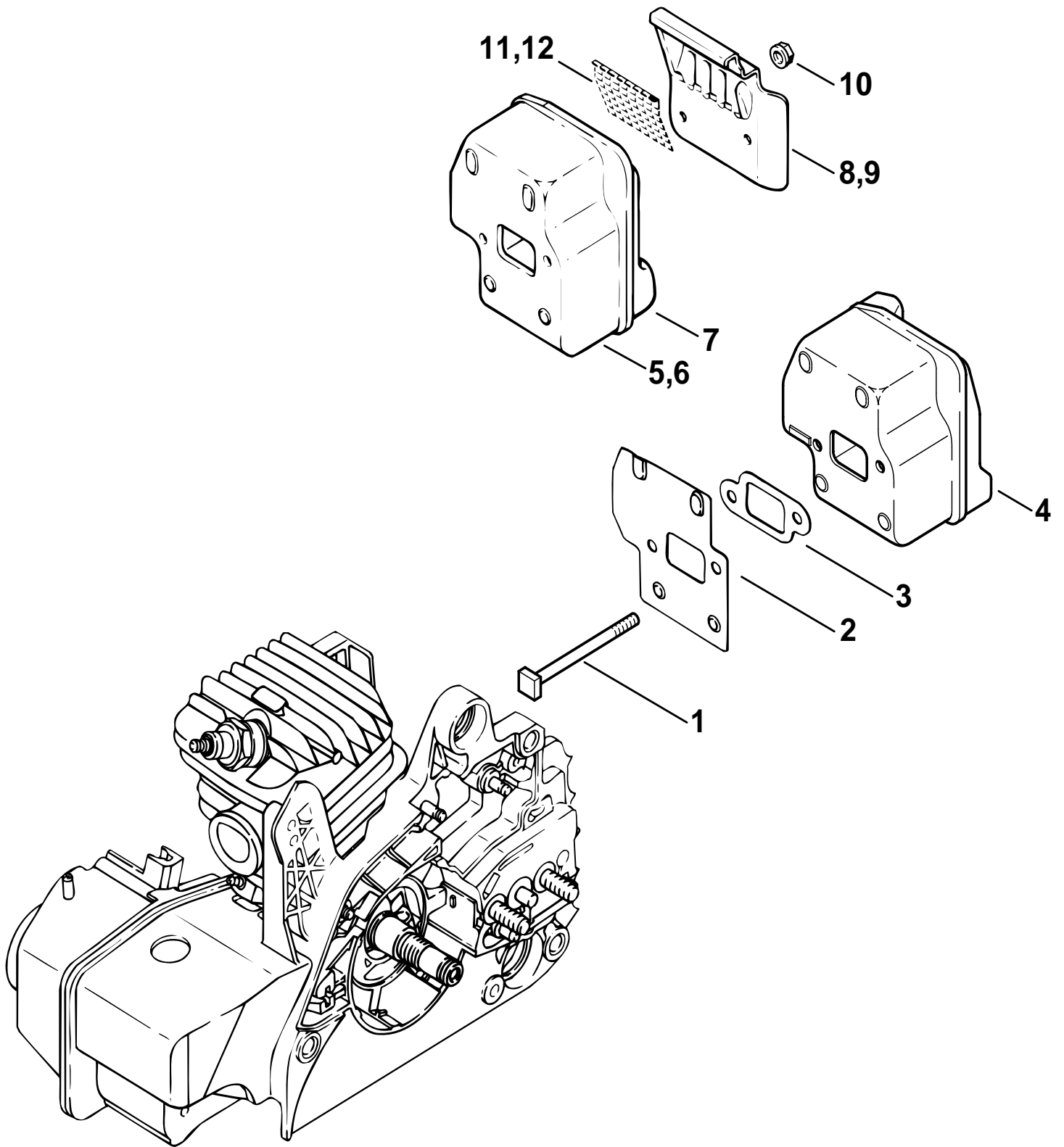


Ref. ID	Part Number	Qty.	Part Name
	1123 160 2050	1	Clutch □ 1 - 5
1	1121 162 3201	1	Carrier
2	1129 162 0800	3	Clutch shoe
3	1127 162 3000	3	Retainer
4	0000 997 5515	3	Tension spring
5	1121 162 1001	1	Cover washer
6	9512 933 2260	1	Needle cage 10x13x10
7	1123 640 2005	1	Chain sprocket 3/8" Picco 6T
8	1123 640 2000	1	Chain sprocket 3/8" Picco 7T (B)
	1123 640 2010	1	Chain sprocket 1/4" 8T (A,B)
	1123 640 2015	1	Chain sprocket 0.325" 7T (A,B)
	1123 640 2020	1	Chain sprocket 0.325" 8T (A,B)
9	0000 958 1022	1	Washer Ø 27mm
10	9460 624 0801	1	E-clip 8x1.3
	1123 007 1001	1	Rim sprocket kit Picco 7T (B) □ 9 - 12
11	0000 642 1240	1	Rim sprocket 3/8" Picco 7T (B)
12		1	Clutch drum (D)
	1123 007 1002	1	Rim sprocket kit 0.325" 8T (B) □ 9, 10, 12, 13
13	0000 642 1234	1	Rim sprocket 0.325" 8T (B)
	1123 007 1003	1	Rim sprocket kit 0.325" 7T (B) □ 9, 10, 12, 14
14	0000 642 1236	1	Rim sprocket 0.325" 7T (B)



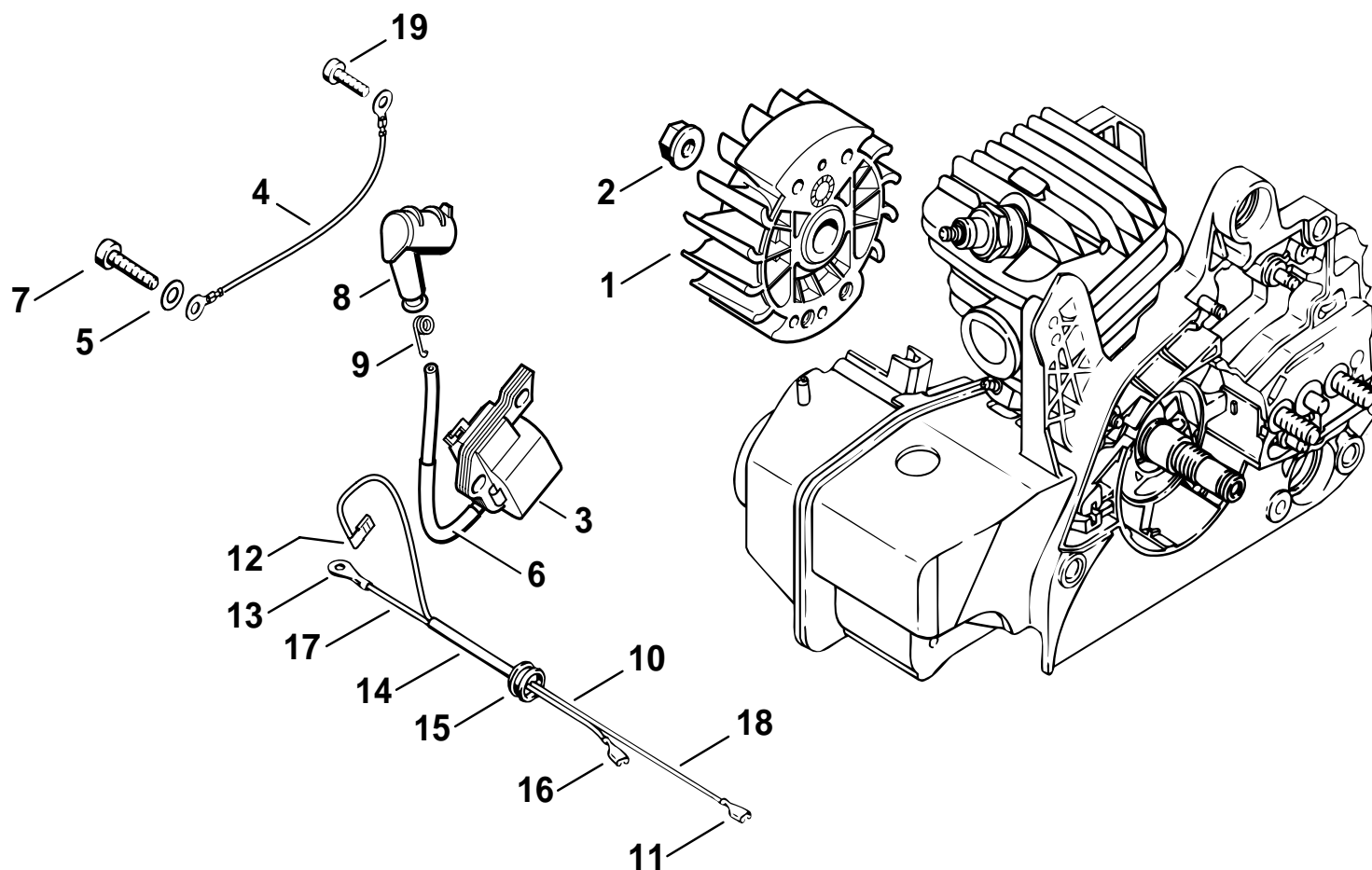
Ref. ID	Part Number	Qty.	Part Name
	1123 790 9150	1	Hand guard □ 1, 12
1	1123 792 9100	1	Hand guard
2	1121 160 5000	1	Lever
3	1123 162 7800	1	Flat spring
4	0000 958 0521	1	Washer
5	1123 162 5800	1	Strap
6	9460 624 0400	1	E-clip 4
7	1123 160 5400	1	Brake band
8	1123 162 7900	1	Tension spring
9	1123 021 1100	1	Cover
10	9075 478 3015	2	Pan head self-tapping screw IS D4x15
11	1123 648 6600	2	Bumper strip
12	1127 791 7200	1	Sleeve
13	9075 478 4155	1	Pan head self-tapping screw IS D5x24
14	1123 640 1705	1	Chain sprocket cover
15	0000 955 0804	2	Collar nut M8
16	1123 664 0500	1	Bumper spike (B) (3)
17	9075 478 4115	2	Pan head self-tapping screw IS D5x16 (B) (3)
18	1123 656 7700	1	Chain catcher (B)

(1) MS 210, (2) MS 230, (3) MS 250



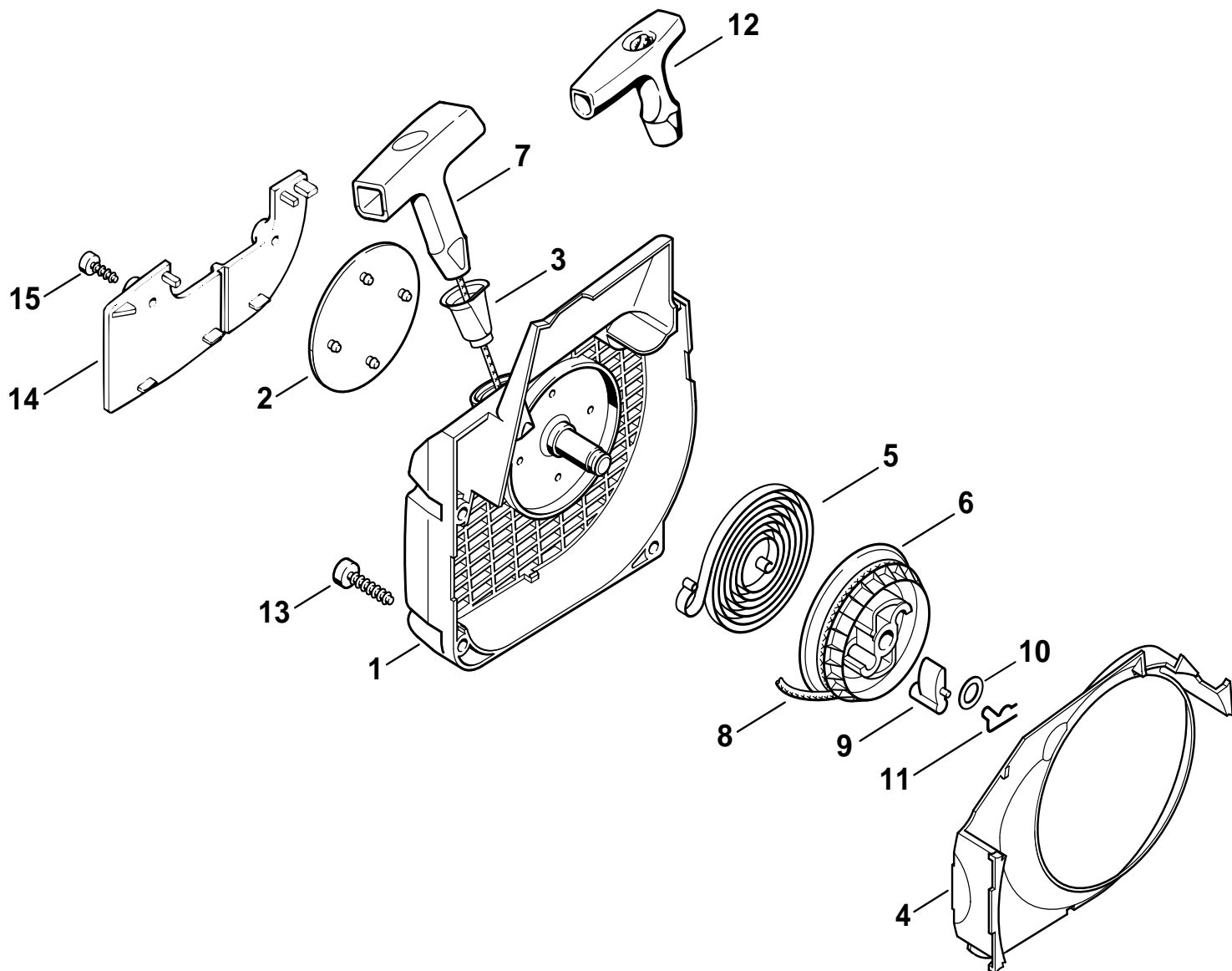
Ref. ID	Part Number			Qty.	Part Name
1	1123	148	1201	2	Screw M5x65
2	1123	141	3200	1	Cooling plate (2,3)
3	1123	149	0500	1	Gasket (2,3)
4	1123	140	0604	1	Muffler
5	1123	140	0606	1	Muffler USA, CDN □ 9, 12
6	1123	140	0605	1	Muffler AUS □ 7, 8, 11
7	1123	145	0800	1	Exhaust casing AUS
8	1123	145	0600	1	Cover plate AUS
9	1123	145	0602	1	Cover plate USA, CDN
10	9216	263	0700	2	Hexagon nut M5
11	1123	141	9000	1	Screen AUS
12	1123	141	9002	1	Screen USA, CDN

(1) MS 210, (2) MS 230, (3) MS 250

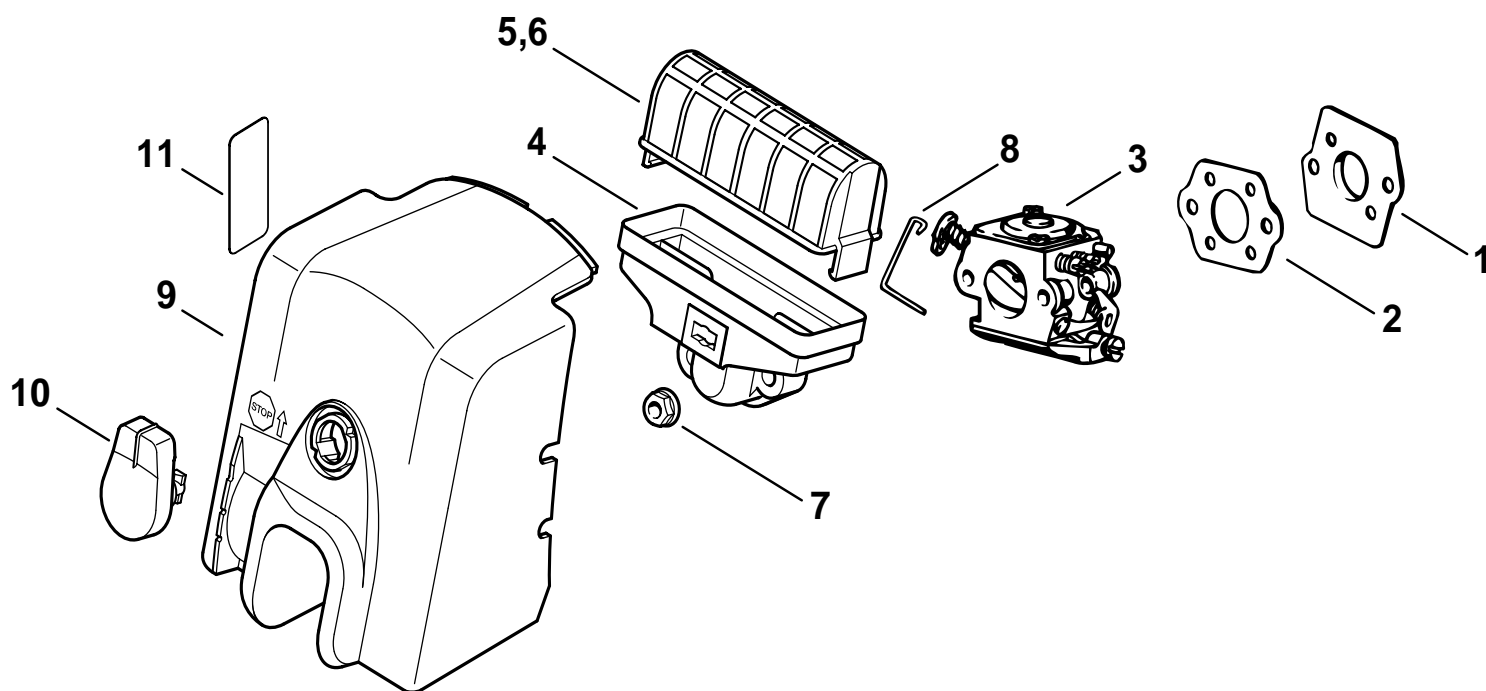


Ref. ID	Part Number	Qty.	Part Name
1	1123 400 1203	1	Flywheel
2	0000 955 0802	1	Collar nut M8x1
3	0000 400 1306	1	Ignition module □ 4, 5
4	1123 440 2200	1	Ground wire
5	9291 021 0121	2	Washer 5.3
6	1123 442 0401	1	Insulating hose
7	9075 478 4155	4	Pan head self-tapping screw IS D5x24
8	1128 405 1000	1	Spark plug boot
9	0000 998 0604	1	Torsion spring
10	1123 440 3001	1	Wiring harness □ 11 - 18
11	0751 030 8957	1	Terminal socket 4.8-1/0.8
12		1	Terminal socket (D)
13	0751 030 8950	1	Terminal socket A 4-1
14	1123 442 0400	1	Hose
15	0000 989 0814	1	Grommet
16	0751 030 8955	1	Terminal socket 4.8-1/0.4
17		1	Lead 160mm / 6.3"
18		1	Lead 250mm / 9.8"
	0751 010 1110	1	Lead 10m / 33'
19	9075 478 3015	1	Pan head self-tapping screw IS D4x15

Illustration L Rewind starter

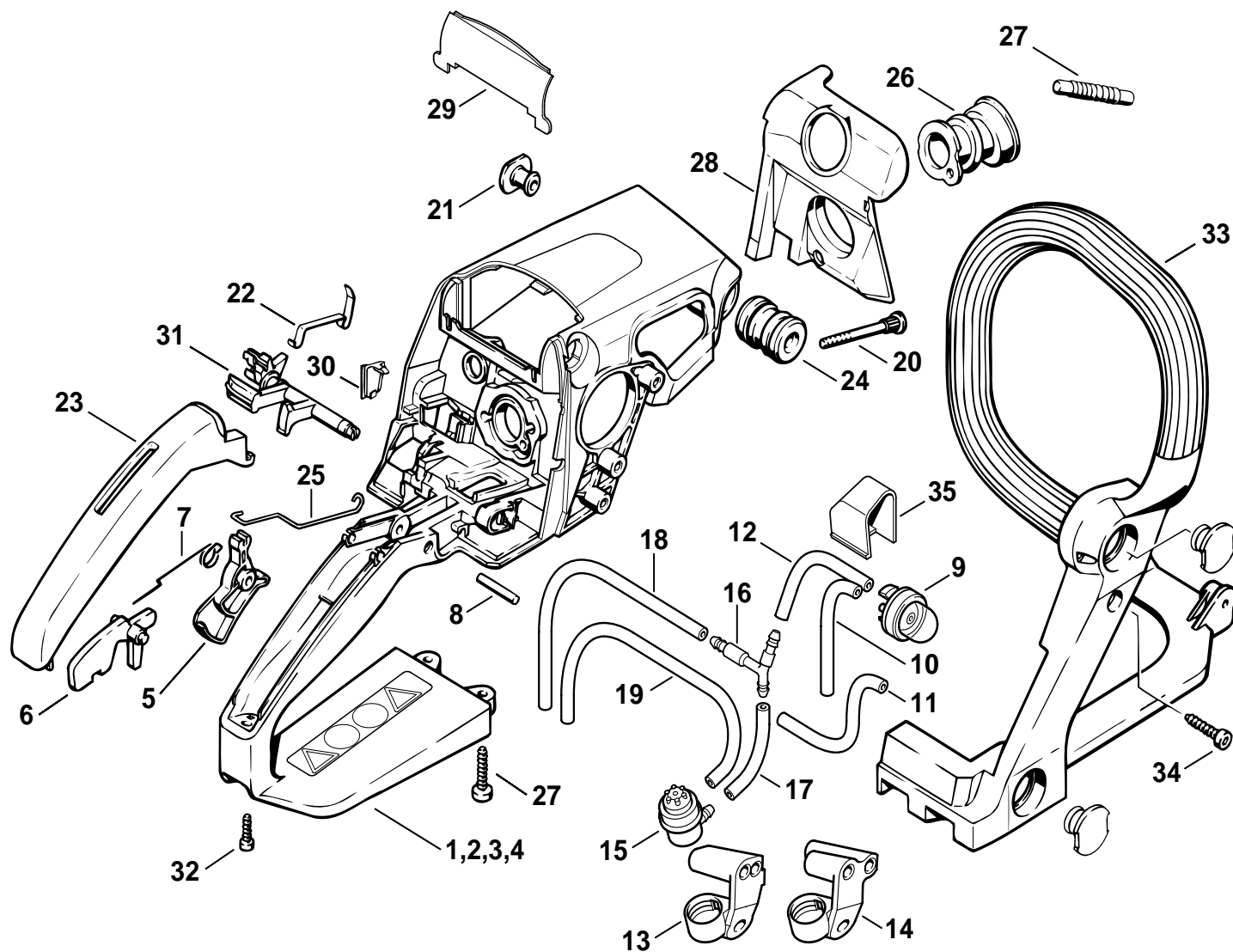


Ref. ID	Part Number			Qty.	Part Name
	1123	080	2104	1	Fan housing with rewind starter □ 1 - 11
1	1123	080	1802	1	Fan housing □ 2, 3
2	1123	967	1510	1	Model plate MS 210
2	1123	967	1511	1	Model plate MS 210 C
2	1123	967	1512	1	Model plate MS 230
2	1123	967	1513	1	Model plate MS 230 C
2	1123	967	1514	1	Model plate MS 250
2	1123	967	1515	1	Model plate MS 250 C
2	0000	967	1500	1	Nameplate STIHL
3	1110	084	9102	1	Bushing
4	1123	084	7800	1	Segment
5	1129	190	0601	1	Rewind spring
6	1123	195	0400	1	Rope rotor
7	0000	190	3402	1	Starter grip ElastoStart □ 8
8	0000	195	8200	1	Starter rope Ø 3x800mm
	0000	930	2208	1	Starter rope Ø 3mm x 30.5m (B)
9	1125	195	7200	1	Pawl
10	0000	958	0923	1	Washer
11	1118	195	3500	1	Spring
12	1121	195	3400	1	Starter grip
13	9075	478	4155	4	Pan head self-tapping screw IS D5x24
	1123	007	1009	1	Intake air preheating kit (B) □ 14, 15
14	1123	084	8201	1	Cover plate (B) □ 15
15	9099	021	2770	2	Self-tapping screw 3.9x13 (B)

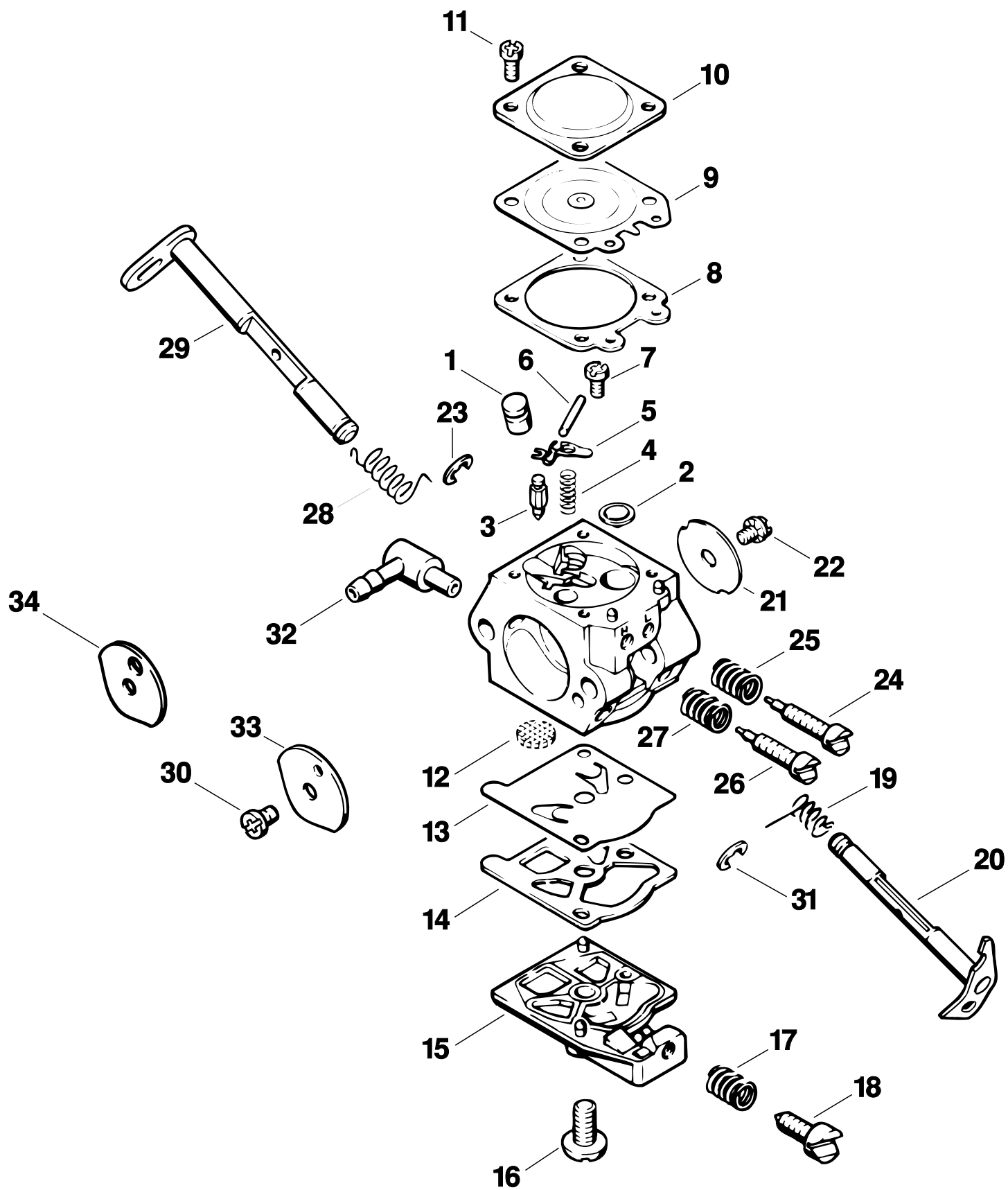


Ref. ID	Part Number	Qty.	Part Name
1	1123 141 2000	1	Shim
2	1123 129 0900	1	Gasket
3	1123 120 0605	1	Carburetor WT-215
3	1123 120 0615	1	Carburetor WT-286A Easy start version (1,2,3)
3	1123 120 0604	1	Carburetor C1Q-S77 USA, CDN (1)
3	1123 120 0603	1	Carburetor C1Q-S76 USA, CDN (3)
3	1123 120 0602	1	Carburetor C1Q-S75 USA, CDN Easy start version (3)
	1123 120 1650	1	Air filter □ 4, 5, 7
	1123 120 1651	1	Air filter, flocked □ 4, 6, 7
4		1	Filter housing (D)
5	1123 120 1612	1	Air filter
6	1123 120 1613	1	Air filter, flocked
7	9216 261 0700	2	Hexagon nut M5
8	1123 185 2000	1	Choke rod
9	1123 140 1902	1	Carburetor box cover □ 10
10	1123 141 2301	1	Twist lock
11	0000 967 3605	1	Instruction label USA

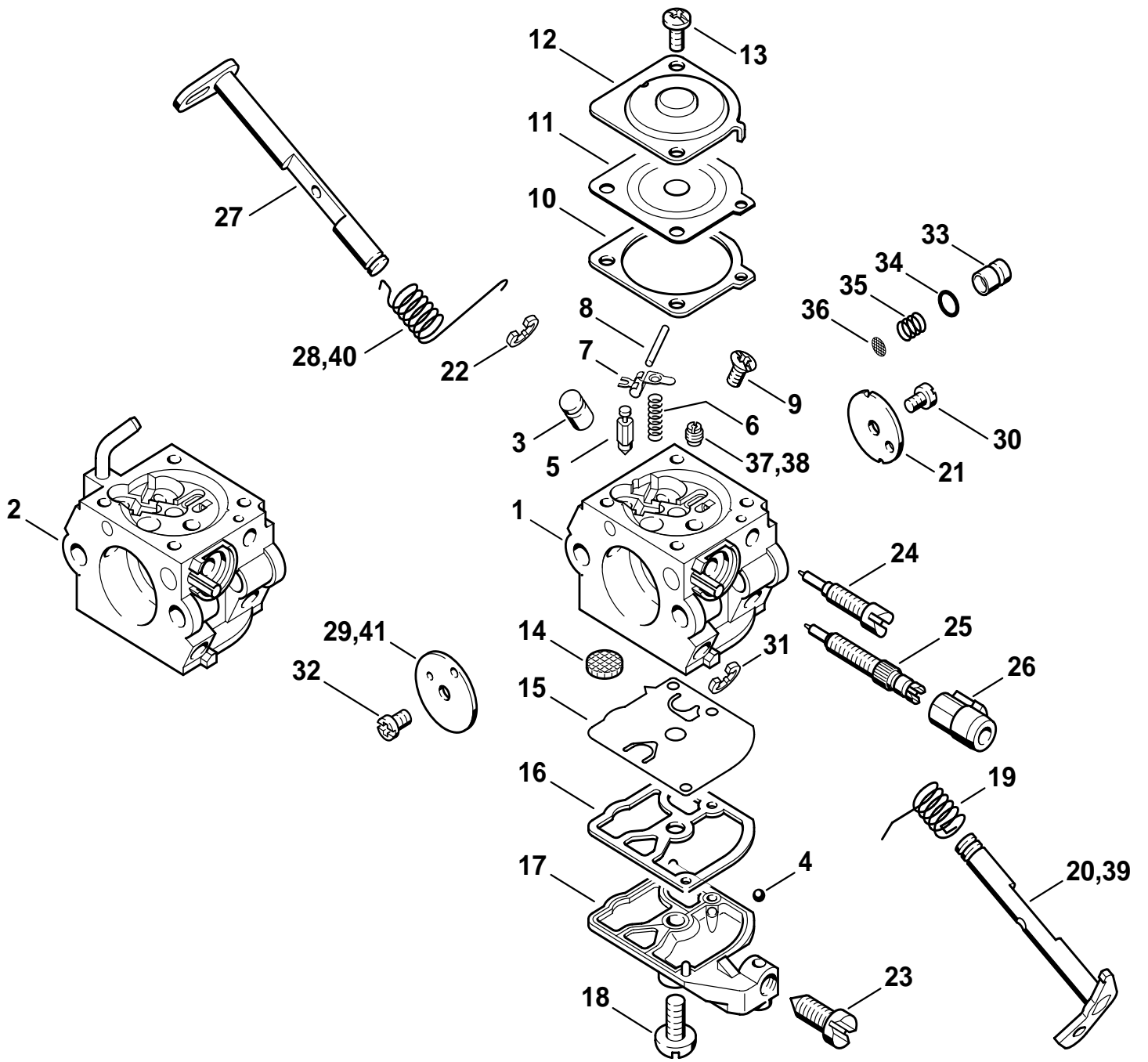
(1) MS 210, (2) MS 230, (3) MS 250



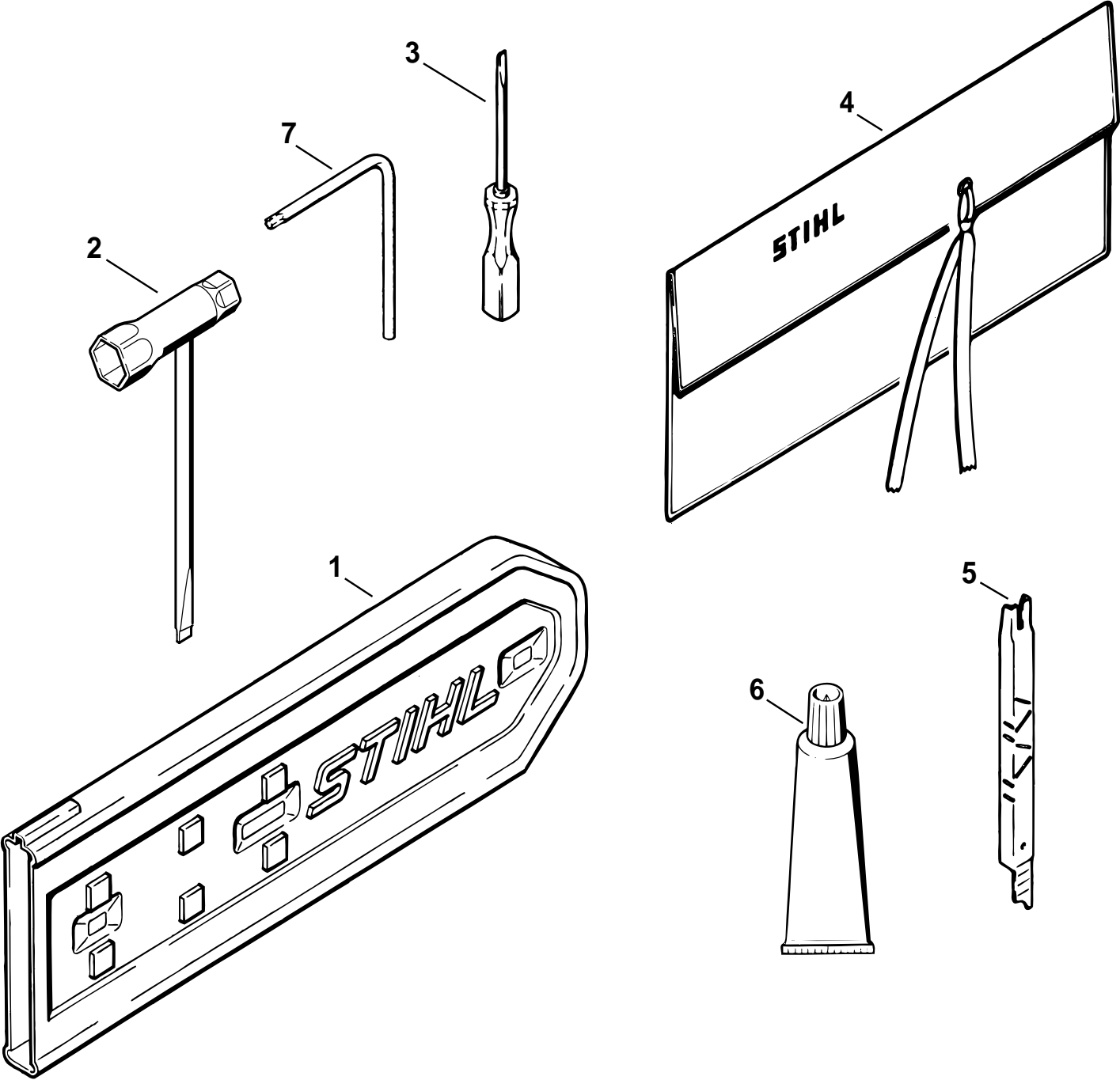
Ref. ID	Part Number			Qty.	Part Name
1	1123	790	1017	1	Handle housing □ 20
2	1123	790	1015	1	Handle housing Easy start version □ 20
3	1123	790	1004	1	Handle housing USA, CDN Easy start version □ 20
4	1123	790	1013	1	Handle housing USA □ 20
5	1128	182	1005	1	Throttle trigger
6	1117	182	0805	1	Trigger interlock
7	1117	182	4500	1	Torsion spring
8	9371	470	2640	1	Cylindrical pin 5x24
9	4130	350	6200	1	Fuel pump Easy start version
10				1	Hose 2,2x5,4x65 Easy start version
11				1	Hose 2.2x5.4x100 USA, CDN Easy start version
12				1	Hose 2.2x5.4x38 Easy start version
	0000	930	2802	1	Hose 2.2x5.4x1000
13	1123	123	7503	1	Grommet
14	1123	123	7504	1	Grommet USA
15	0000	350	5802	1	Tank vent
16	1123	353	2700	1	Connector
17				1	Hose 3.1x5.7x51mm Easy start version
18				1	Hose 3.1x5.7x106mm Easy start version
19				1	Hose 3.1x5.7x166mm
	0000	930	2803	1	Hose 3.1x5.7x1000mm
20	1125	122	6600	2	Collar screw
21	1123	791	7310	1	Plug
22	1123	442	1602	1	Contact spring
23	1123	791	0600	1	Handle molding
24	1123	791	2805	1	Annular buffer
25	1123	182	1505	1	Throttle rod
26	1123	141	2200	1	Manifold
27	1123	141	8600	1	Impulse hose
28	1123	141	5600	1	Baffle plate
29	1123	141	4001	1	Slide
30	1123	791	7500	1	Cover
31	1123	182	0901	1	Switch shaft
32	9075	478	3015	1	Pan head self-tapping screw IS D4x15
33	1123	791	1700	1	Handlebar
34	9075	478	4155	3	Pan head self-tapping screw IS D5x24
35	1123	353	7000	1	Cover Easy start version



Ref. ID	Part Number	Qty.	Part Name
	1123 120 0605	1	Carburetor WT-215 □ 1 - 33
	1123 120 0615	1	Carburetor WT-286A Easy start version □ 1 - 32, 34
1	1115 121 5401	1	Valve jet
2	4117 122 9402	1	Plug
3	4116 121 5100	1	Inlet needle
4	1120 122 3001	1	Spring
5	1113 121 5000	1	Inlet control lever
6	1113 121 9200	1	Spindle
7	1114 122 7400	1	Round head screw
8	1120 129 0900	1	Gasket
9	1113 121 4705	1	Metering diaphragm
10	1113 121 0800	1	End cover
11	1106 122 7400	4	Round head screw
12	1114 121 7800	1	Strainer
13	1121 121 4801	1	Pump diaphragm
14	1120 129 0905	1	Gasket
15	1123 121 0802	1	End cover
16	1114 122 7100	1	Screw
17	4117 122 3006	1	Spring
18	1123 122 6201	1	Idle speed adjustment screw
19	1113 122 3205	1	Torsion spring
20	1123 120 7101	1	Throttle shaft with lever
21	1123 121 3301	1	Throttle shutter
22	1115 122 7400	1	Round head screw
23	1117 122 9000	1	E-clip
24	1123 122 6801	1	Low speed adjustment screw
25	1115 122 3002	1	Spring
26	1118 122 6700	1	High speed adjustment screw
27	4117 122 3007	1	Spring
28	1123 122 3201	1	Torsion spring
29	1123 120 7201	1	Choke shaft with lever
30	1110 122 7400	1	Round head screw
31	1123 122 9000	1	E-clip
32	1123 122 3900	1	Elbow connector
33	1123 121 2901	1	Choke shutter
34	1123 121 2902	1	Choke shutter Easy start version
	1123 007 1061	1	Set of carburetor parts □ 8, 9, 13, 14



Ref. ID	Part Number	Qty.	Part Name
1	1123 120 0604	1	Carburetor C1Q-S77 (1) □ 3 - 36, 38
1	1123 120 0603	1	Carburetor C1Q-S76 (2,3) □ 3 - 37
2	1123 120 0602	1	Carburetor C1Q-S75 Easy start version (3) □ 3 - 19, 21 - 27, 30 - 37, 39 - 41
3	1123 121 5401	1	Valve jet
4	1125 122 4200	1	Ball
5	4116 121 5100	1	Inlet needle
6	1129 122 3001	1	Spring
7	1125 121 5000	1	Inlet control lever
8	1120 121 9200	1	Spindle
9	1120 122 6600	1	Collar screw
10	1123 129 0901	1	Gasket
11	1123 121 4700	1	Metering diaphragm
12	1123 121 0801	1	End cover
13	4132 122 6600	2	Collar screw
14	1123 121 7800	1	Strainer
15	1129 121 4800	1	Pump diaphragm
16	1123 129 0905	1	Gasket
17	1123 121 0800	1	End cover
18	1120 122 7800	1	Oval head screw
19	1123 122 3000	1	Spring
20	1123 120 7103	1	Throttle shaft with lever
21	1123 121 3303	1	Throttle shutter
22	1125 122 9001	1	E-clip
23	1123 122 6200	1	Idle speed adjustment screw
24	1129 122 6802	1	Low speed adjustment screw
25	1123 122 6701	1	High speed adjustment screw
26	1129 121 2701	1	Cap
27	1123 120 7200	1	Choke shaft with lever
28	1123 122 3203	1	Torsion spring
29	1132 121 2901	1	Choke shutter
30	1120 122 7400	1	Round head screw
31	1125 122 9002	1	E-clip
32	1125 122 7403	1	Round head screw
33	1132 121 5800	1	Pump piston
34	1132 122 3600	1	Sealing ring
35	1132 122 3001	1	Spring
36	1132 121 7800	1	Strainer
37	4228 121 5600	1	Fixed jet 0.43 (2,3)
38	1130 121 5604	1	Fixed jet 0.45 (1)
39	1123 120 7102	1	Throttle shaft with lever Easy start version
40	1123 122 3202	1	Torsion spring Easy start version
41	1123 121 2904	1	Choke shutter Easy start version
	1123 007 1060	1	Set of carburetor parts □ 10, 11, 15, 16 (1) MS 210, (2) MS 230, (3) MS 250



Ref. ID	Part Number	Qty.	Part Name
1	0000 792 9128	1	Chain scabbard Extras:
2	1129 890 3401	1	Combination wrench
3	0000 890 2300	1	Screwdriver
3	0000 890 2305	1	Screwdriver available in Brazil only
4	0000 891 0801	1	Tool roll
5	1110 893 4000	1	Filing gauge
6	0783 830 2000	1	Tube of sealant Dirko HT red
7	0812 370 1000	1	Screwdriver T27x120x70
	1123 900 5000	1	STIHL repair kit (A)
	0751 010 1110	1	Lead 10m / 33' (A)

