

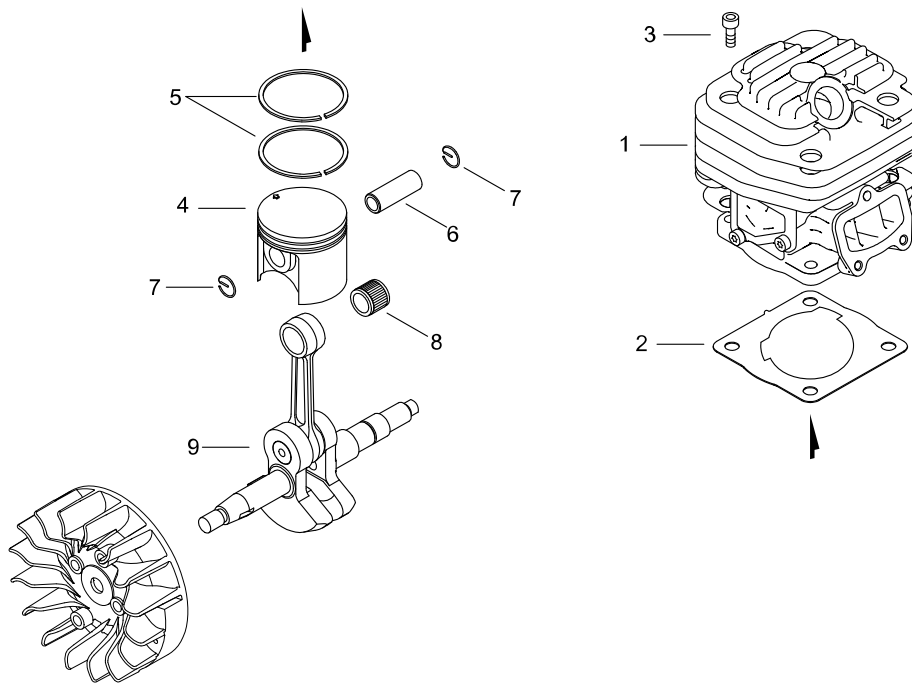


# **PARTS CATALOGUE**

## **CHAIN SAW**

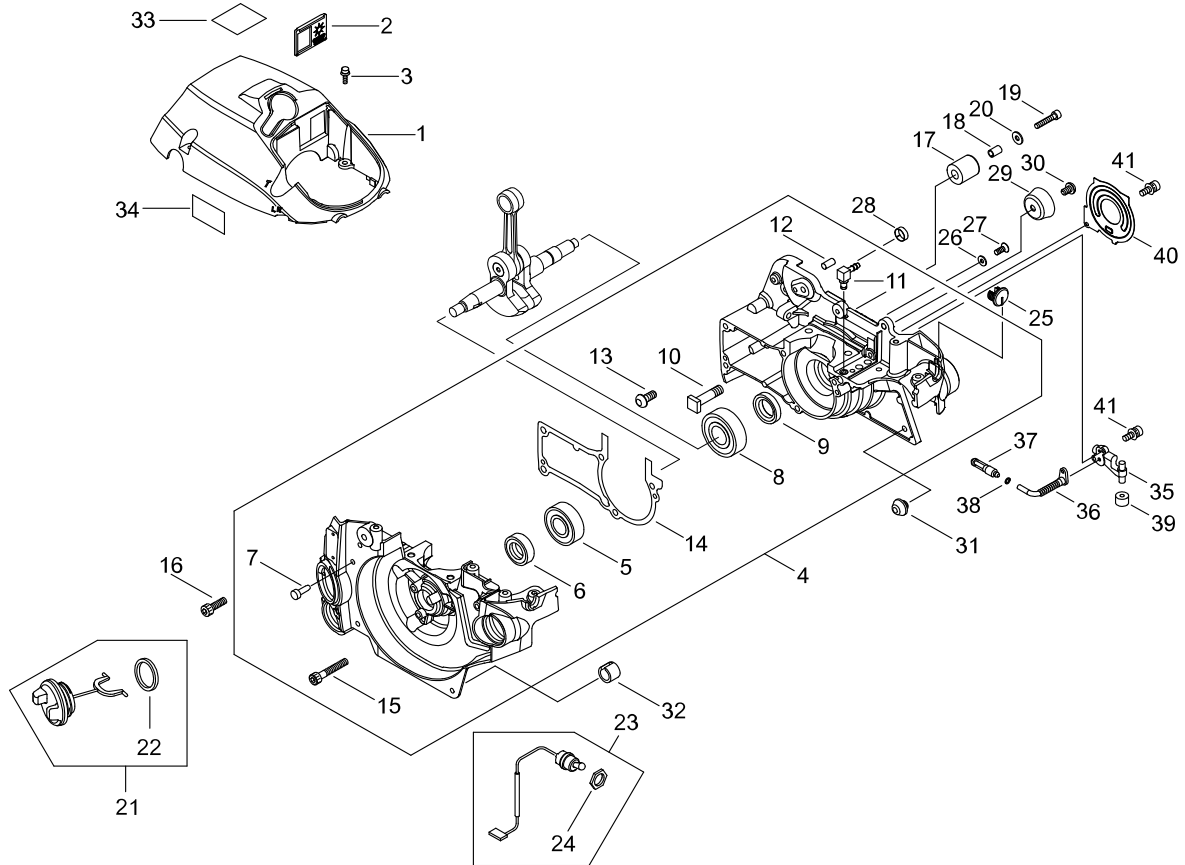
**CS-390ESX**

# 1. CYLINDER, PISTON, CRANKSHAFT



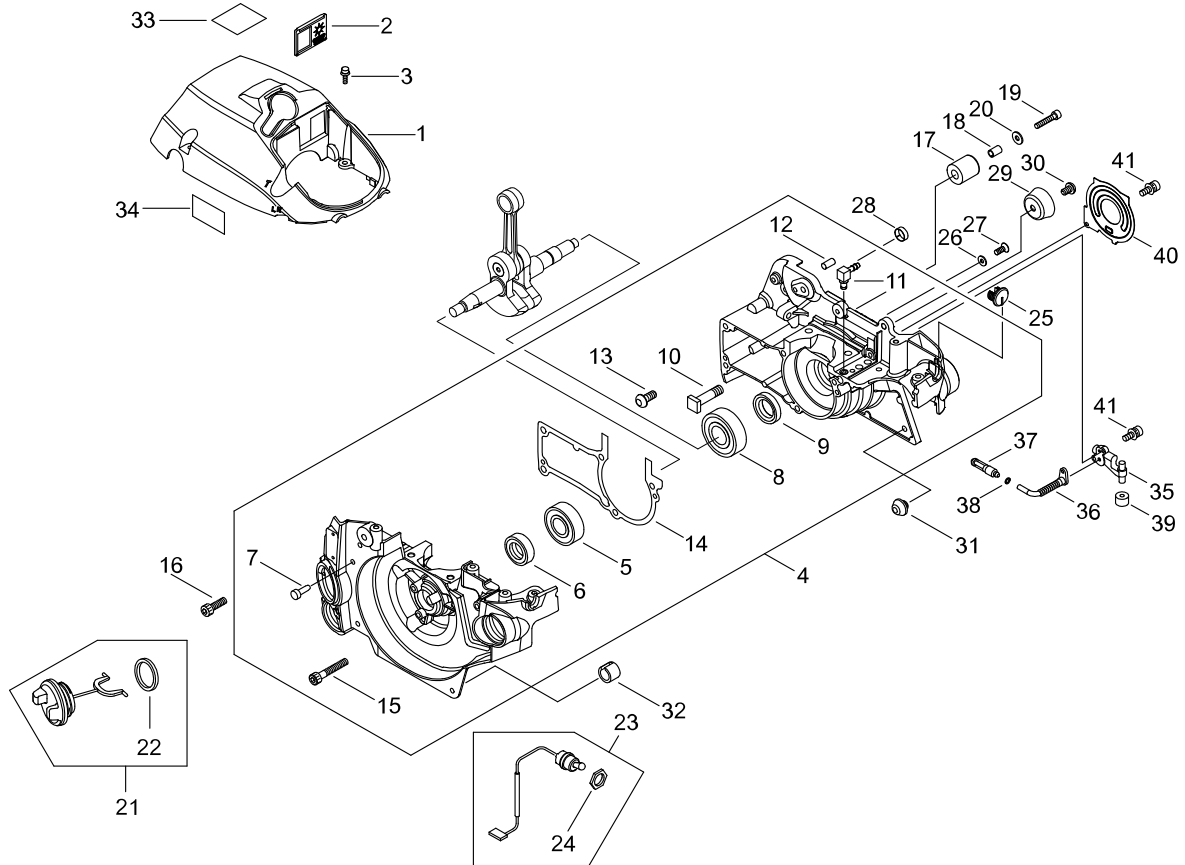
KEY	LV	PART NUMBER	Q'TY	DESCRIPTION	REMARKS	NOTE1	NOTE2
1		P021-040340	1	CYLINDER ASY			
2		V100-000750	1	GASKET,CYL			
3		900105-05018	4	BOLT, H.S. 5*18	5*18		
4		A100-001000	1	PISTON			
5		A101-000450	2	PISTON RING			
6		V608-000070	1	PIN,ENG 10	6*10*29.8		
7		V580-000010	2	RING,END	10		
8		V555-000140	1	BEARING,NEEDLE			
9		A011-000990	1	CRANK SHAFT			

## 2. ENGINE COVER



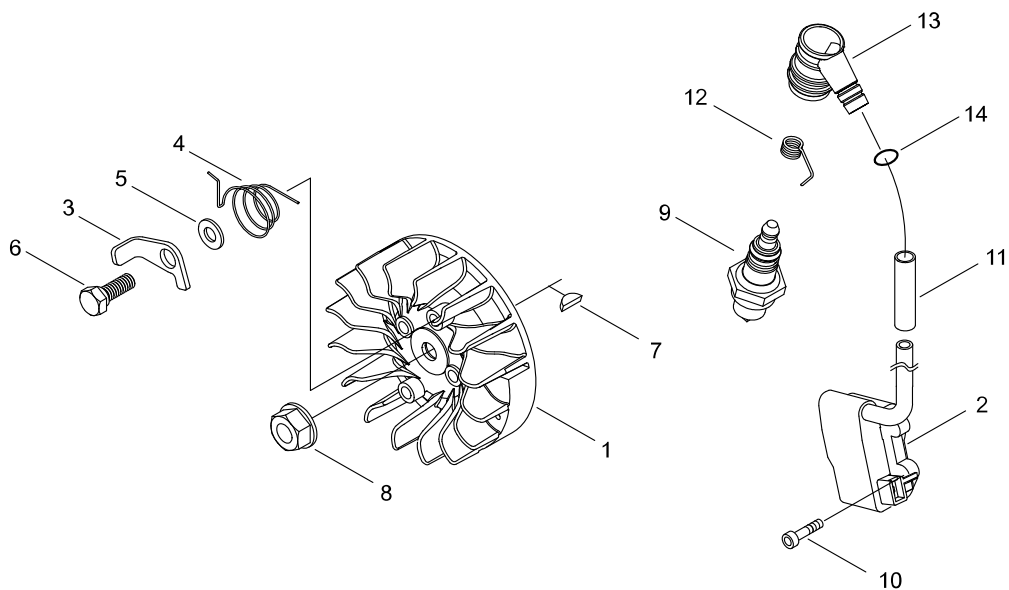
KEY	LV	PART NUMBER	Q'TY	DESCRIPTION	REMARKS	NOTE1	NOTE2
1		A160-003050	1	COVER, CYLINDER			
2		A219-000040	1	SHUTTER,AIR			
3		V202-000200	3	BOLT			
4		P021-048070	1	CRANKCASE SET			
5	+	V592-000310	1	BEARING, BALL	6001X10JRXC3		
6	+	V505-000070	1	OIL SEAL			
7	+	A356-000130	1	VALVE,CHECK			
8	+	V592-000320	1	BEARING, BALL	6002X13C3		
9	+	V508-000070	1	OIL SEAL			
10	+	V225-000150	2	BOLT,STUD			
11	+	437239-14730	1	NIPPLE			
12	+	V629-000000	2	ROLLER			
13	+	V203-001400	1	SCREW ADHESIVE			
14	+	V102-000142	1	GASKET,CRANKCASE			
15	+	V203-001450	3	BOLT			
16		900105-05016	2	BOLT, H.S. 5*16	5*16		
17		C310-000110	1	CATCHER, CHAIN			
18		V353-000460	1	BUSH			
19		900105-05030	1	BOLT, H.S. 5*30	5*30		
20		900600-00005	1	WASHER 5	5		
21		C020-000040	1	CAP			
22	+	V107-000090	1	GASKET,FUEL CAP			
23		P021-037400	1	SWITCH, ON OFF			
24	+	V266-000090	1	NUT,10			
25		V141-000100	1	PLUG			

## 2. ENGINE COVER



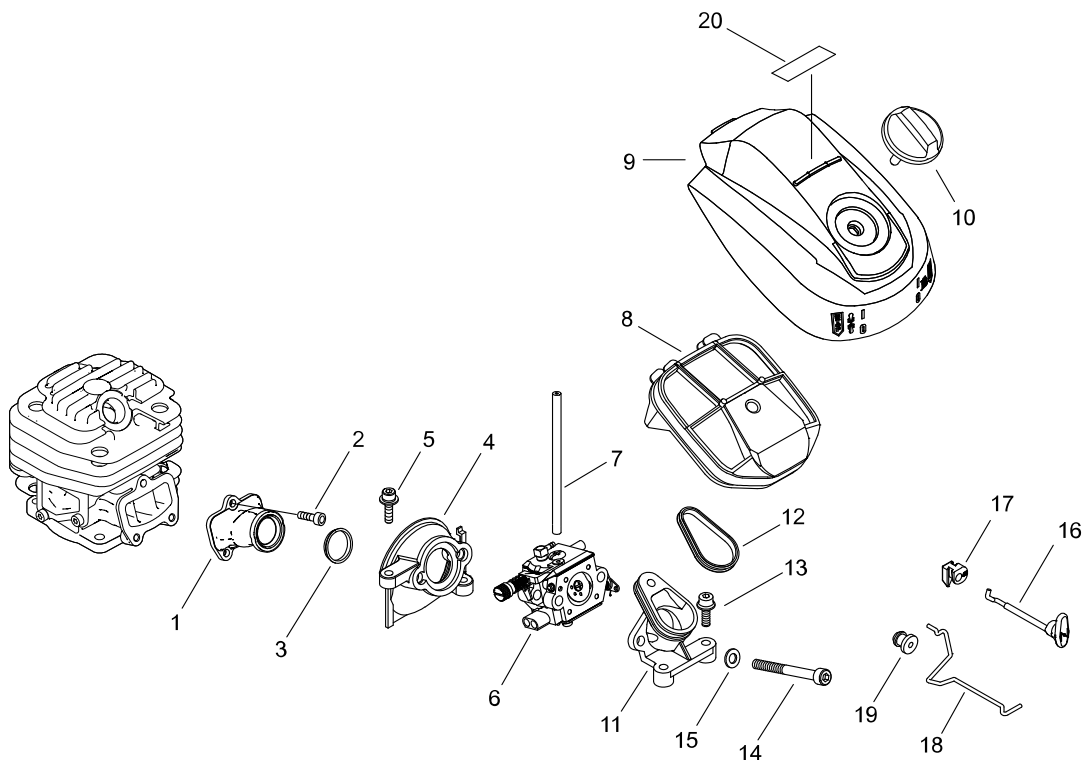
KEY	LV	PART NUMBER	Q'TY	DESCRIPTION	REMARKS	NOTE1	NOTE2
26		900603-00004	1	WASHER 4	4.5*10*0.8		
27		900212-04008	1	SCREW 4*8	+SF4*8		
28		V355-000460	1	COLLAR,8			
29		V423-000080	1	MOUNT HOLDER			
30		91142-05008	1	SCREW BUTTON			
31		V420-002770	1	CUSHION			
32		V420-002740	1	SUPPORTER			
33		890345-39231	1	LABEL,CAUTION			
34		X532-003210	1	LABEL,OPERATION			
35		C022-000121	1	AUTO-OILER ASSEMBLY			
36		V470-001840	1	PIPE			
37		C209-000070	1	STRAINER,OIL			
38		V490-000500	1	CLIP			
39		C211-000010	1	ELEMENT			
40		C236-000060	1	COVER,OILER			
41		V202-000520	3	BOLT,4			

### 3. MAGNETO



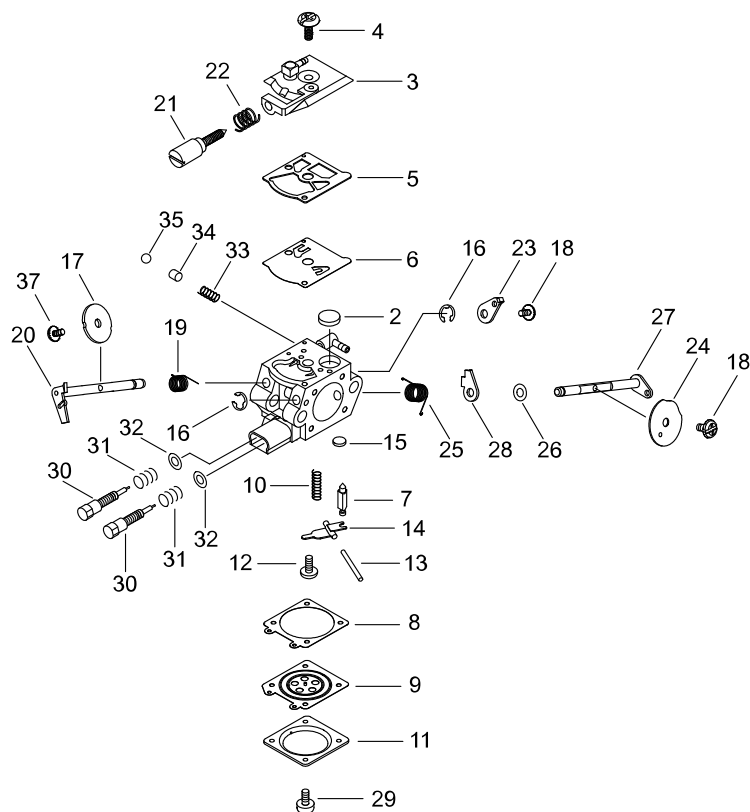
KEY	LV	PART NUMBER	Q'TY	DESCRIPTION	REMARKS	NOTE1	NOTE2
1		A409-001151	1	ROTOR,MAGNETO			
2		P021-037431	1	COIL, IGNITION			
3		A514-000220	2	PAWL			
4		V452-000870	2	SPRING,TORSION			
5		V304-000270	2	WASHER,CIRCULAR 6			
6		V204-000620	2	BOLT			
7		93115-03010	1	KEY	3*10		
8		V265-000220	1	NUT			
9		A425-000000	1	SPARKPLUG	BPMR8Y		
10		V202-000540	2	BOLT,4			
11		V475-005180	1	TUBE			
12		A426-000040	1	TERMINAL,SPARKPLUG			
13		A427-000160	1	PLUG CAP			
14		900720-20007	1	O-RING 7	P-7		

## 4. AIR CLEANER, CARBURETOR



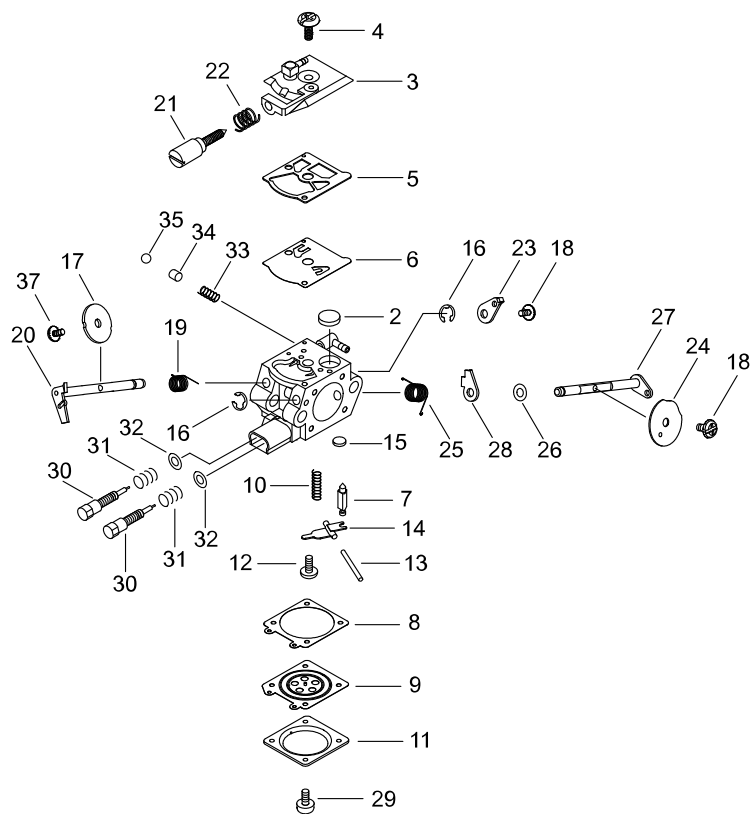
KEY	LV	PART NUMBER	Q'TY	DESCRIPTION	REMARKS	NOTE1	NOTE2
1		A202-000240	1	BELLOWS, INTAKE			
2		V202-000350	3	BOLT-SPW	M4-14		
3		V359-000380	1	COLLAR,16			
4		A200-000852	1	INSULATOR, INTAKE			
5		V202-000200	2	BOLT			
6		A021-003812	1	CARBURETOR,DIAPHRAGM			
7		132010-56030	1	PIPE 3*6*110	3*6*110 NBR		
8		A226-001580	1	ELEMENT,AIR FILTER	250メッシュ		
9		A232-001770	1	LID, CLEANER			
10		A235-000270	1	KNOB,CLEANER LID			
11		A204-000220	1	ELBOW, CARBURETOR			
12		V581-000280	1	GASKET			
13		V202-000200	2	BOLT			
14		91100-05048	2	BOLT			
15		900600-00005	2	WASHER 5	5		
16		A240-000111	1	ROD, CHOKE			
17		V130-000170	1	GROMMET,CHOKE			
18		C454-000280	1	ROD,THROTTLE			
19		V133-000040	1	GROMMET			
20		X503-013050	1	LABEL, MODEL			

# 5. CARBURETOR



KEY	LV	PART NUMBER	Q'TY	DESCRIPTION	REMARKS	NOTE1	NOTE2
		A021-003812	1	CARBURETOR,DIAPHRAGM			
2	+	123126-10631	1	SCREEN, INLET			
3	+	P003-004960	1	PUMP COVER ASSY			
4	+	123110-03930	1	SCREW, PUMP COVER			
5	+	123125-15030	1	GASKET, FUEL PUMP			
6	+	123112-15030	1	DIAPHRAGM, FUEL PUMP			
7	+	123137-19830	1	VALVE, INLET NEEDLE			
8	+	123140-03930	1	GASKET, M. DIAPHRAGM			
9	+	P003-001850	1	DIAPHRAGM, METERING			
10	+	123122-39830	1	SPRING, METER. LEVER			
11	+	123142-03930	1	COVER, M. DIAPHRAGM			
12	+	123139-03930	1	SCREW, M. LEVER PIN			
13	+	123138-03930	1	PIN, METERING LEVER			
14	+	123123-03930	1	LEVER, METERING			
15	+	123146-10631	1	PLUG, WELCH			
16	+	123127-15030	2	RING			
17	+	123116-10530	1	VALVE, THROTTLE			
18	+	123114-38830	2	SCREW			
19	+	123113-37530	1	SPRING, THROTTLE RTN			
20	+	P003-005230	1	SHAFT ASY,THROTTLE			
21	+	P003-004470	1	SCREW			
22	+	123133-04260	1	SPRING, IDLE ADJUST			
23	+	P003-003180	1	THROTTLE LEVER			
24	+	123132-37330	1	VALVE, CHOKE			
25	+	P003-002260	1	SPRING			

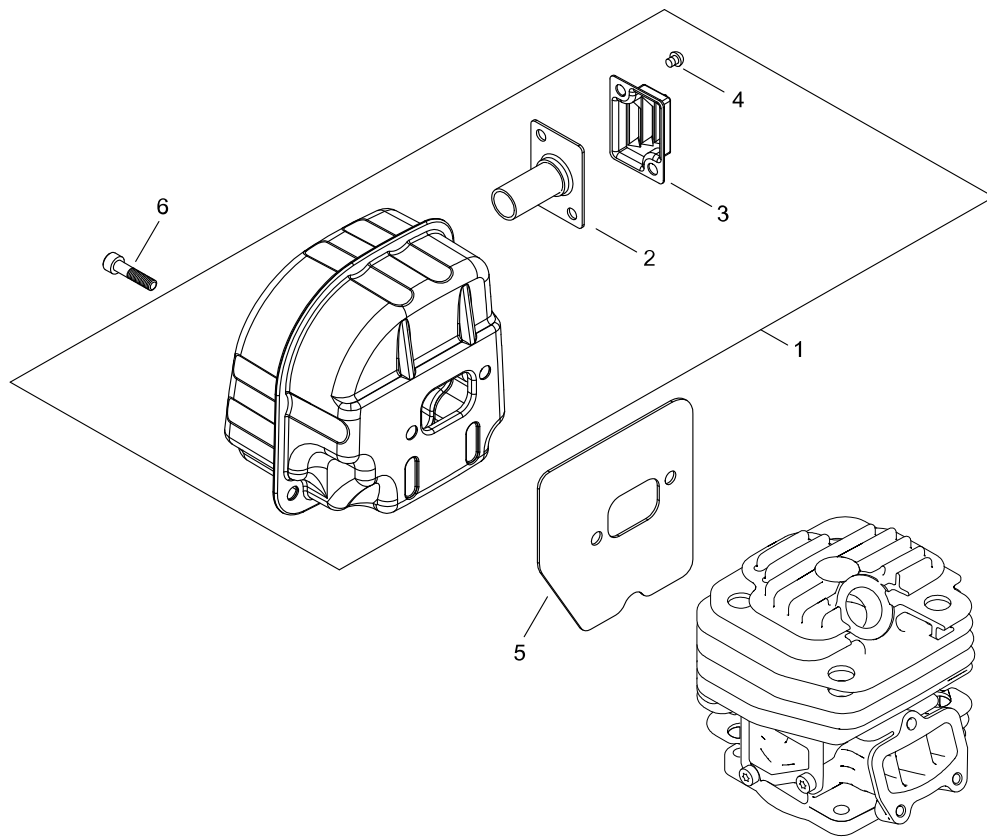
# 5. CARBURETOR



KEY	LV	PART NUMBER	Q'TY	DESCRIPTION	REMARKS	NOTE1	NOTE2
26	+	123149-26030	1	WASHER			
27	+	P003-003190	1	SHAFT			
28	+	P003-001510	1	LEVER-FAST IDLE			
29	+	123130-02960	4	SCREW			
30	+	P003-004970	2	NEEDLE, HIGH SPEED			
31	+	123121-22130	2	SPRING, NEEDLE			
32	+	123149-39130	2	WASHER			
33	+	123186-09660	1	SPRING, START VALVE			
34	+	123185-09660	1	PISTON ASSY			
35	+	123136-09660	1	BALL			
37	+	P003-002380	1	SCREW			

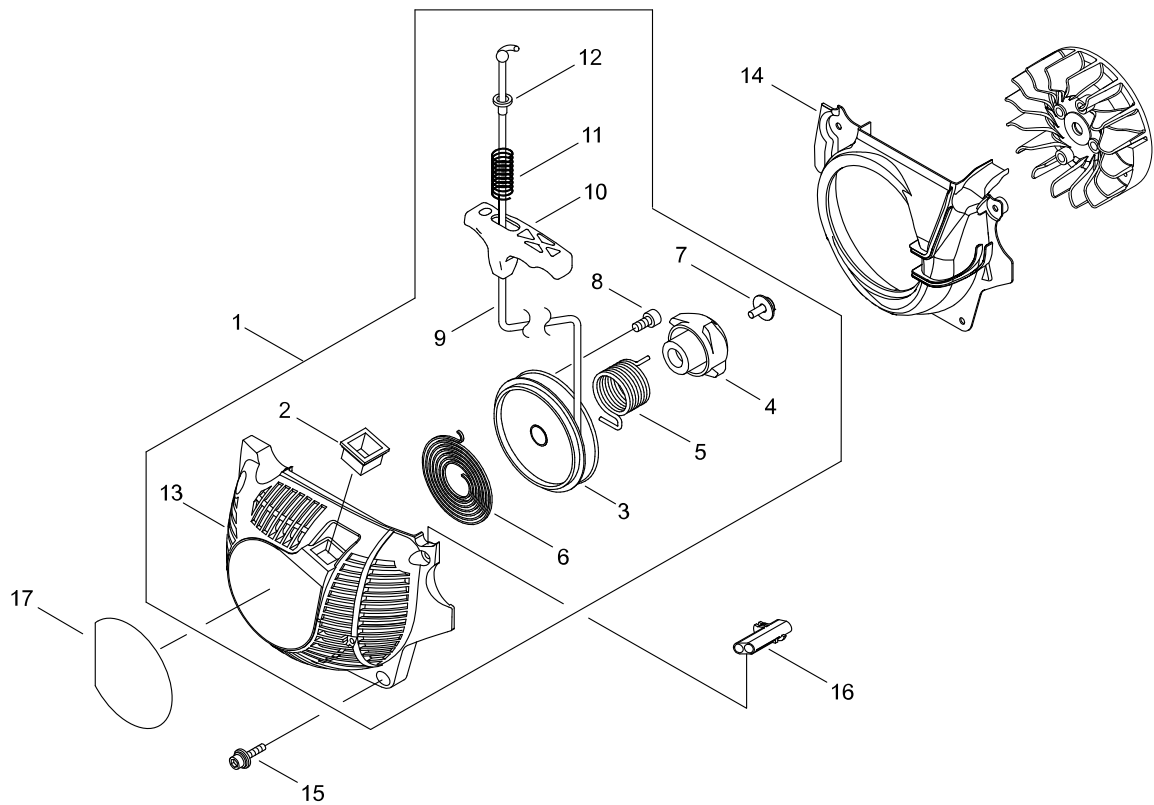


## 6. MUFFLER



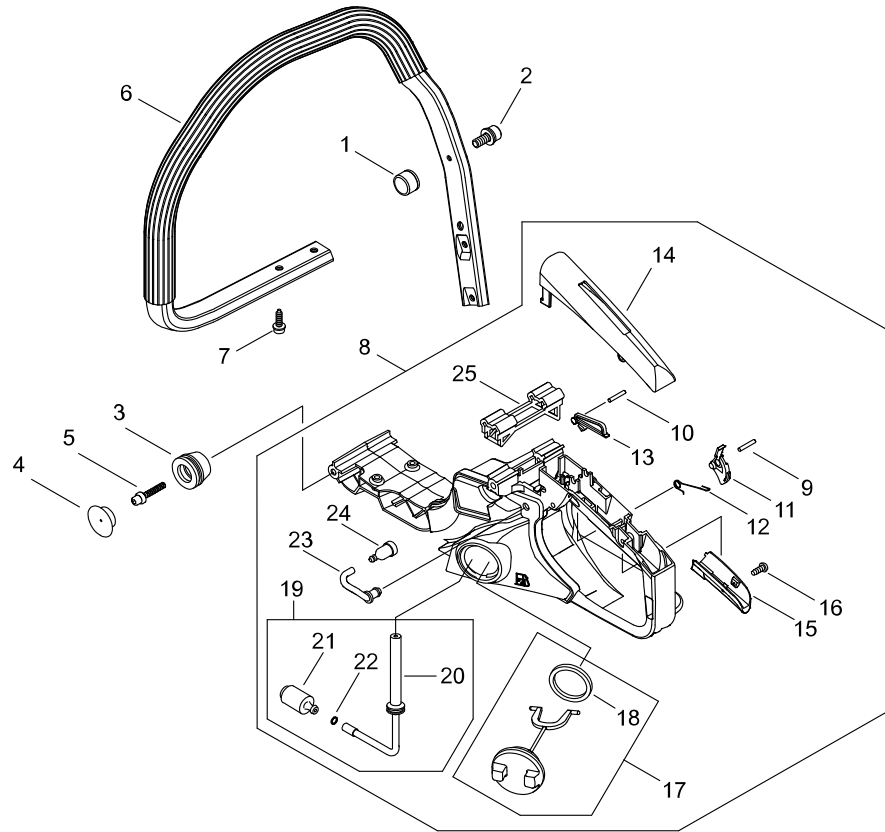
KEY	LV	PART NUMBER	Q'TY	DESCRIPTION	REMARKS	NOTE1	NOTE2
1		A030-000421	1	MUFFLER ASY			
2	+	A313-001481	1	GUIDE, EXHAUST			
3	+	A313-001460	1	TAIL PLATE			
4	+	91578-04006	2	SCREW			
5		V104-001581	1	GASKET, EXHAUST			
6		V203-001880	4	BOLT, 5			

## 7. RECOIL STARTER



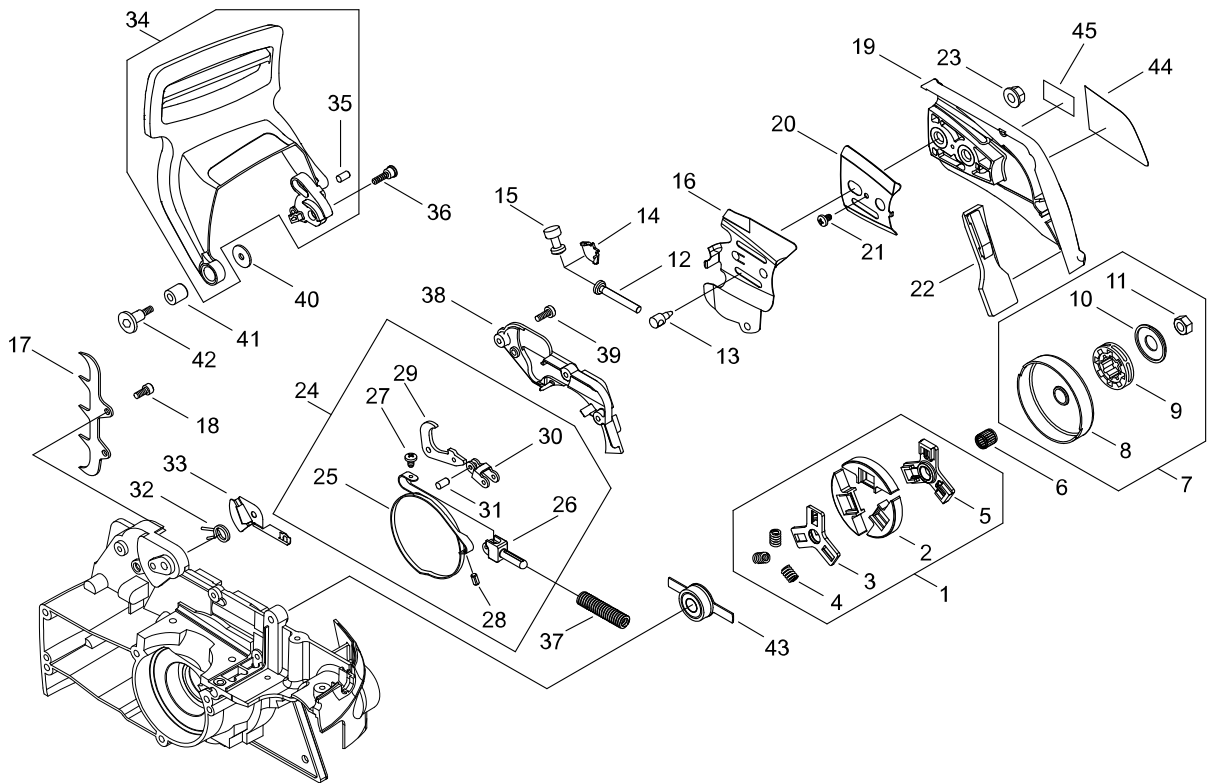
KEY	LV	PART NUMBER	Q'TY	DESCRIPTION	REMARKS	NOTE1	NOTE2
1		A051-002321	1	STARTER,RECOIL			
2	+	A510-000130	1	GUIDE,ROPE			
3	+	P022-036740	1	DRUM, STARTER			
4	+	P022-036750	1	PLATE, CAM			
5	+	P022-036760	1	SPRING,DAMPER			
6	+	P022-006250	1	SPRING,SPIRAL			
7	+	P022-004630	1	SCREW			
8	+	P022-036770	1	BOLT HSH			
9	+	P022-035130	1	ROPE			
10	+	P022-036780	1	GRIP, STARTER			
11	+	V450-001170	1	SPRING,COMPRESSION			
12	+	V376-001400	1	SPACER			
13	+	P022-038520	1	STARTER CASE			
14		A172-001870	1	COVER,FAN			
15		V202-000200	4	BOLT			
16		V131-000111	1	GROMMET,NEEDLE			
17		X502-000760	1	LABEL,ECHO			

## 8. HANDLE



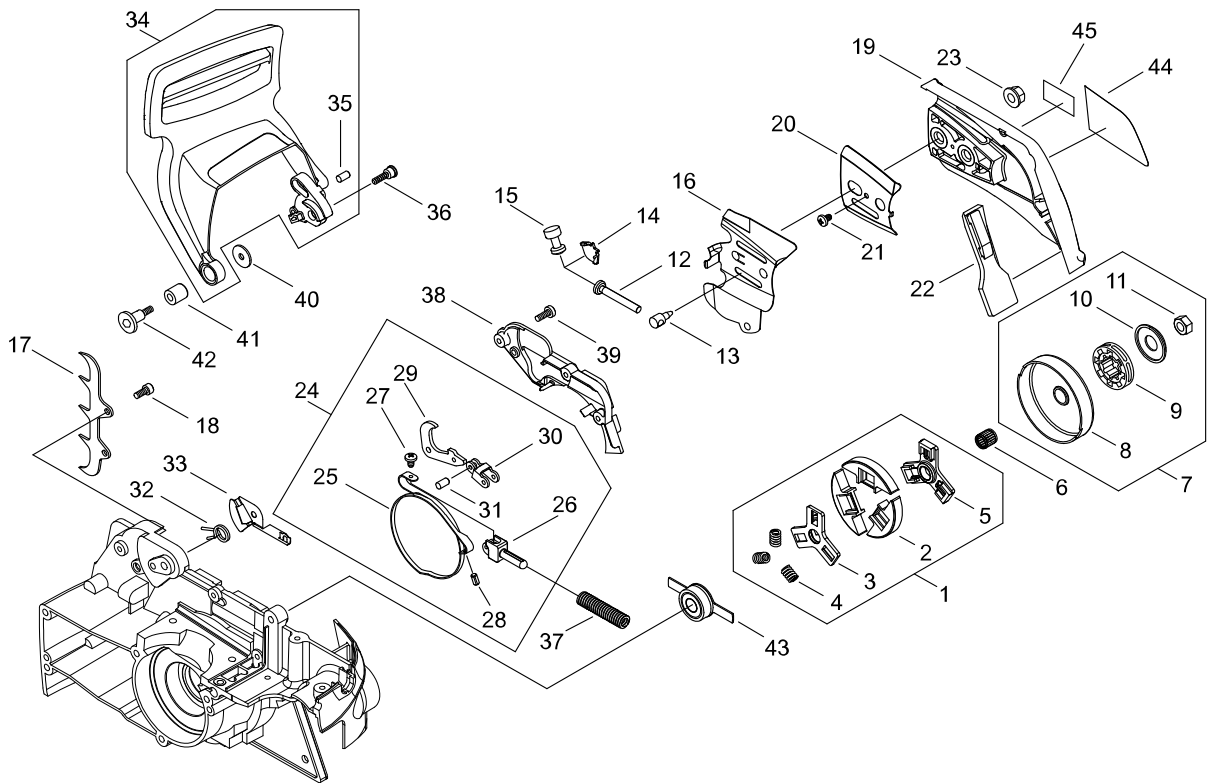
KEY	LV	PART NUMBER	Q'TY	DESCRIPTION	REMARKS	NOTE1	NOTE2
1		V400-000080	1	CUSHION			
2		V202-000260	1	BOLT,4			
3		V401-000290	4	CUSHION			
4		V421-000070	4	CAP,CUSHION			
5		V203-001480	4	BOLT			
6		C040-000511	1	HANDLE, FRONT			
7		V203-001490	4	BOLT TAPPING			
8		P021-048080	1	HANDLE ASY, REAR			
9	+	93060-40250	1	PIN, SPRING			
10	+	93042-40220	1	PIN, SPRING			
11	+	C450-000641	1	CONTROL, THROTTLE			
12	+	V452-000850	1	SPRING,TORSION			
13	+	C460-000390	1	LOCKOUT,THROTTLE			
14	+	C411-000170	1	LID,HANDLE			
15	+	C403-000530	1	GRIP			
16	+	91449-04022	1	SCREW TAPPING			
17	+	A033-000370	1	CAP ASSY			
18	++	V107-000070	1	GASKET			
19	+	P021-035121	1	FUEL PIPE			
20	++	V470-001520	1	PIPE			
21	++	131205-19832	1	STRAINER, FUEL			
22	++	V490-000500	1	CLIP			
23	+	V470-001530	1	PIPE			
24	+	131300-56431	1	VENT ASSEMBLY, FUEL			
25	+	V420-002810	1	STOPPER			

# 9. CHAIN BRAKE



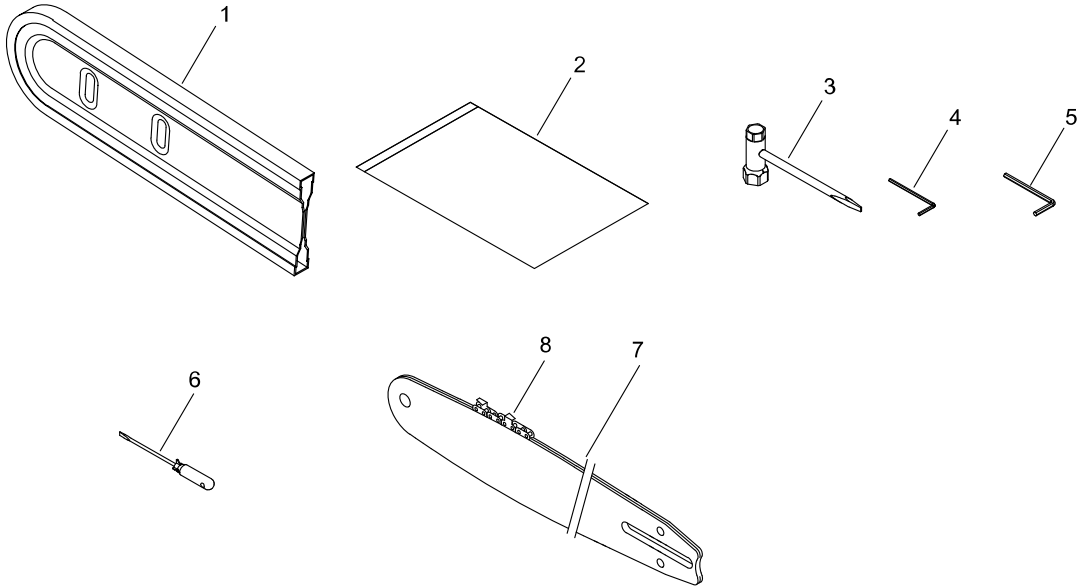
KEY	LV	PART NUMBER	Q'TY	DESCRIPTION	REMARKS	NOTE1	NOTE2
1		A056-000610	1	ASM,CLUCH			
2	+	A555-000210	3	SHOE,CLUTCH			
3	+	A552-000230	1	HUB,CLUTCH			
4	+	V451-000930	3	SPRING			
5	+	A552-000240	1	HUB, CLUTCH			
6		V555-000150	1	BEARING,NEEDLE			
7		P021-026703	1	CLUTCH DRUM SET			
8	+	A556-001121	1	DRUM, CLUTCH			
9	+	175114-12530	1	SPROCKET, RIM .325			
10	+	V307-000451	1	WASHER,CIRCULAR 10			
11	+	V265-000211	1	NUT,8			
12		V253-000610	1	SCREW			
13		C309-000110	1	TENSIONER,CHAIN			
14		V152-002430	1	GUIDE			
15		V651-000790	1	GEAR,BEVEL			
16		C305-000440	1	PLATE,SPROCKET GUARD			
17		C304-000200	1	SPIKED			
18		900105-05012	2	BOLT, H.S. 5*12	5*12		
19		C300-001050	1	GUARD, SPROCKET			
20		C305-000260	1	PLATE,SPROCKET GUARD			
21		900253-04008	1	SCREW 4*8	4*8		
22		C302-000030	1	PROTECTOR			
23		V265-000200	2	NUT			
24		C328-000210	1	BAND,BRAKE			
25	+	C328-000220	1	BAND,BRAKE			

# 9. CHAIN BRAKE



KEY	LV	PART NUMBER	Q'TY	DESCRIPTION	REMARKS	NOTE1	NOTE2
26	+	C334-000180	1	CONNECTOR,BRAKE			
27	+	91381-04010	1	SCREW TAPPING			
28	+	93042-40100	1	PIN, SPRING			
29	+	C334-000190	1	CONNECTOR, BRAKE			
30	+	C334-000200	1	CONNECTOR,BRAKE			
31	+	900330-30120	2	PIN	3*12		
32		V452-000860	1	SPRING,TORSION			
33		C347-000010	1	PLATE,BRAKE SEAL			
34		P021-026383	1	GUARD COMP			
35	+	900330-40080	1	PIN F 4*8	4*8		
36		V203-001470	1	BOLT,ADHESIVE			
37		V450-001160	1	SPRING,COIL			
38		C345-000610	1	COVER, BRAKE			
39		V202-000490	3	BOLT			
40		V303-000320	1	WASHER,CIRCULAR 5			
41		J211-000430	1	BUSH			
42		V203-001410	1	BOLT ADHESIVE			
43		P021-023110	1	GEAR			
44		X502-000770	1	LABEL,ECHO			
45		890316-39131	1	LABEL, CAUTION			

# 10. ACCESSORIES



KEY	LV	PART NUMBER	Q'TY	DESCRIPTION	REMARKS	NOTE1	NOTE2
1		X490-000570	1	SCABBARD,CHAIN			
2		X705-000130	1	POLY BAG			
3		X602-000150	1	PLUG WRENCH			
4		X605-000090	1	HEXA WRENCH 4MM			
5		X605-000100	1	TOOL,L WRENCH	4MM M5		
6		895812-03930	1	DRIVER, SCREW 50			
7		X123-000580	1	BAR, GUIDE 35			
8		X243-000000	1	CHAIN,SAW	95VPX-64E		

**Index**

<b>Patrs Number</b>	<b>Key No.</b>	<b>Patrs Number</b>	<b>Key No.</b>	<b>Patrs Number</b>	<b>Key No.</b>
123110-03930	5 - 4	91578-04006	6 - 4	C310-000110	2 - 17
123112-15030	5 - 6	93042-40100	9 - 28	C328-000210	9 - 24
123113-37530	5 - 19	93042-40220	8 - 10	C328-000220	9 - 25
123114-38830	5 - 18	93060-40250	8 - 9	C334-000180	9 - 26
123116-10530	5 - 17	93115-03010	3 - 7	C334-000190	9 - 29
123121-22130	5 - 31	A011-000990	1 - 9	C334-000200	9 - 30
123122-39830	5 - 10	A021-003812	4 - 6	C345-000610	9 - 38
123123-03930	5 - 14	A021-003812	5 -	C347-000010	9 - 33
123125-15030	5 - 5	A030-000421	6 - 1	C403-000530	8 - 15
123126-10631	5 - 2	A033-000370	8 - 17	C411-000170	8 - 14
123127-15030	5 - 16	A051-002321	7 - 1	C450-000641	8 - 11
123130-02960	5 - 29	A056-000610	9 - 1	C454-000280	4 - 18
123132-37330	5 - 24	A100-001000	1 - 4	C460-000390	8 - 13
123133-04260	5 - 22	A101-000450	1 - 5	J211-000430	9 - 41
123136-09660	5 - 35	A160-003050	2 - 1	P003-001510	5 - 28
123137-19830	5 - 7	A172-001870	7 - 14	P003-001850	5 - 9
123138-03930	5 - 13	A200-000852	4 - 4	P003-002260	5 - 25
123139-03930	5 - 12	A202-000240	4 - 1	P003-002380	5 - 37
123140-03930	5 - 8	A204-000220	4 - 11	P003-003180	5 - 23
123142-03930	5 - 11	A219-000040	2 - 2	P003-003190	5 - 27
123146-10631	5 - 15	A226-001580	4 - 8	P003-004470	5 - 21
123149-26030	5 - 26	A232-001770	4 - 9	P003-004960	5 - 3
123149-39130	5 - 32	A235-000270	4 - 10	P003-004970	5 - 30
123185-09660	5 - 34	A240-000111	4 - 16	P003-005230	5 - 20
123186-09660	5 - 33	A313-001460	6 - 3	P021-023110	9 - 43
131205-19832	8 - 21	A313-001481	6 - 2	P021-026383	9 - 34
131300-56431	8 - 24	A356-000130	2 - 7	P021-026703	9 - 7
132010-56030	4 - 7	A409-001151	3 - 1	P021-035121	8 - 19
175114-12530	9 - 9	A425-000000	3 - 9	P021-037400	2 - 23
437239-14730	2 - 11	A426-000040	3 - 12	P021-037431	3 - 2
890316-39131	9 - 45	A427-000160	3 - 13	P021-040340	1 - 1
890345-39231	2 - 33	A510-000130	7 - 2	P021-048070	2 - 4
895812-03930	10 - 6	A514-000220	3 - 3	P021-048080	8 - 8
900105-05012	9 - 18	A552-000230	9 - 3	P022-004630	7 - 7
900105-05016	2 - 16	A552-000240	9 - 5	P022-006250	7 - 6
900105-05018	1 - 3	A555-000210	9 - 2	P022-035130	7 - 9
900105-05030	2 - 19	A556-001121	9 - 8	P022-036740	7 - 3
900212-04008	2 - 27	C020-000040	2 - 21	P022-036750	7 - 4
900253-04008	9 - 21	C022-000121	2 - 35	P022-036760	7 - 5
900330-30120	9 - 31	C040-000511	8 - 6	P022-036770	7 - 8
900330-40080	9 - 35	C209-000070	2 - 37	P022-036780	7 - 10
900600-00005	2 - 20	C211-000010	2 - 39	P022-038520	7 - 13
900600-00005	4 - 15	C236-000060	2 - 40	V100-000750	1 - 2
900603-00004	2 - 26	C300-001050	9 - 19	V102-000142	2 - 14
900720-20007	3 - 14	C302-000030	9 - 22	V104-001581	6 - 5
91100-05048	4 - 14	C304-000200	9 - 17	V107-000070	8 - 18
91142-05008	2 - 30	C305-000260	9 - 20	V107-000090	2 - 22
91381-04010	9 - 27	C305-000440	9 - 16	V130-000170	4 - 17
91449-04022	8 - 16	C309-000110	9 - 13	V131-000111	7 - 16

**Index**

<b>Patrs Number</b>	<b>Key No.</b>	<b>Patrs Number</b>	<b>Key No.</b>	<b>Patrs Number</b>	<b>Key No.</b>
V133-000040	4 - 19	V475-005180	3 - 11		
V141-000100	2 - 25	V490-000500	2 - 38		
V152-002430	9 - 14	V490-000500	8 - 22		
V202-000200	2 - 3	V505-000070	2 - 6		
V202-000200	4 - 5	V508-000070	2 - 9		
V202-000200	4 - 13	V555-000140	1 - 8		
V202-000200	7 - 15	V555-000150	9 - 6		
V202-000260	8 - 2	V580-000010	1 - 7		
V202-000350	4 - 2	V581-000280	4 - 12		
V202-000490	9 - 39	V592-000310	2 - 5		
V202-000520	2 - 41	V592-000320	2 - 8		
V202-000540	3 - 10	V608-000070	1 - 6		
V203-001400	2 - 13	V629-000000	2 - 12		
V203-001410	9 - 42	V651-000790	9 - 15		
V203-001450	2 - 15	X123-000580	10 - 7		
V203-001470	9 - 36	X243-000000	10 - 8		
V203-001480	8 - 5	X490-000570	10 - 1		
V203-001490	8 - 7	X502-000760	7 - 17		
V203-001880	6 - 6	X502-000770	9 - 44		
V204-000620	3 - 6	X503-013050	4 - 20		
V225-000150	2 - 10	X532-003210	2 - 34		
V253-000610	9 - 12	X602-000150	10 - 3		
V265-000200	9 - 23	X605-000090	10 - 4		
V265-000211	9 - 11	X605-000100	10 - 5		
V265-000220	3 - 8	X705-000130	10 - 2		
V266-000090	2 - 24				
V303-000320	9 - 40				
V304-000270	3 - 5				
V307-000451	9 - 10				
V353-000460	2 - 18				
V355-000460	2 - 28				
V359-000380	4 - 3				
V376-001400	7 - 12				
V400-000080	8 - 1				
V401-000290	8 - 3				
V420-002740	2 - 32				
V420-002770	2 - 31				
V420-002810	8 - 25				
V421-000070	8 - 4				
V423-000080	2 - 29				
V450-001160	9 - 37				
V450-001170	7 - 11				
V451-000930	9 - 4				
V452-000850	8 - 12				
V452-000860	9 - 32				
V452-000870	3 - 4				
V470-001520	8 - 20				
V470-001530	8 - 23				
V470-001840	2 - 36				



# YAMABIKO CORPORATION

7-2 SUEHIROCHO 1-CHOME, OHME, TOKYO 198-8760, JAPAN  
PHONE: 81-428-32-6118. FAX: 81-428-32-6145.

